



US00D430603S

United States Patent [19]

Maeda et al.

[11] Patent Number: **Des. 430,603**

[45] Date of Patent: **** Sep. 5, 2000**

[54] **INK CARTRIDGE FOR INK JET PRINTER**

[75] Inventors: **Hiroyuki Maeda**, Yokohama; **Iwao Kawamura**, Kunitachi; **Kazunori Namai**, Yokohama; **Takuya Yasumitsu**, Kawasaki, all of Japan

[73] Assignee: **Canon Kabushiki Kaisha**, Tokyo, Japan

[**] Term: **14 Years**

[21] Appl. No.: **29/113,677**

[22] Filed: **Nov. 10, 1999**

[30] **Foreign Application Priority Data**

May 14, 1999 [JP] Japan 11-012704

[51] **LOC (7) Cl.** **18-02**

[52] **U.S. Cl.** **D18/56; 347/86**

[58] **Field of Search** **D18/56; 347/86, 347/87**

[56] **References Cited**

U.S. PATENT DOCUMENTS

- D. 314,209 1/1991 McClelland et al. D18/56
- D. 371,804 7/1996 Kotaki et al. D18/56
- D. 392,672 3/1998 Inoue et al. D18/56
- D. 395,669 6/1998 Carlotta et al. D18/56
- D. 395,670 6/1998 Inoue et al. D18/56

- D. 395,916 7/1998 Inoue et al. D18/56
- D. 406,163 2/1999 Shimizu et al. D18/56
- D. 412,526 8/1999 Shimizu et al. D18/56
- D. 413,920 9/1999 Shimizu et al. D18/56
- D. 414,509 9/1999 Shimizu et al. D18/56
- 4,998,115 3/1991 Nevarez et al. 347/87
- 5,408,256 4/1995 Keen et al. 347/87
- 5,552,816 9/1996 Oda et al. 347/86
- 5,576,750 11/1996 Brandon et al. 347/87

Primary Examiner—Cathy Anne MacCormac
Attorney, Agent, or Firm—Fitzpatrick, Cella, Harper & Scinto

[57] **CLAIM**

The ornamental design for an ink cartridge for ink jet printer, as shown and described.

DESCRIPTION

FIG. 1 is a front view of an ink cartridge for ink jet printer showing our new design;
 FIG. 2 is a rear view thereof;
 FIG. 3 is a top plan view thereof;
 FIG. 4 is a bottom plan view thereof;
 FIG. 5 is a left side view thereof;
 FIG. 6 is a right side view thereof;
 FIG. 7 is a perspective view as viewed from front and bottom direction thereof; and,
 FIG. 8 is a perspective view as viewed from rear and top direction thereof.

1 Claim, 6 Drawing Sheets

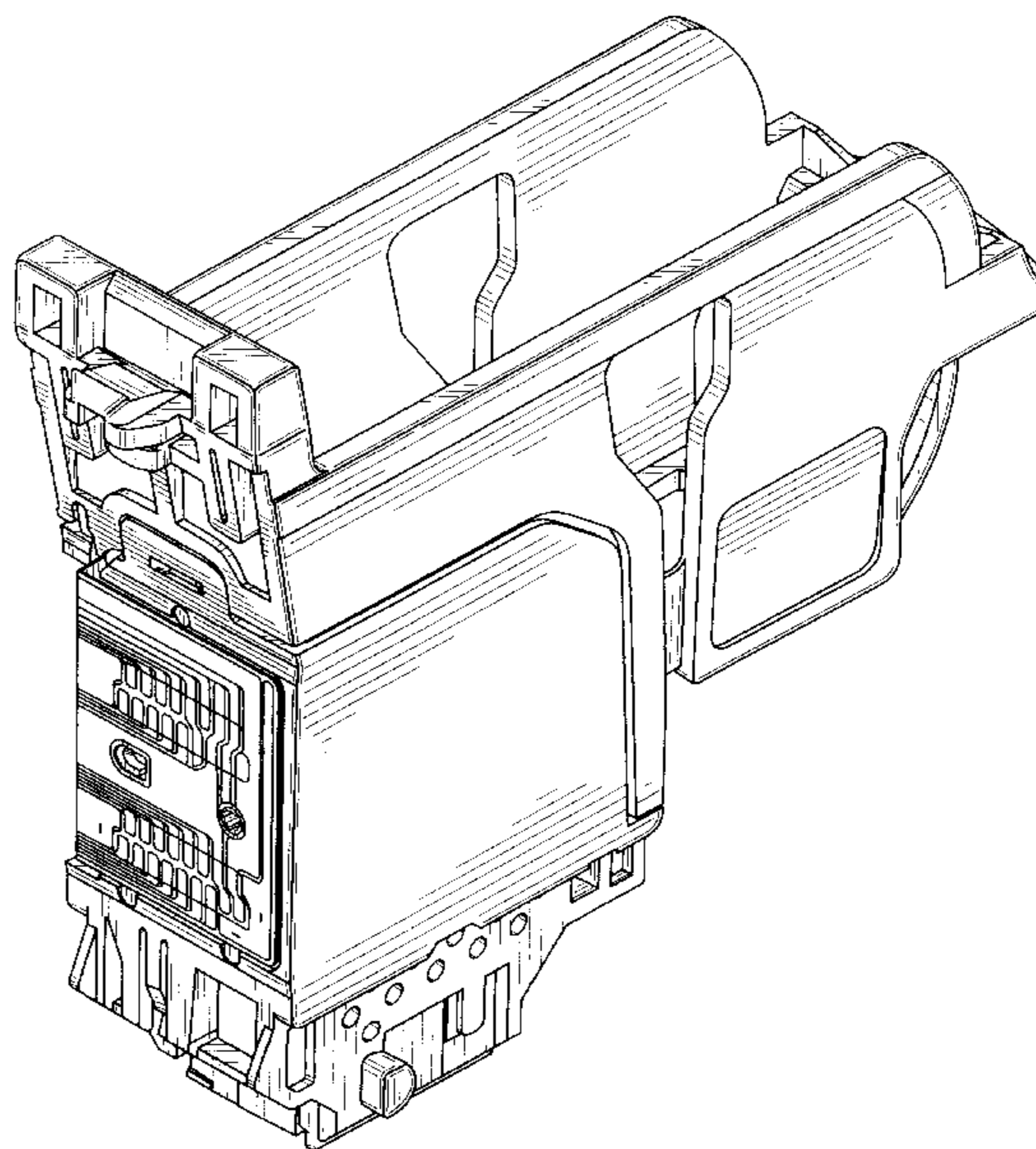
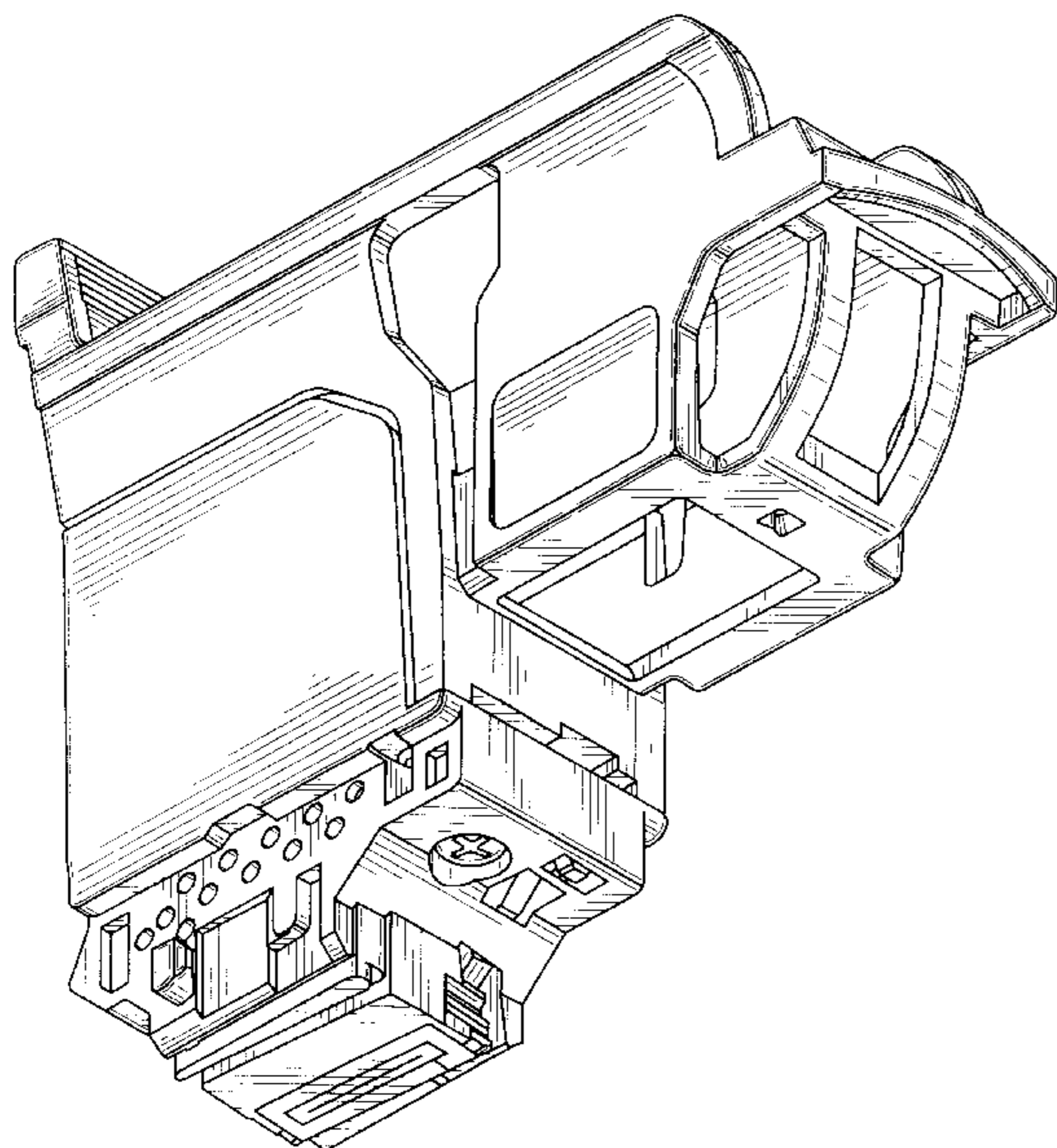


FIG. 1

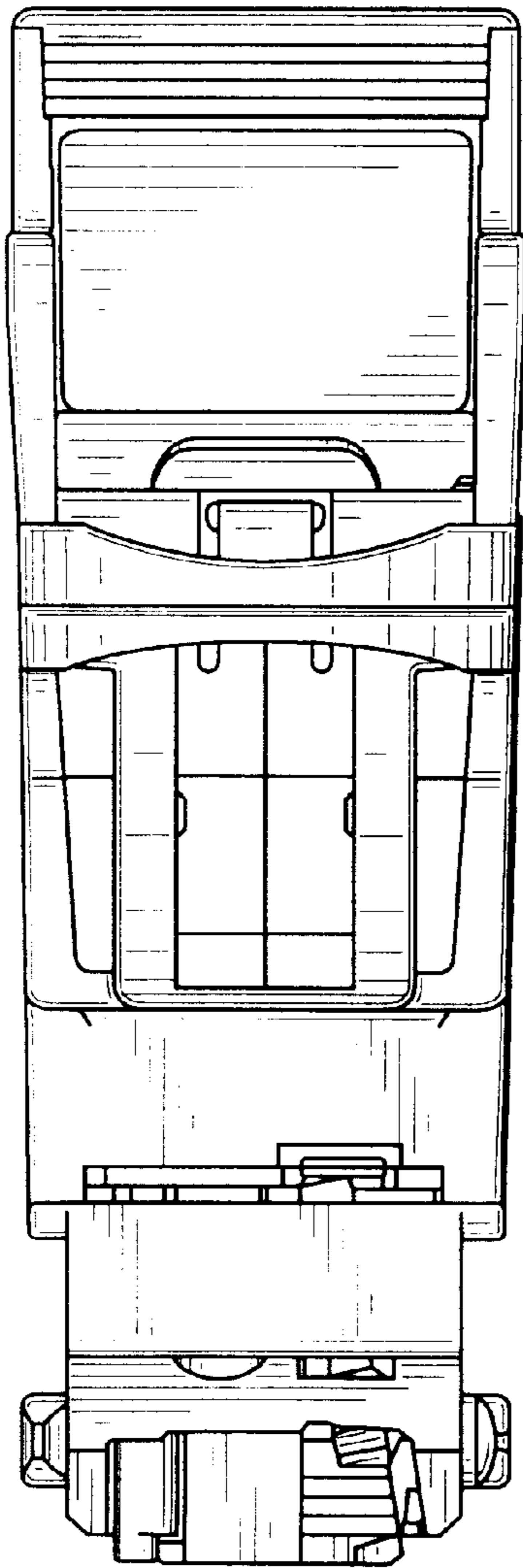


FIG. 2

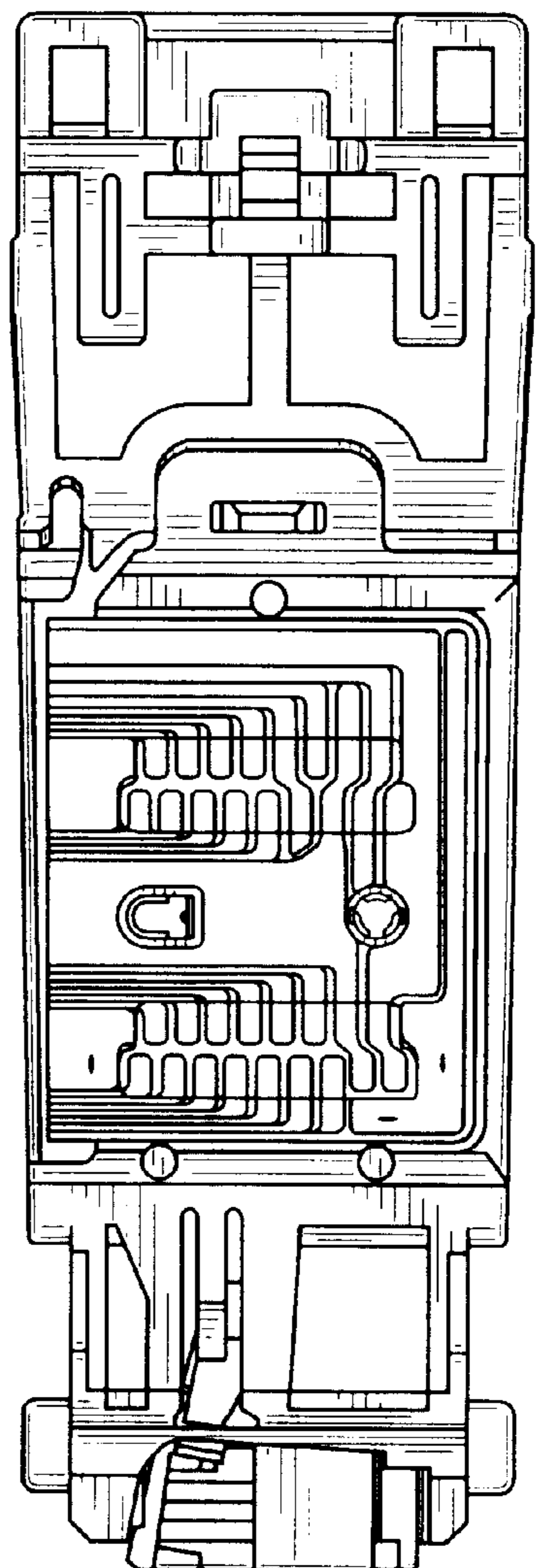


FIG. 3

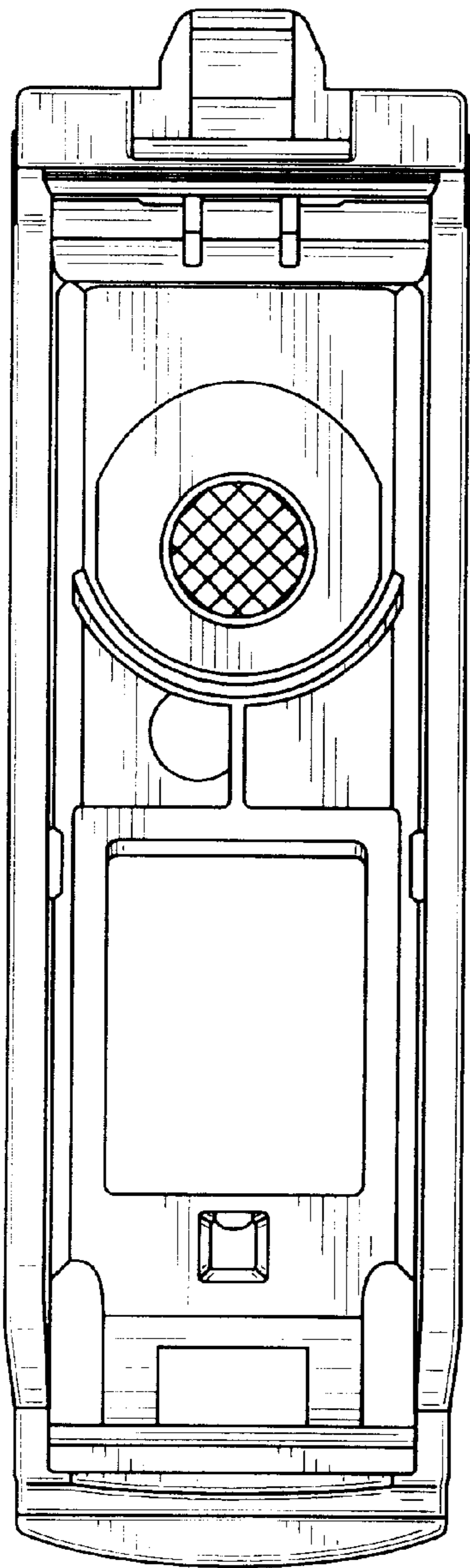


FIG. 4

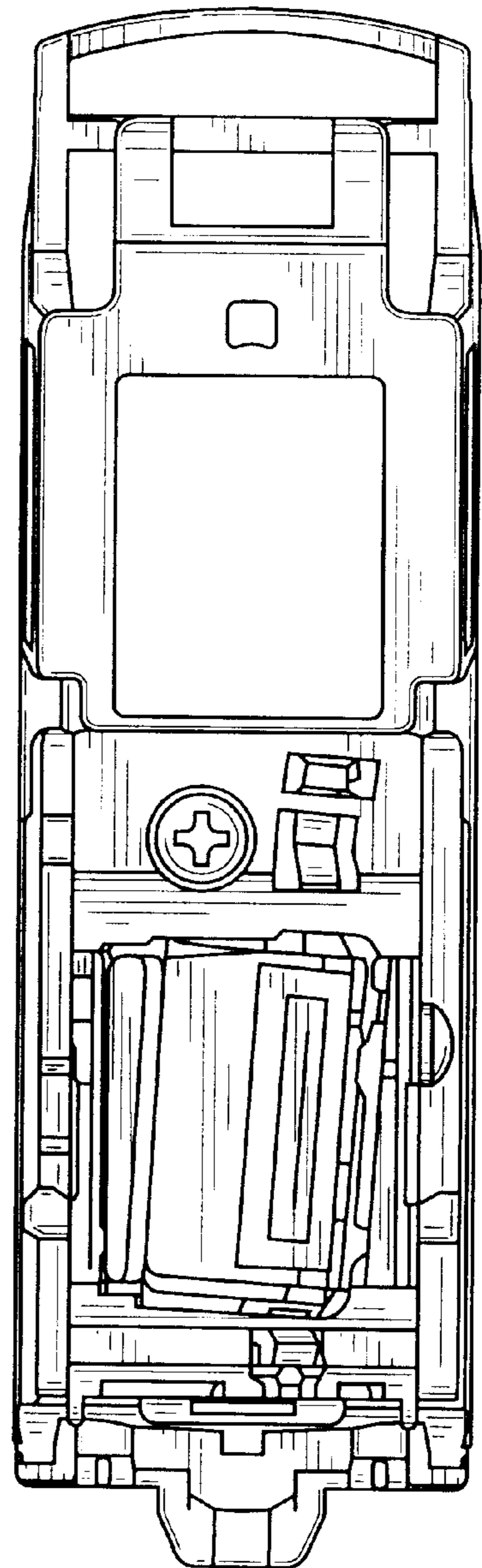


FIG. 5

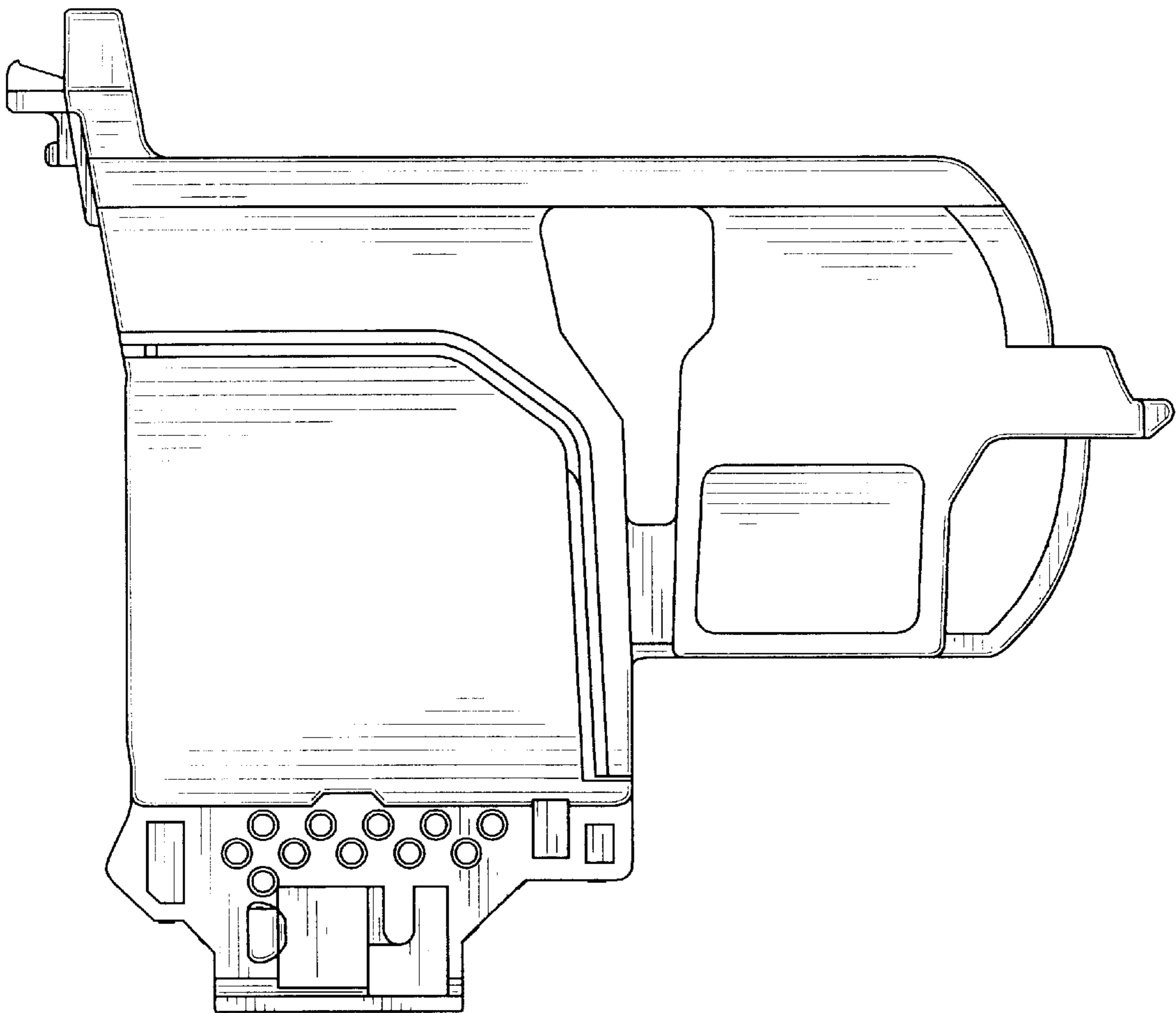


FIG. 6

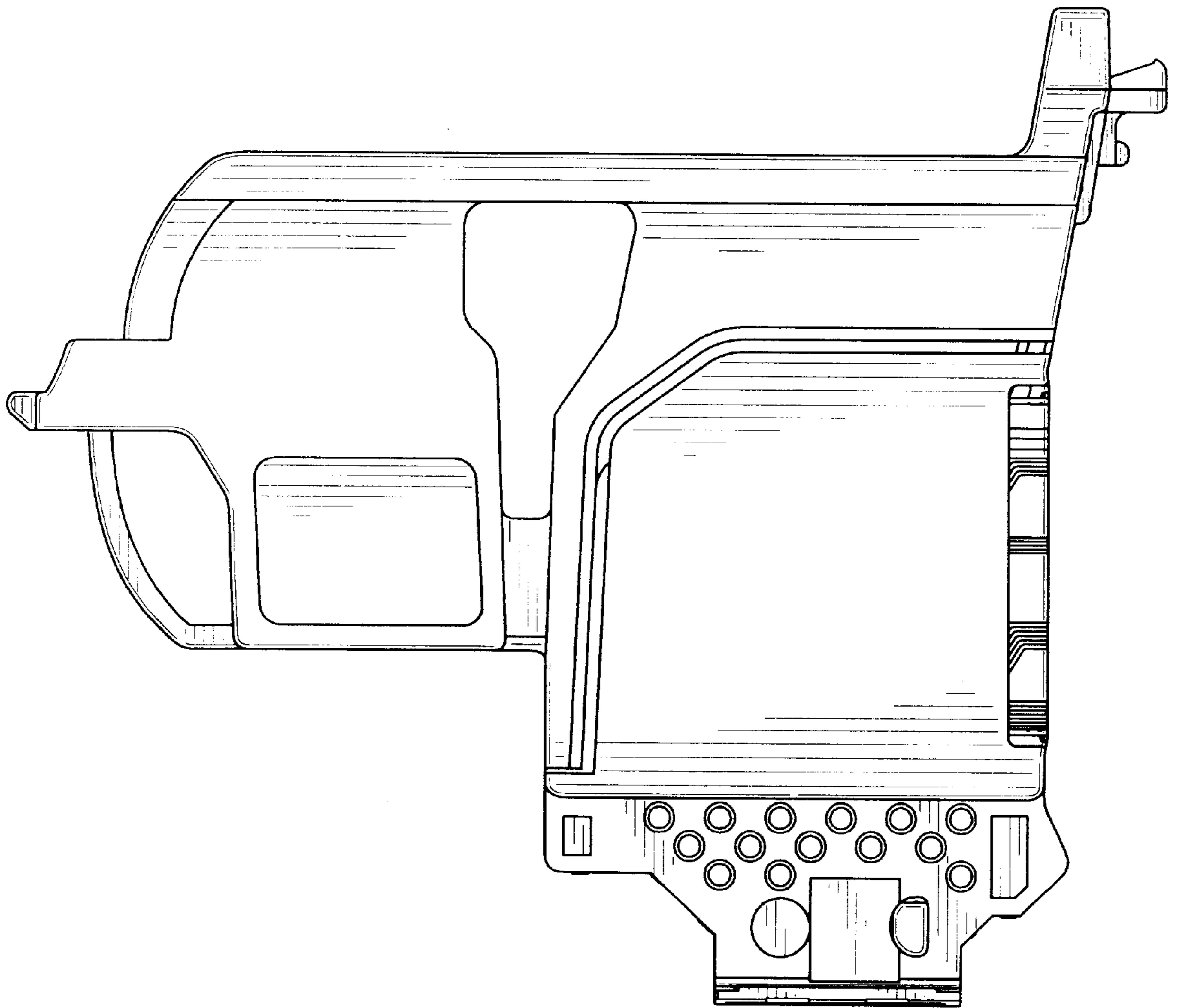


FIG. 7

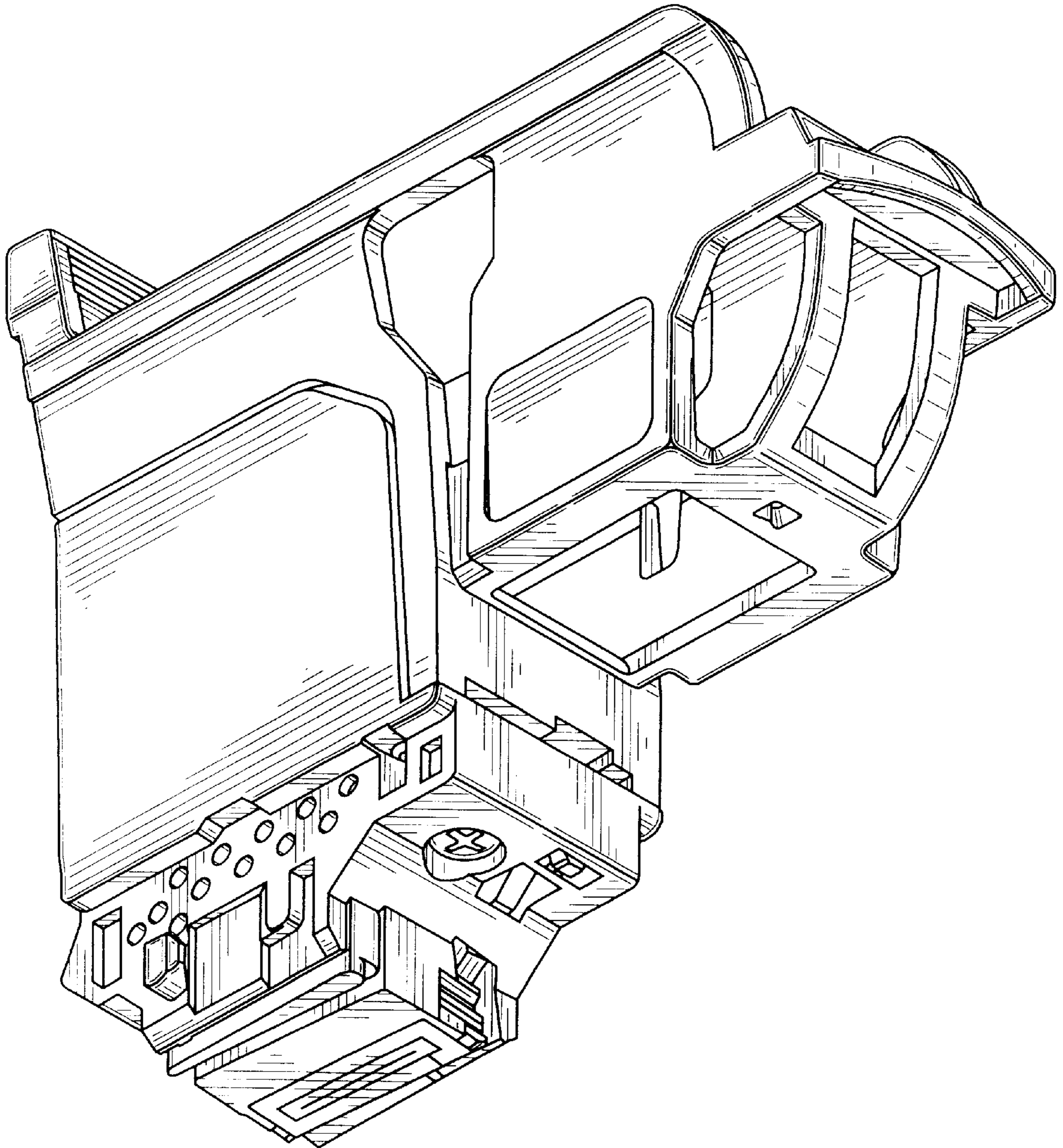


FIG. 8

