



US00D430600S

# United States Patent [19]

Murcia et al.

[11] Patent Number: **Des. 430,600**

[45] Date of Patent: **\*\* Sep. 5, 2000**

[54] **PRINthead SERVICE STATION UNIT**

[75] Inventors: **Antoni Murcia**, Barcelona, Spain; **Eric Joseph Johnson**, Sacramento, Calif.; **Xavier Bruch**, Barcelona, Spain

[73] Assignee: **Hewlett-Packard Company**, Palo Alto, Calif.

[\*\*] Term: **14 Years**

[21] Appl. No.: **29/100,785**

[22] Filed: **Feb. 18, 1999**

[51] **LOC (7) Cl.** ..... **18-02**

[52] **U.S. Cl.** ..... **D18/56; 18/2**

[58] **Field of Search** ..... **D18/56; 347/86, 347/87, 33, 30, 32, 29, 35, 36**

[56] **References Cited**

**U.S. PATENT DOCUMENTS**

5,051,761	9/1991	Fisher et al.	347/30
5,155,497	10/1992	Martin et al.	347/33
5,210,550	5/1993	Fisher et al.	347/30
5,455,609	10/1995	Gast et al.	347/32
5,563,637	10/1996	Francis et al.	347/32
5,585,826	12/1996	Schroeder et al.	347/29
5,587,729	12/1996	Lee et al.	347/32
5,617,124	4/1997	Taylor et al.	347/35
5,619,232	4/1997	Maeno	347/30

5,621,441	4/1997	Waschhauser et al.	347/33
5,627,573	5/1997	Fahy	347/32
5,640,182	6/1997	Bahrami et al.	347/33
5,644,345	7/1997	Toniolo	347/32
5,663,751	9/1997	Holbrook	347/22
5,757,395	5/1998	Chew et al.	347/24
5,801,725	9/1998	Neese et al.	347/32
5,847,728	12/1998	Lee	347/33
5,917,516	6/1999	Nguyen et al.	347/32
5,946,009	8/1999	Youn	347/32
5,966,146	10/1999	Lee	347/33
5,980,018	11/1999	Taylor et al.	347/31
5,997,128	12/1999	Lou et al.	347/33

*Primary Examiner*—Cathy Anne MacCormac

[57] **CLAIM**

The ornamental design for a printhead service station unit, as shown and described.

**DESCRIPTION**

FIG. 1 is a perspective view of printhead service station unit, showing our new design.

FIG. 2 is a left side elevational view thereof.

FIG. 3 is a top plan view thereof.

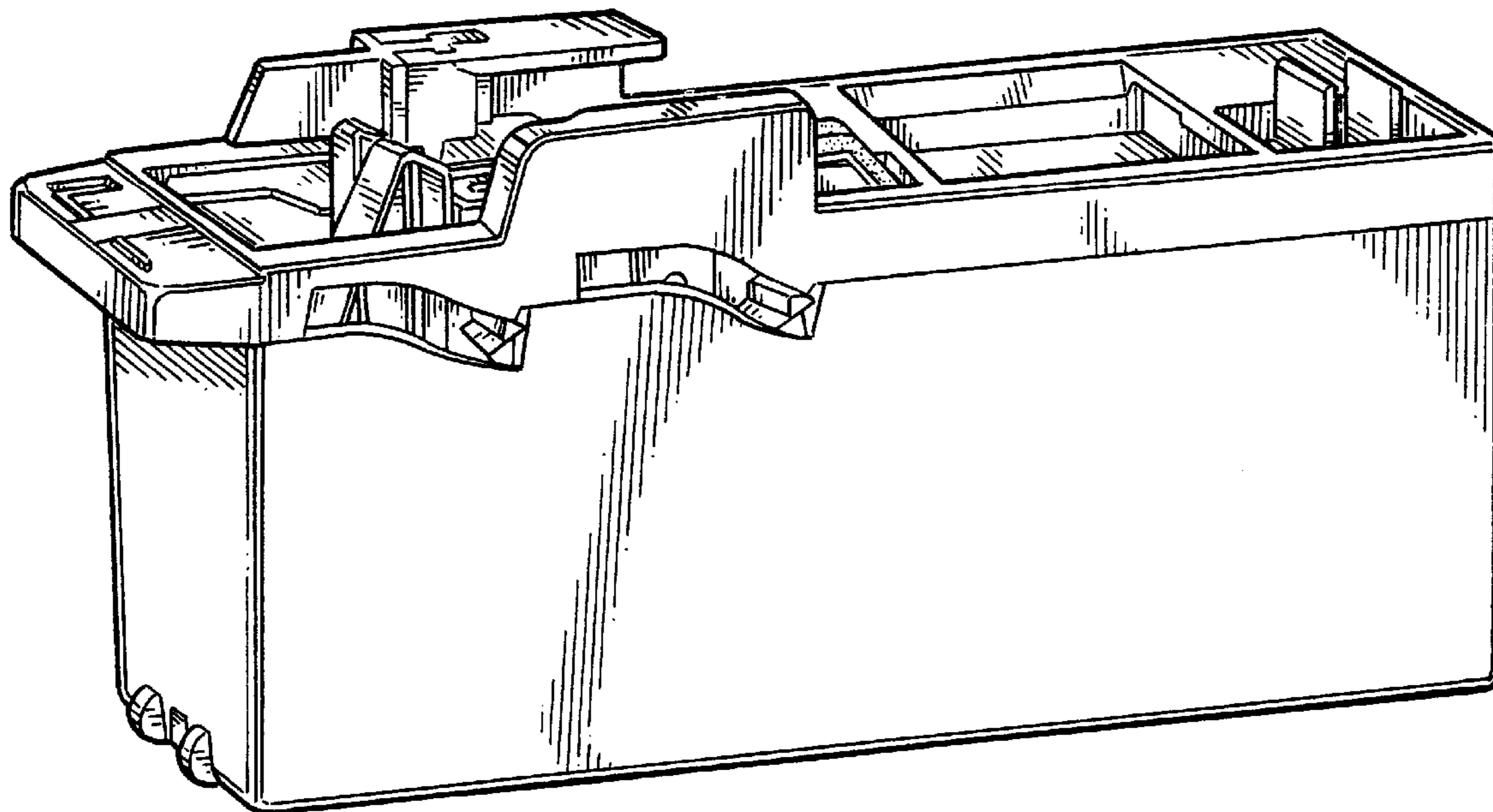
FIG. 4 is a front elevational view thereof.

FIG. 5 is a bottom plan view thereof.

FIG. 6 is a right side elevational view thereof; and,

FIG. 7 is a rear elevational view thereof.

**1 Claim, 3 Drawing Sheets**



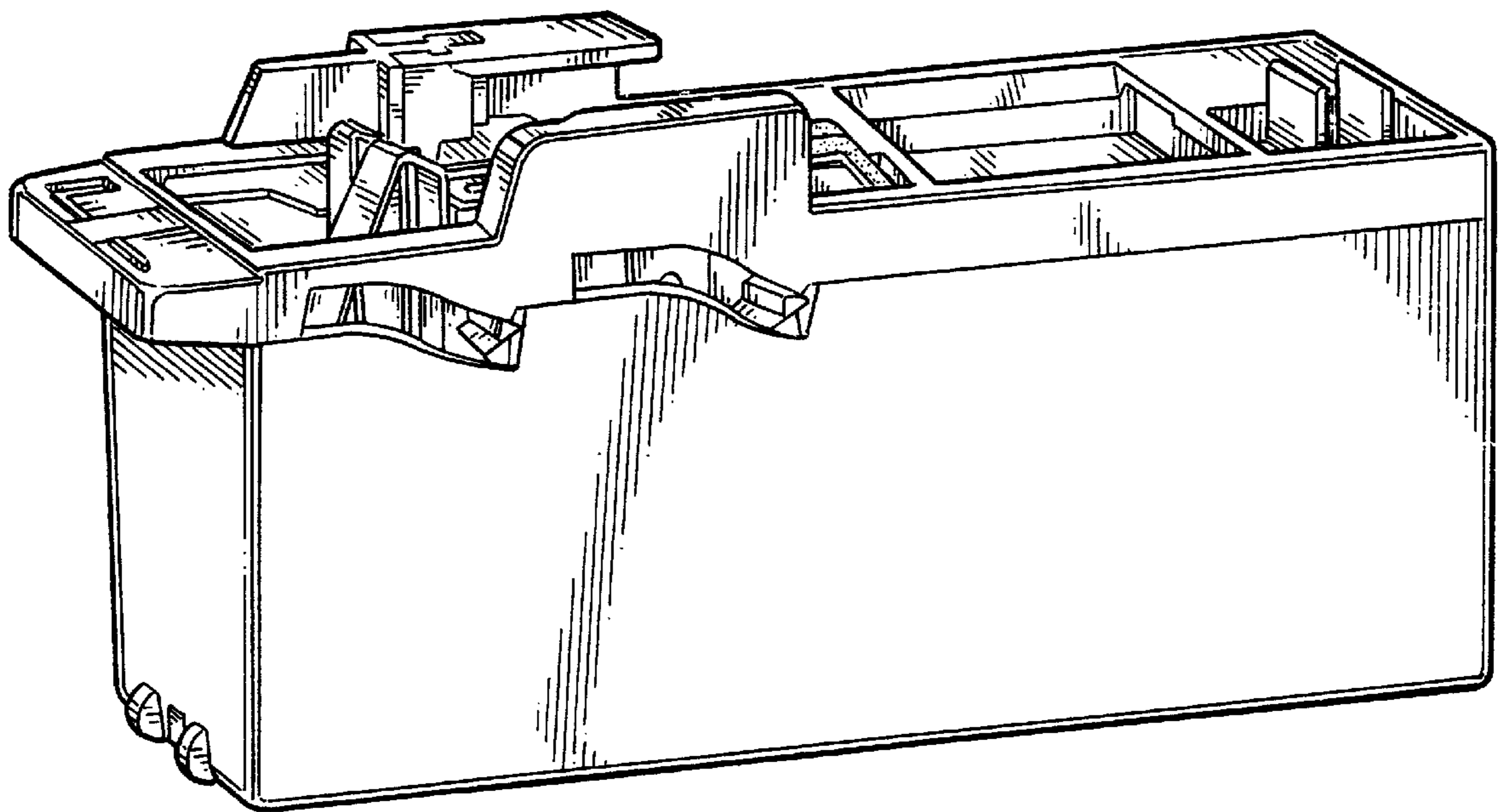


FIG. 1

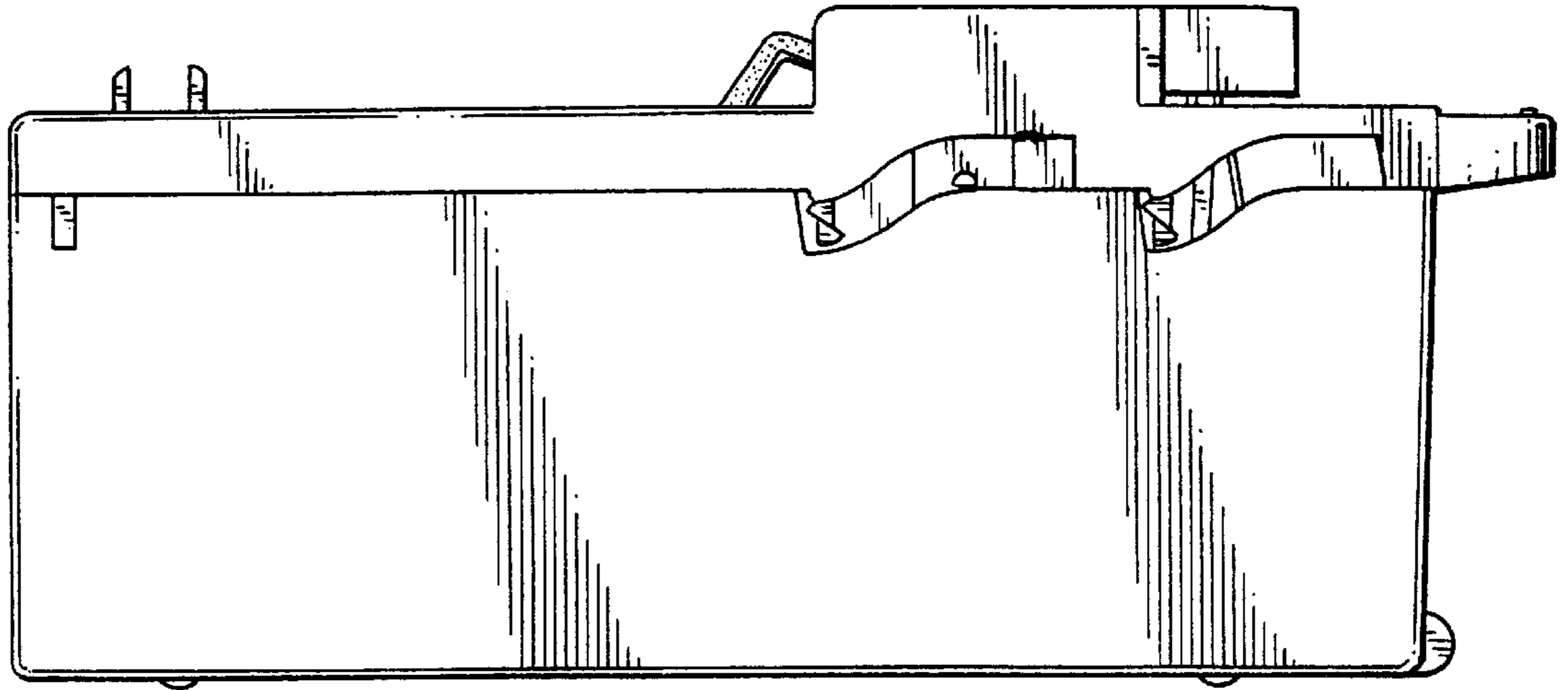


FIG. 2

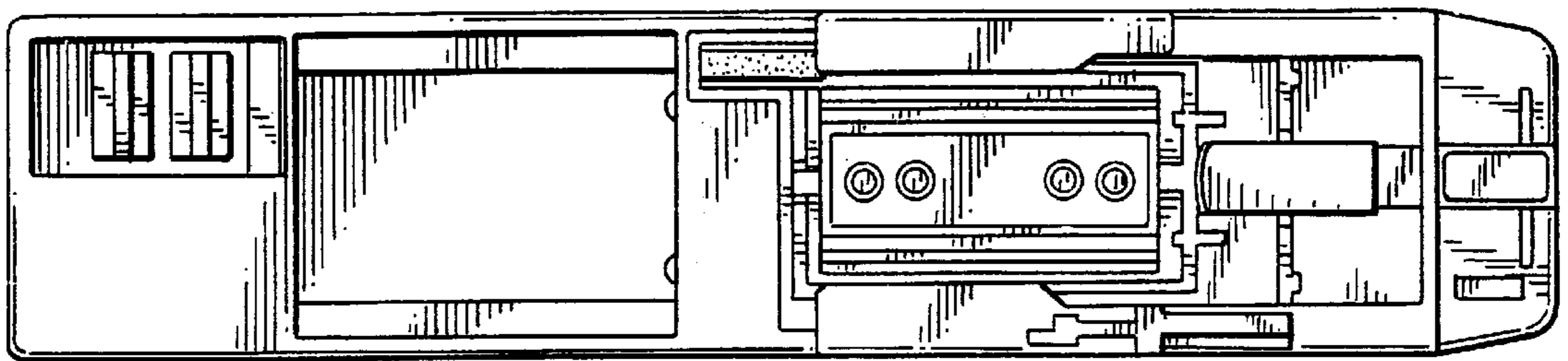


FIG. 3

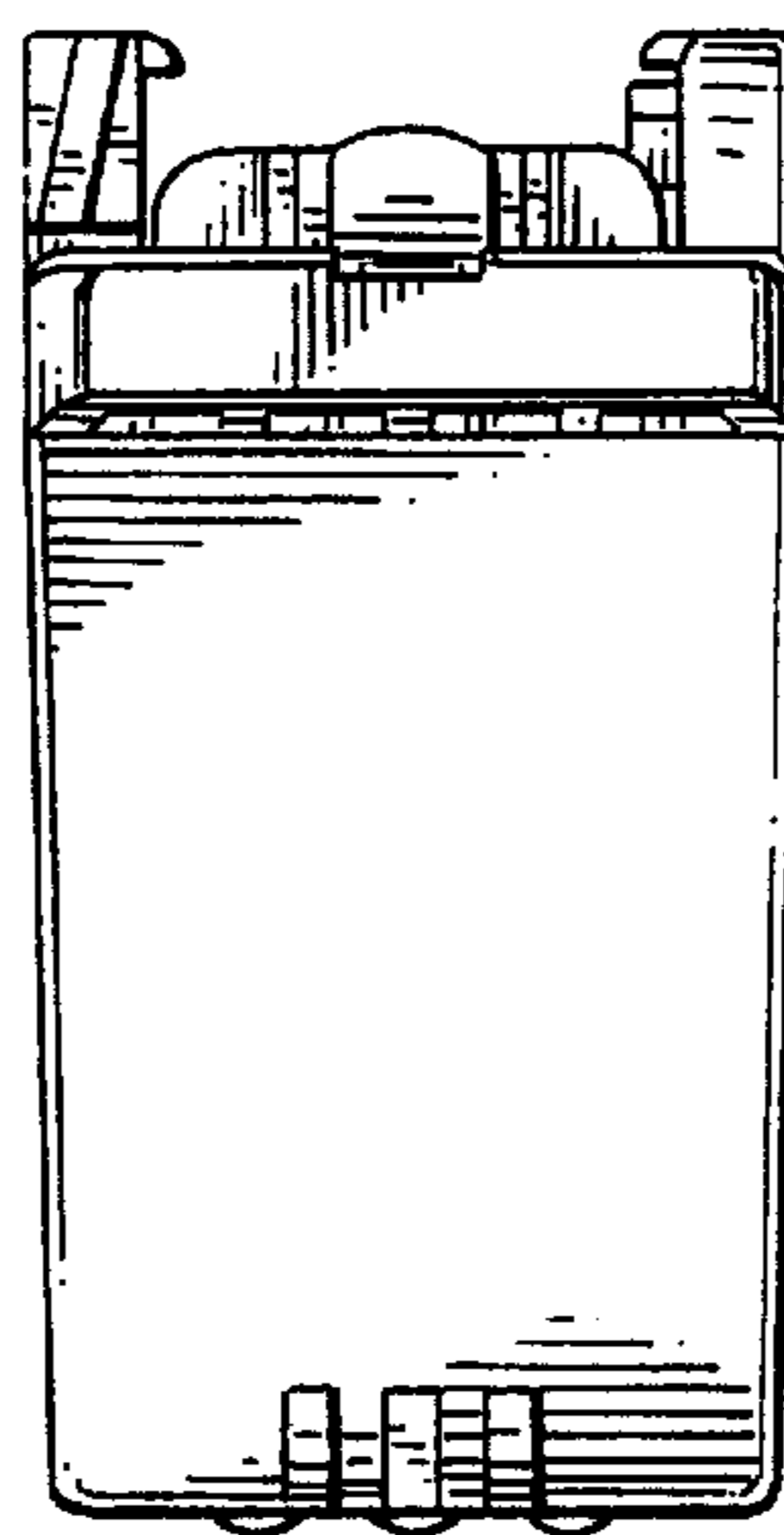


FIG. 4

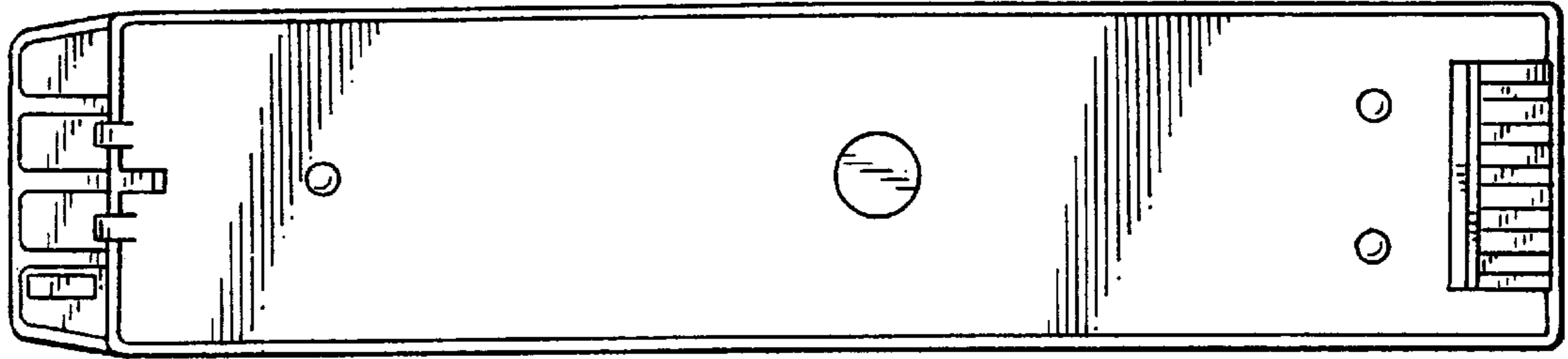


FIG. 5

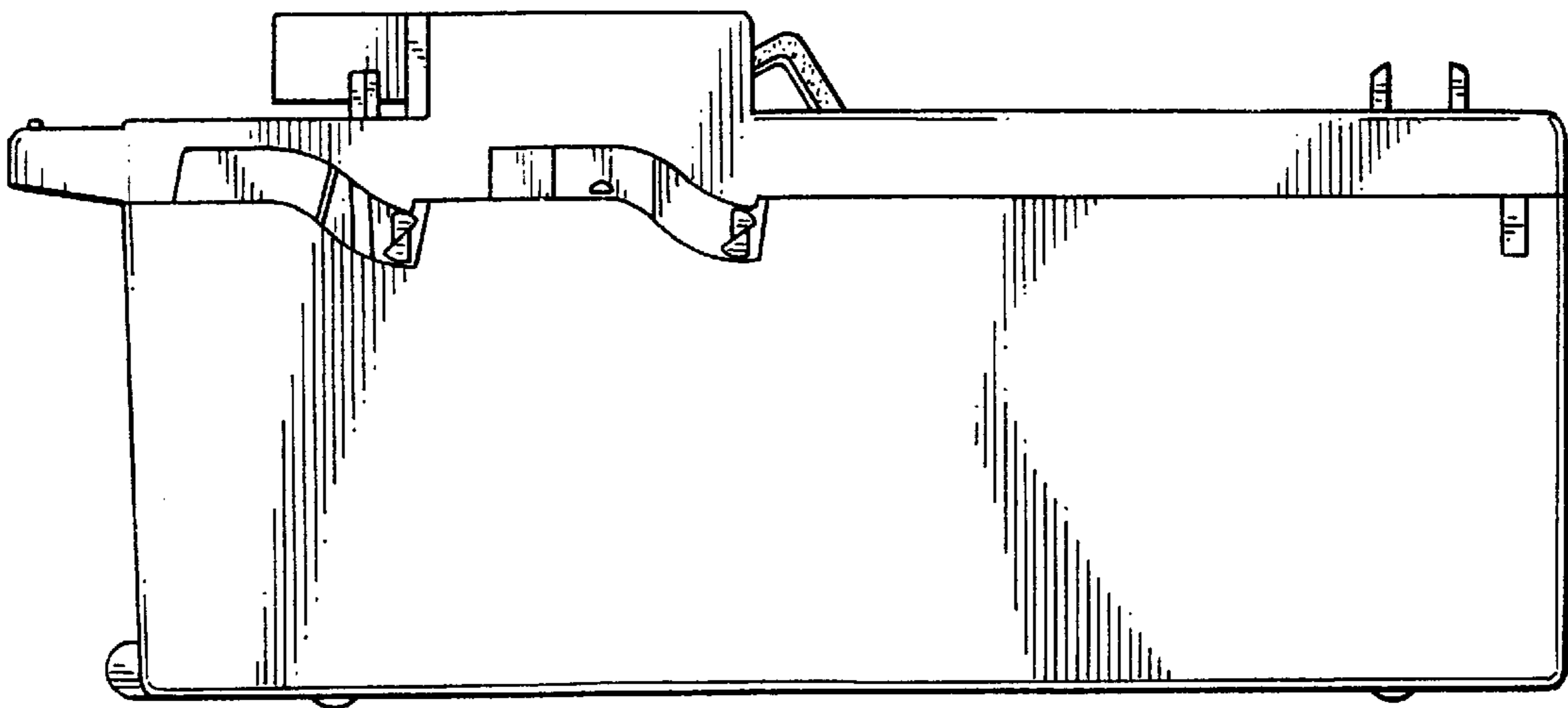


FIG. 6

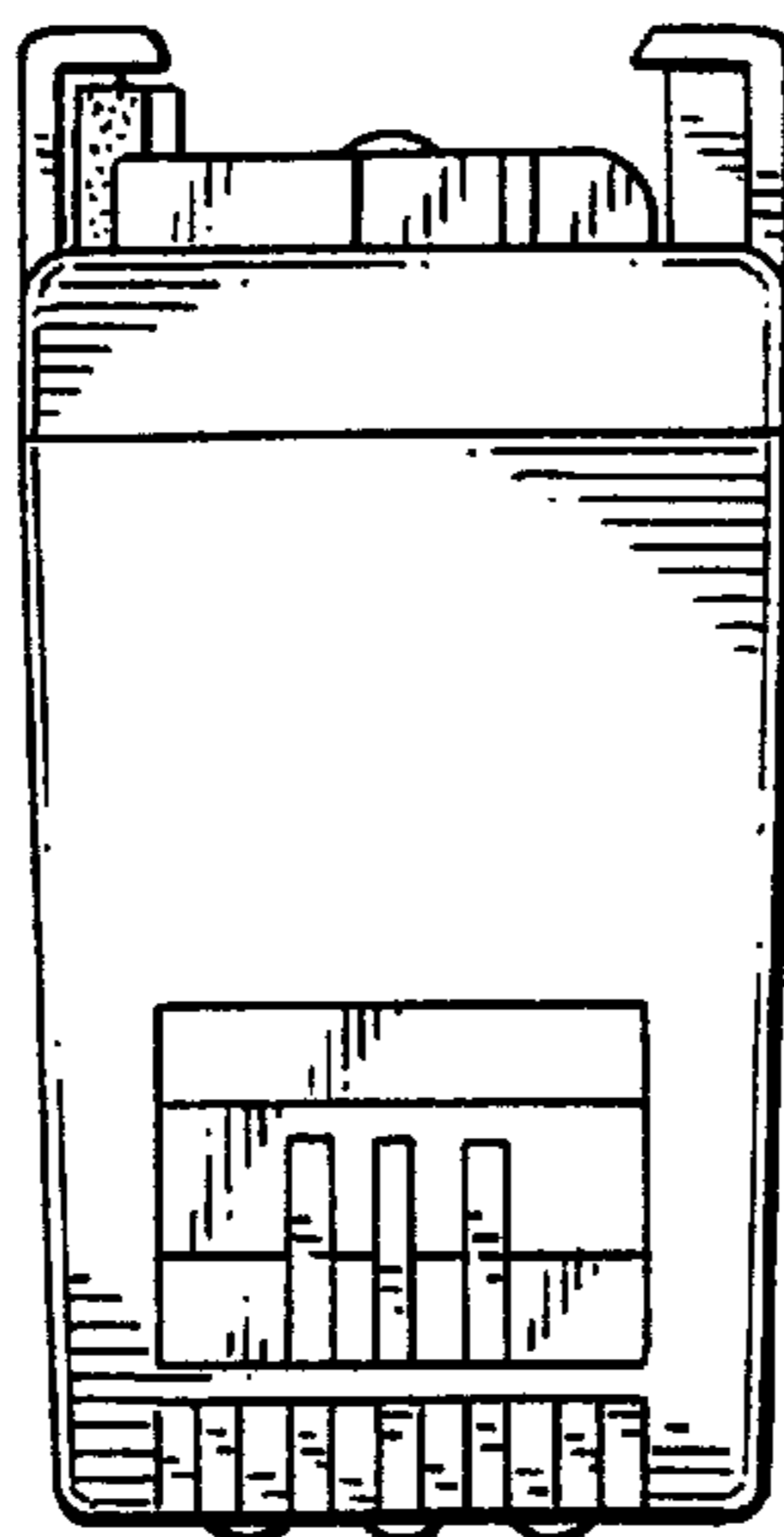


FIG. 7