

US00D430599S

United States Patent [19] Gassett

[11] Patent Number: **Des. 430,599**

[45] Date of Patent: **** Sep. 5, 2000**

[54] **EXTERIOR DESIGN FOR PRINTER**

[75] Inventor: **John Wayne Gassett**, Lexington, Ky.

[73] Assignee: **Lexmark International, Inc.**,
Lexington, Ky.

[**] Term: **14 Years**

[21] Appl. No.: **29/110,730**

[22] Filed: **Sep. 10, 1999**

[51] **LOC (7) Cl.** **14-02**

[52] **U.S. Cl.** **D18/55**

[58] **Field of Search** D18/50, 54-55,
D18/36-39; 400/613, 613.1-613.4, 691-694,
690.1-690.4; D14/462

[56] **References Cited**

U.S. PATENT DOCUMENTS

D. 324,233	2/1992	Sawa et al.	D18/54
D. 324,539	3/1992	Sawa	D18/54
D. 333,836	3/1993	Kelemen et al.	D18/55
D. 353,155	12/1994	Stewart et al.	D18/50
D. 371,158	6/1996	Yoshida	D18/50

D. 395,915	7/1998	Yoshida et al.	D18/55
D. 396,053	7/1998	Bishop et al.	D18/50
D. 405,109	2/1999	Kenmochi et al.	D18/54
D. 413,352	8/1999	Bishop et al.	D18/55
D. 415,789	10/1999	Lardant	D18/50
4,581,616	4/1986	Ross et al.	400/613.2

Primary Examiner—Cathy Anne MacCormac
Attorney, Agent, or Firm—Michael T. Sanderson

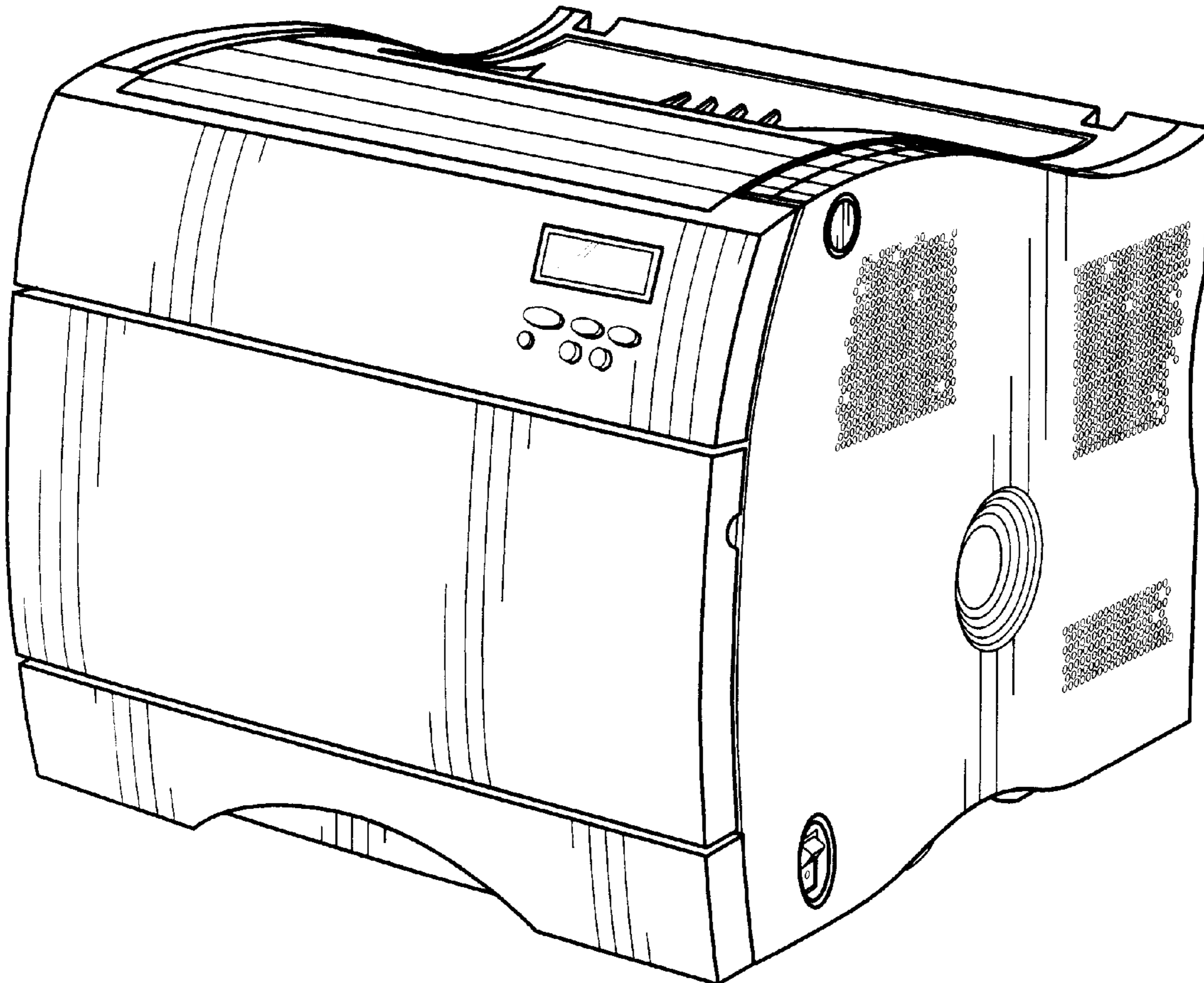
[57] **CLAIM**

The ornamental design for an exterior design for printer, as shown and described.

DESCRIPTION

FIG. 1 is a top, front right side perspective view of an exterior design for printer in accordance with my new design;
FIG. 2 is a right side view thereof;
FIG. 3 is a left side view thereof;
FIG. 4 is a front side view thereof;
FIG. 5 is a rear view thereof;
FIG. 6 is a top view thereof; and,
FIG. 7 is a bottom view thereof.

1 Claim, 4 Drawing Sheets



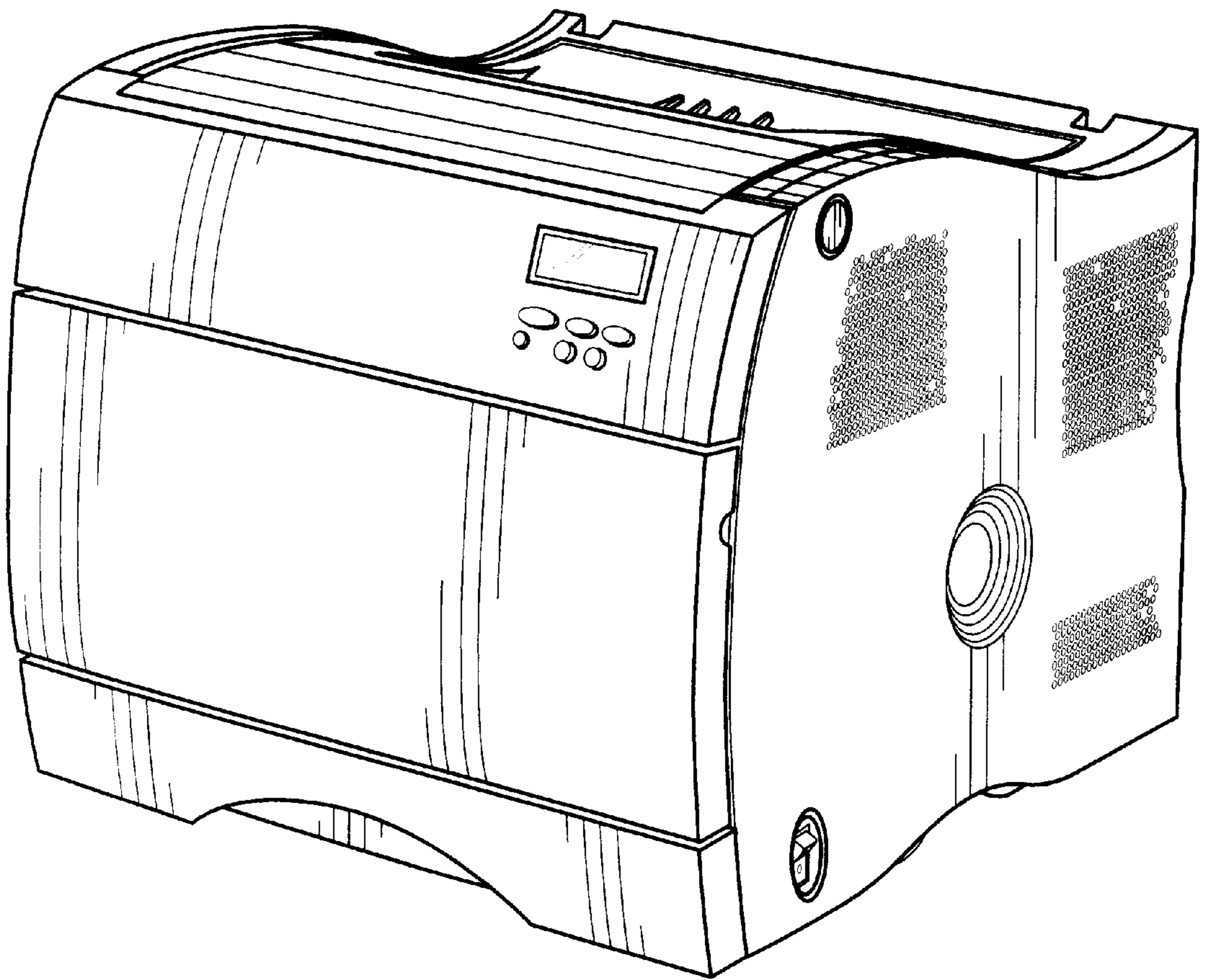


FIG. 1

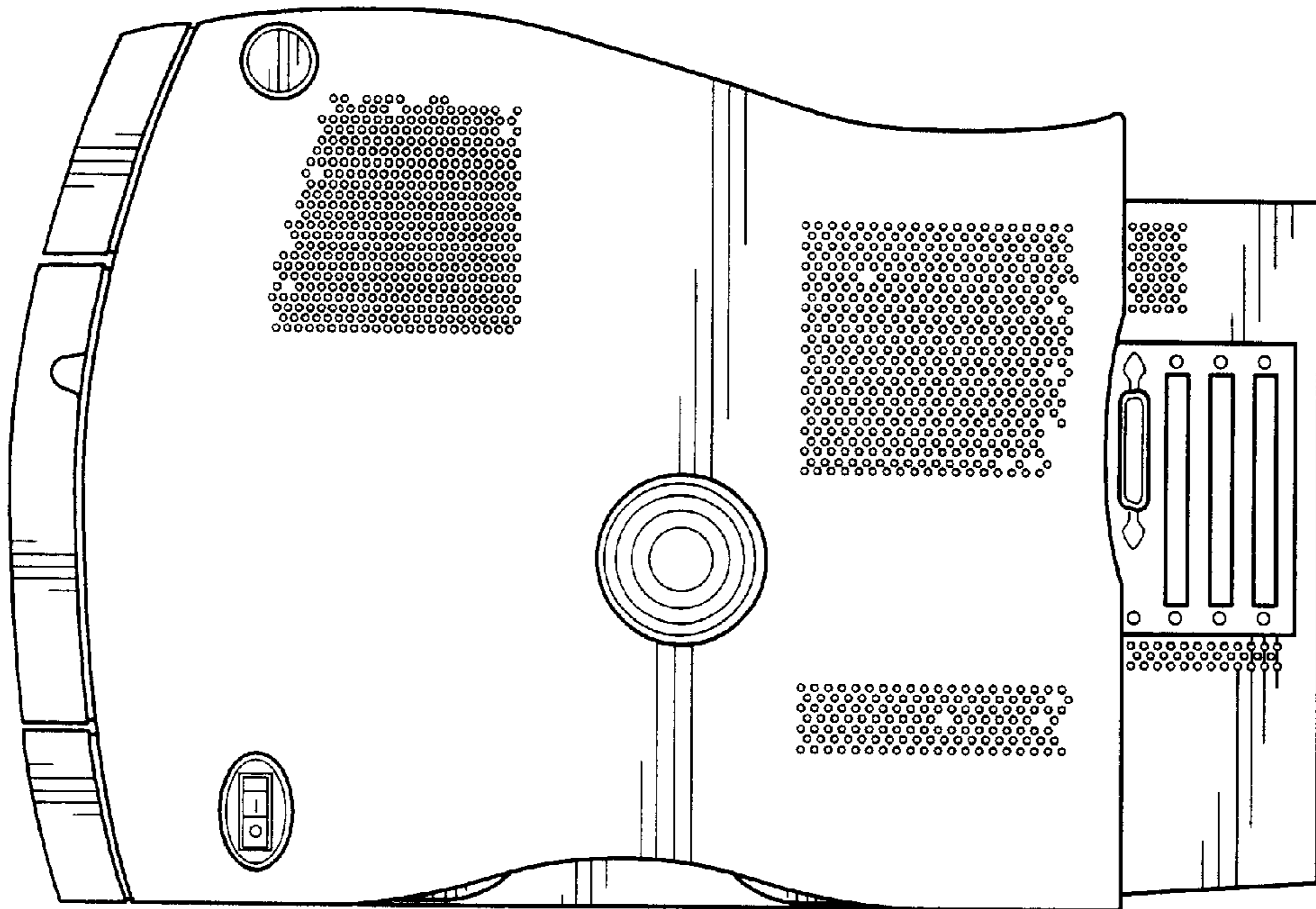


FIG. 2

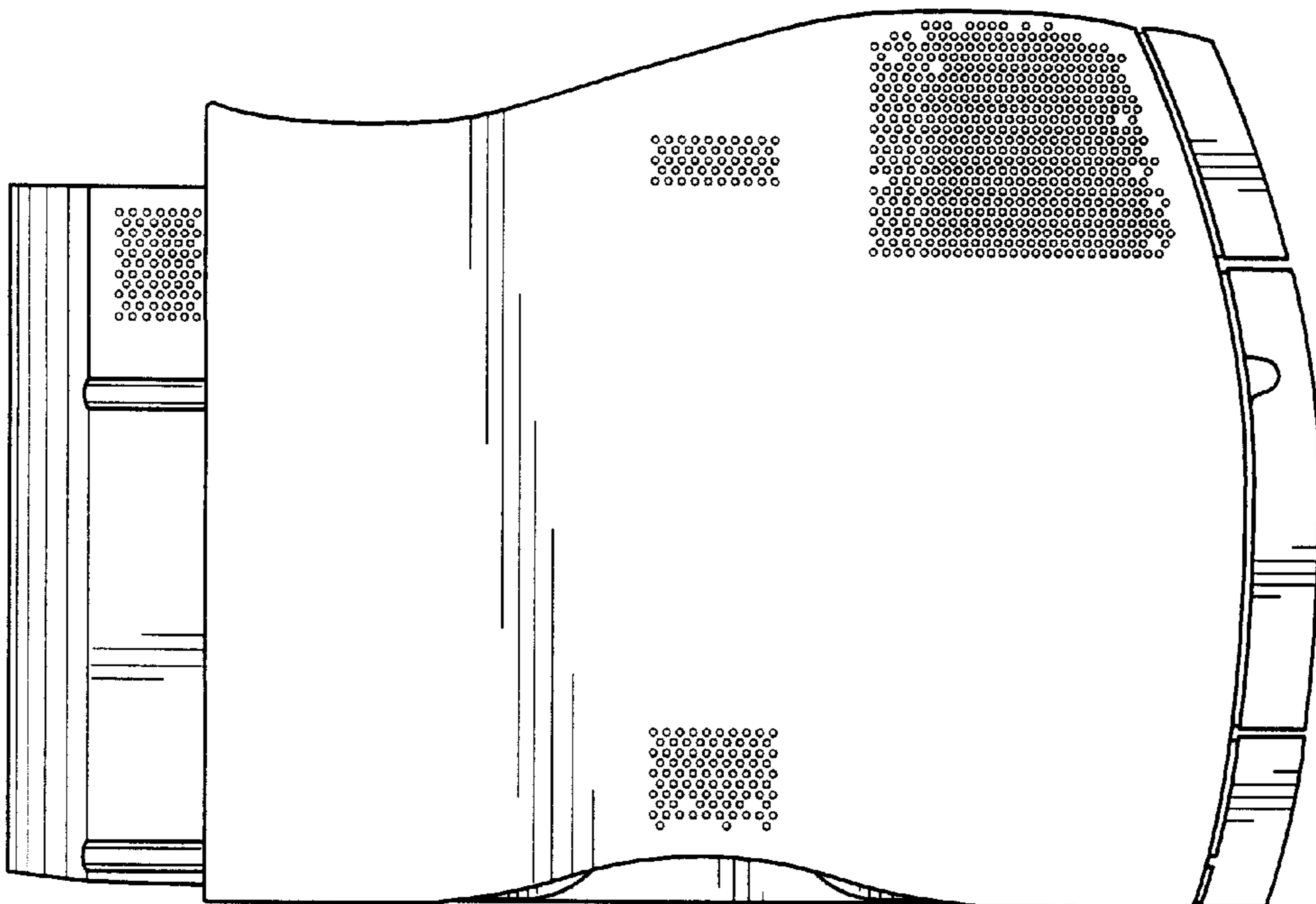


FIG. 3

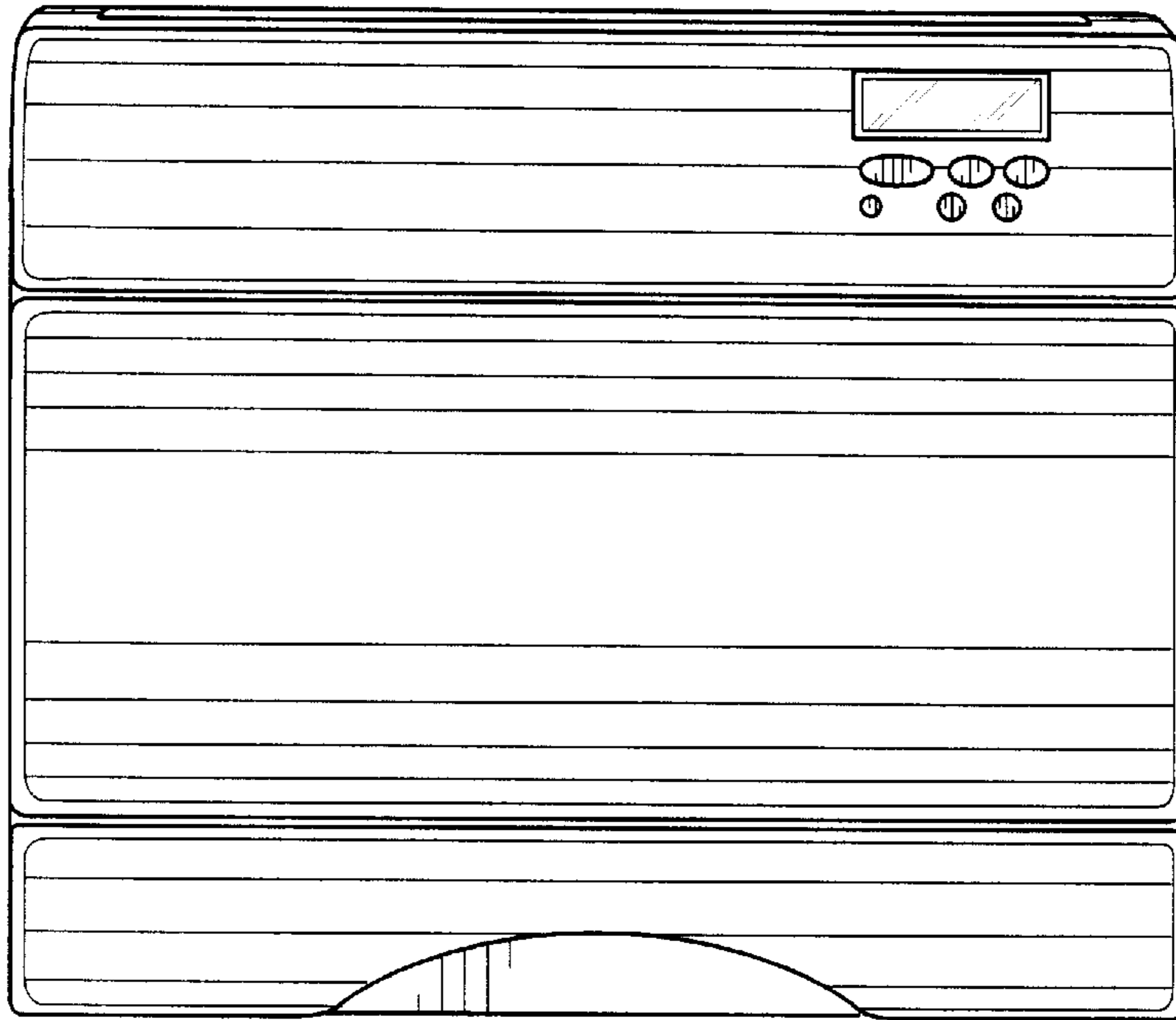


FIG. 4

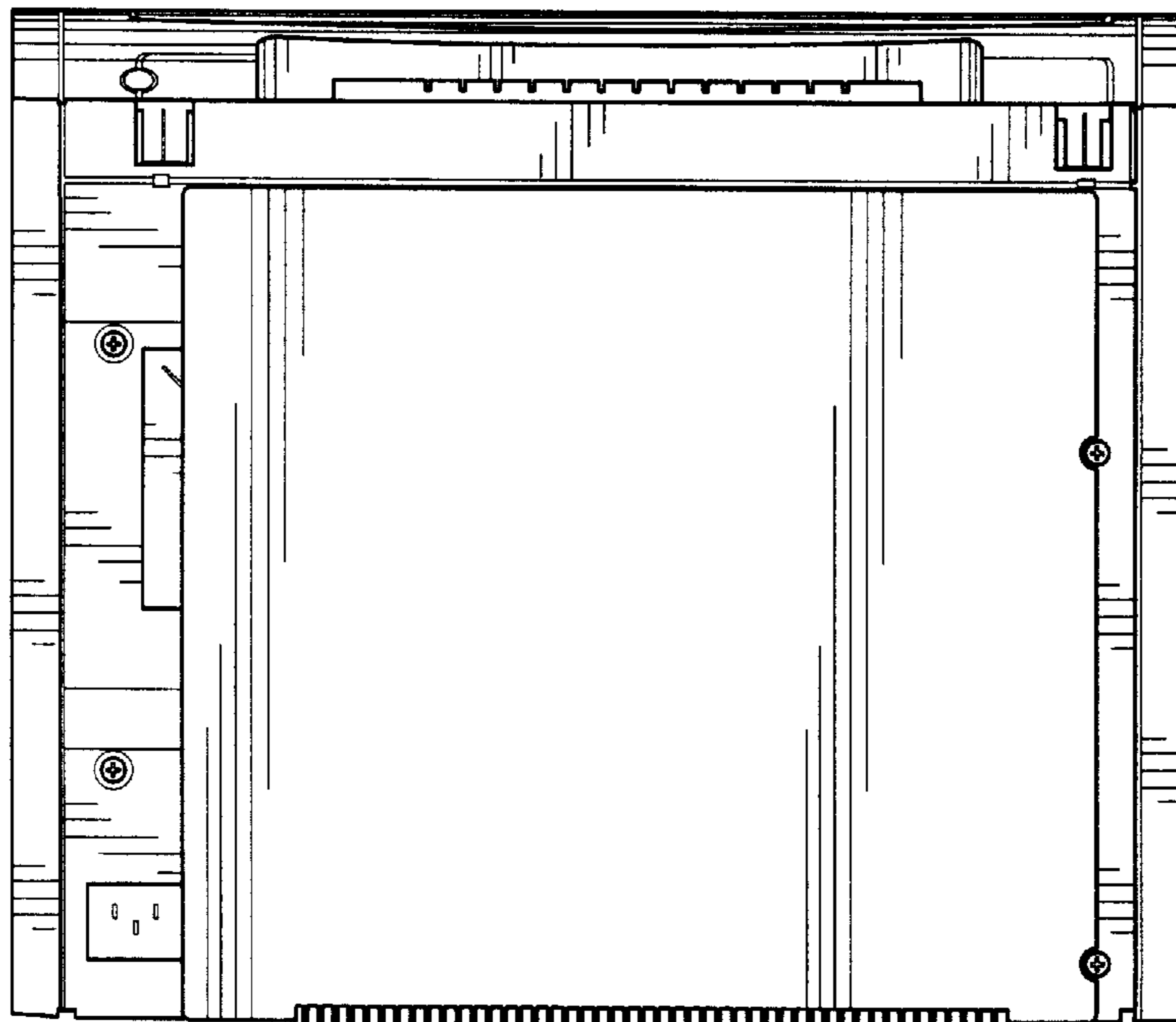


FIG. 5

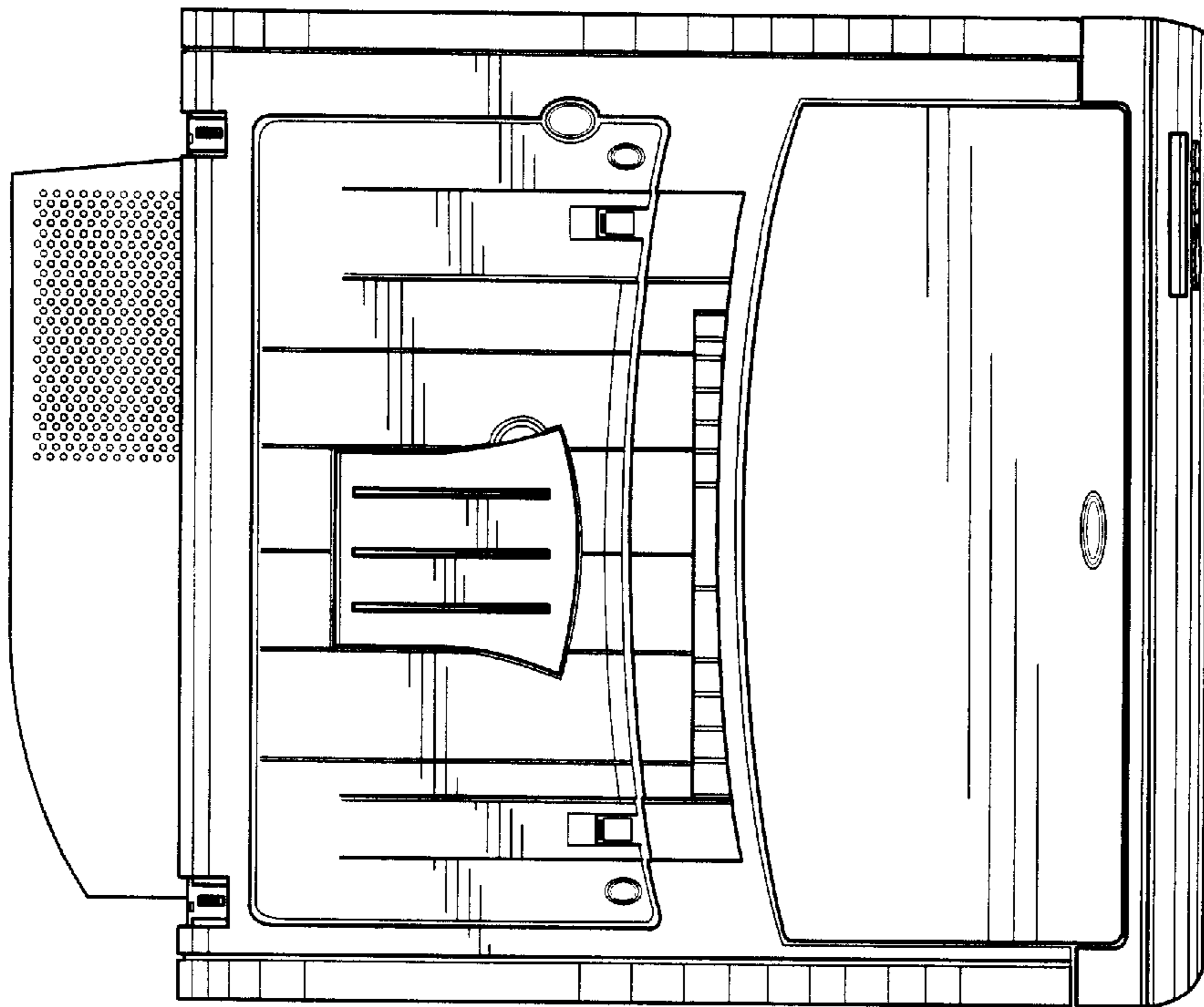


FIG. 6

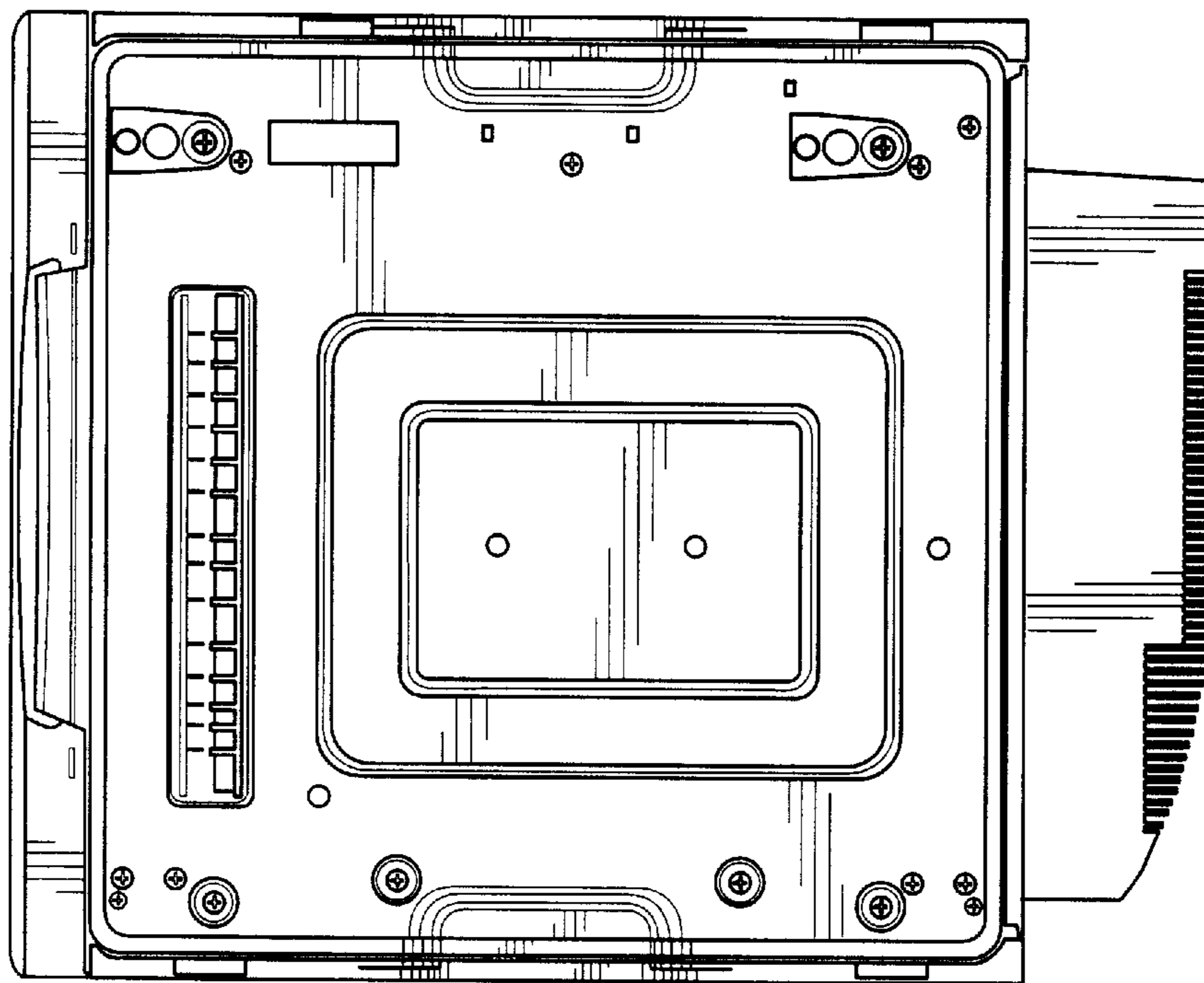


FIG. 7