



US00D430597S

United States Patent [19] Ishiguro

[11] Patent Number: **Des. 430,597**

[45] Date of Patent: **** Sep. 5, 2000**

[54] **PRINTER**

[75] Inventor: **Takeshi Ishiguro**, Hachioji, Japan

[73] Assignee: **Canon Kabushiki Kaisha**, Tokyo, Japan

[**] Term: **14 Years**

[21] Appl. No.: **29/079,572**

[22] Filed: **Nov. 14, 1997**

[51] **LOC (7) Cl.** **14-02**

[52] **U.S. Cl.** **D18/55**

[58] **Field of Search** D18/36, 37, 50,
D18/54, 55; 400/613, 613.1-613.4, 691-694,
690.1-690.4

[56] **References Cited**

U.S. PATENT DOCUMENTS

- D. 363,924 11/1995 Udea et al. D18/50
- D. 373,595 9/1996 Askren et al. D18/50
- D. 376,141 12/1996 Takeuchi D18/50
- D. 378,927 4/1997 Kasahara et al. D18/50

- D. 388,405 12/1997 Lin D18/50
- D. 395,332 6/1998 Leong et la. D18/55
- 5,538,352 7/1996 Sugiura D18/50
- 5,567,068 10/1996 Egashira et al. 400/693

Primary Examiner—Cathy Anne MacCormac
Attorney, Agent, or Firm—Fitzpatrick, Cella, Harper & Scinto

[57] **CLAIM**

The ornamental design for a printer, as shown and described.

DESCRIPTION

FIG. 1 is a front perspective view of a printer showing my design;
FIG. 2 is a rear perspective view thereof;
FIG. 3 is a bottom plan view thereof;
FIG. 4 is a front elevational view thereof;
FIG. 5 is a left side elevational view thereof;
FIG. 6 is a rear elevational view thereof;
FIG. 7 is a right side elevational view thereof; and,
FIG. 8 is a top plan view thereof.

1 Claim, 8 Drawing Sheets

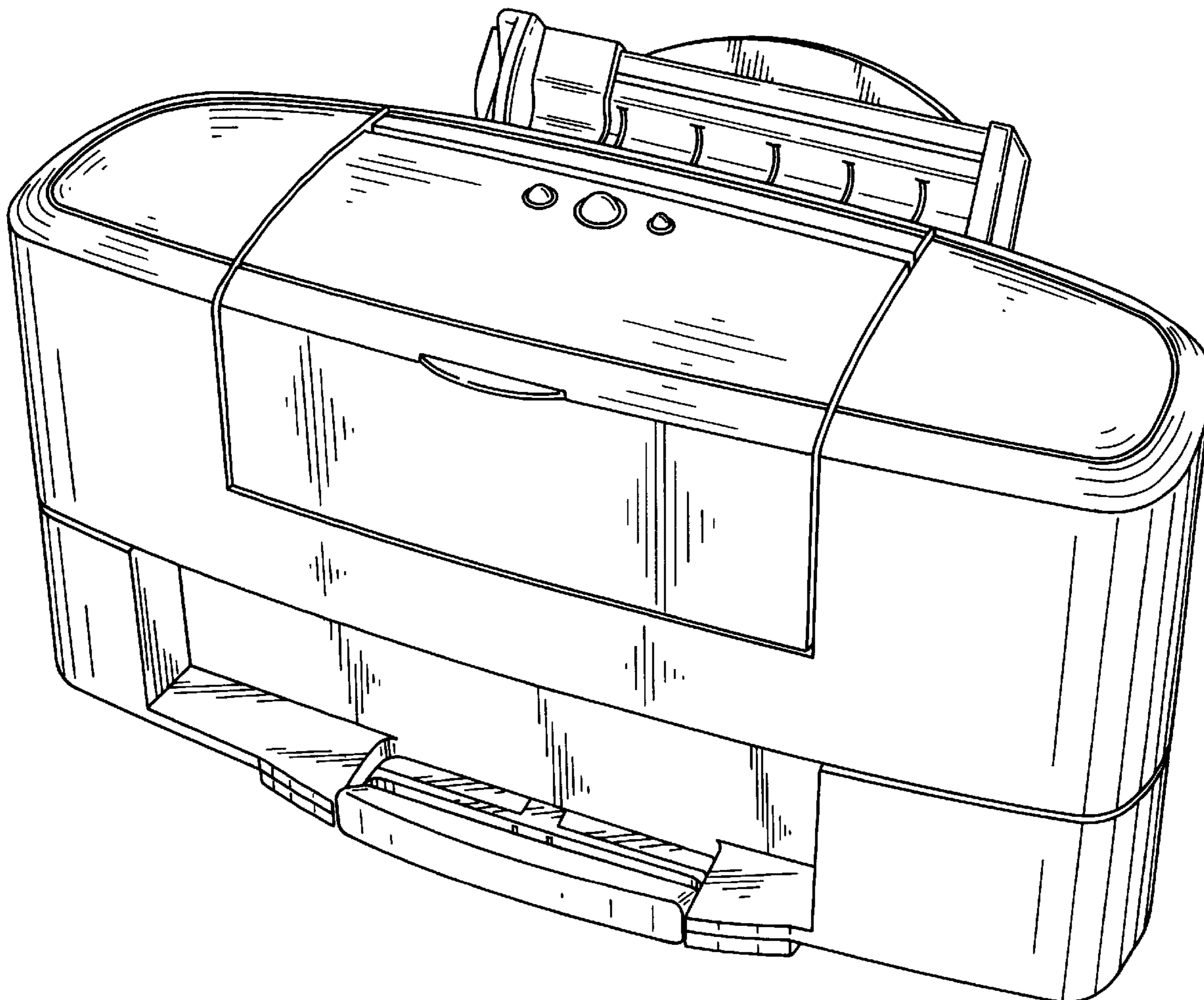


FIG. 1

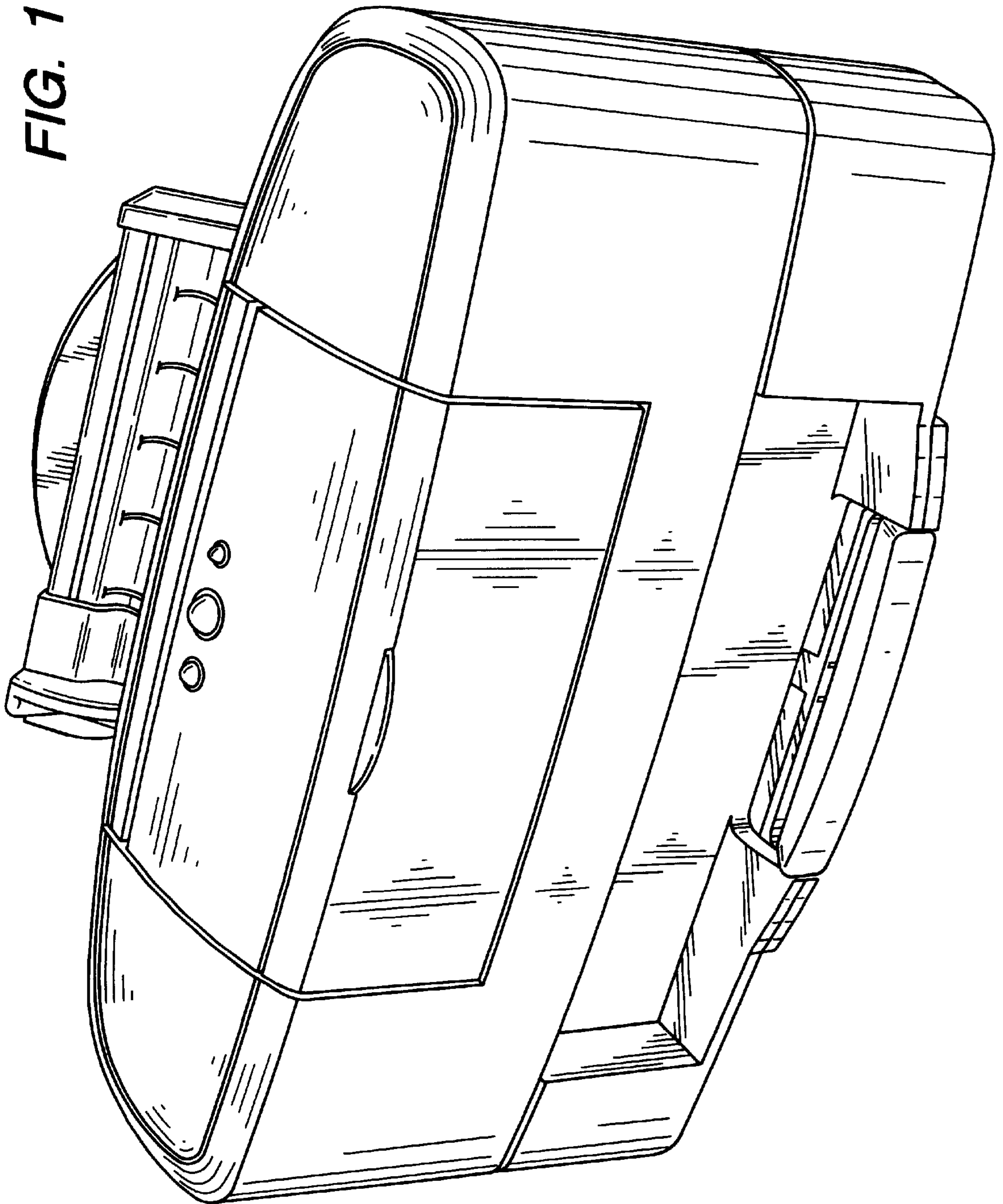


FIG. 2

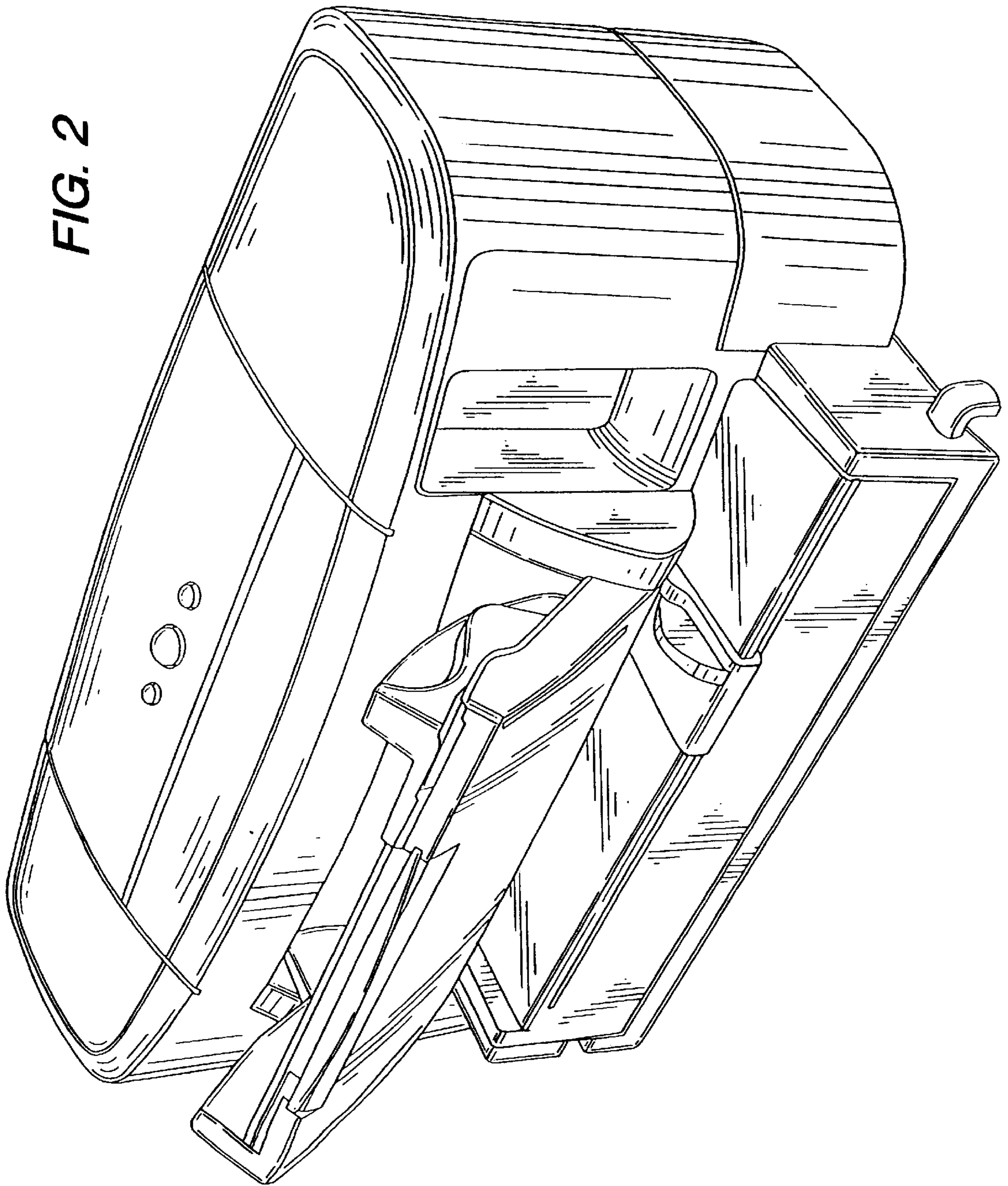


FIG. 3

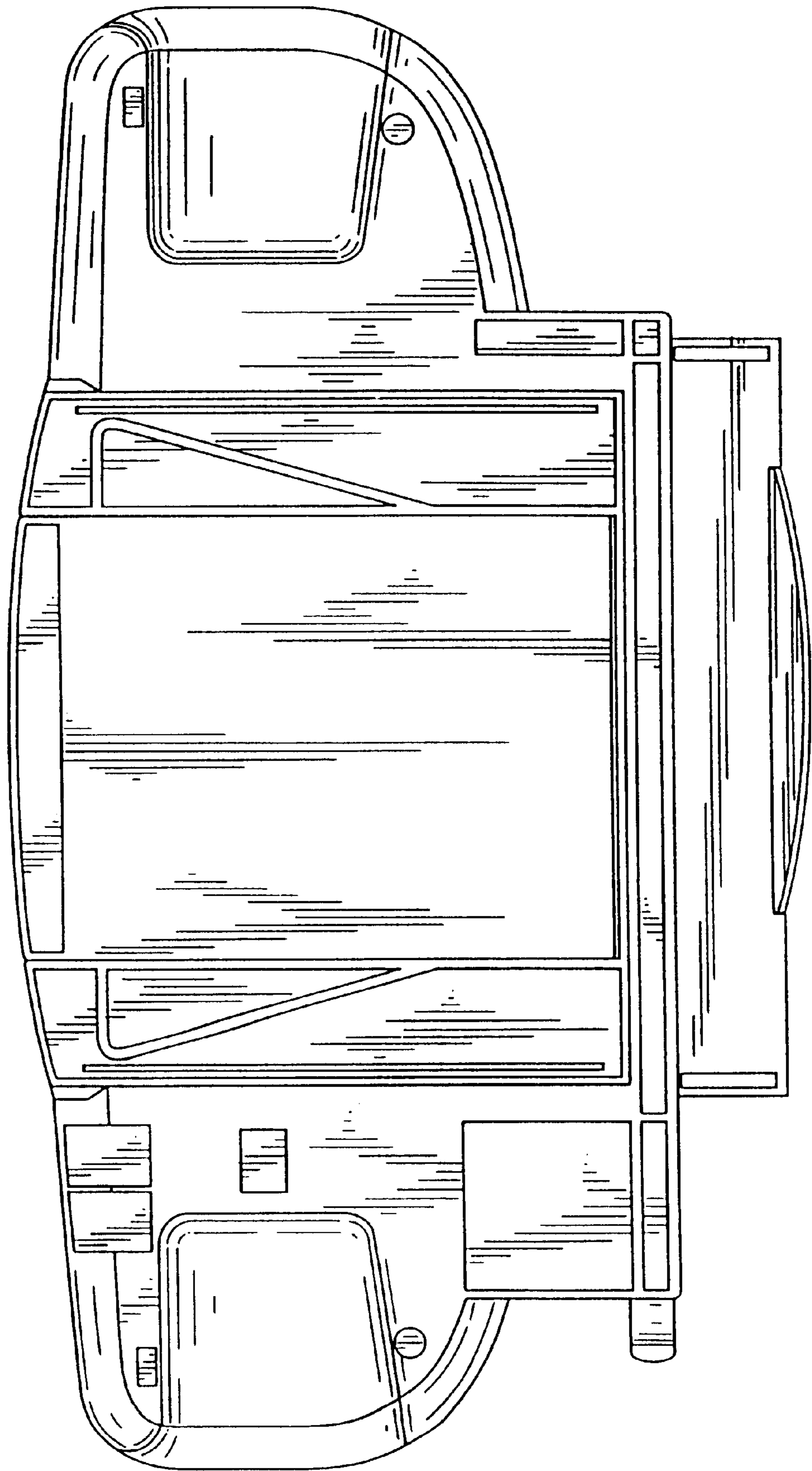


FIG. 4

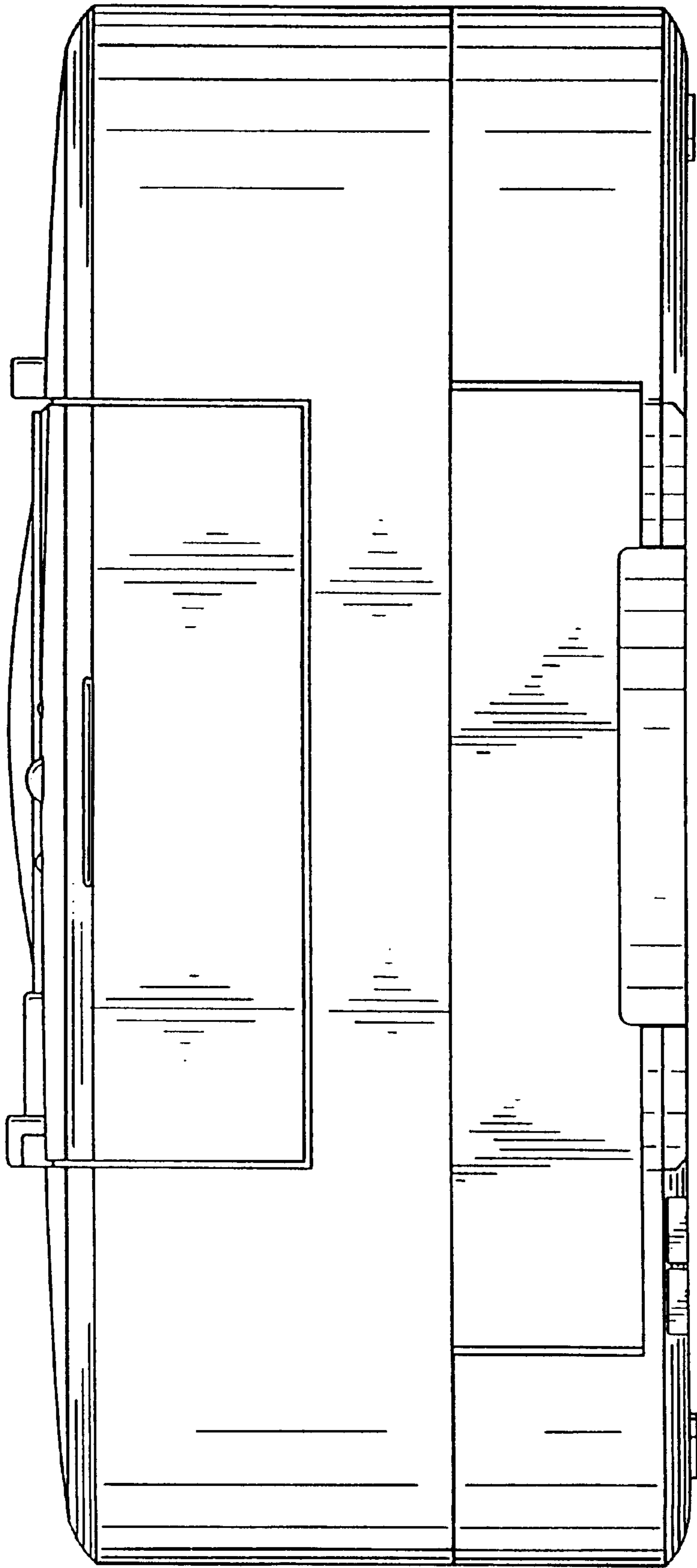


FIG. 5

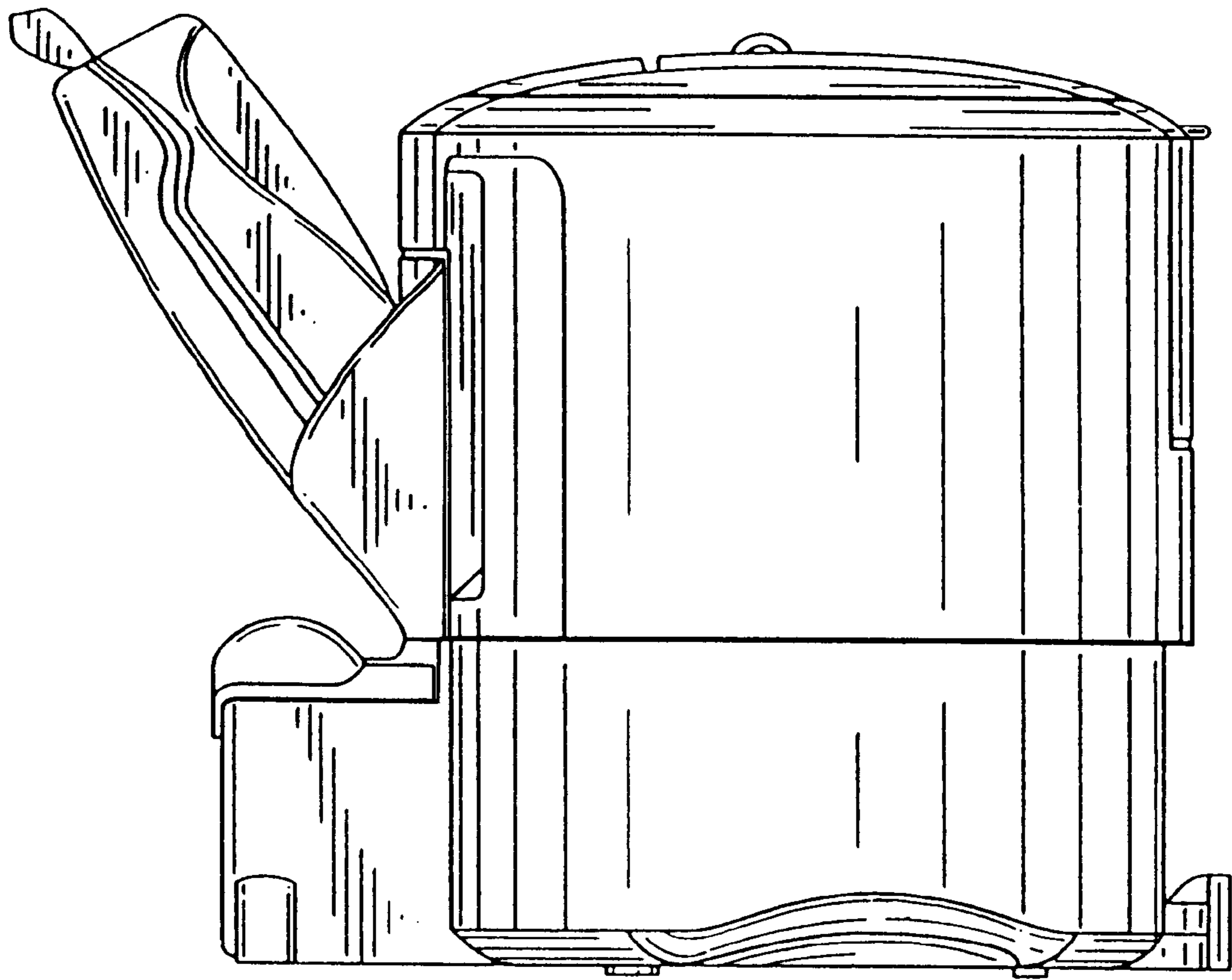


FIG. 6

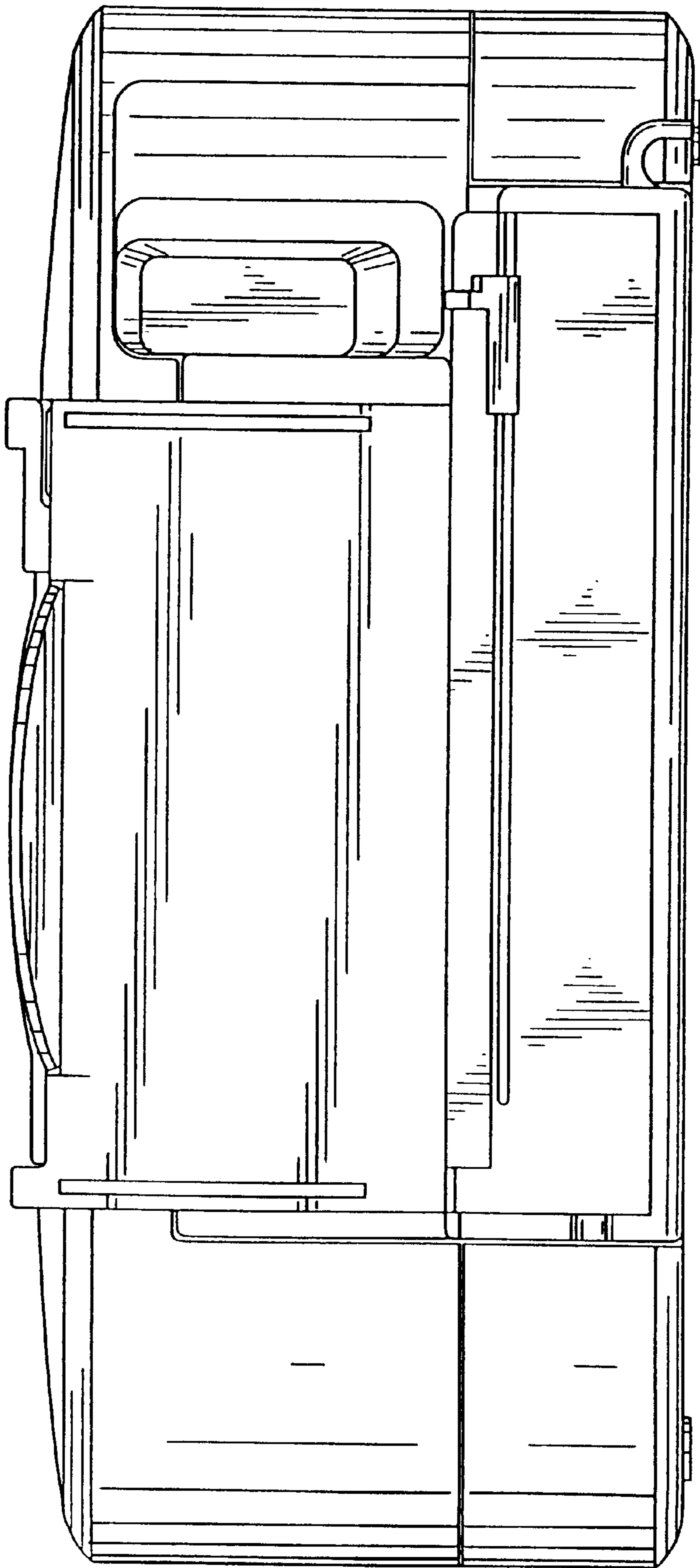


FIG. 7

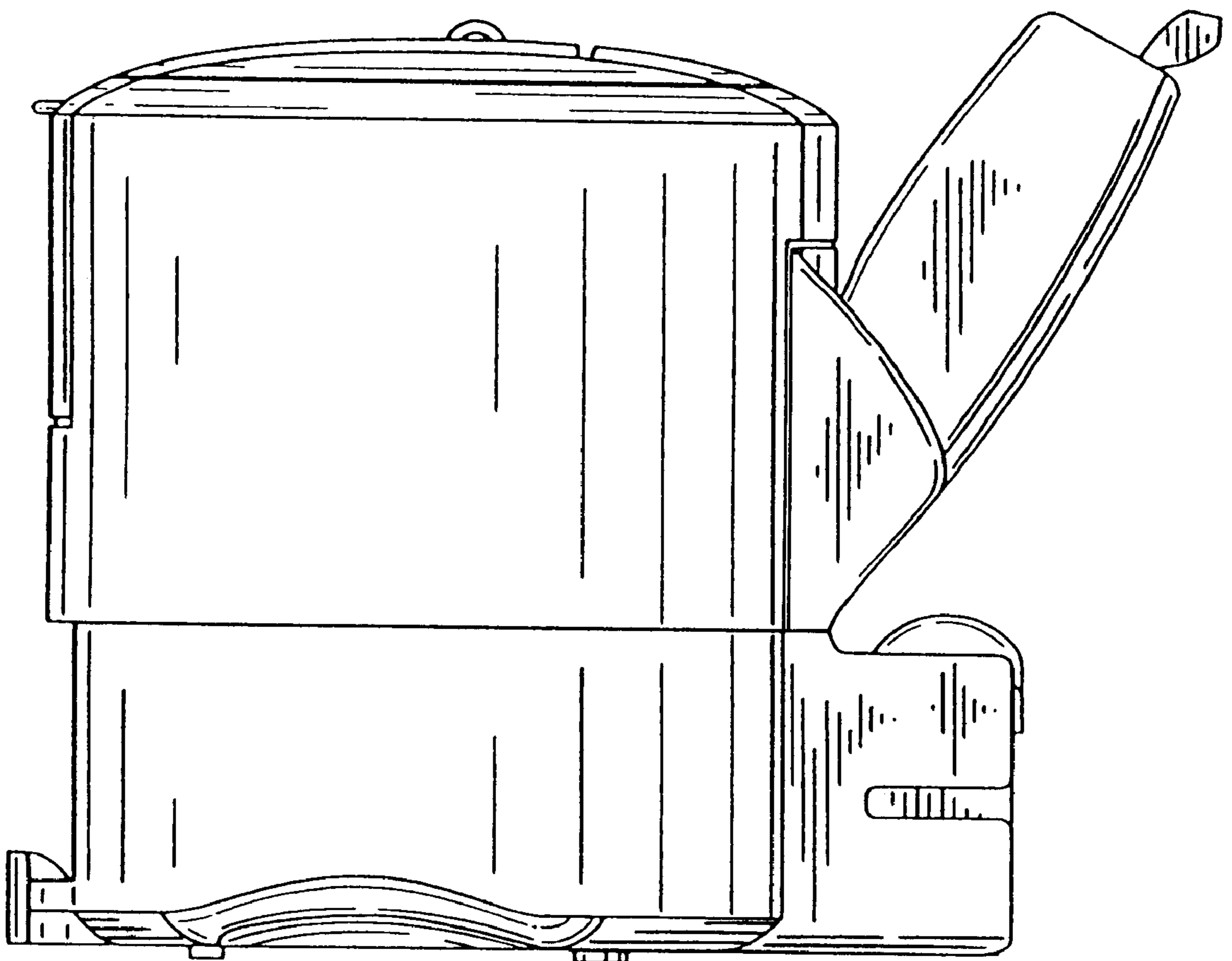


FIG. 8

