



US00D430588S

**United States Patent** [19]  
**Goldberg et al.**

[11] **Patent Number: Des. 430,588**

[45] **Date of Patent: \*\* Sep. 5, 2000**

[54] **VIDEO MAGNIFIER FOR ASSISTING PERSONS WITH VISION IMPAIRMENT**

5,633,674 5/1997 Trulaske et al. .... 348/63  
5,831,667 11/1998 Siminou ..... 348/63

[75] Inventors: **Neil J. Goldberg; Edward J. Cornelius, III**, both of San Francisco; **Kin Shan Lau**, San Jose; **T. Lee Dahlmann**, Morgan Hill; **Timothy S. Couture**, Sunnyvale, all of Calif.; **W. Andrew Morrison**, Ooltewah, Tenn.

*Primary Examiner*—Adir Aronovich  
*Attorney, Agent, or Firm*—Majestic, Parsons, Siebert & Hsue

[73] Assignee: **Telesensory Corporation**, Calif.

[57] **CLAIM**

[\*\*] Term: **14 Years**

The ornamental design for a video magnifier for assisting persons with vision impairment, as shown and described.

[21] Appl. No.: **29/108,931**

**DESCRIPTION**

[22] Filed: **Aug. 4, 1999**

[51] **LOC (7) Cl.** ..... **16-02**

[52] **U.S. Cl.** ..... **D16/225; D16/135**

[58] **Field of Search** ..... **D16/131, 135, D16/221, 225; D21/514; 348/62, 63, 358; 382/114; 434/324**

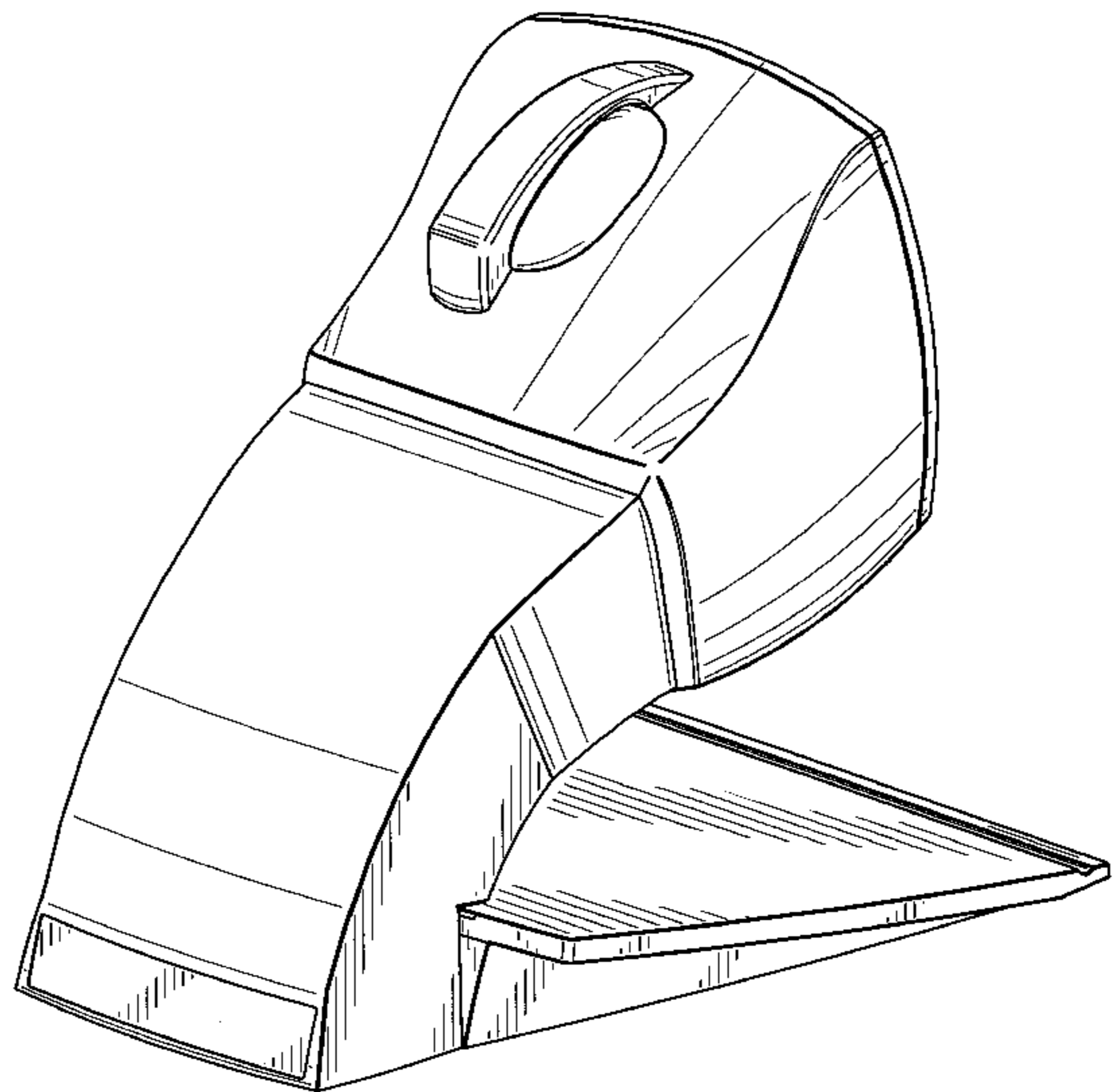
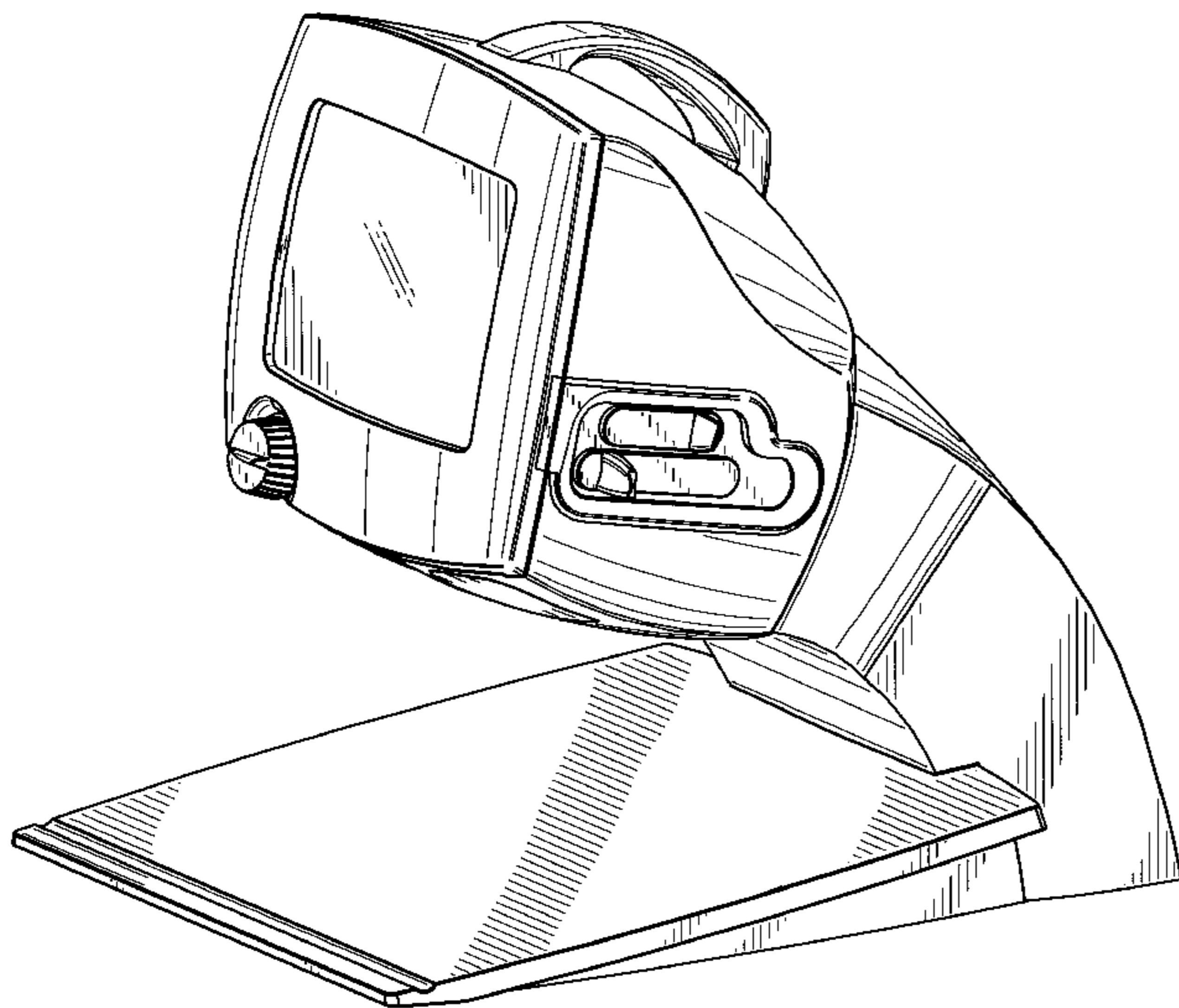
FIG. 1 is an upper right front perspective view of a video magnifier for assisting persons with vision impairment; FIG. 2 is an upper left rear perspective view of the video magnifier for assisting persons with vision impairment; FIG. 3 is a front elevational view of the video magnifier for assisting persons with vision impairment; FIG. 4 is a right side elevational view of the video magnifier for assisting persons with vision impairment; FIG. 5 is a left side elevational view of the video magnifier for assisting persons with vision impairment; FIG. 6 is a rear elevational view of the video magnifier for assisting persons with vision impairment; FIG. 7 is a top plan view of the video magnifier for assisting persons with vision impairment; FIG. 8 is a bottom plan view of the video magnifier for assisting persons with vision impairment; and, FIG. 9 is a bottom plan view of the upper portion of the video magnifier for assisting persons with vision impairment taken along line 9—9 in FIGS. 3 and 4.

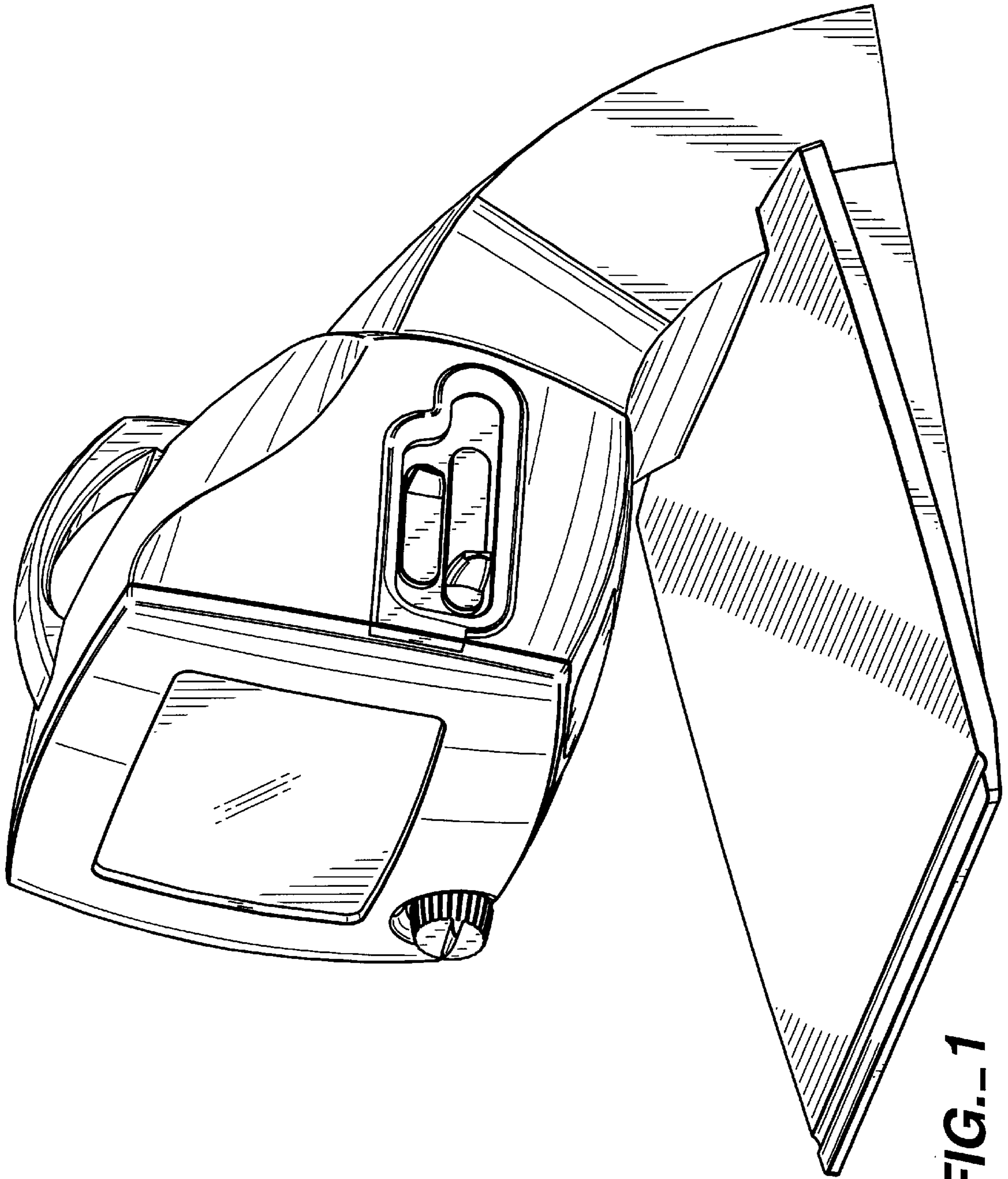
[56] **References Cited**

**U.S. PATENT DOCUMENTS**

D. 127,030	5/1941	Bettcher	.....	D16/135
D. 134,484	12/1942	Gradisar et al.	.....	D16/225
D. 245,934	9/1977	Donaldson	.....	D21/514
D. 359,059	6/1995	Omi	.....	D16/131
4,928,170	5/1990	Soloveychik et al.	.....	348/63
5,125,046	6/1992	Siwoff	.....	382/114
5,267,331	11/1993	Siwoff	.....	382/114

**1 Claim, 9 Drawing Sheets**





**FIG. 1**

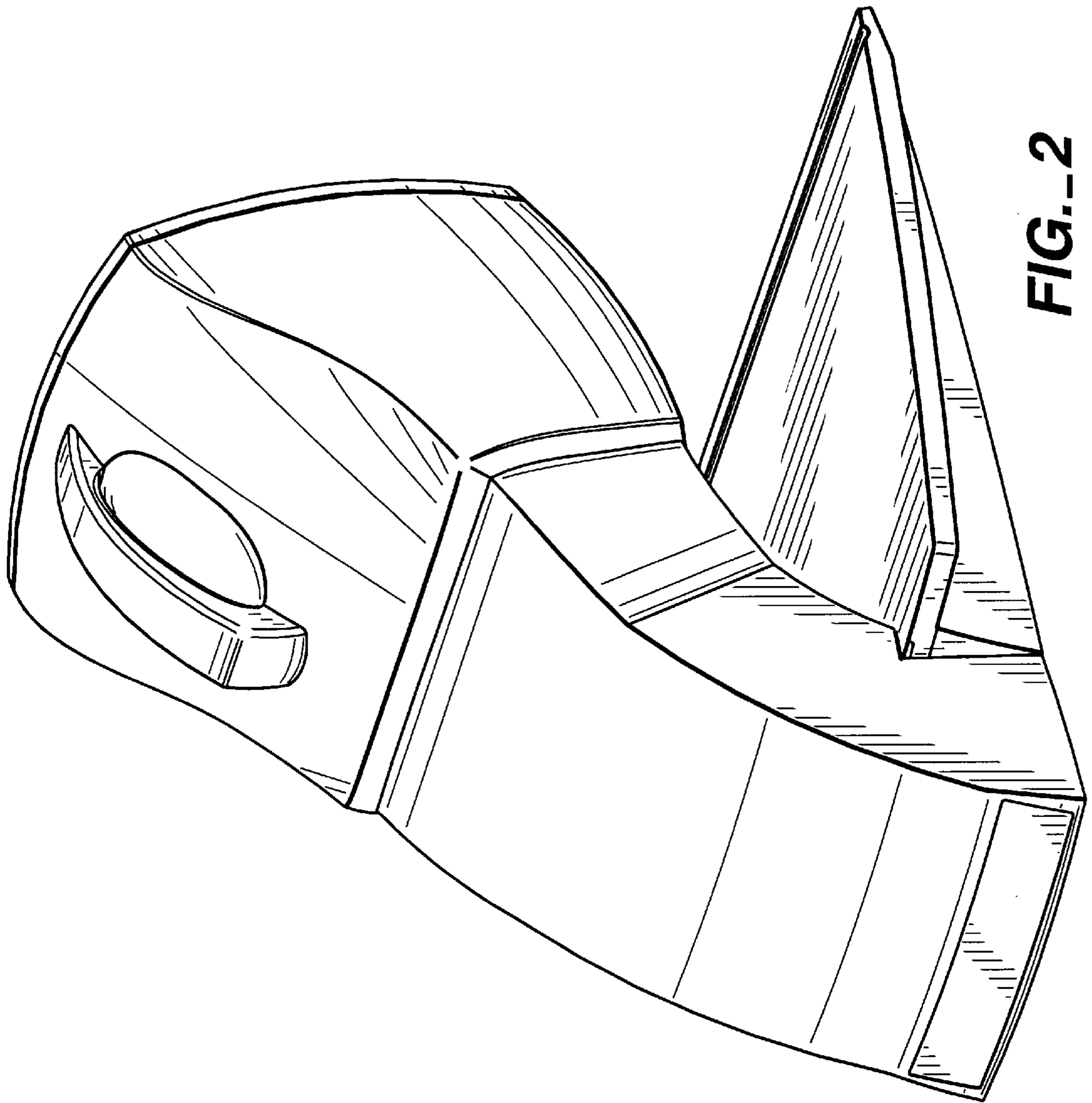
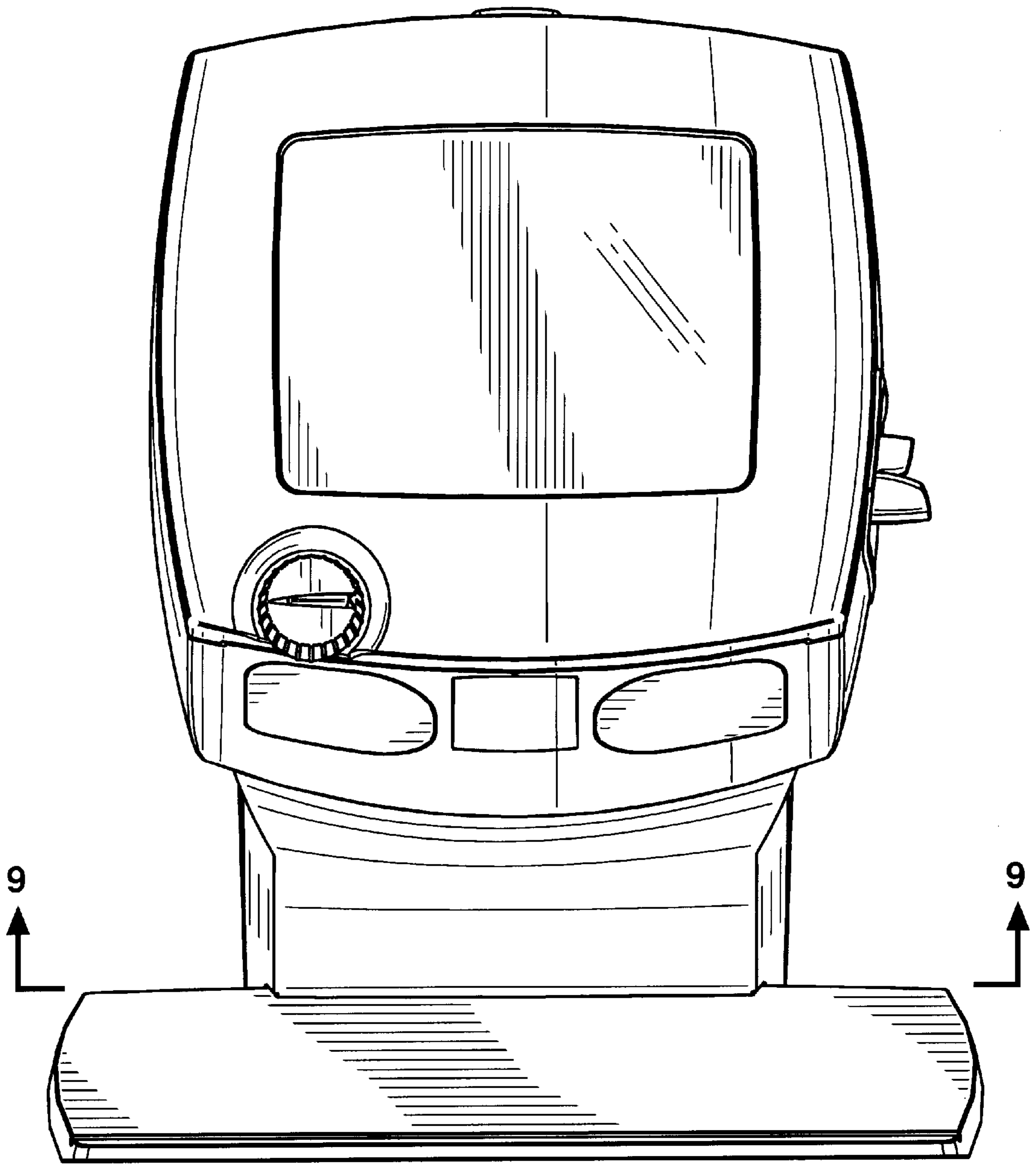
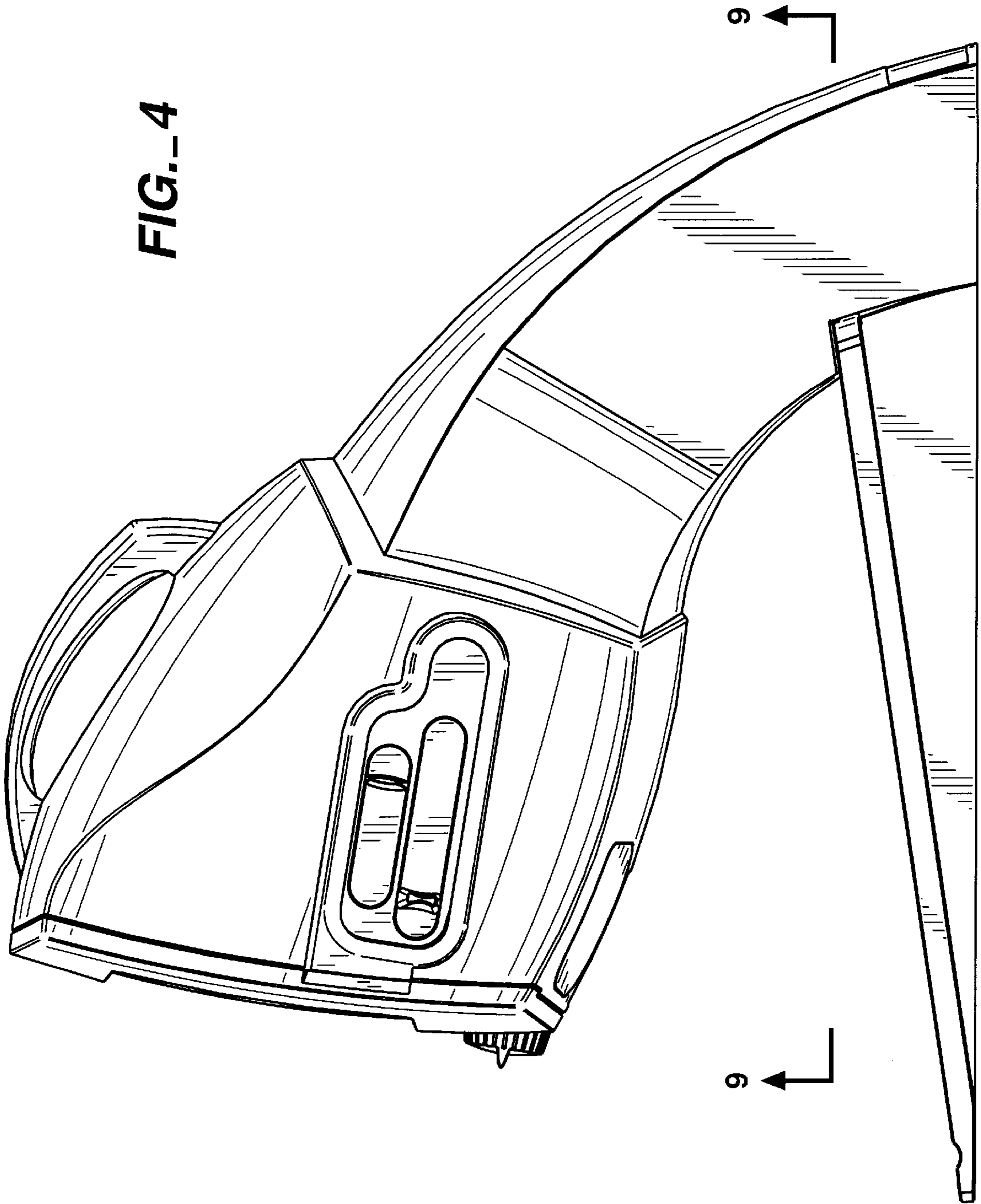


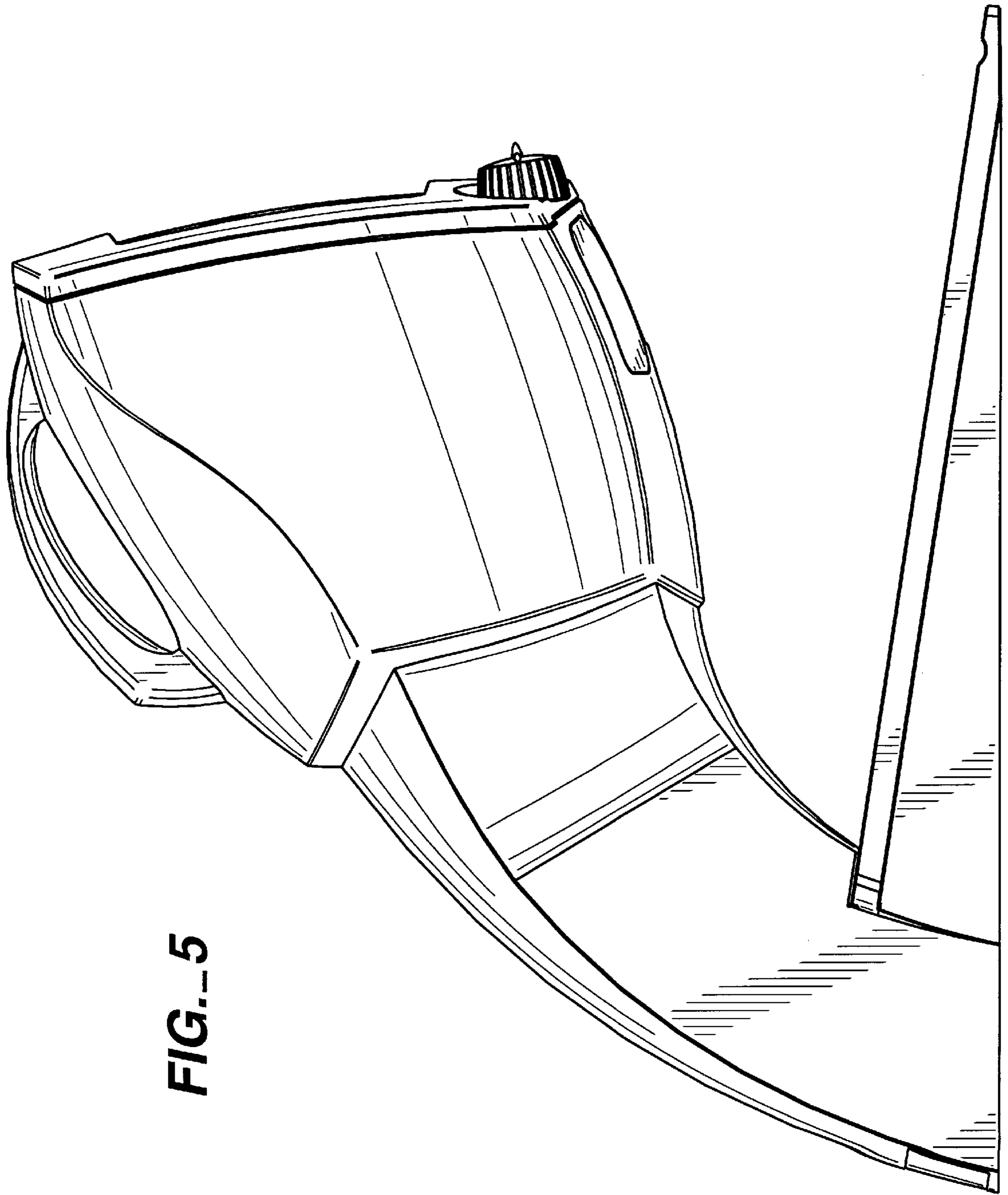
FIG.-2



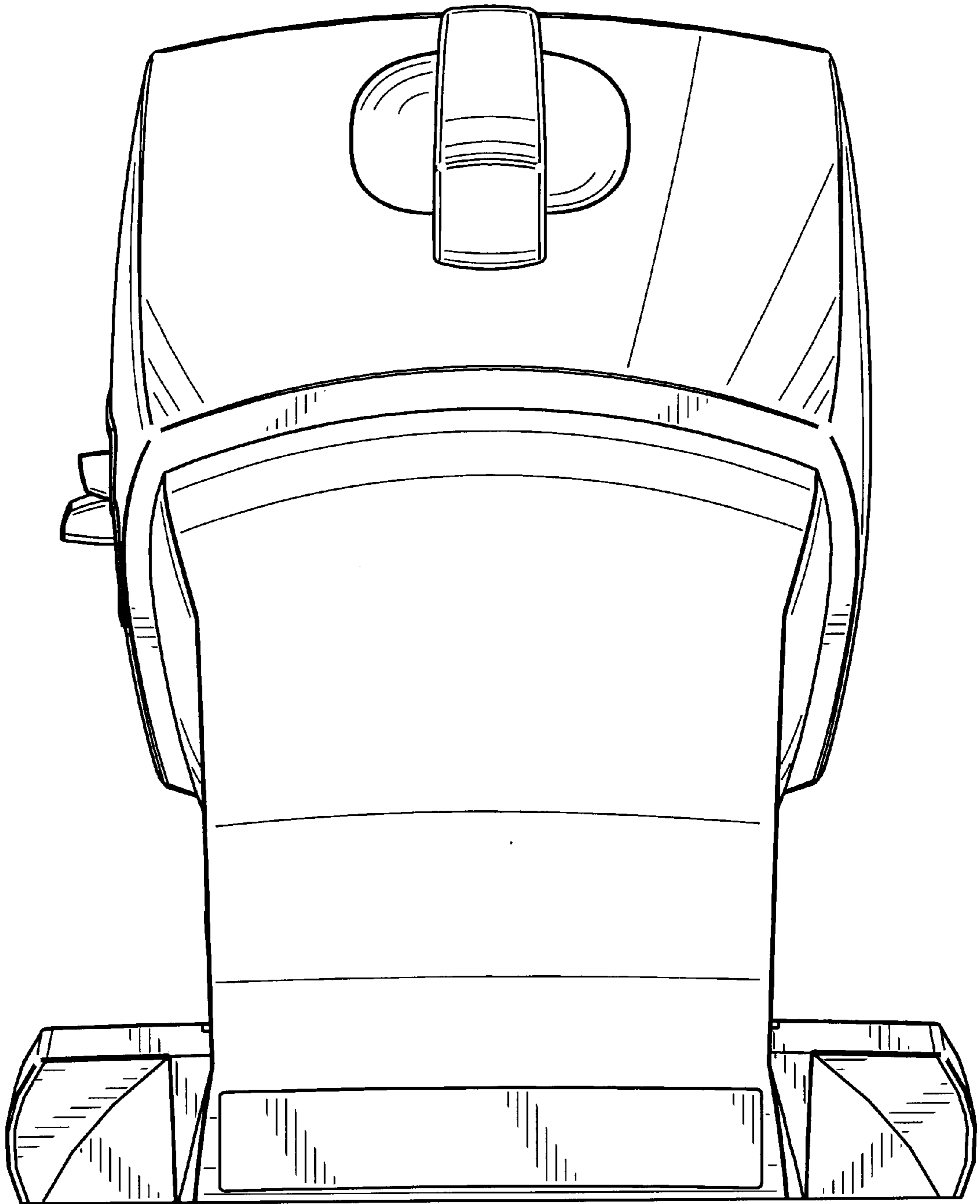
**FIG. 3**

FIG. 4

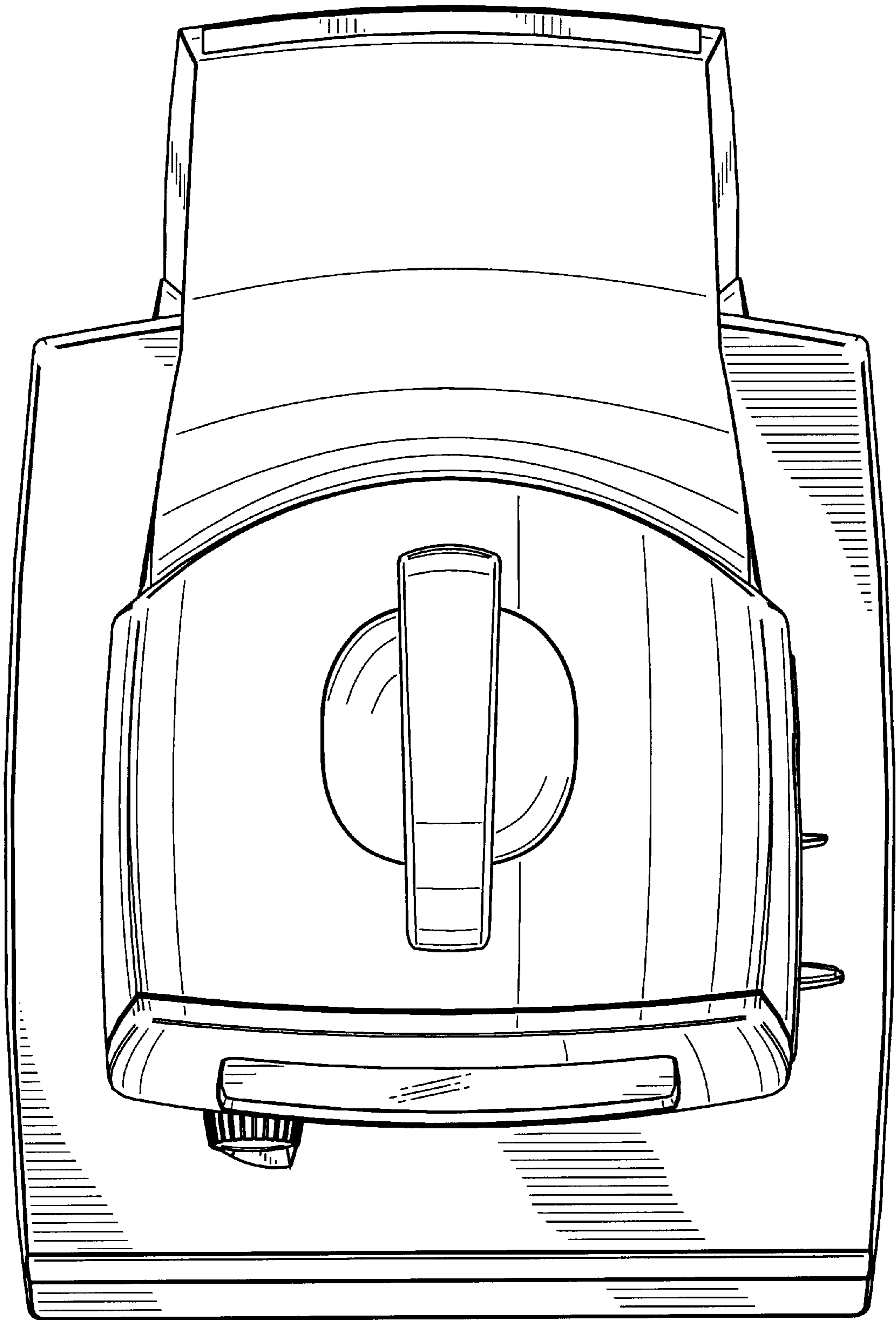




**FIG. 5**

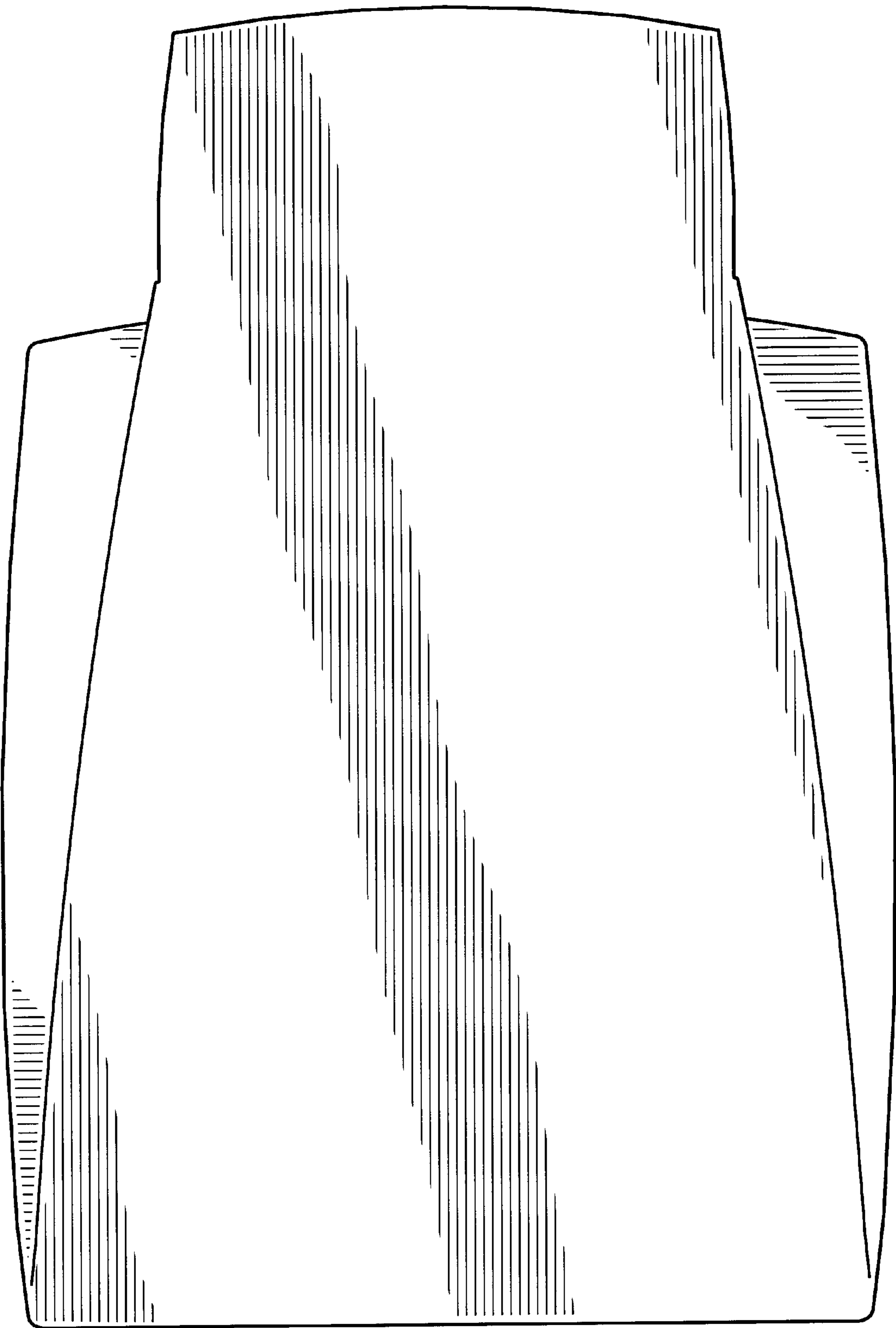


**FIG. 6**

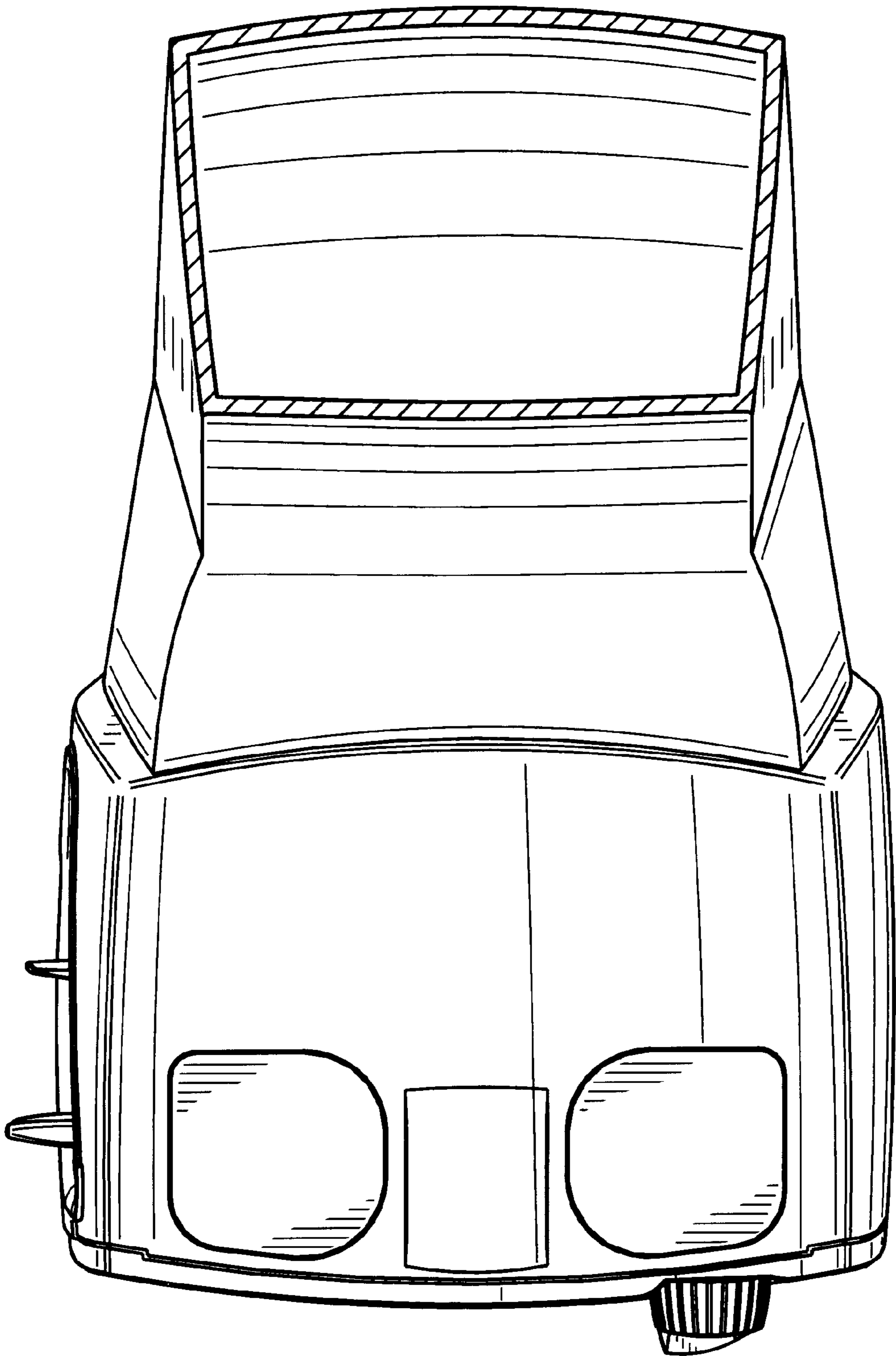


**FIG. 7**





**FIG. 8**



**FIG. 9**