



US00D430586S

United States Patent [19]

Inaba

[11] Patent Number: **Des. 430,586**

[45] Date of Patent: **** Sep. 5, 2000**

[54] **BINOCULARS**

[75] Inventor: **Toshiya Inaba**, Tokyo, Japan

[73] Assignee: **Asahi Kogaku Kogyo Kabushiki Kaisha**, Tokyo, Japan

[**] Term: **14 Years**

[21] Appl. No.: **29/112,479**

[22] Filed: **Oct. 19, 1999**

[30] Foreign Application Priority Data

Apr. 19, 1999 [JP] Japan 11-10273

[51] **LOC (7) Cl.** **16-60**

[52] **U.S. Cl.** **D16/133**

[58] **Field of Search** D16/130, 132, D16/133; 359/407, 408, 409, 410, 411, 412, 413, 414, 415, 416, 417, 418

[56] References Cited

U.S. PATENT DOCUMENTS

- D. 306,606 3/1990 Yamanaka et al. D16/133
- D. 359,973 7/1995 Hayamizu .

- D. 360,215 7/1995 Moro et al. D16/133
- D. 375,106 10/1996 Matsuda et al. D16/133
- D. 376,167 12/1996 Hayamizu D16/133
- D. 395,905 7/1998 Hamamura D16/133
- D. 413,131 8/1999 Koinuma D16/133

Primary Examiner—Paula A. Mortimer
Attorney, Agent, or Firm—Sughrue, Mion, Zinn, Macpeak & Seas, PLLC

[57] CLAIM

The ornamental design for binoculars, as shown and described.

DESCRIPTION

FIG. 1 is a perspective view of the top, front and right side of binoculars showing my new design;
 FIG. 2 is a right side elevational view thereof;
 FIG. 3 is a top plan view thereof;
 FIG. 4 is a front elevational view thereof;
 FIG. 5 is a rear elevational view thereof;
 FIG. 6 is a bottom plan view thereof;
 FIG. 7 is a left side elevational view thereof; and,
 FIG. 8 is a perspective view of the top, front and right side with the eye pieces pivoted to an adjusted position.

1 Claim, 4 Drawing Sheets

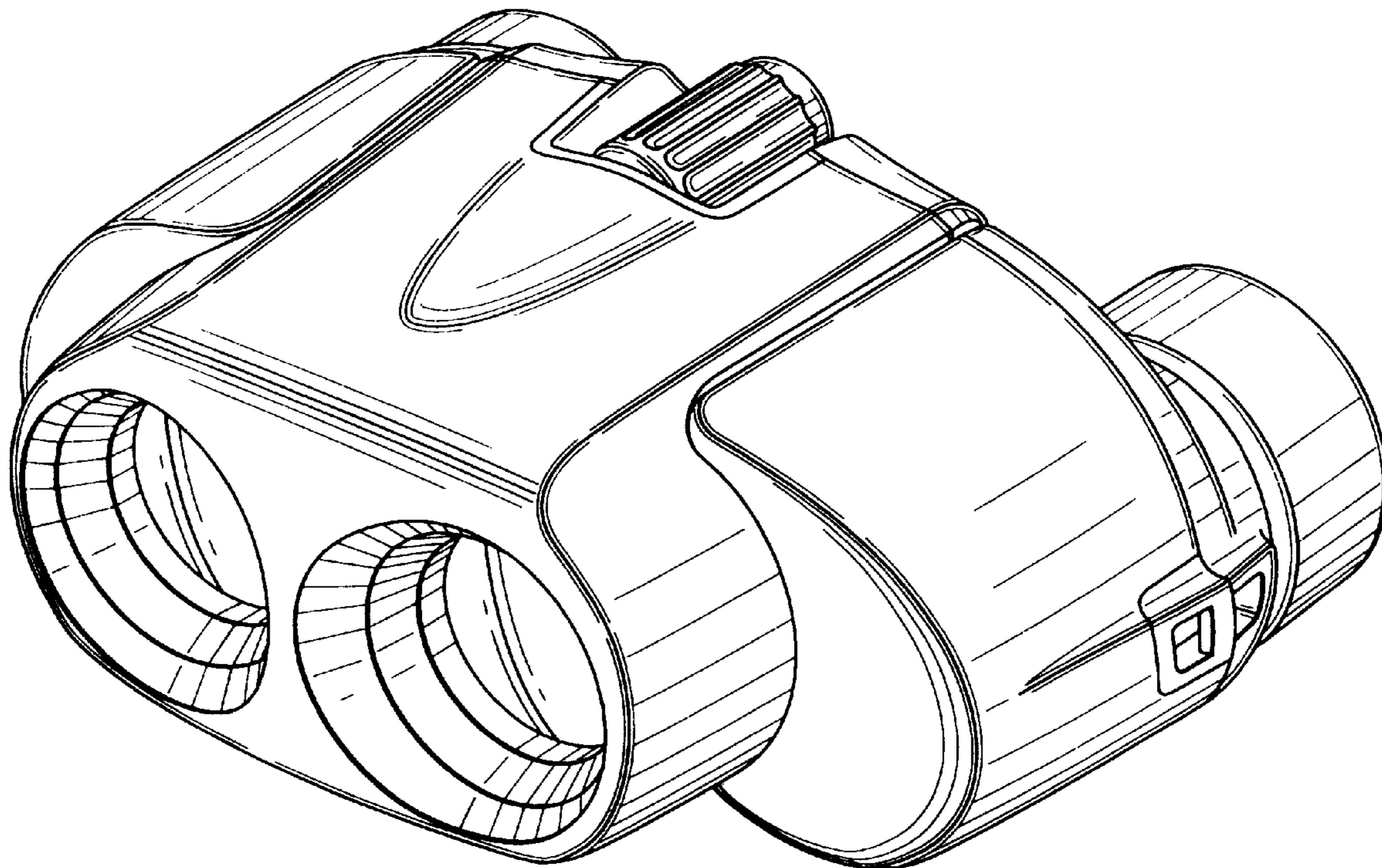


FIG. 1

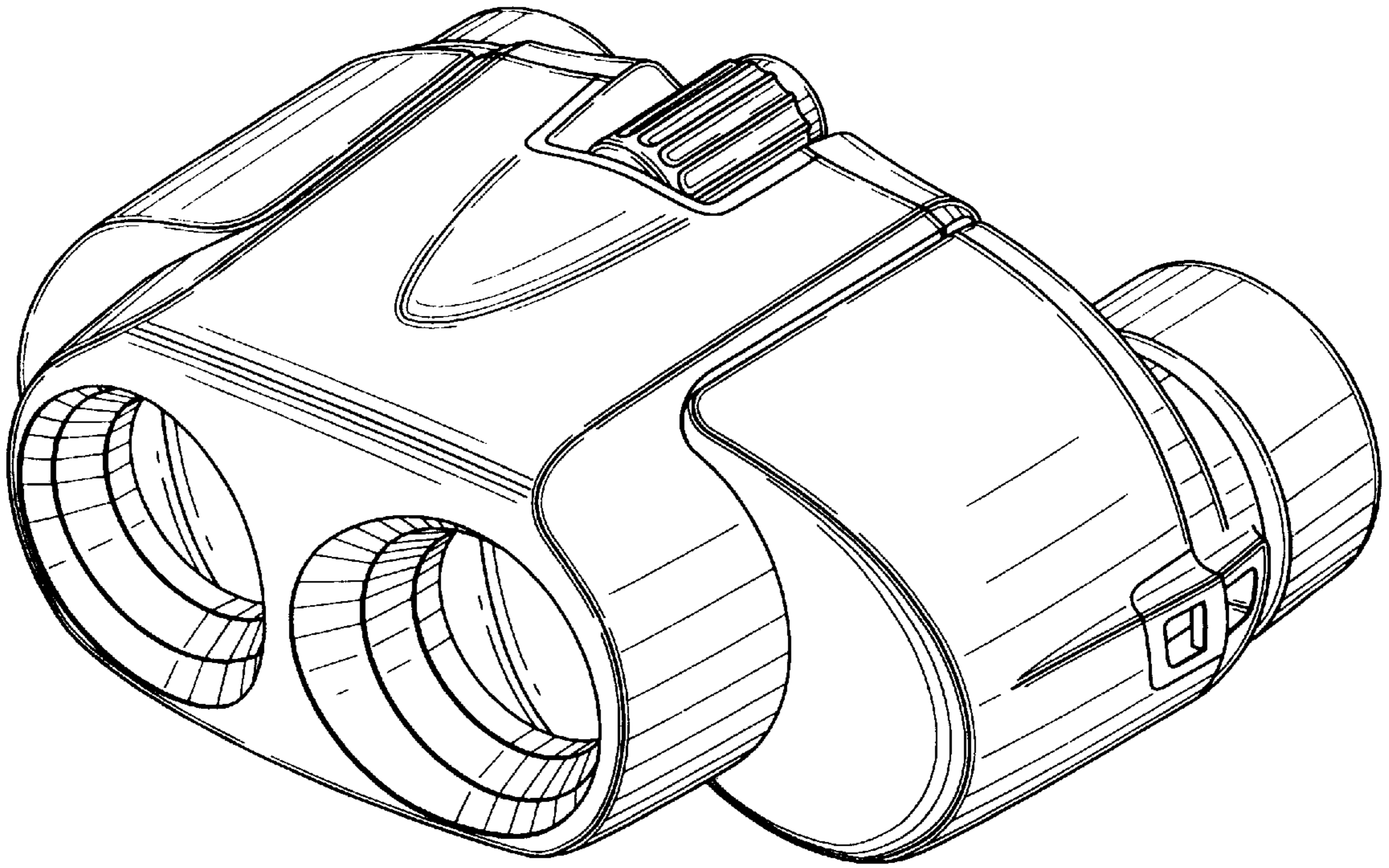


FIG. 2

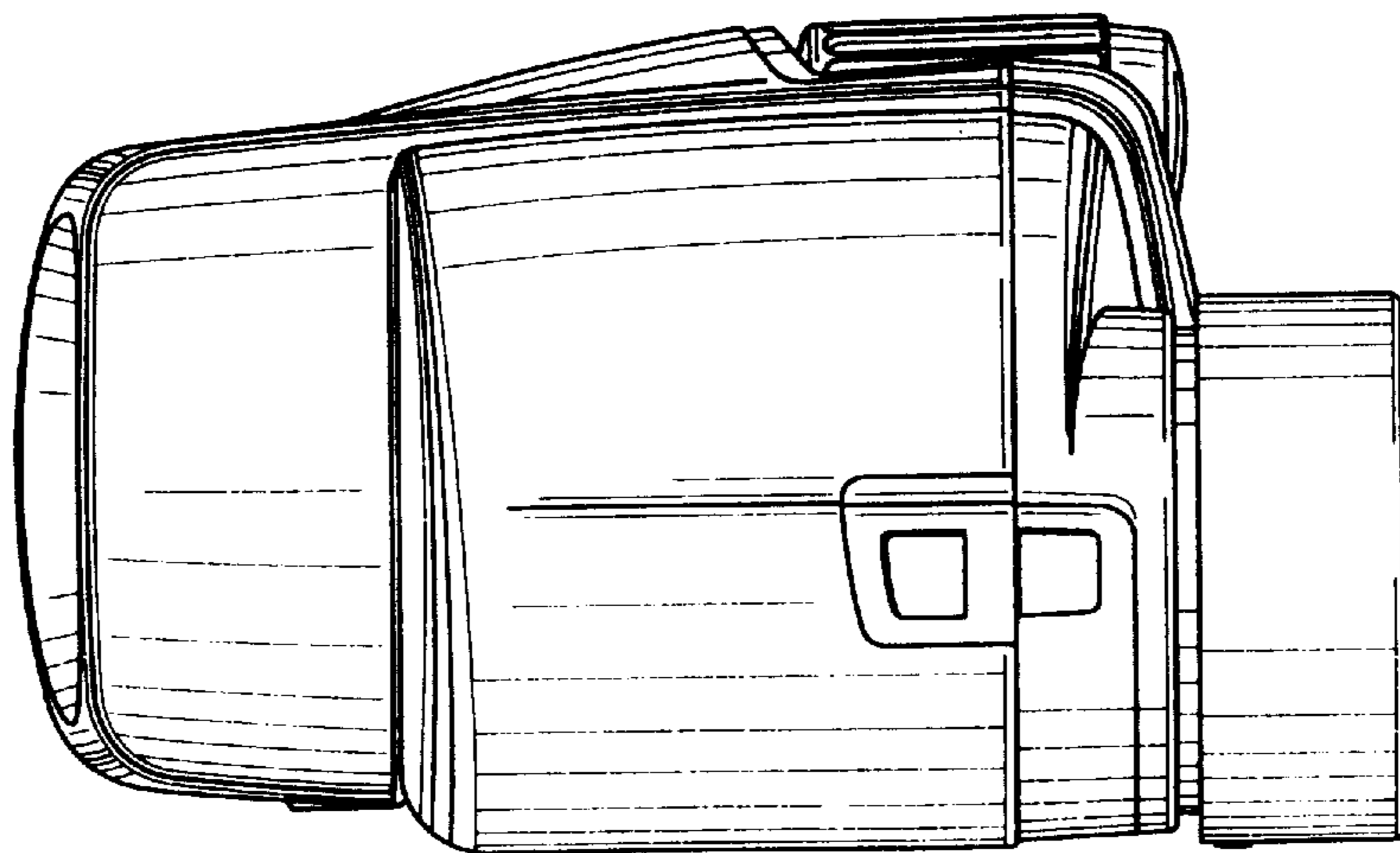


FIG. 3

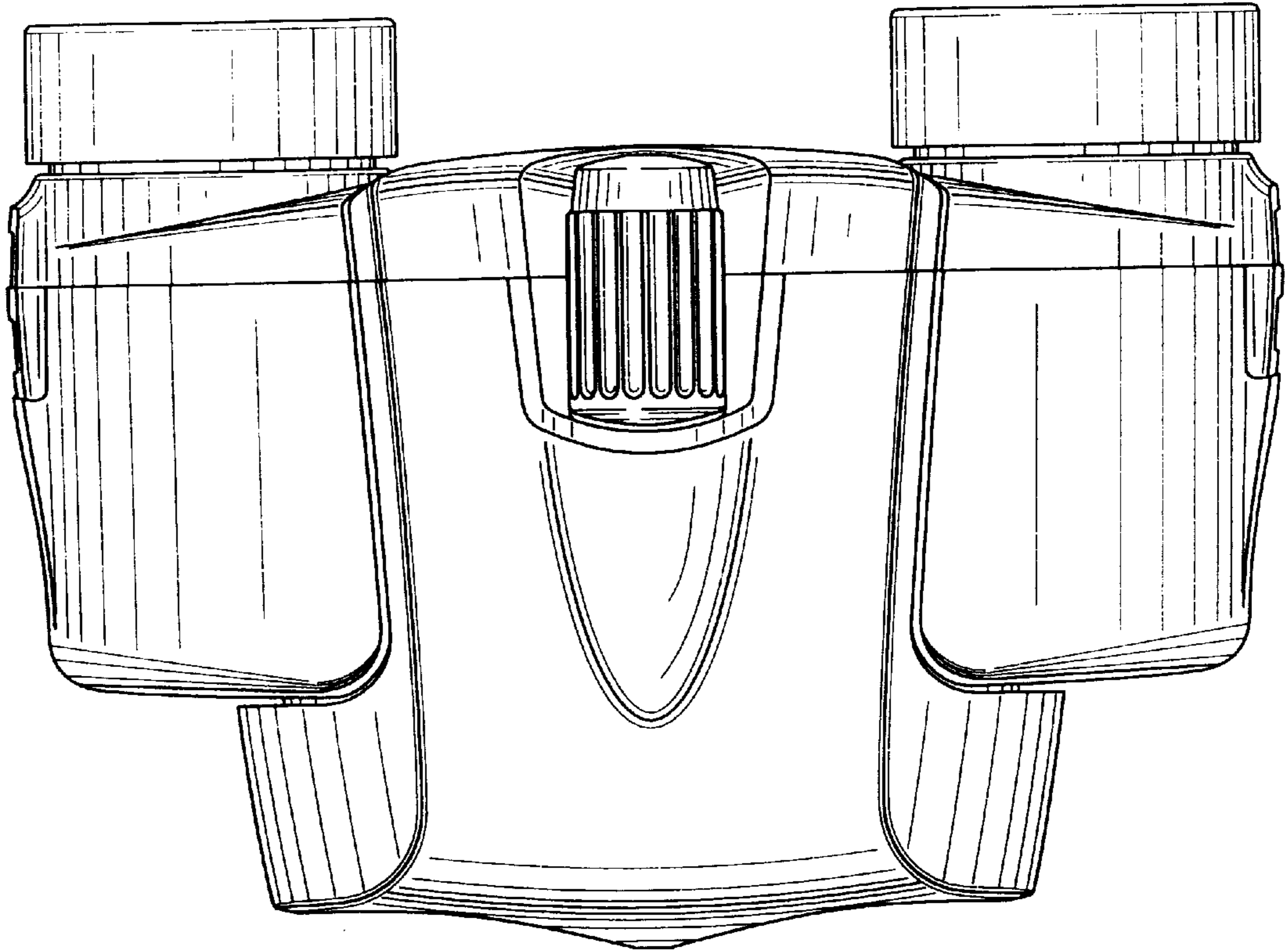


FIG. 4

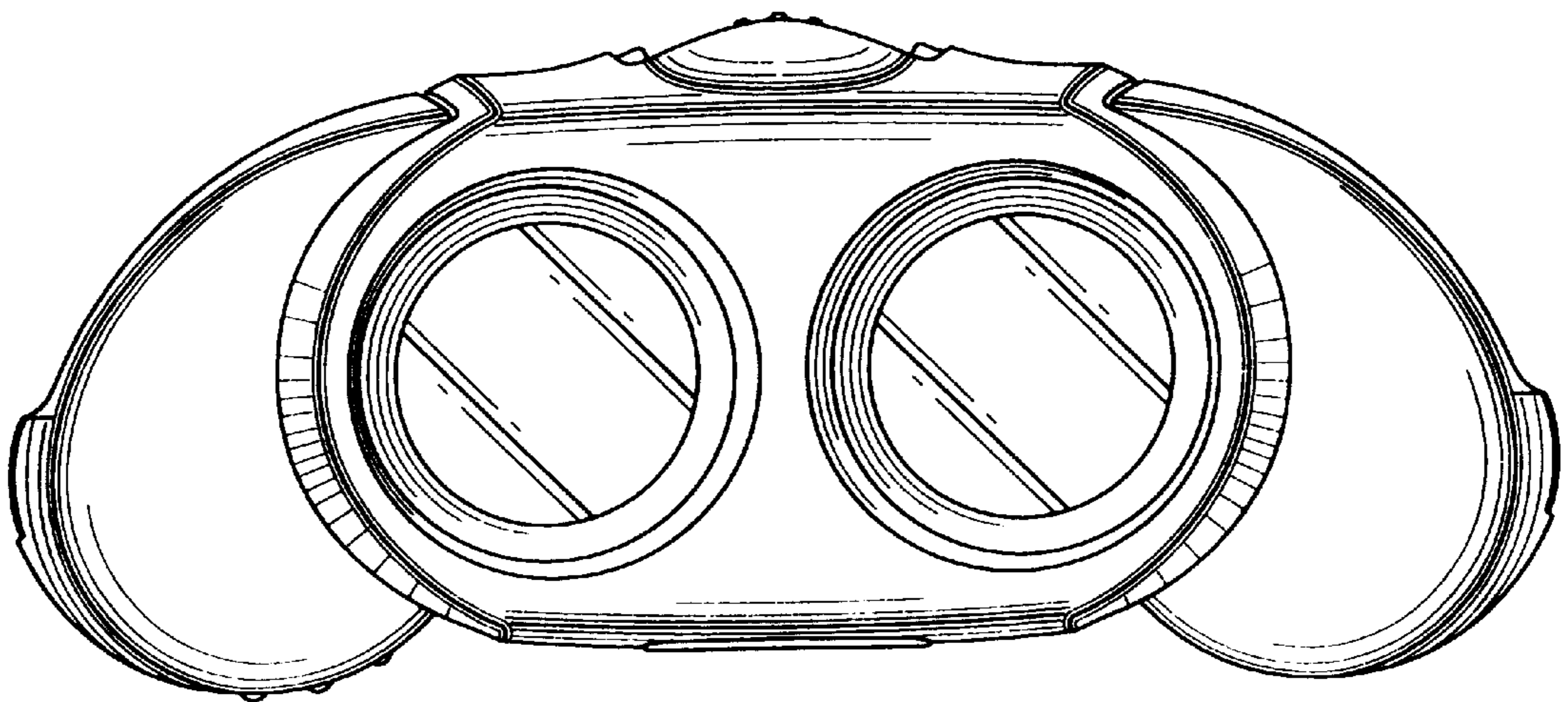


FIG. 5

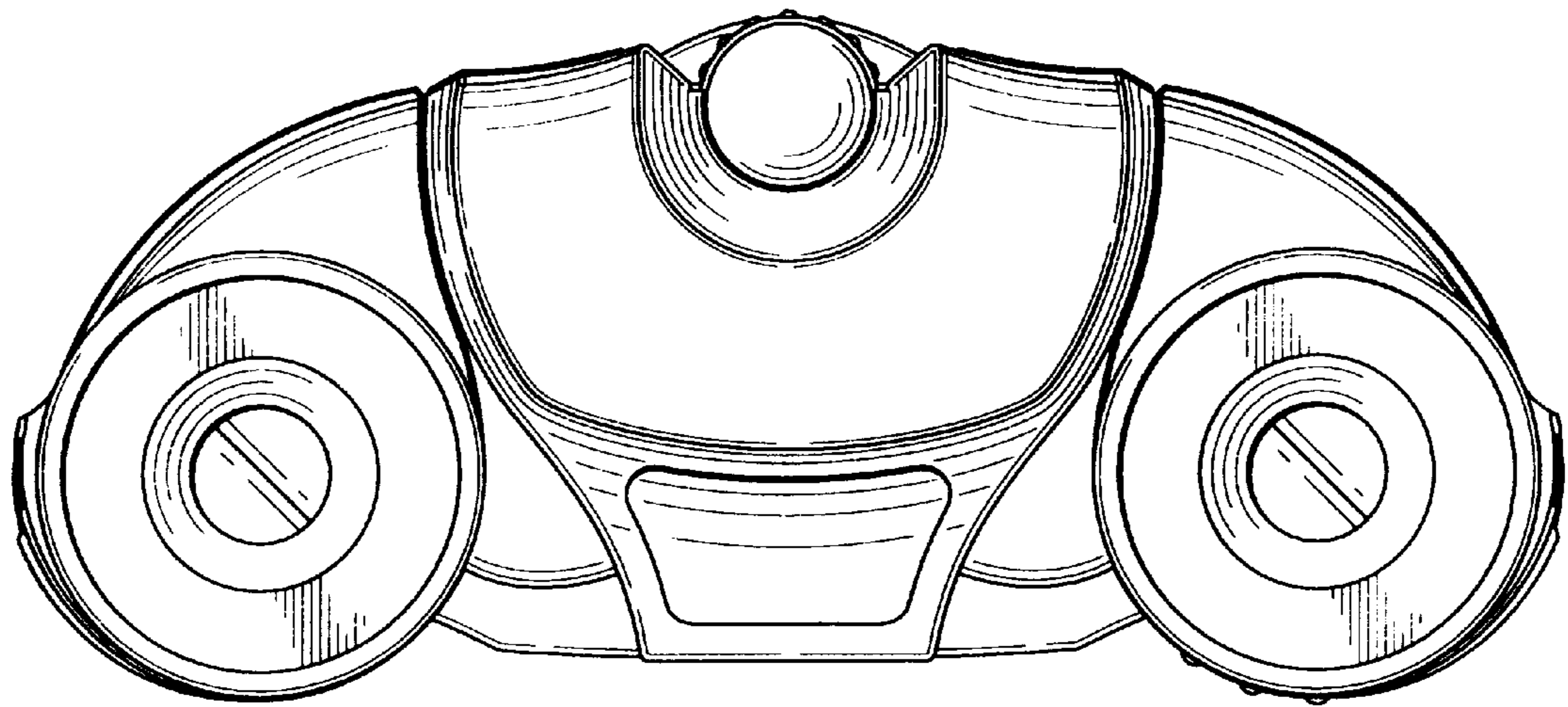


FIG. 6

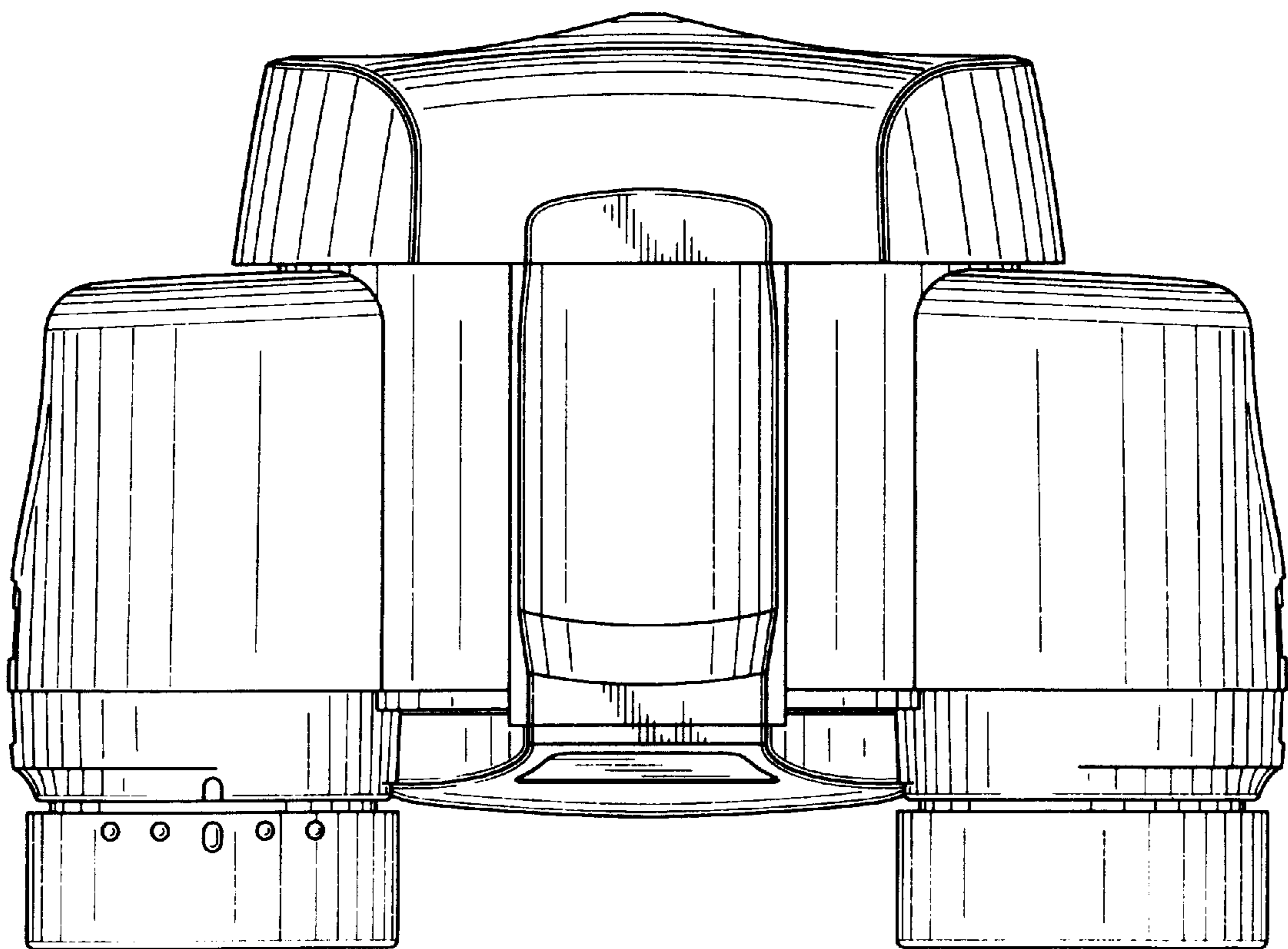


FIG. 7

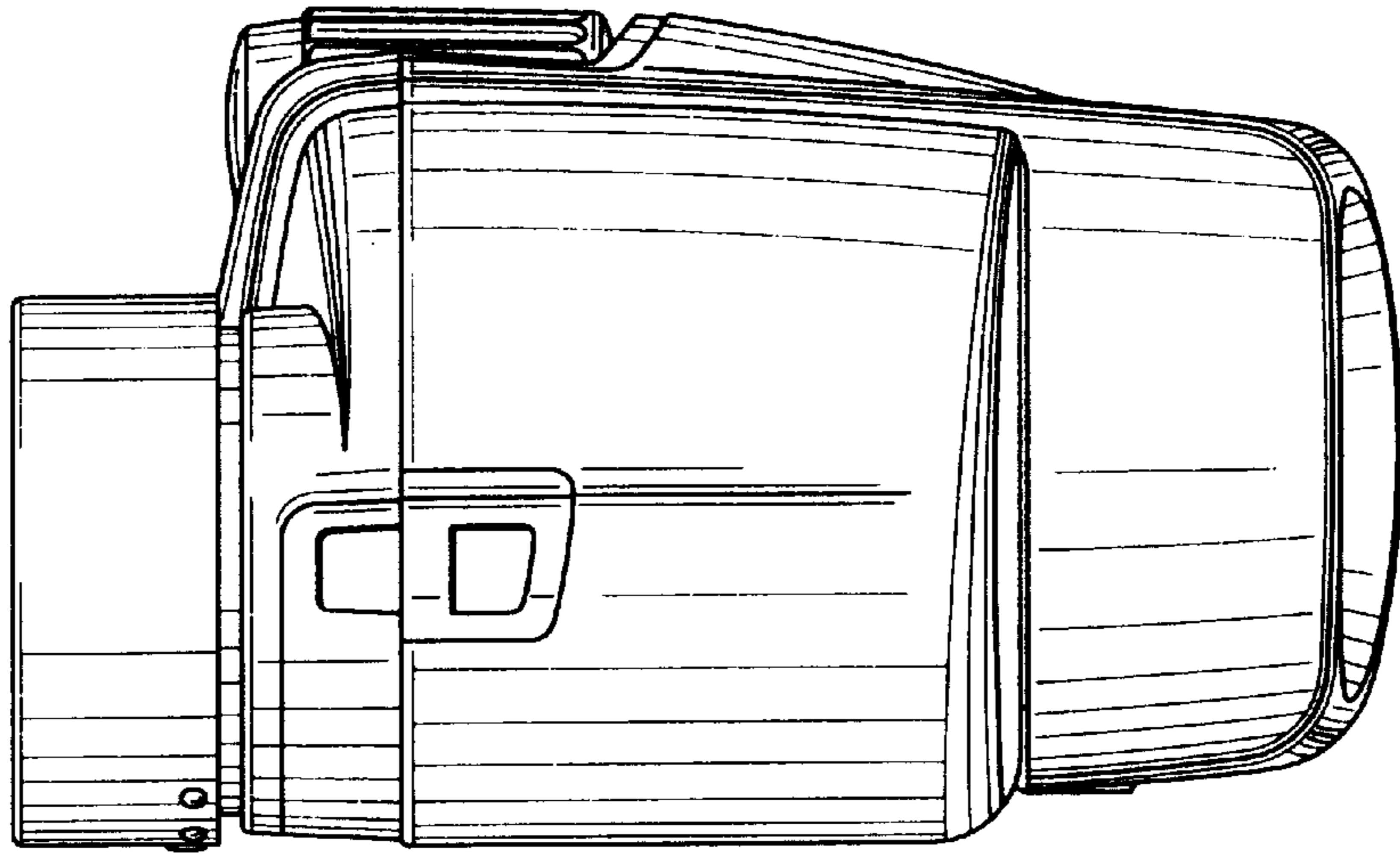


FIG. 8

