



US00D430584S

United States Patent [19] Kouvelis

[11] Patent Number: Des. 430,584

[45] Date of Patent: ** Sep. 5, 2000

[54] DRILL BIT

[75] Inventor: Thomas Kouvelis, Antioch, Ill.

[73] Assignee: Kouvato, Inc., LaGrange, Ill.

[**] Term: 14 Years

[21] Appl. No.: 29/115,058

[22] Filed: Dec. 7, 1999

[51] LOC (7) Cl. 15-09

[52] U.S. Cl. D15/139

[58] Field of Search D15/138, 139;
D8/70; 175/80, 132, 426; 408/240, 199-234

[56] **References Cited**

U.S. PATENT DOCUMENTS

D. 257,511	11/1980	Zahn	D15/139
D. 347,848	6/1994	Maynard, Jr.	D15/139
D. 390,239	2/1998	Malin	D15/139
D. 408,424	4/1999	Schmotzer	D15/139
D. 419,575	1/2000	Kouvelis	D15/139
4,210,215	7/1980	Peetz et al.	175/394
4,789,276	12/1988	Clarke	408/230
5,387,059	2/1995	Borzemsky	408/226
5,466,100	11/1995	Ahluwalia	408/224
5,782,636	7/1998	Armstrong et al.	408/225 X
5,797,711	8/1998	Mulgrave et al.	408/226

5,842,267 12/1998 Biederman et al. 408/224 X

Primary Examiner—Antoine Duval Davis
Attorney, Agent, or Firm—Greer, Burns & Crain, Ltd.

[57] **CLAIM**

The ornamental design for a drill bit, as shown and described.

DESCRIPTION

FIG. 1 is a perspective view of a first embodiment of the present new design of a drill bit;
FIG. 2 is a right side elevational view of the first embodiment, the left side and bottom views being identical;
FIG. 3 is a top view thereof;
FIG. 4 is a front end view thereof;
FIG. 5 is a rear end view thereof;
FIG. 6 is a perspective view of a second embodiment of the new design;
FIG. 7 is a right side elevational view of the second embodiment, the left side and bottom views being identical;
FIG. 8 is a top view thereof;
FIG. 9 is a front end view thereof; and,
FIG. 10 is a rear end view thereof.
The broken lines in FIGS. 6-10 showing the flute portion of the drill bit form no part of the claimed design for the second embodiment.

1 Claim, 2 Drawing Sheets

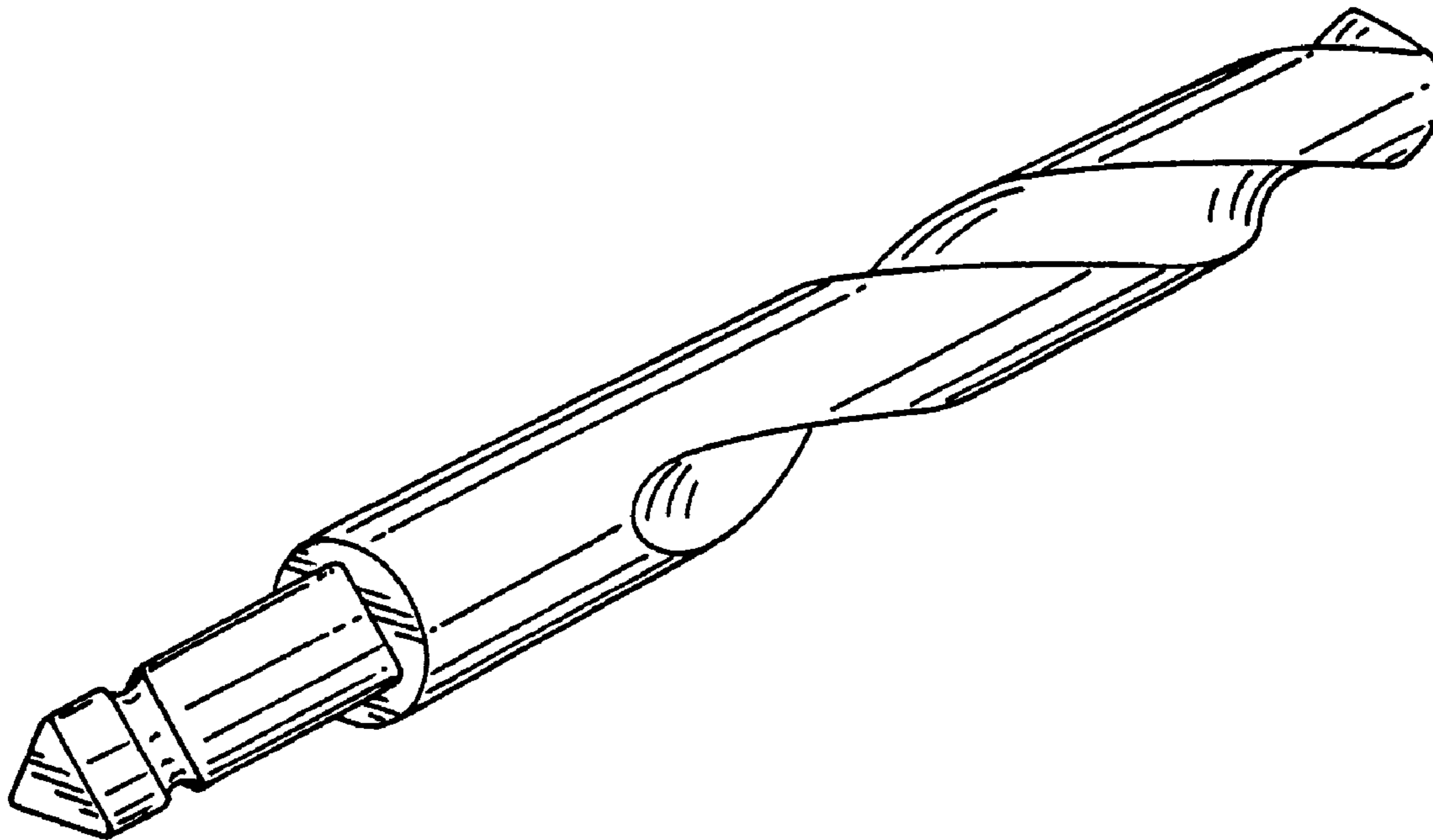


FIG. 1

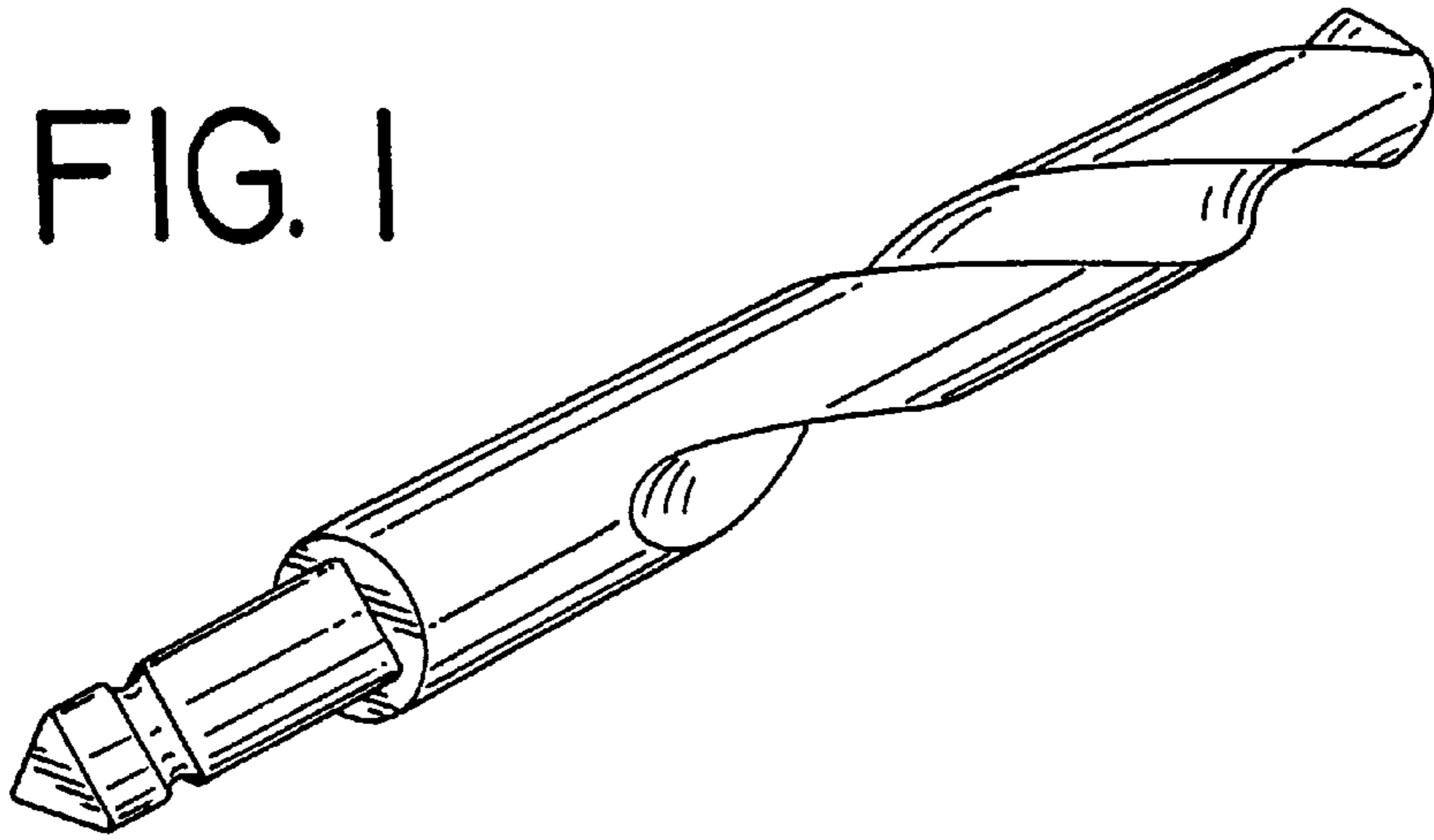


FIG. 2

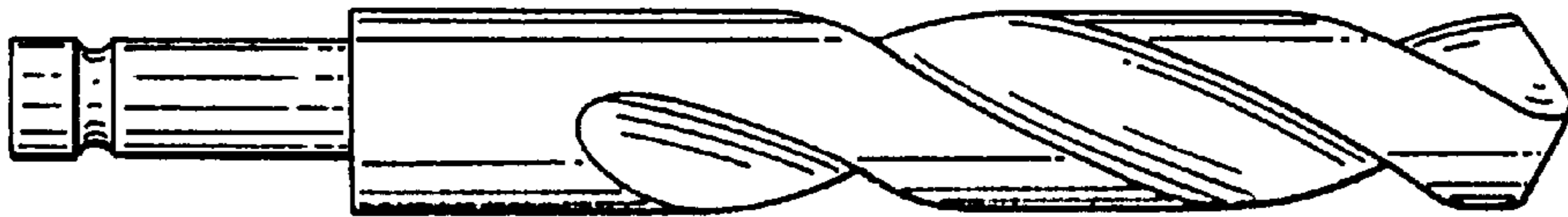


FIG. 3



FIG. 4



FIG. 5



FIG. 6

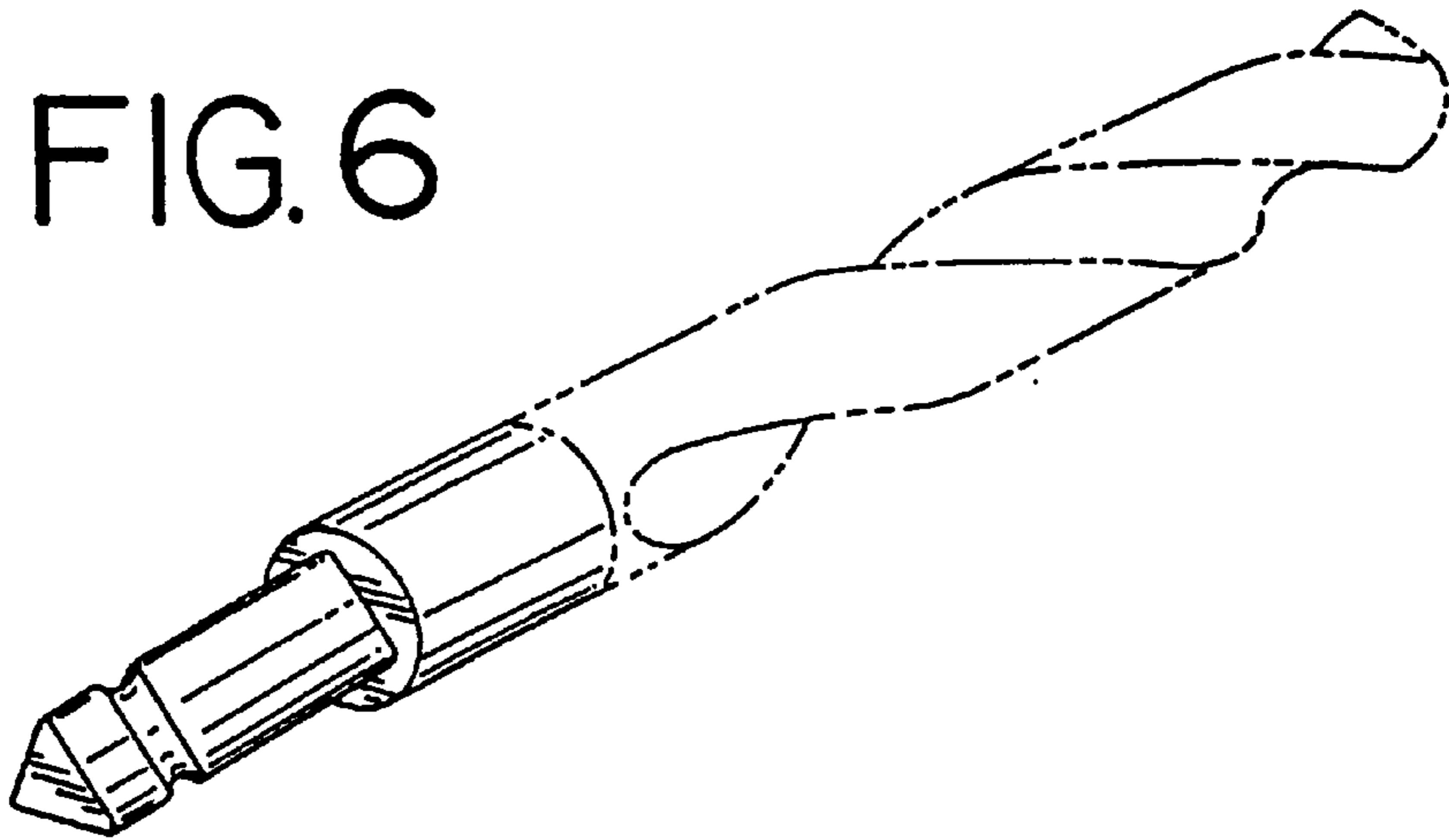


FIG. 7

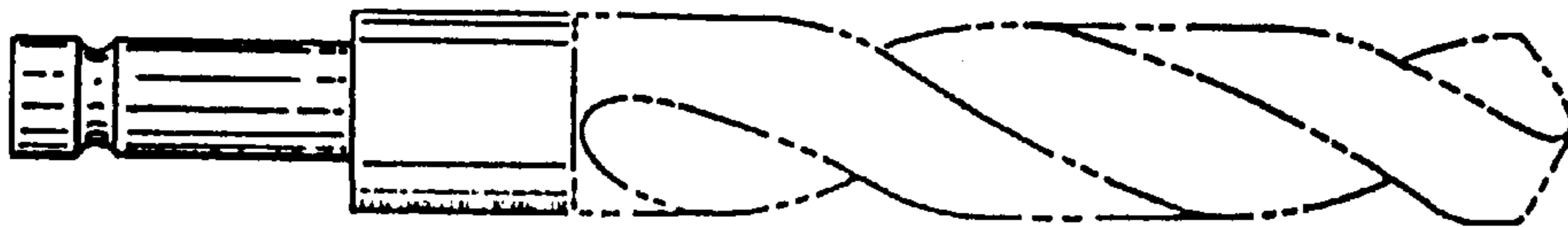


FIG. 8

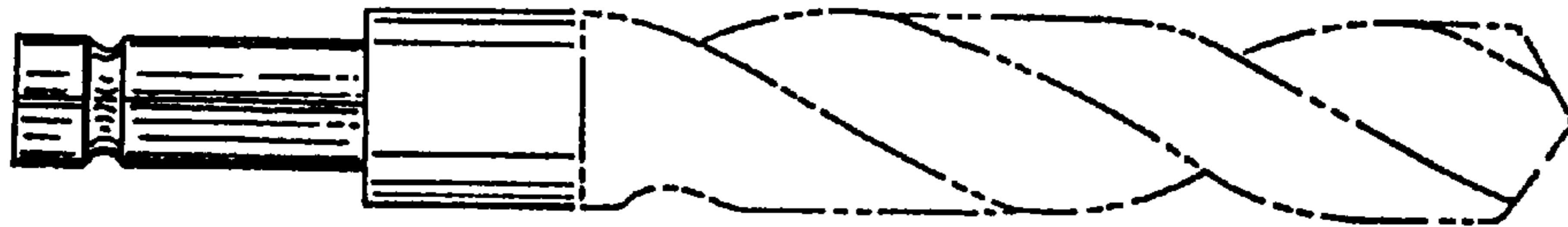


FIG. 9



FIG. 10

