

US00D430583S

United States Patent [19]
Fang et al.

[11] **Patent Number: Des. 430,583**
[45] **Date of Patent: ** Sep. 5, 2000**

[54] **CUTTING INSERT**

Primary Examiner—Antoine Duval Davis

[75] Inventors: **X. Daniel Fang**, Franklin; **David J. Wills**, Brentwood; **Roy V. Leverenz**, Smyra, all of Tenn.

[57] **CLAIM**

The ornamental design for the cutting insert, as shown and described.

[73] Assignee: **ATI Properties, Inc.**, Los Angeles, Calif.

DESCRIPTION

[**] Term: **14 Years**

[21] Appl. No.: **29/111,708**

[22] Filed: **Oct. 1, 1999**

[51] **LOC (7) Cl.** **15-09**

[52] **U.S. Cl.** **D15/139**

[58] **Field of Search** **D15/139; 407/113-117**

FIG. 1 is a perspective view of the cutting insert of the present invention;

FIG. 2 is a side elevational view of the cutting insert of FIG. 1;

FIG. 3 is a top plan view of the cutting insert of FIG. 1;

FIG. 4 is a bottom plan view of the cutting insert of FIG. 1;

FIG. 5 is a cross-sectional elevational view of the cutting insert of FIG. 1 taken along line 5—5 of FIG. 3;

FIG. 6 is a cross-sectional elevational view of the cutting insert of FIG. 1 taken along line 6—6 of FIG. 3;

FIG. 7 is a perspective view of a first corner of the cutting insert of FIG. 1; and,

FIG. 8 is a perspective view of a second corner of the cutting insert of FIG. 1.

[56] **References Cited**

U.S. PATENT DOCUMENTS

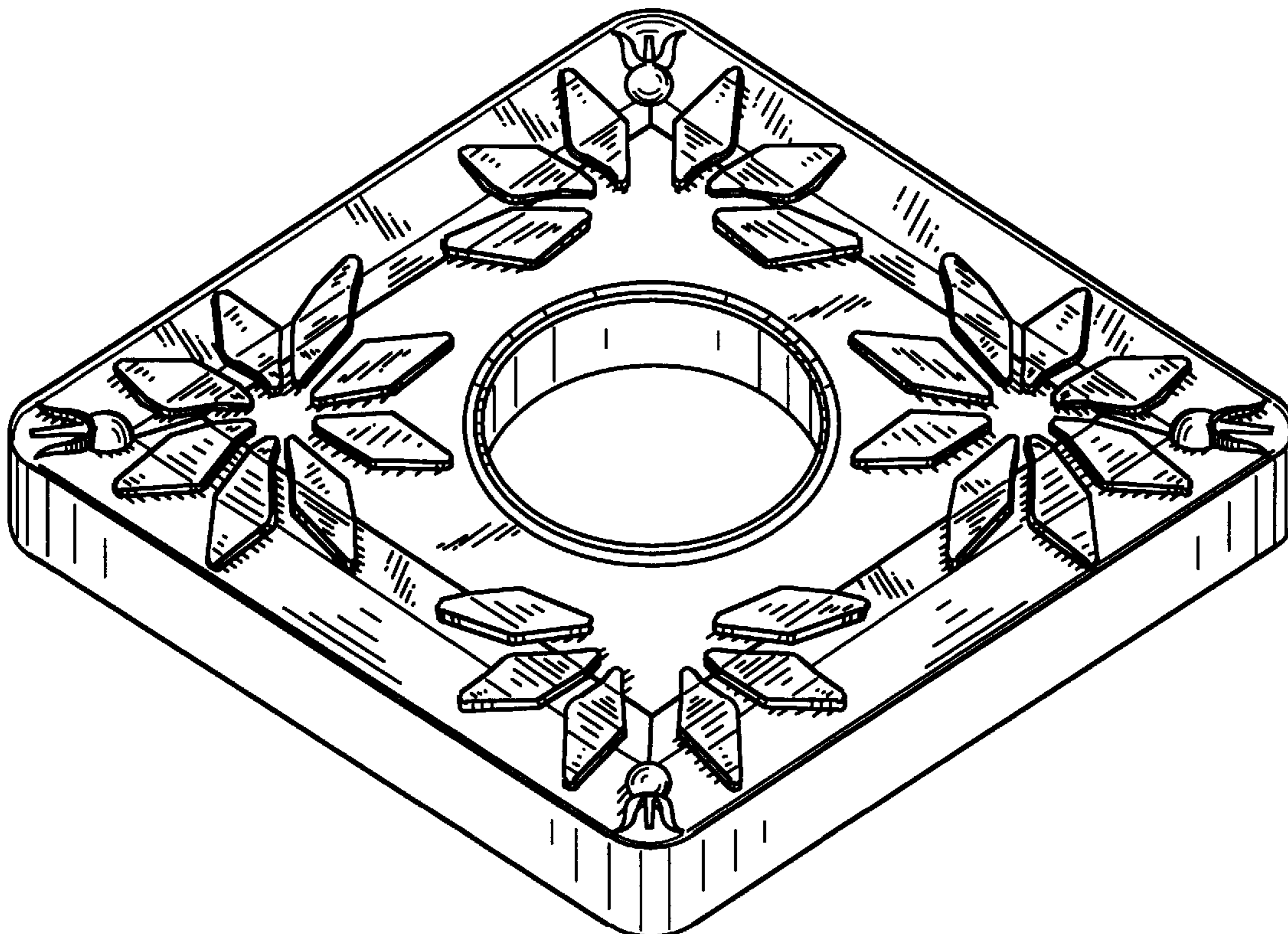
- D. 275,396 9/1984 Porat et al. .
- D. 347,012 5/1994 Huston et al. .
- D. 413,908 9/1992 Kasperik D15/139
- 5,122,017 6/1992 Niebauer .
- 5,147,159 9/1992 Lowe et al. D15/139 X

OTHER PUBLICATIONS

United States Registration No. 2,225,395, granted Feb. 23, 1999.

United States Registration No. 2,068,211, granted Jun. 10, 1997.

1 Claim, 6 Drawing Sheets



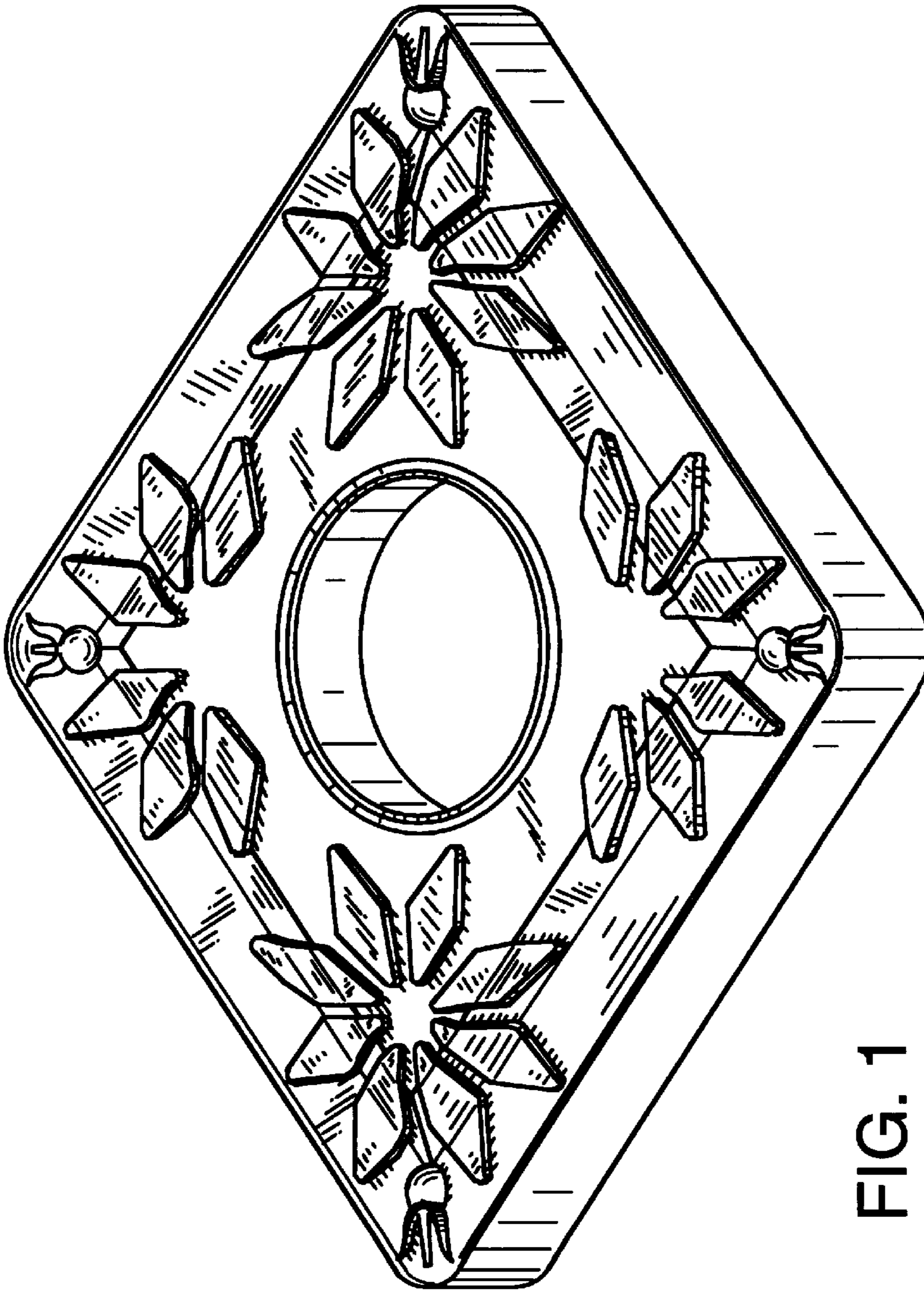


FIG. 1



FIG. 2

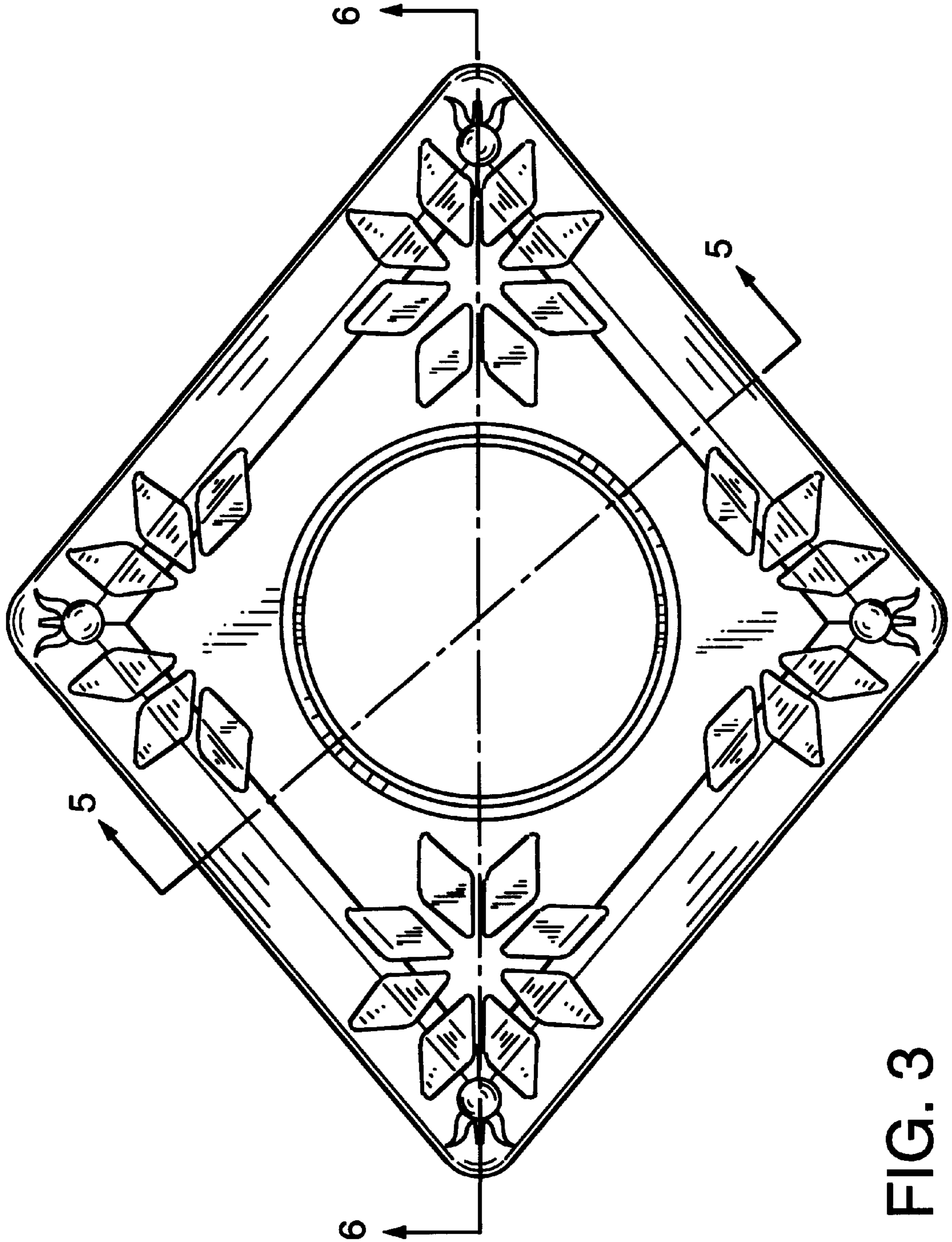


FIG. 3

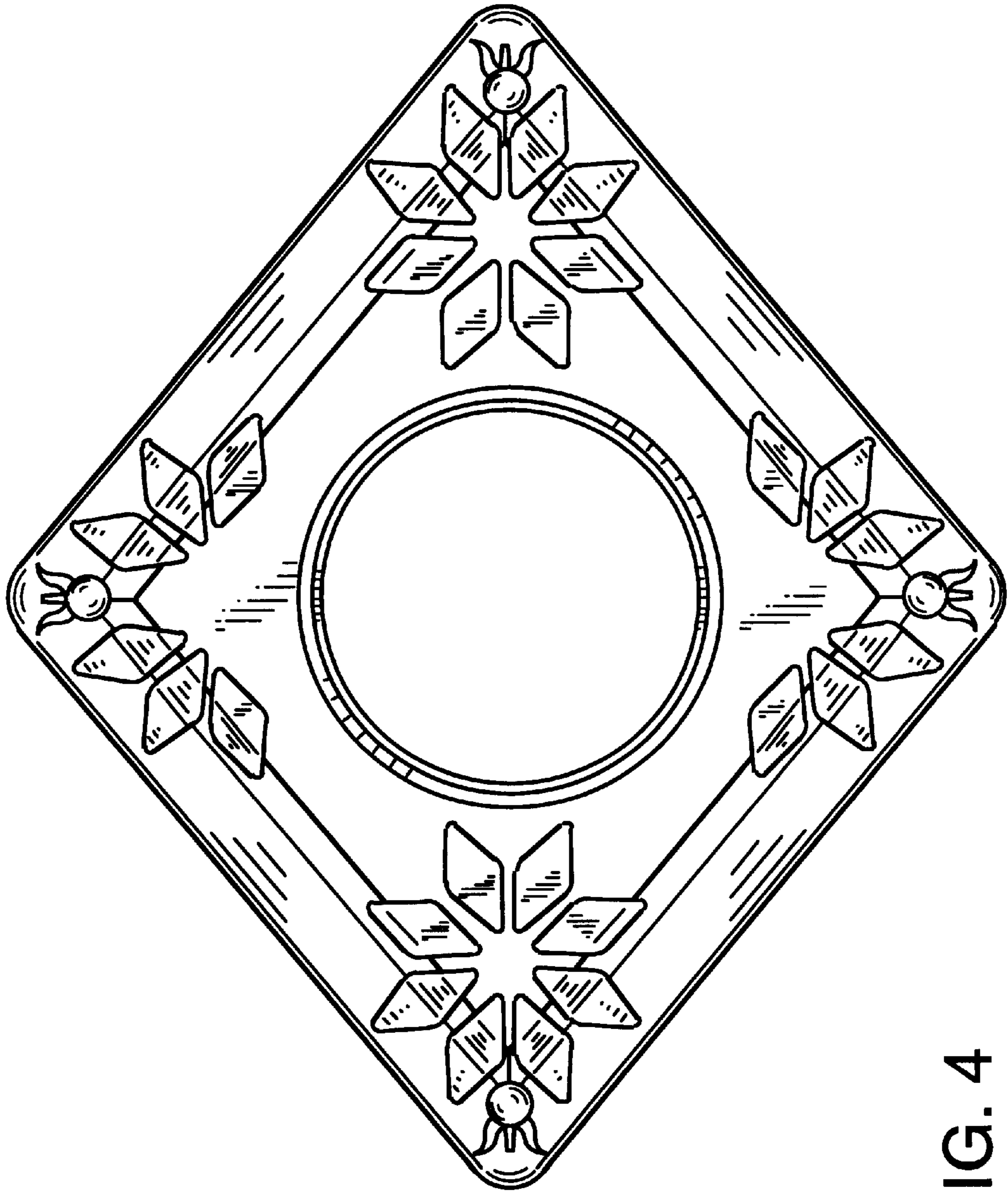


FIG. 4

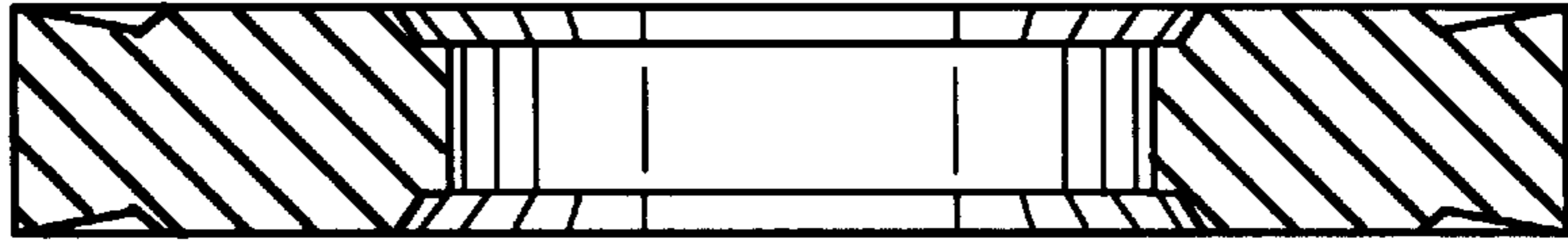


FIG. 5

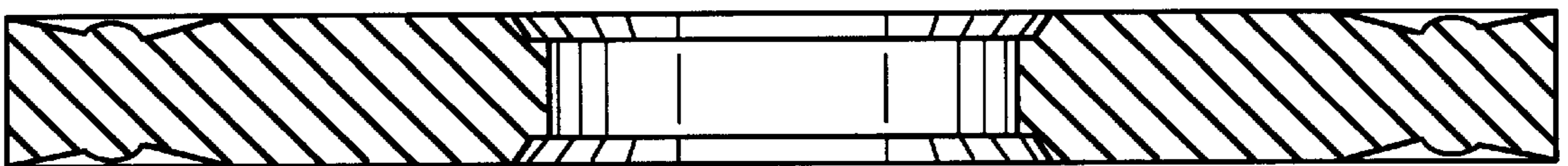


FIG. 6

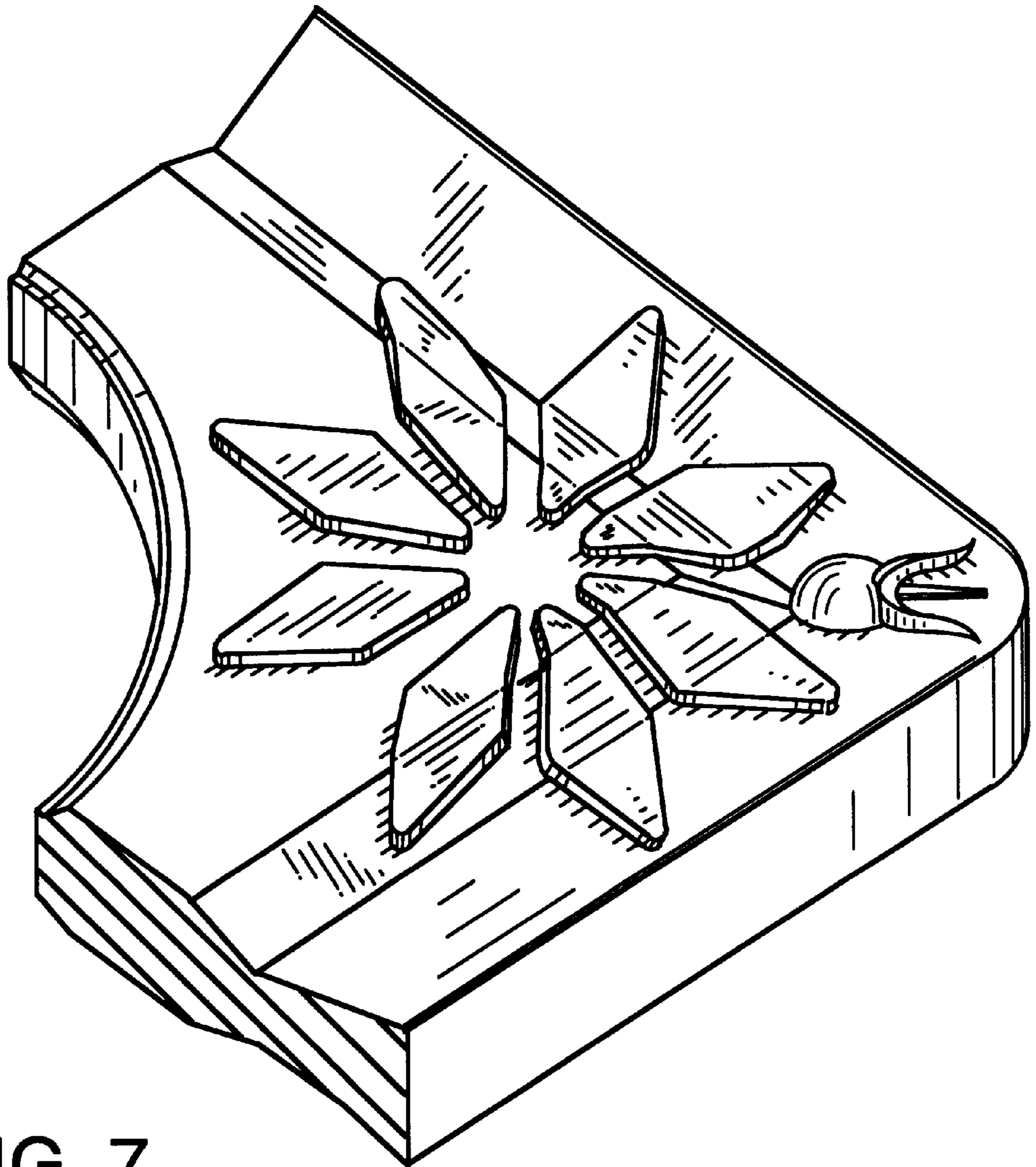


FIG. 7

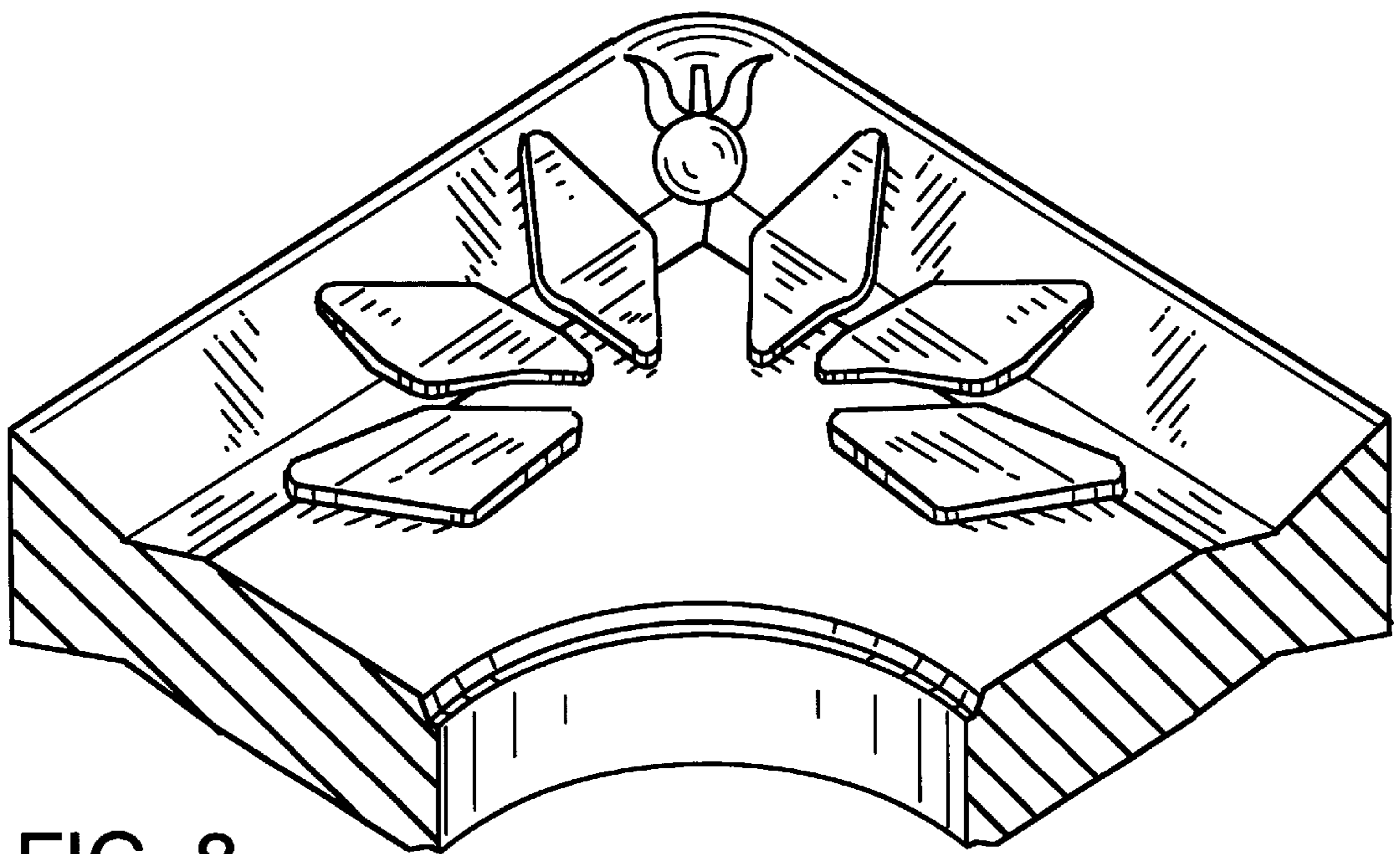


FIG. 8