



US00D430581S

United States Patent [19]

Campbell et al.

[11] Patent Number: **Des. 430,581**

[45] Date of Patent: **** Sep. 5, 2000**

[54] **WOOD LATHE**

[75] Inventors: **Randall E. Campbell**, Hazelwood;
Daniel A. Terpstra, Kirkwood; **Kiyoshi Hoshino**, Chesterfield, all of Mo.

[73] Assignee: **Emerson Electric, Co.**, St. Louis, Mo.

[**] Term: **14 Years**

[21] Appl. No.: **29/101,149**

[22] Filed: **Feb. 25, 1999**

[51] **LOC (7) Cl.** **15-09**

[52] **U.S. Cl.** **D15/130**

[58] **Field of Search** D15/130; 82/112-121,
82/128, 132, 142, 143, 149, 162, 903; 144/16,
114; 142/7

[56] **References Cited**

U.S. PATENT DOCUMENTS

- D. 309,741 8/1990 Arehart et al. D15/130
- D. 328,904 8/1992 Burns et al. D15/130

Primary Examiner—Antoine Duval Davis

Attorney, Agent, or Firm—Howrey Simon Arnold & White, LLP

[57] **CLAIM**

The ornamental design for a wood lathe, as shown and described.

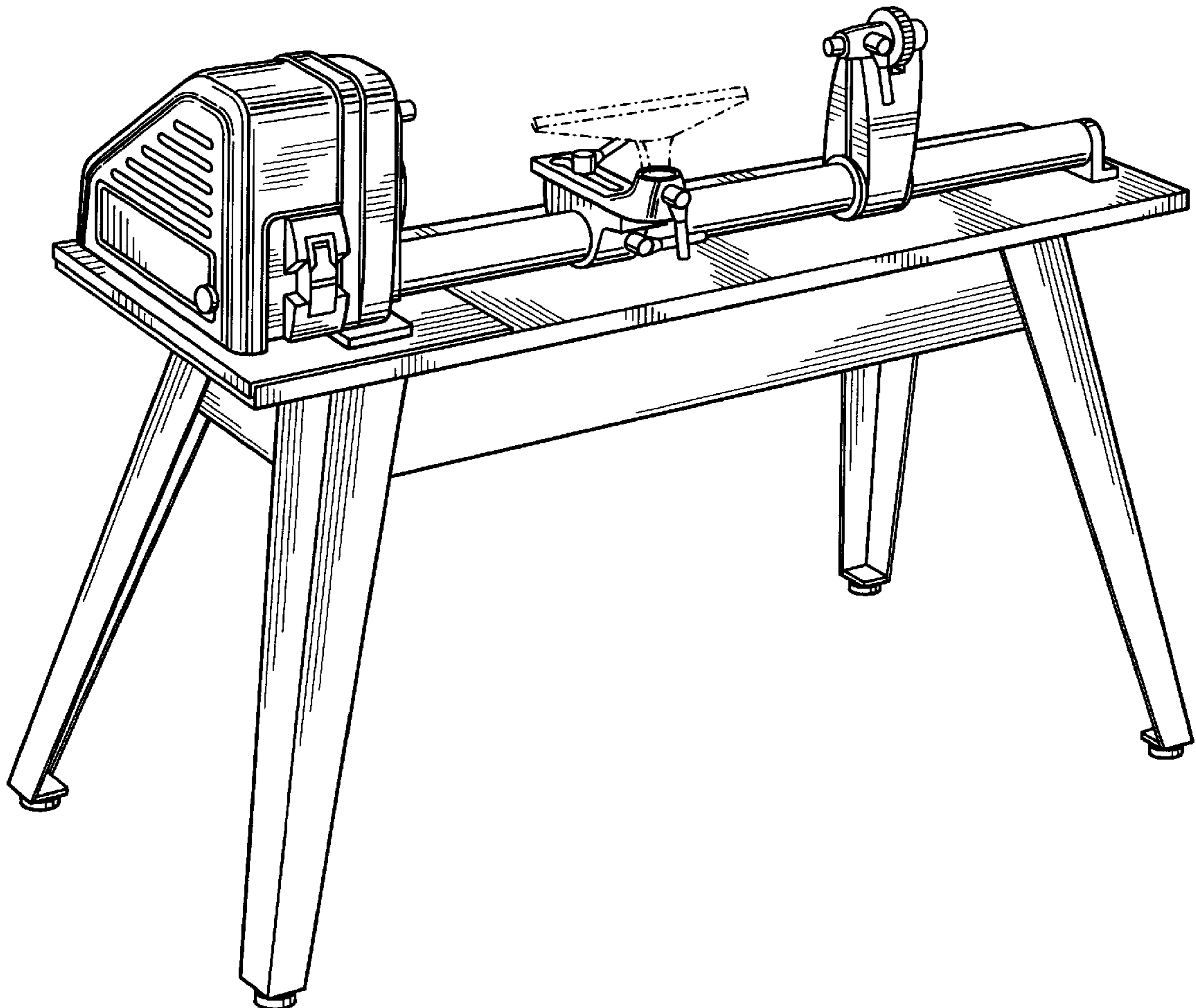
DESCRIPTION

FIG. 1 is a first front perspective view of the wood lathe of the present invention;
 FIG. 2 is a front elevation view;
 FIG. 3 is a first side elevation view;
 FIG. 4 is a rear elevation view;
 FIG. 5 is a second side elevation view, illustrating the side opposite that shown in FIG. 3;
 FIG. 6 is a top plan view; and,
 FIG. 7 is a bottom plan view.

The surface shading on the illustrated wood lathe is intended only to show the character and contour of the surfaces and not surface indicia.

The broken line showing is for illustrative purposes only and forms no part of the claimed design.

1 Claim, 5 Drawing Sheets



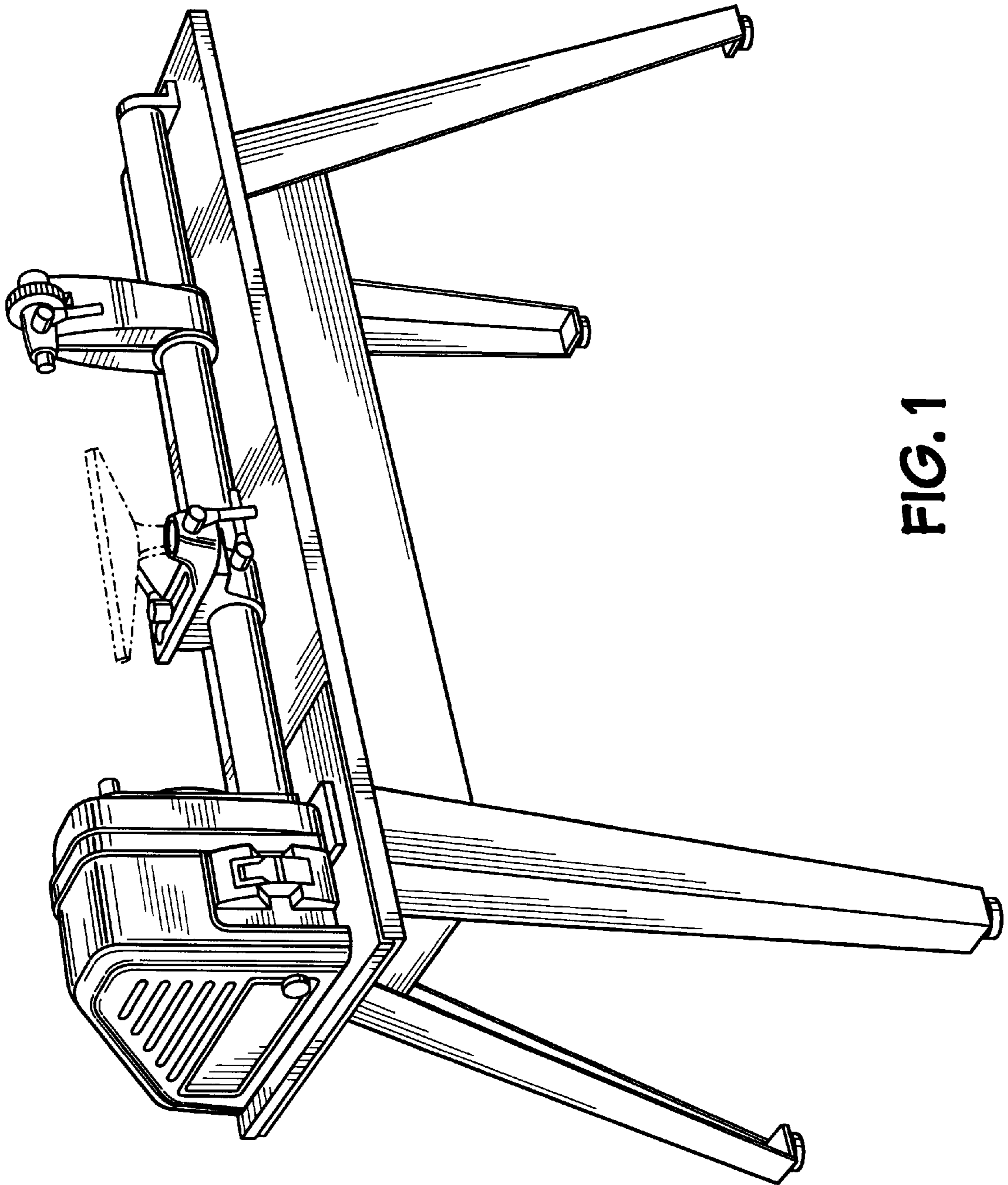


FIG. 1

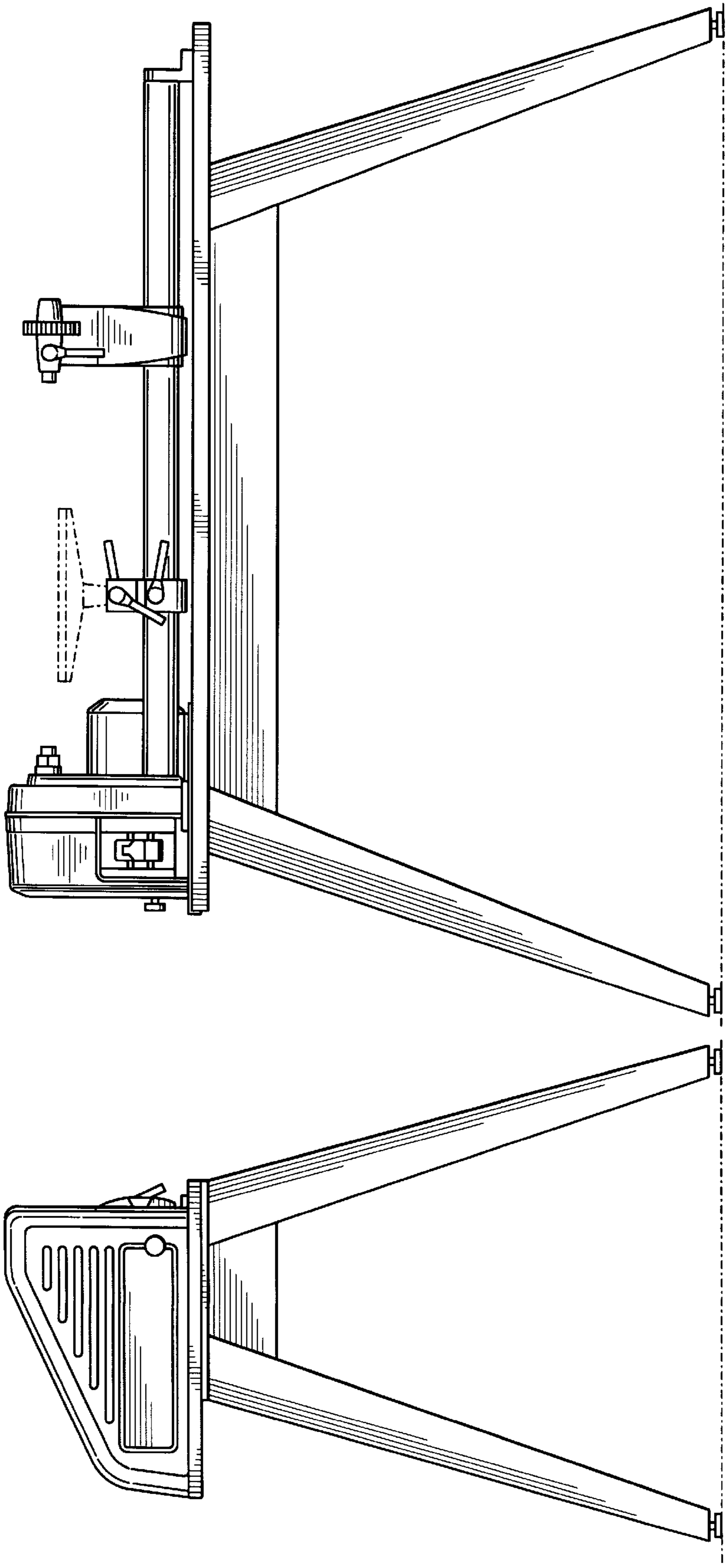


FIG. 2

FIG. 3

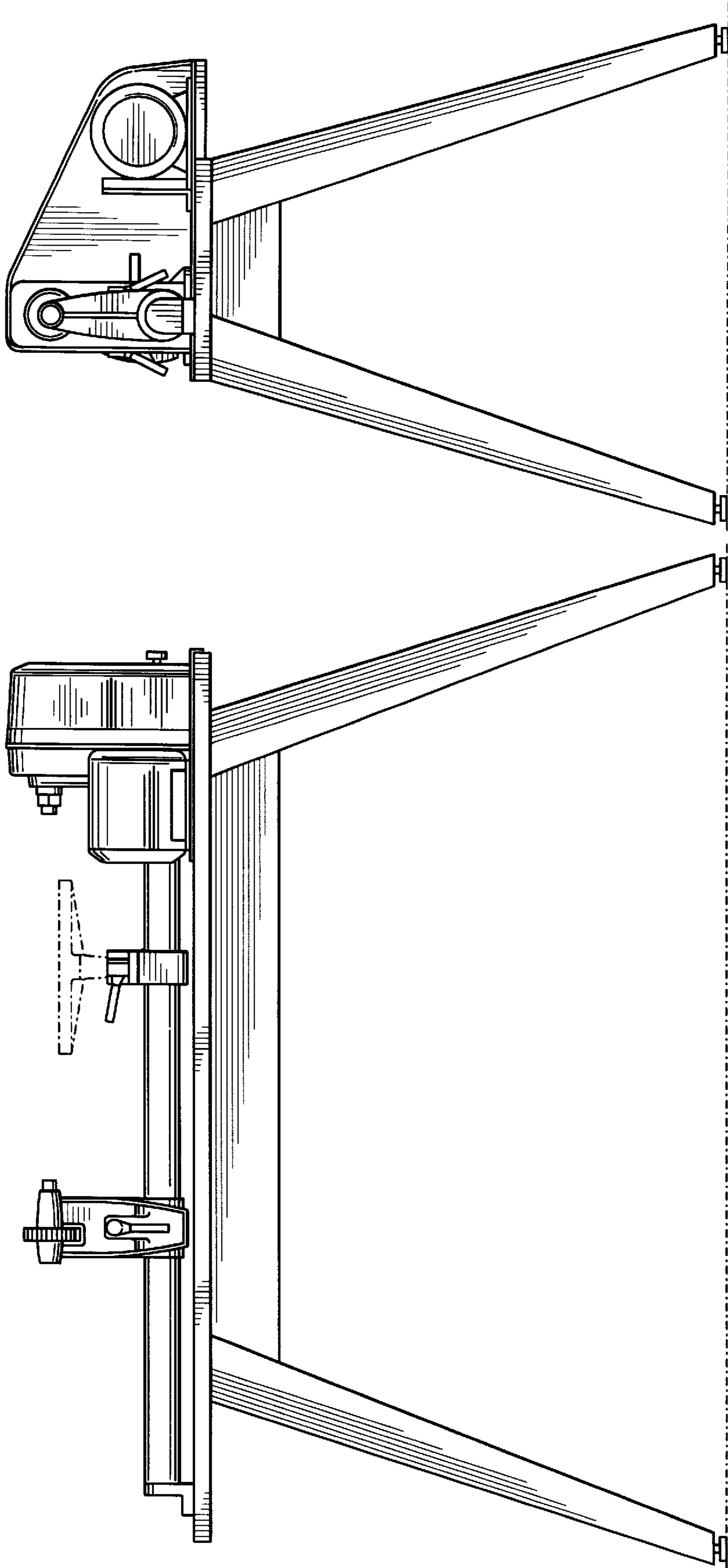


FIG. 5

FIG. 4

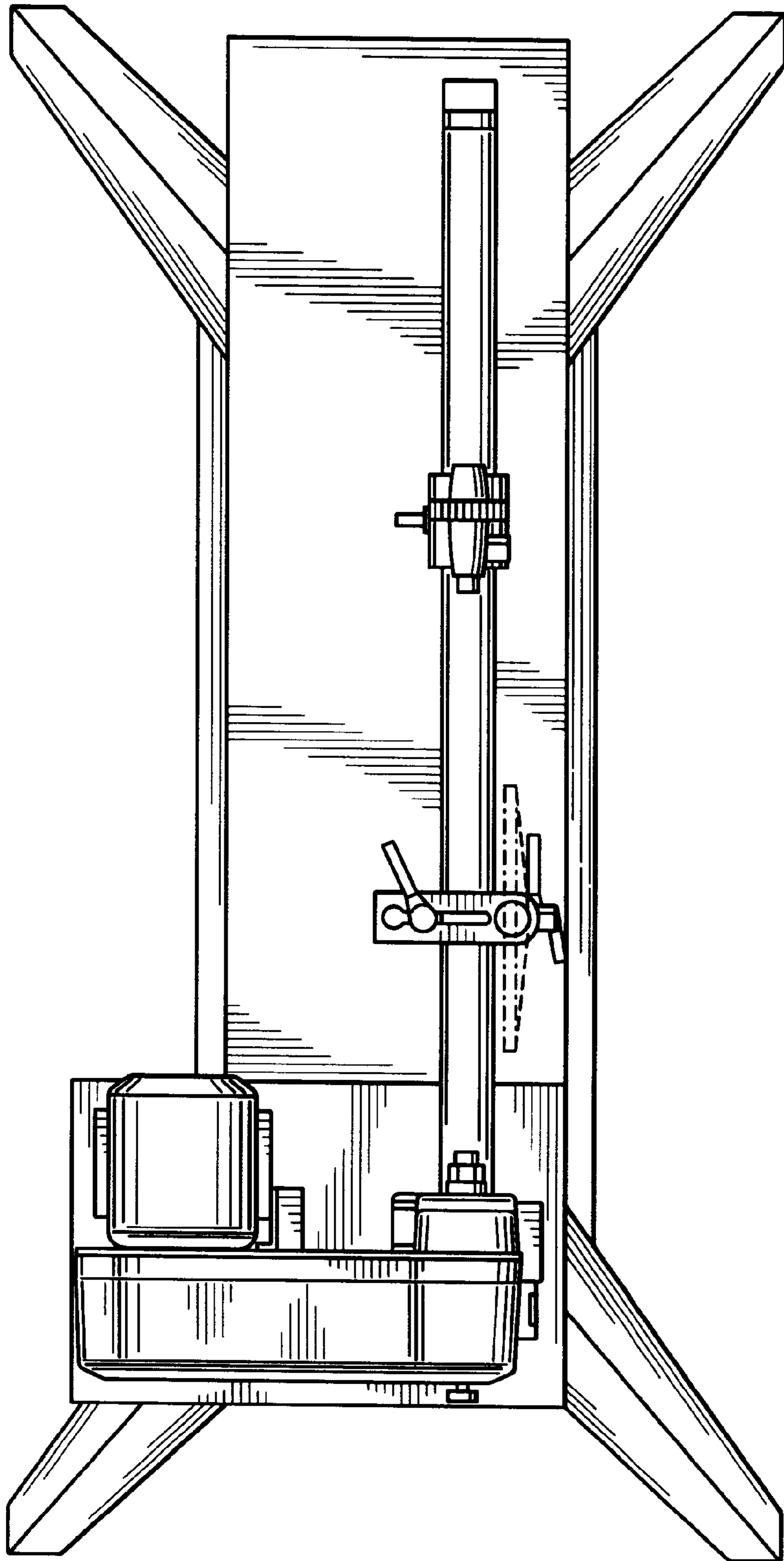


FIG. 6

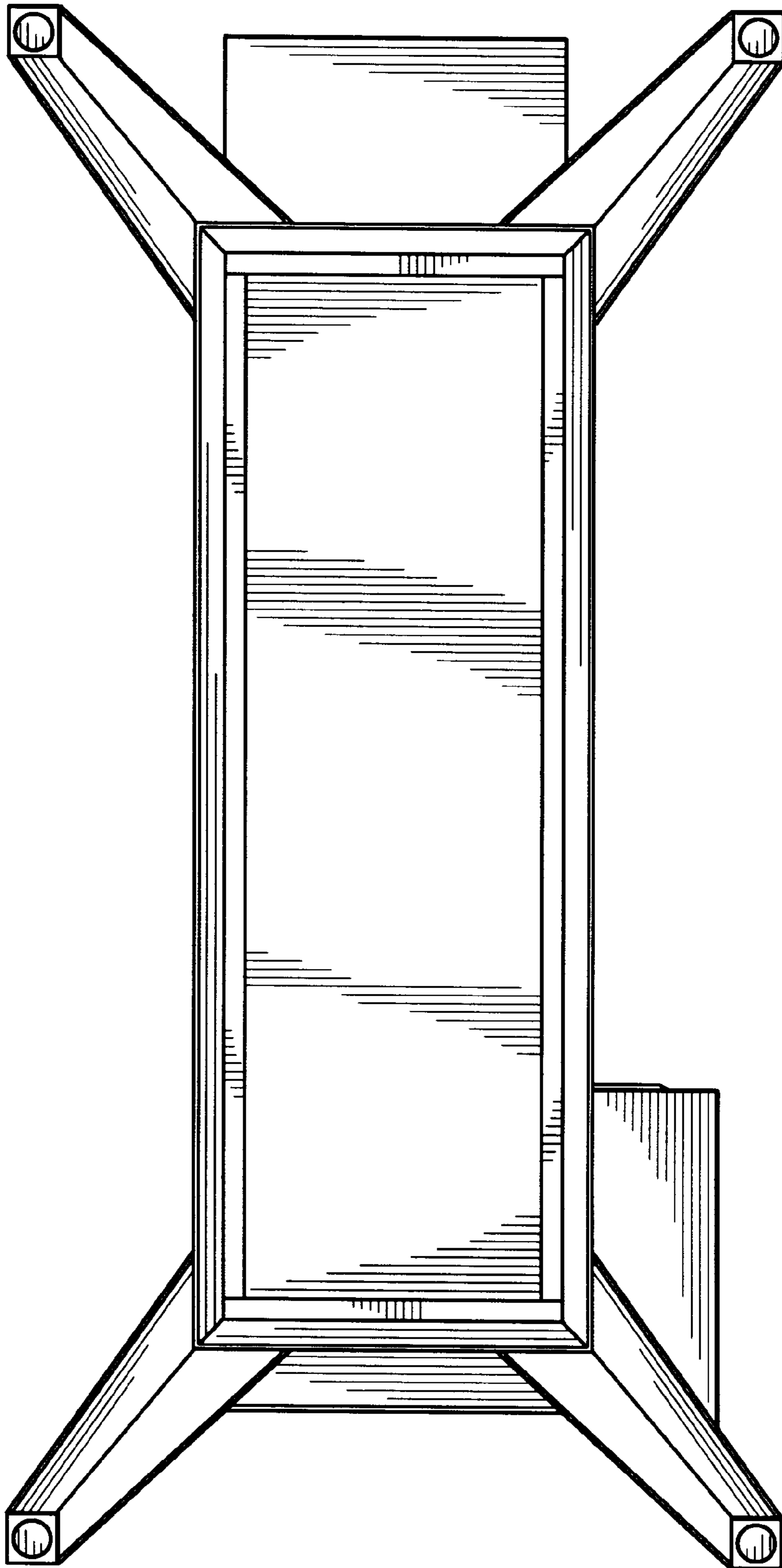


FIG. 7