

US00D430576S

# United States Patent [19] Sadr

[11] **Patent Number: Des. 430,576**

[45] **Date of Patent: \*\* Sep. 5, 2000**

[54] **MODULAR RESONATOR**

[75] Inventor: **Changize Sadr**, North York, Canada

[73] Assignee: **ABC Group**, Rexdale, Canada

[\*\*] Term: **14 Years**

[21] Appl. No.: **29/092,380**

[22] Filed: **Aug. 18, 1998**

[51] **LOC (7) Cl.** ..... **15-01**

[52] **U.S. Cl.** ..... **D15/5**

[58] **Field of Search** ..... D15/5; D13/123,  
D13/112, 184, 199; 333/202, 219.1, 219;  
181/272, 243, 282, 246, 264, 268, 269,  
283, 250, 239, 276, 227, 273; 123/446,  
549, 557, 184.21; D12/194

[56] **References Cited**

### U.S. PATENT DOCUMENTS

D. 353,599 12/1994 Arends ..... D15/5

D. 367,656	3/1996	Cacciaccaro et al. ....	D15/5
D. 384,319	9/1997	Harutiunian .....	D12/194
D. 396,477	7/1998	Sadr .....	D15/5
D. 399,849	10/1998	Sadr .....	D15/5
5,123,501	6/1992	Rothman et al. ....	181/239
5,302,783	4/1994	Sadr et al. ....	181/243
5,541,374	7/1996	Sato et al. ....	181/250

*Primary Examiner*—Ralf Seifert  
*Attorney, Agent, or Firm*—George A. Seaby

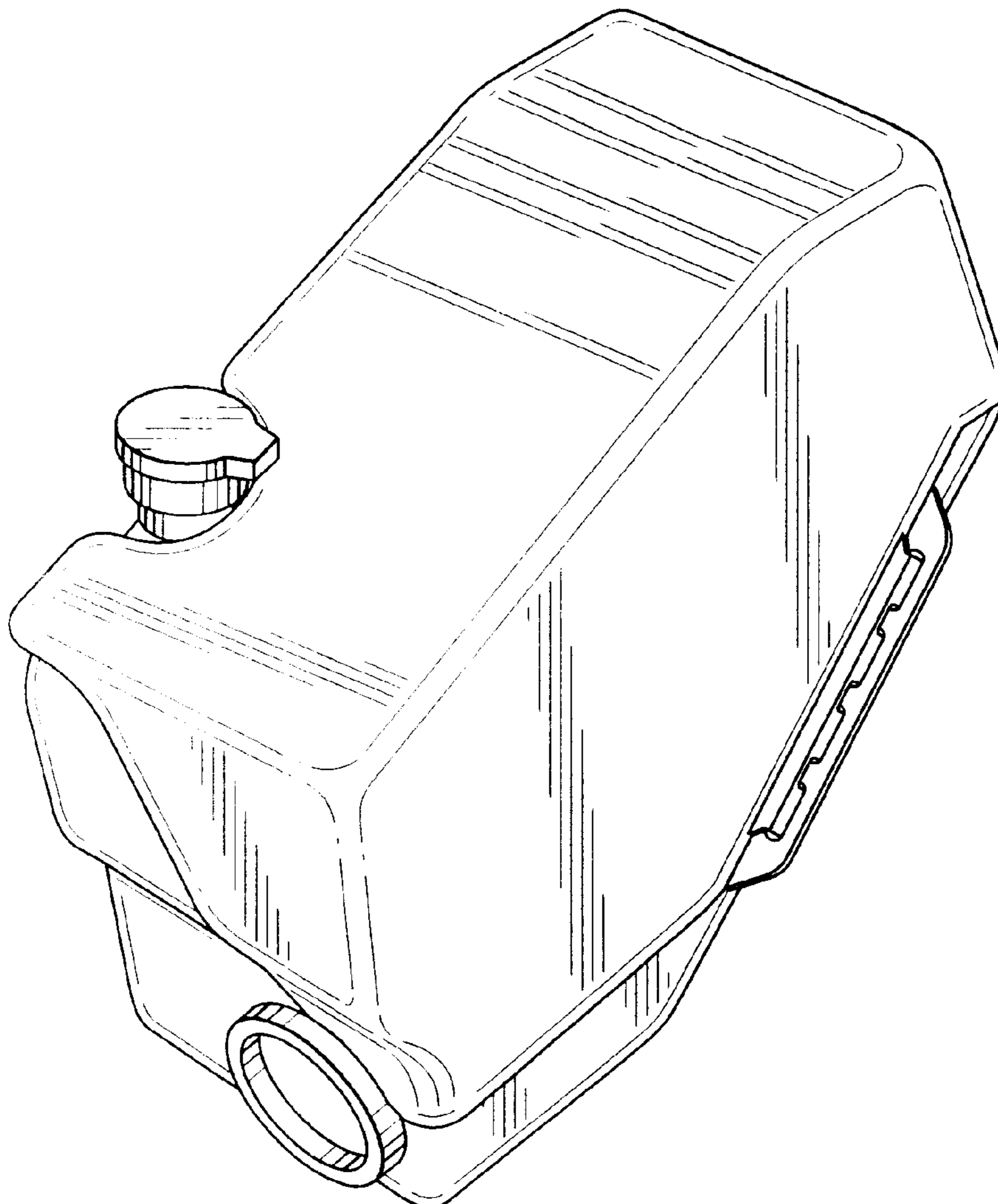
### [57] CLAIM

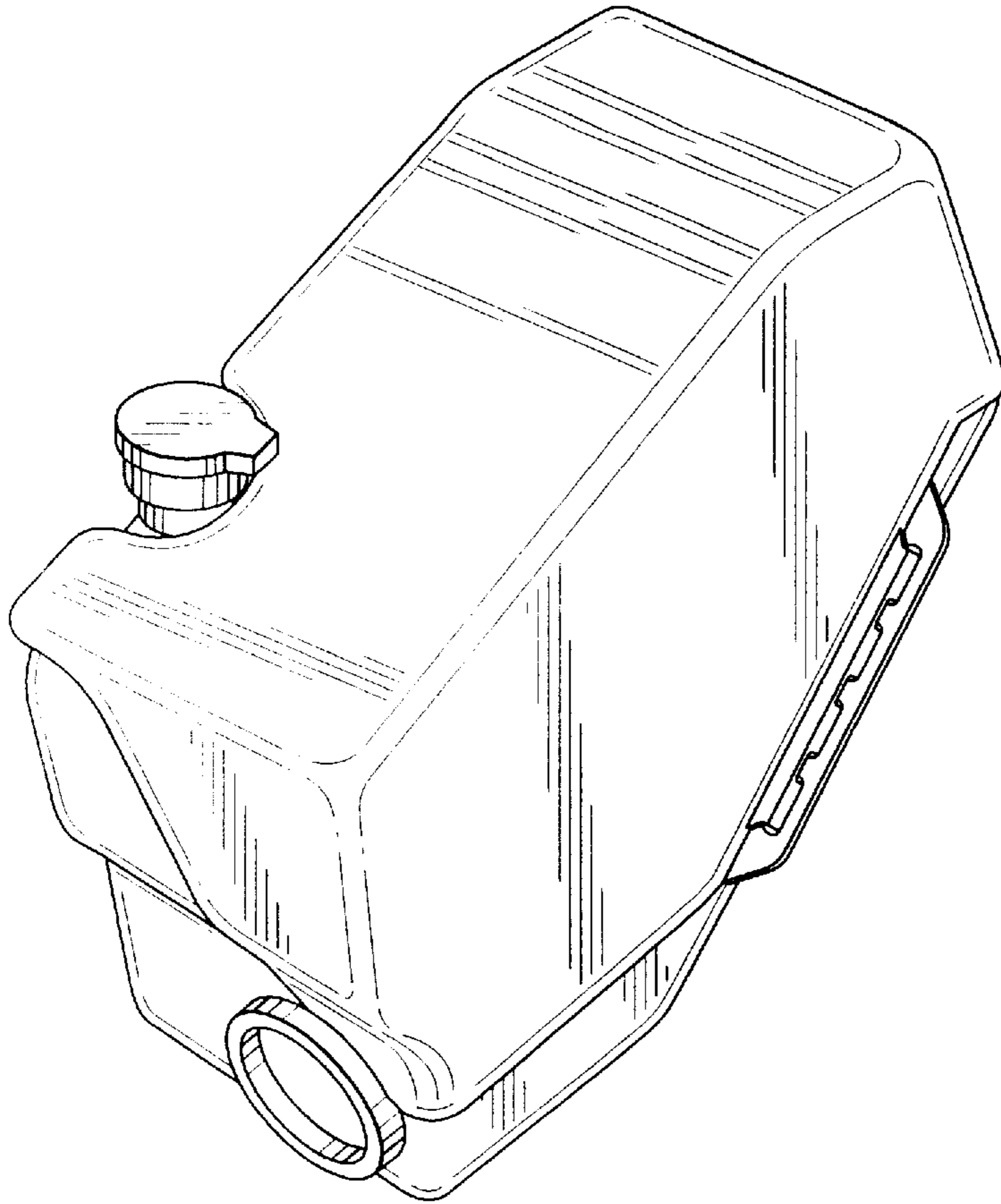
The ornamental design for a modular resonator, as shown and described.

### DESCRIPTION

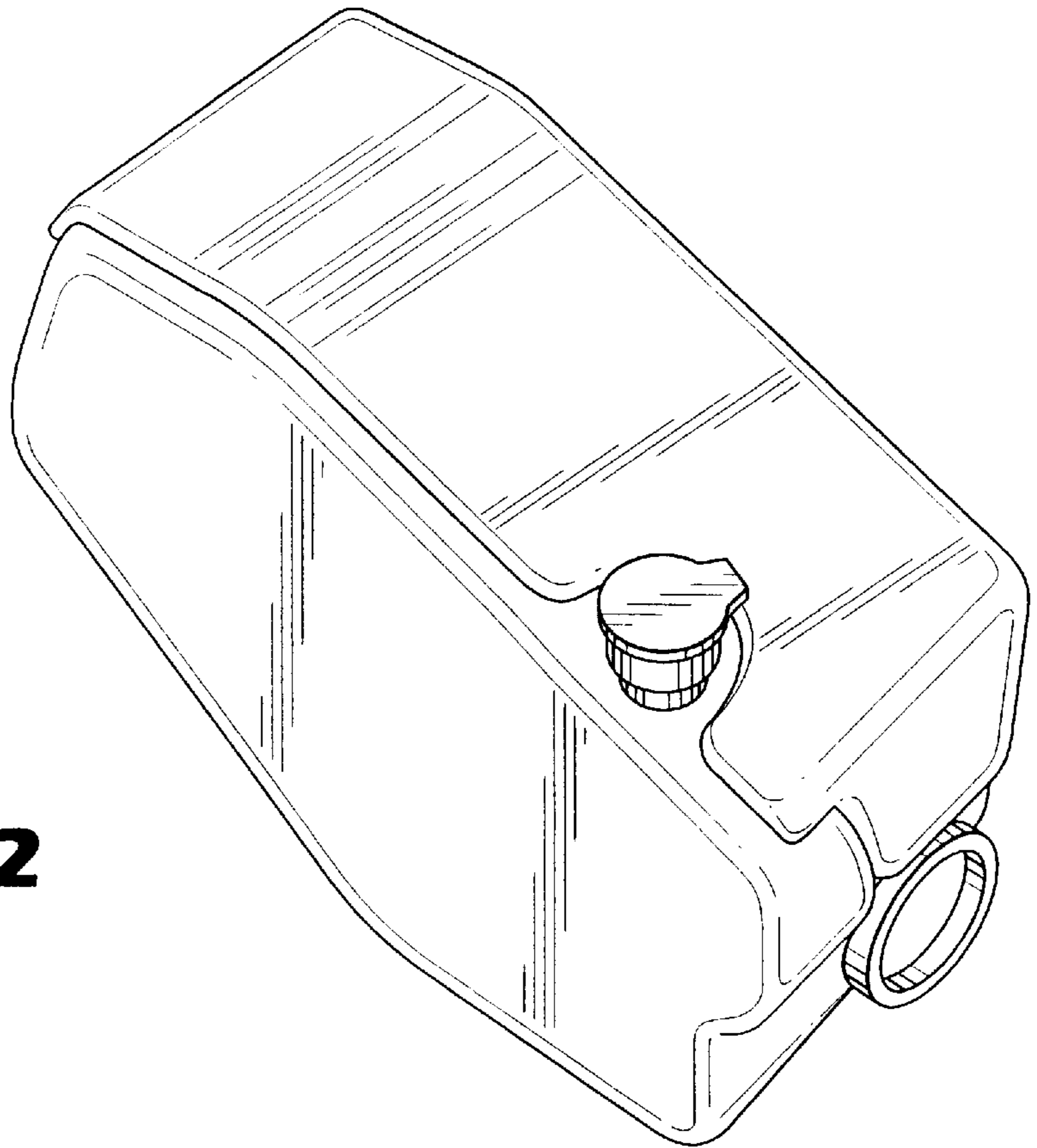
FIGS. 1 and 2 are isometric views from above and one end of the modular resonator showing my new design; FIG. 3 is an isometric view from below and the other end thereof; FIG. 4 is a bottom elevational view thereof; and, FIGS. 5 and 6 are side elevational views thereof.

**1 Claim, 3 Drawing Sheets**

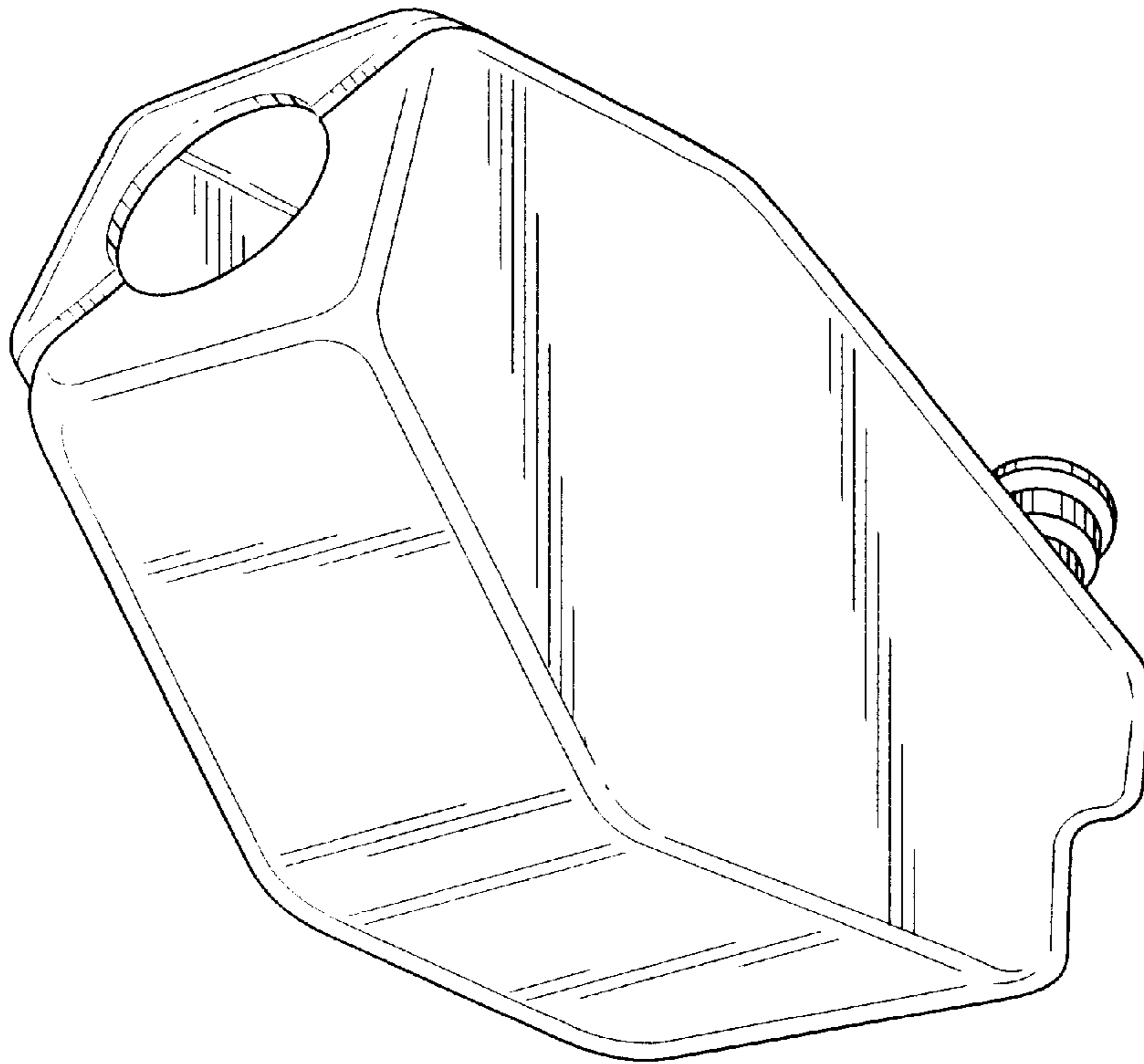




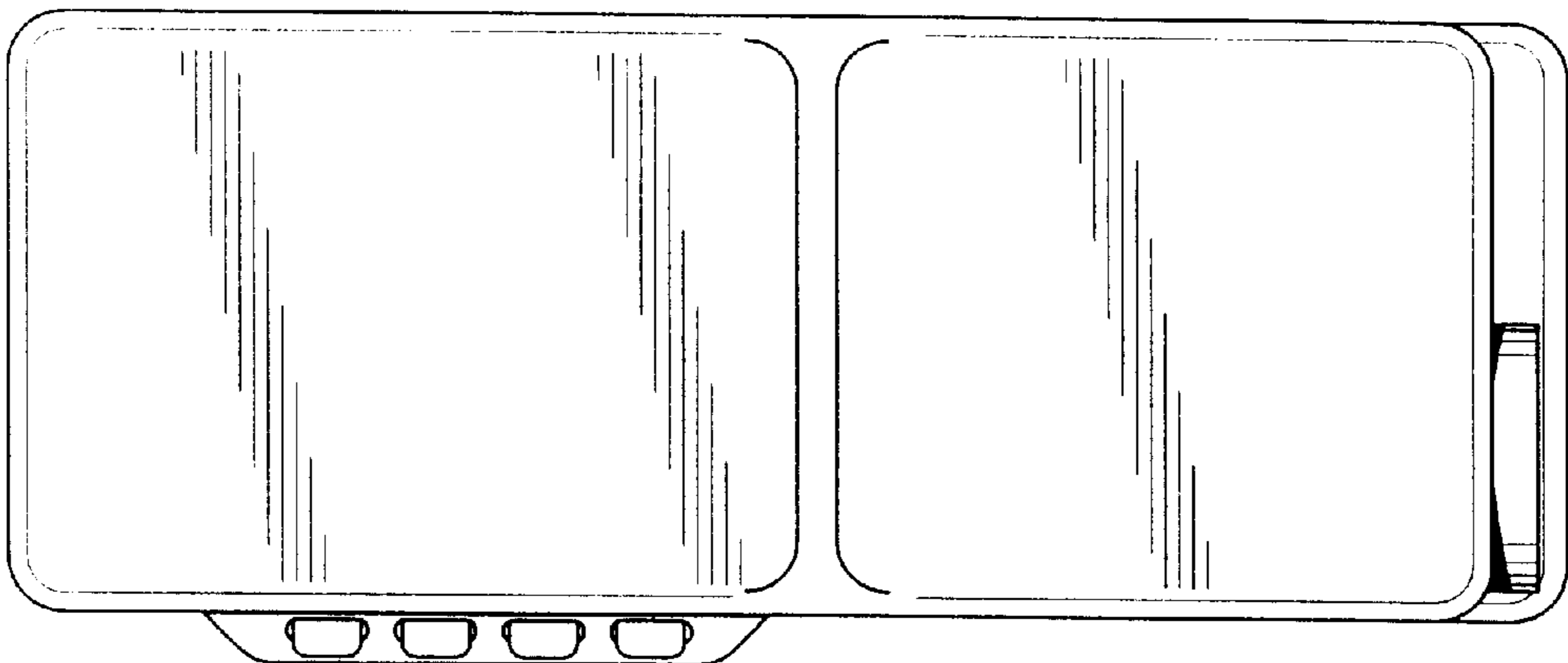
**FIG. 1**



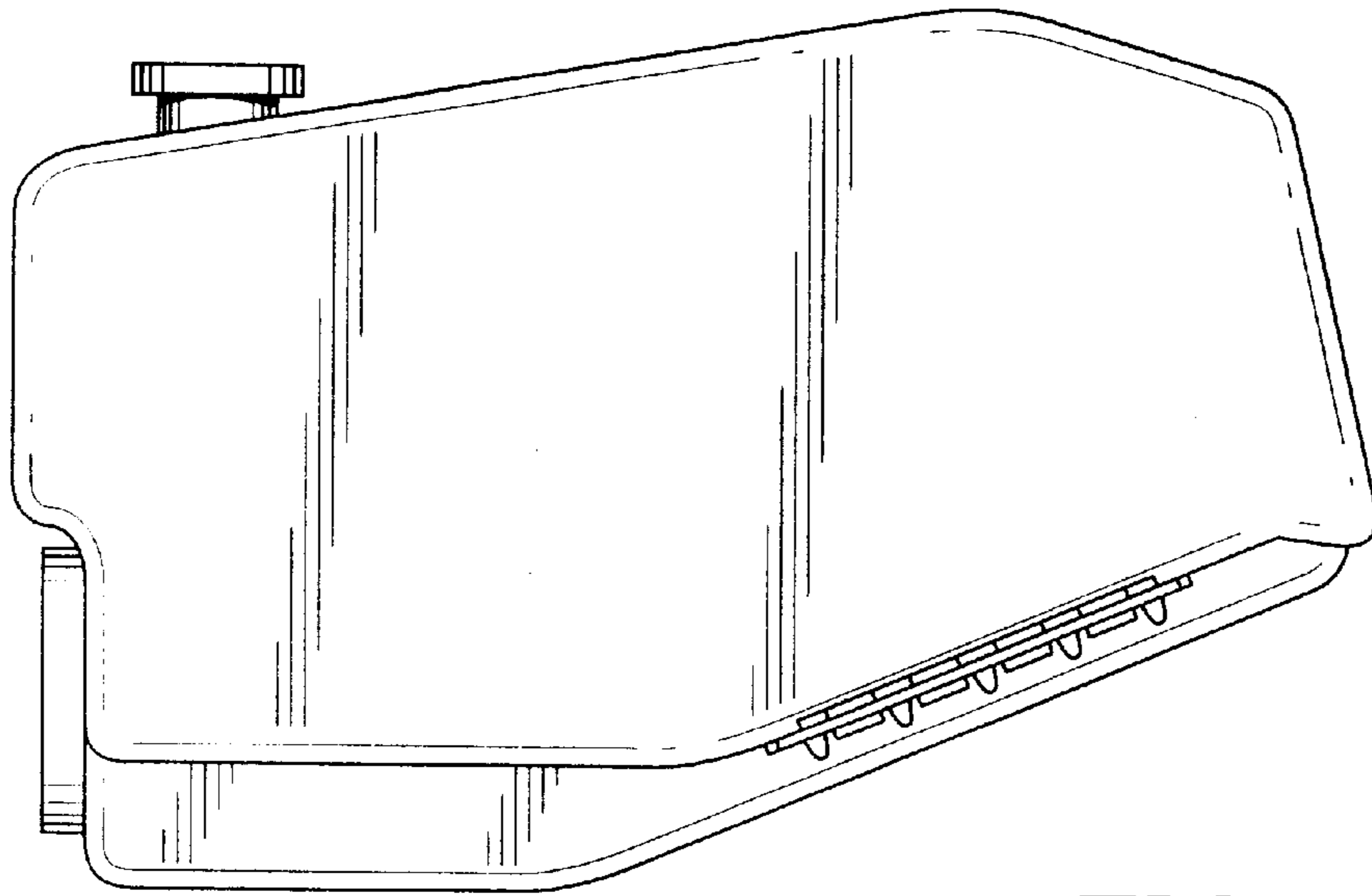
**FIG. 2**



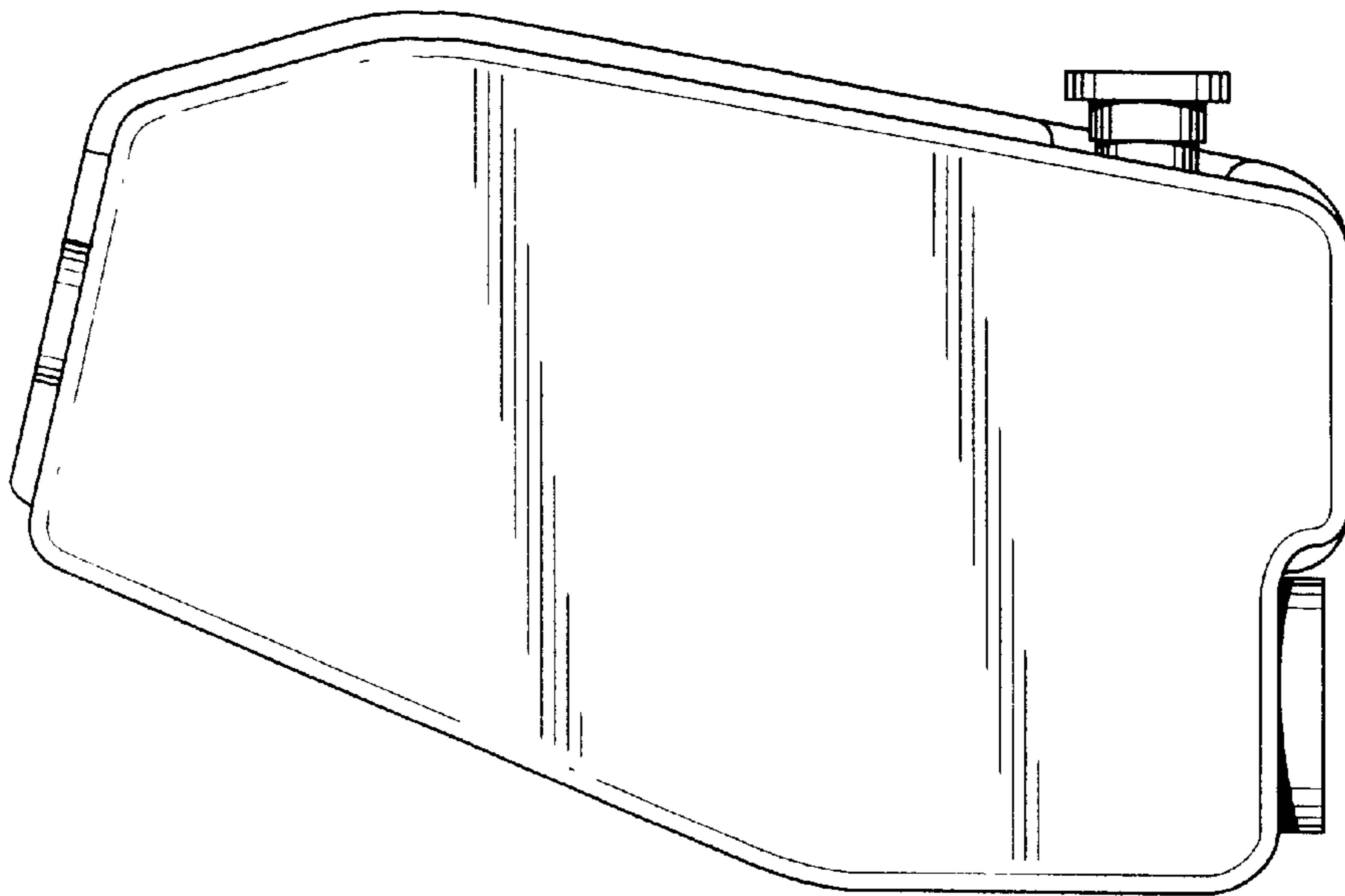
**FIG. 3**



**FIG. 4**



**FIG. 5**



**FIG. 6**