



US00D430575S

United States Patent [19]

[11] Patent Number: Des. 430,575

Sumner et al.

[45] Date of Patent: ** *Sep. 5, 2000

- [54] **INFORMATION STORAGE DISK CARTRIDGE**
- [75] Inventors: **Wayne A. Sumner**, Ogden; **David W. Griffith**; **Allen T. Bracken**, both of Layton, all of Utah; **Nicholas Brawne**, San Francisco; **T. Greg Nguyen**, San Jose, both of Calif.
- [73] Assignee: **Iomega Corporation**, Roy, Utah
- [*] Notice: This patent is subject to a terminal disclaimer.
- [**] Term: **14 Years**
- [21] Appl. No.: **29/078,505**
- [22] Filed: **Oct. 27, 1997**
- [51] **LOC (7) Cl.** **14-02**
- [52] **U.S. Cl.** **D14/478**
- [58] **Field of Search** D14/100, 107, D14/114; D6/626-7; 360/60, 129, 132-3, 135, 97.01-99.12; 206/312, 307, 308.1, 308.2, 472; 369/291, 273, 77.2

- D. 340,032 10/1993 Fujisawa D14/114
- D. 342,062 12/1993 Martin D14/114
- D. 342,379 12/1993 Taniyama D3/35
- D. 346,374 4/1994 Miyazaki et al. D14/114
- D. 346,375 4/1994 Miyazaki et al. D14/114
- D. 346,596 5/1994 Kajita et al. D14/114
- D. 347,215 5/1994 Ikenaga D14/114
- D. 351,593 10/1994 Miyazaki D14/114
- D. 356,305 3/1995 Kikutani et al. D14/114
- D. 356,787 3/1995 Miyazaki D14/114
- D. 356,789 3/1995 Miyazaki D14/114
- D. 357,239 4/1995 Kato et al. D14/114
- D. 358,586 5/1995 Miyazaki et al. D14/114
- D. 359,039 6/1995 Kato et al. D14/114
- D. 361,560 8/1995 Shindo D14/114
- D. 363,711 10/1995 Happo D14/114
- D. 364,858 12/1995 McGrath et al. D14/114
- D. 366,476 1/1996 Bordes D14/114
- D. 367,474 2/1996 Ikenaga D14/114
- D. 368,082 3/1996 Goto D14/114
- D. 368,083 3/1996 Hayami et al. D14/114
- D. 369,151 4/1996 Fujisawa D14/114
- D. 369,152 4/1996 Fujisawa D14/114
- D. 369,153 4/1996 Fujisawa D14/114
- D. 370,009 5/1996 Smedley, Jr. et al. D14/114

(List continued on next page.)

Primary Examiner—M. H. Tung
Attorney, Agent, or Firm—Woodcock Washburn Kurtz Mackiewicz & Norris LLP

[56] References Cited

U.S. PATENT DOCUMENTS

- D. 245,125 7/1977 Chou et al. D14/10
- D. 263,222 3/1982 Driscoll D14/11
- D. 274,522 7/1984 Kneale D14/114
- D. 275,676 9/1984 Nakagawa et al. D14/114
- D. 287,597 1/1987 Naoi D14/114
- D. 289,874 5/1987 Sutoh et al. D14/114
- D. 297,938 10/1988 Hara D14/114
- D. 298,251 10/1988 Kato et al. D14/114
- D. 304,720 11/1989 Ashe et al. D14/114
- D. 307,893 5/1990 Kato et al. D14/114
- D. 311,181 10/1990 Miyazawa D14/114
- D. 311,182 10/1990 Nash et al. D14/114
- D. 311,526 10/1990 Hamada et al. D14/114
- D. 312,077 11/1990 Sasaki et al. D14/114
- D. 312,250 11/1990 Sasaki et al. D14/114
- D. 313,412 1/1991 Holmgren D14/120
- D. 315,900 4/1991 Iwata D14/114
- D. 325,468 4/1992 Ohba D3/35
- D. 328,457 8/1992 Matsuzaka D14/114

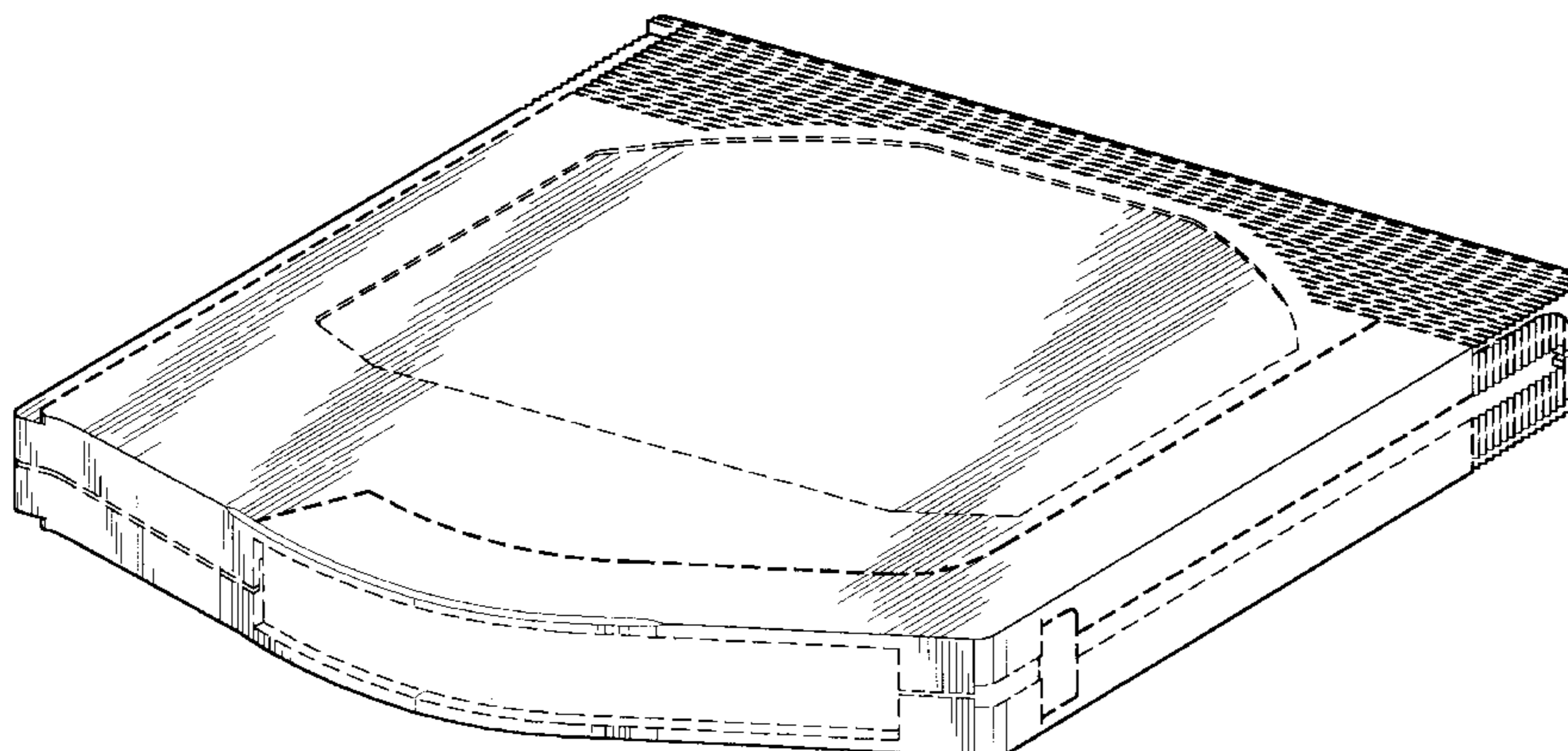
[57] CLAIM

An ornamental design for an information storage disk cartridge, as shown and described.

DESCRIPTION

FIG. 1 is a top perspective view of an information storage disk cartridge on an enlarged scale; FIG. 2 is a front elevation of FIG. 1; FIG. 3 is a top plan view of FIG. 1; FIG. 4 is a rear elevation view of FIG. 1; FIG. 5 is a side elevation of FIG. 1; FIG. 6 is a bottom plan view of FIG. 1; and, FIG. 7 is an other side elevation of FIG. 1. The broken lines are shown in the views for illustrative purposes only and form no part of the claimed design.

1 Claim, 3 Drawing Sheets



U.S. PATENT DOCUMENTS

D. 371,548	7/1996	Yamamoto et al.	D14/114	4,400,748	8/1983	Bauck et al.	3600/99
D. 374,220	10/1996	Katayama	D14/114	4,608,617	8/1986	Oishi et al.	360/133
D. 374,436	10/1996	Yamamoto et al.	D14/114	4,864,452	9/1989	Thompson et al.	360/133
D. 375,490	11/1996	Hisatsune	D14/114	4,901,173	2/1990	Jones et al.	360/99.04
D. 375,491	11/1996	Hata	D14/114	5,216,558	6/1993	Griffith et al.	360/99.06
D. 377,344	1/1997	Yamamoto et al.	D14/114	5,381,402	1/1995	Lee et al.	369/291
D. 377,644	1/1997	Nicklos et al.	D14/100	5,398,141	3/1995	Tannert .	
D. 378,518	3/1997	Sumner et al.	D14/114	5,422,775	6/1995	Martin .	
D. 387,743	12/1997	Takahashi	D14/114	5,481,420	1/1996	Cardona et al.	360/99.06
D. 394,050	5/1998	Funawatari	D14/114	5,515,358	5/1996	Goto	369/291
D. 394,249	5/1998	Takahashi et al.	D14/114	5,570,252	10/1996	Sumner et al.	360/133
4,045,821	8/1977	Fujikura	360/132	5,671,109	9/1997	Sumner et al.	360/133
				5,699,210	12/1997	Thompson et al.	360/99.06

FIG. 1

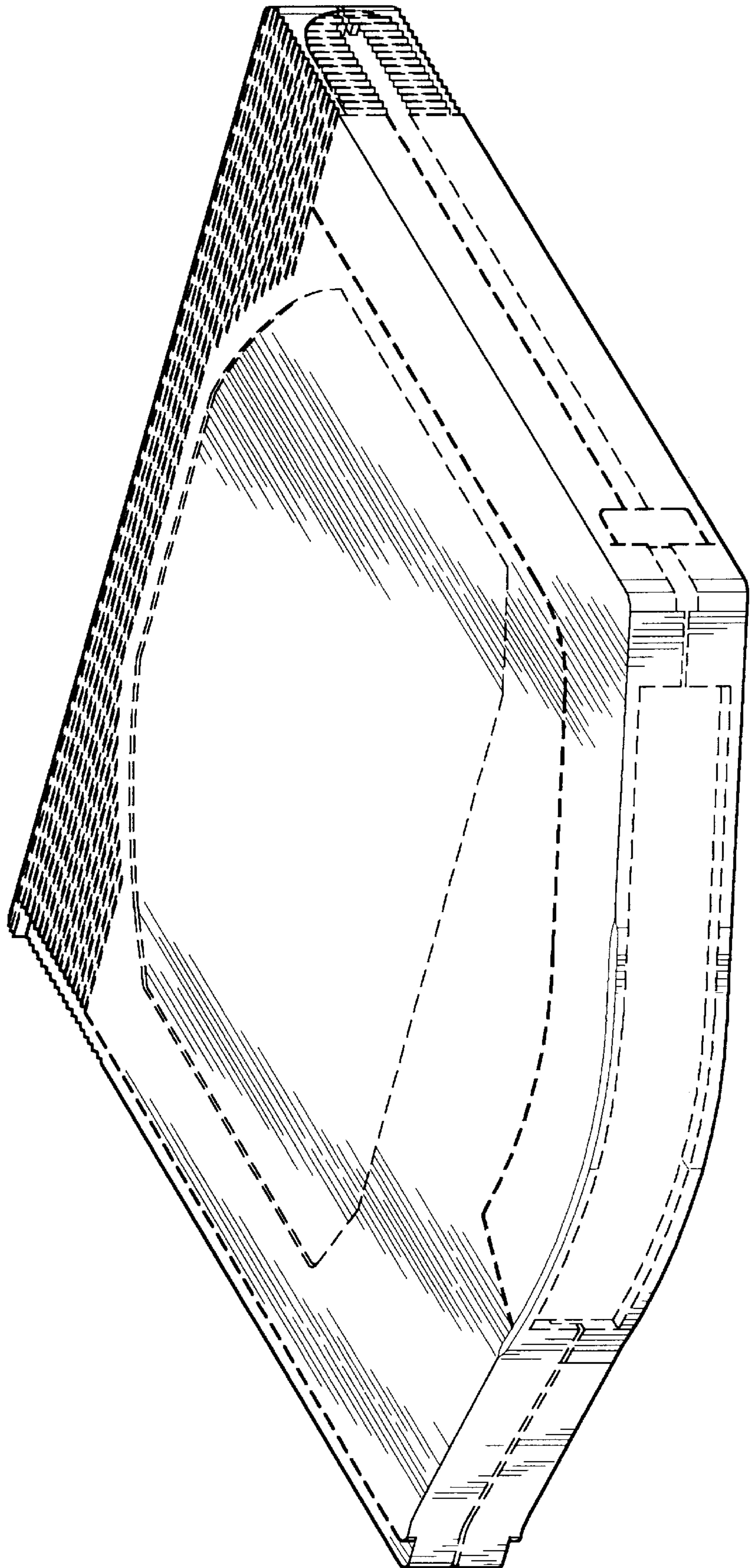


FIG. 2

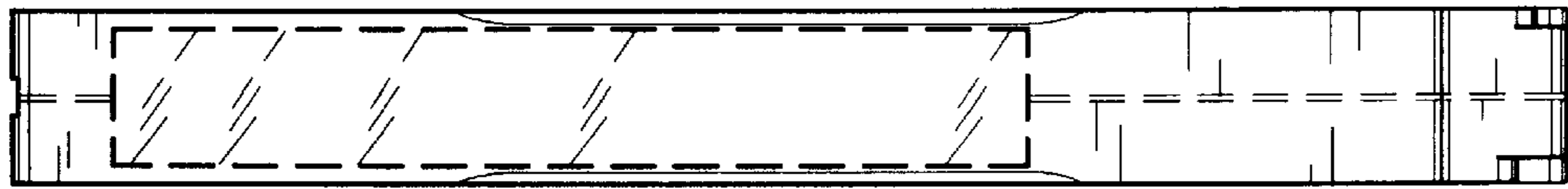


FIG. 3

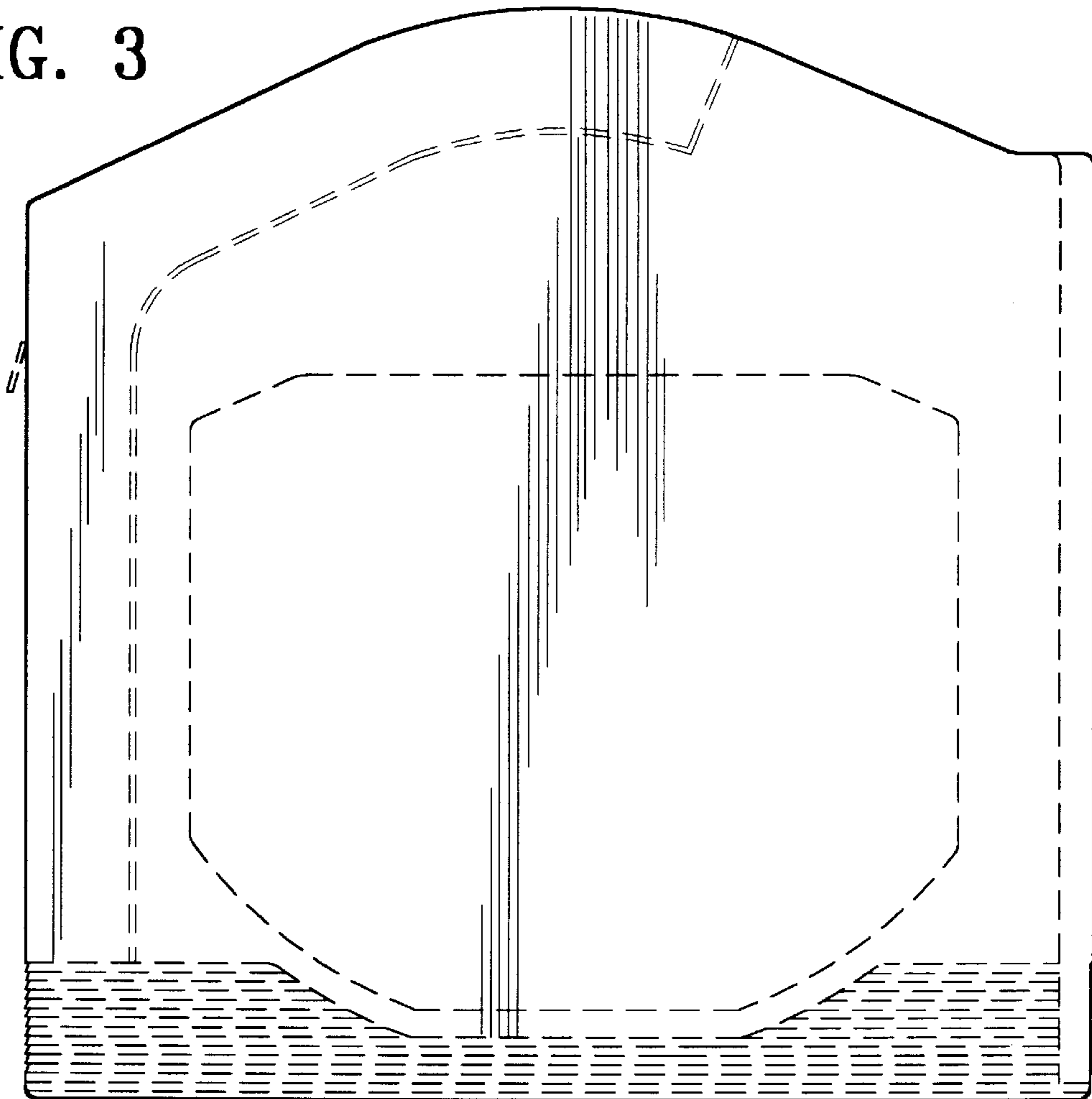


FIG. 4

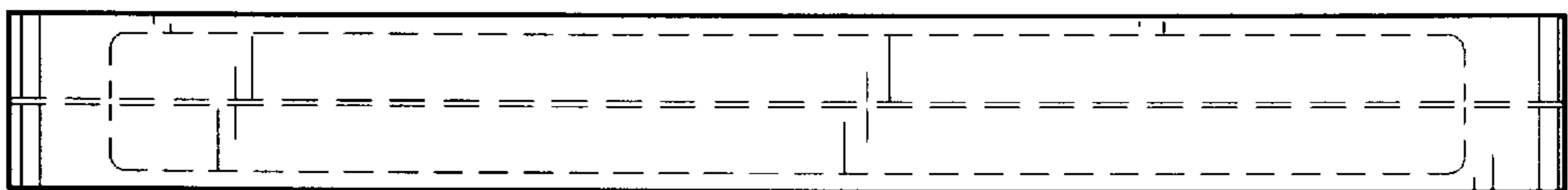


FIG. 5

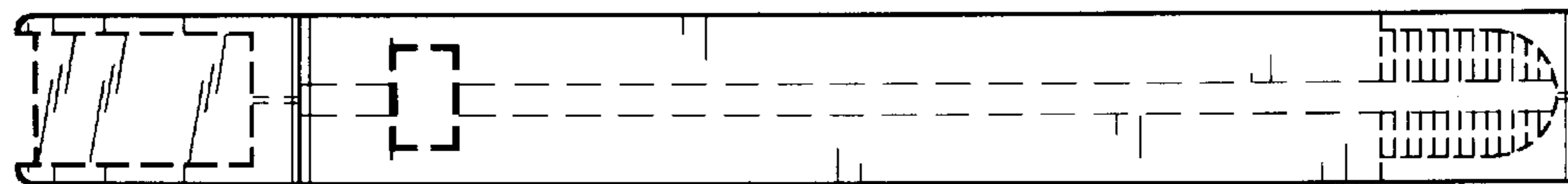


FIG. 6

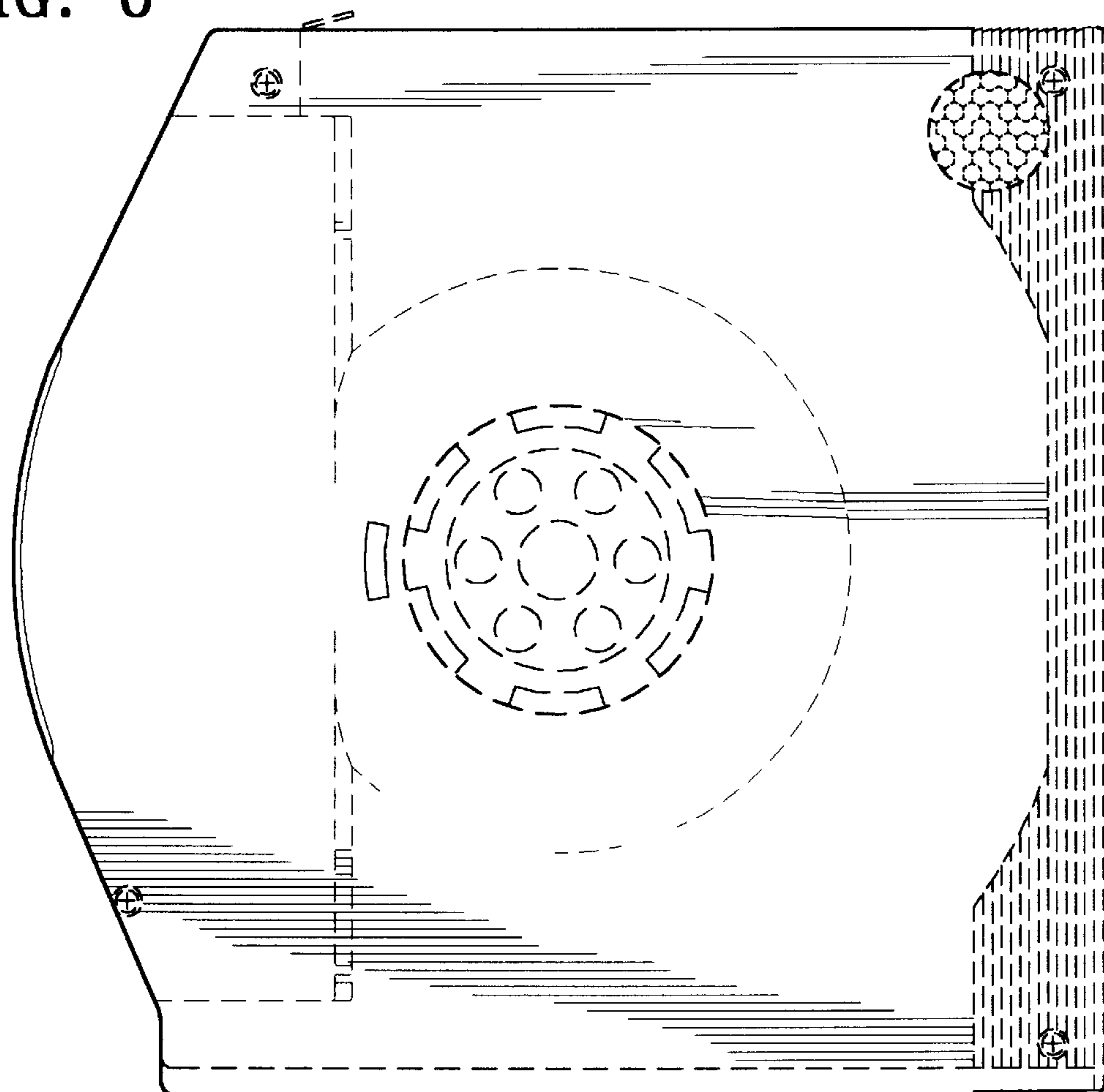


FIG. 7

