



US00D430574S

# United States Patent [19] Matsumoto

[11] Patent Number: **Des. 430,574**

[45] Date of Patent: **\*\* Sep. 5, 2000**

[54] **FACSIMILE TRANSMITTER-RECEIVER**

[75] Inventor: **Hidero Matsumoto**, Houya, Japan

[73] Assignee: **Canon Kabushiki Kaisha**, Tokyo, Japan

[\*\*] Term: **14 Years**

[21] Appl. No.: **29/112,659**

[22] Filed: **Oct. 22, 1999**

[30] **Foreign Application Priority Data**

Apr. 27, 1999 [JP] Japan ..... 11-011231

[51] **LOC (7) Cl.** ..... **16-03**

[52] **U.S. Cl.** ..... **D14/462**

[58] **Field of Search** ..... D14/462, 469,  
D14/470, 124; 358/400, 401; D18/36, 37,  
70

[56] **References Cited**

**U.S. PATENT DOCUMENTS**

D. 358,811 5/1995 Chien ..... D14/469

D. 370,905 6/1996 Ishio ..... D14/469  
D. 395,332 6/1998 Leong et al. .... D14/470  
D. 409,996 5/1999 Isomoto ..... D14/462  
4,872,061 10/1989 Uchiyama ..... 358/400  
4,914,281 4/1990 Benton et al. .... 358/400

*Primary Examiner*—Prabhakar Deshmukh  
*Attorney, Agent, or Firm*—Fitzpatrick, Cella, Harper & Scinto

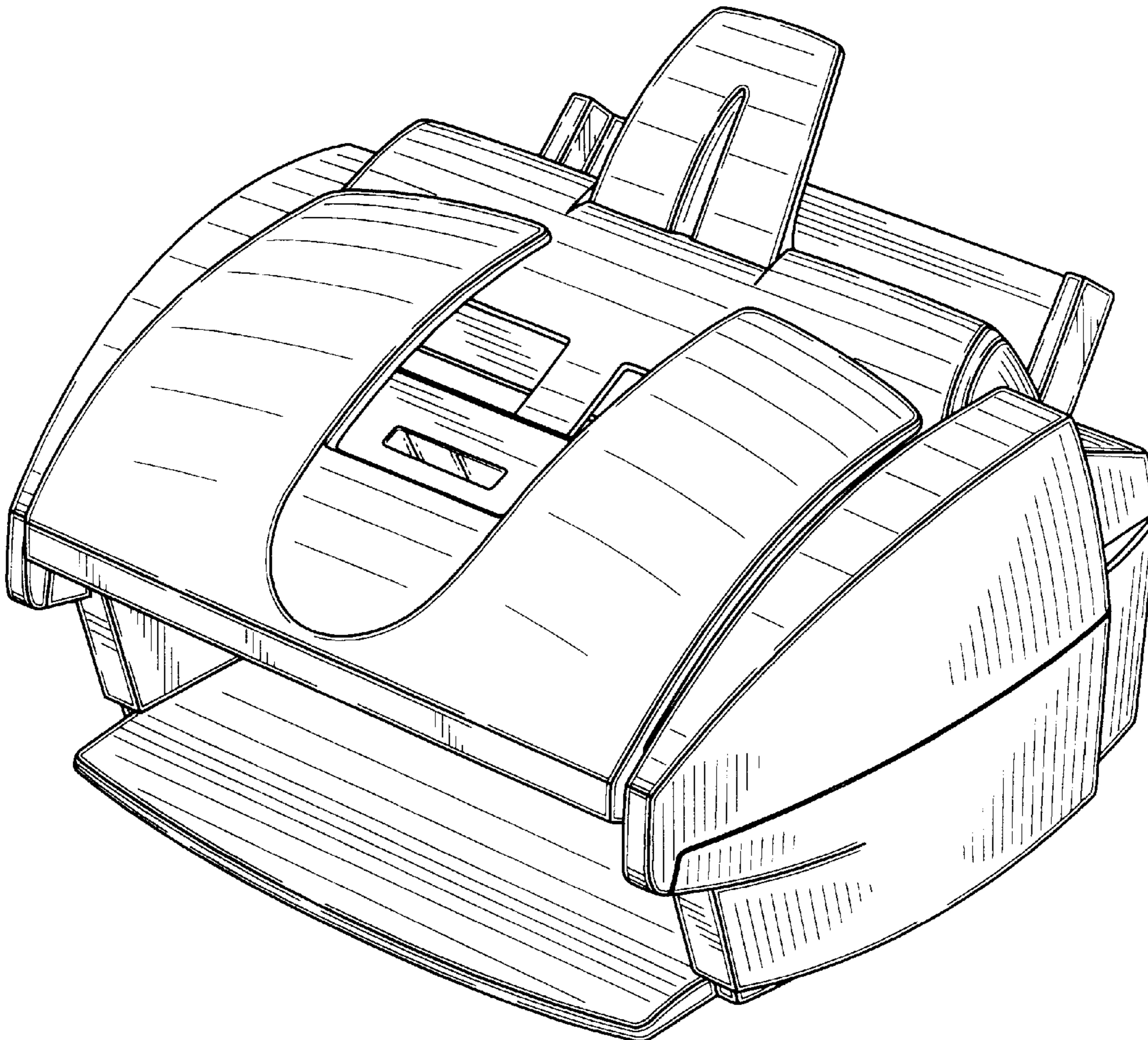
[57] **CLAIM**

The ornamental design for a facsimile transmitter-receiver, as shown and described.

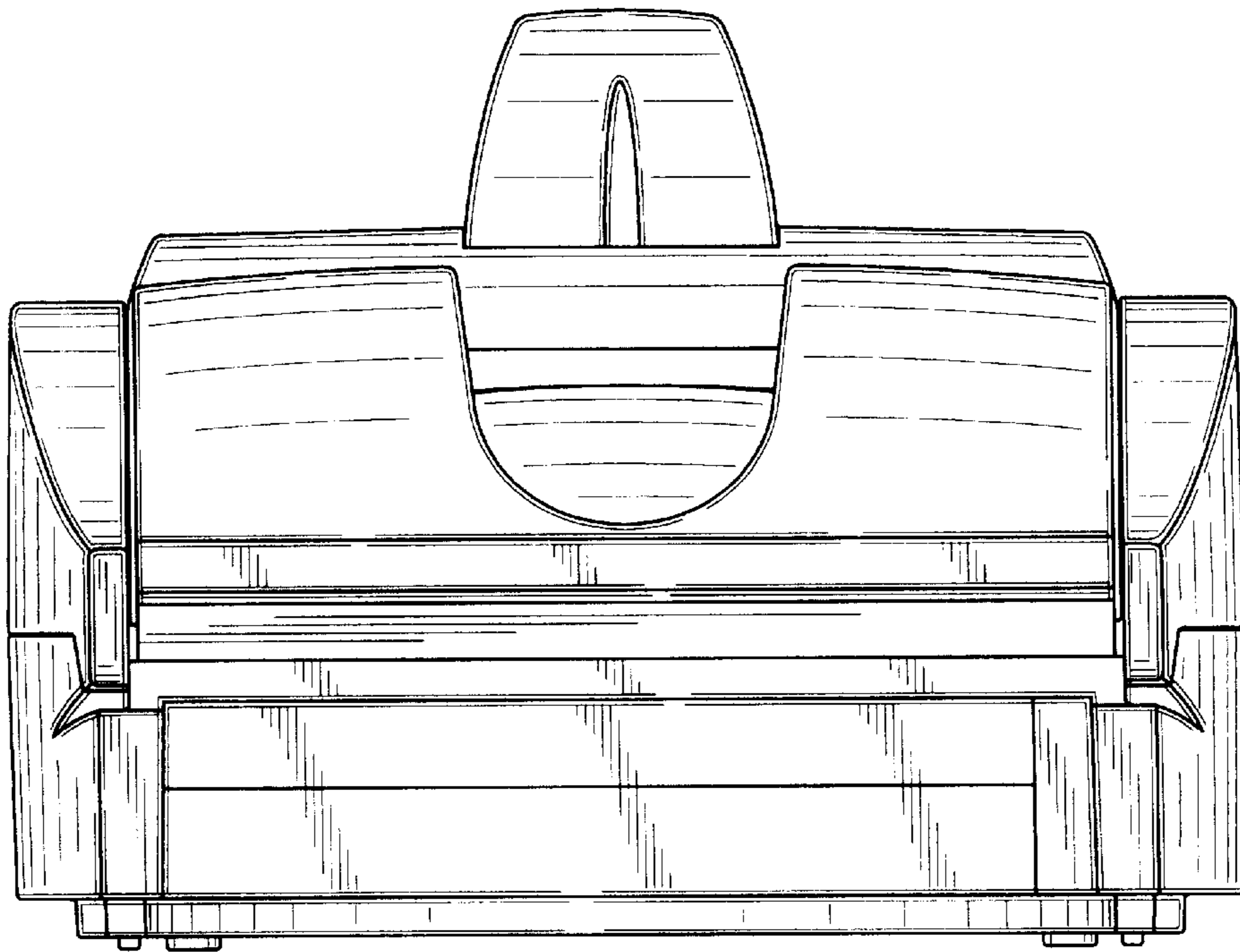
**DESCRIPTION**

FIG. 1 is a front view of a facsimile transmitter-receiver showing my new design;  
FIG. 2 is a rear view thereof;  
FIG. 3 is a top plan view thereof;  
FIG. 4 is a bottom plan view thereof;  
FIG. 5 is a left side view thereof;  
FIG. 6 is a right side view thereof; and,  
FIG. 7 is a perspective view thereof.

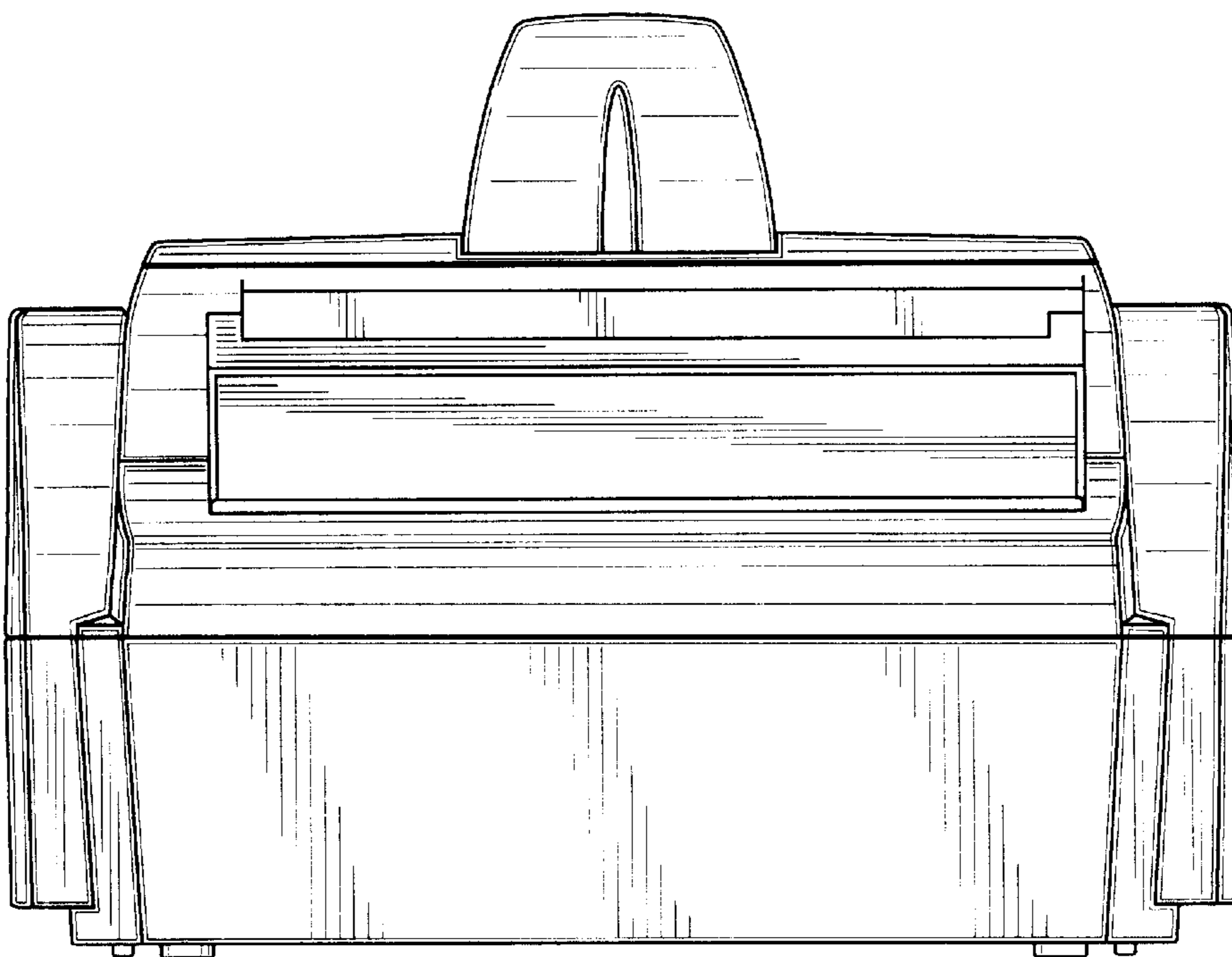
**1 Claim, 5 Drawing Sheets**



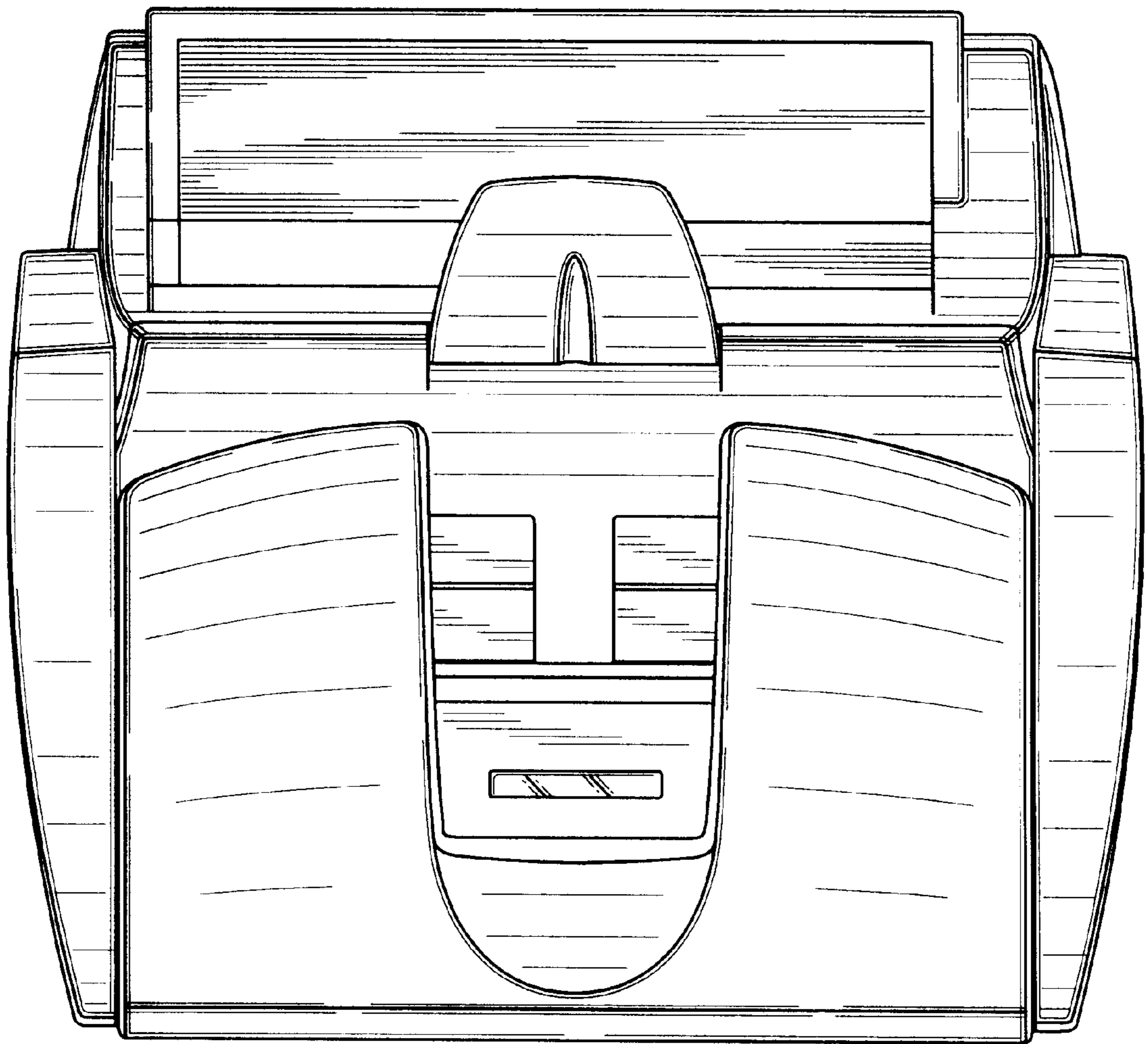
**FIG. 1**



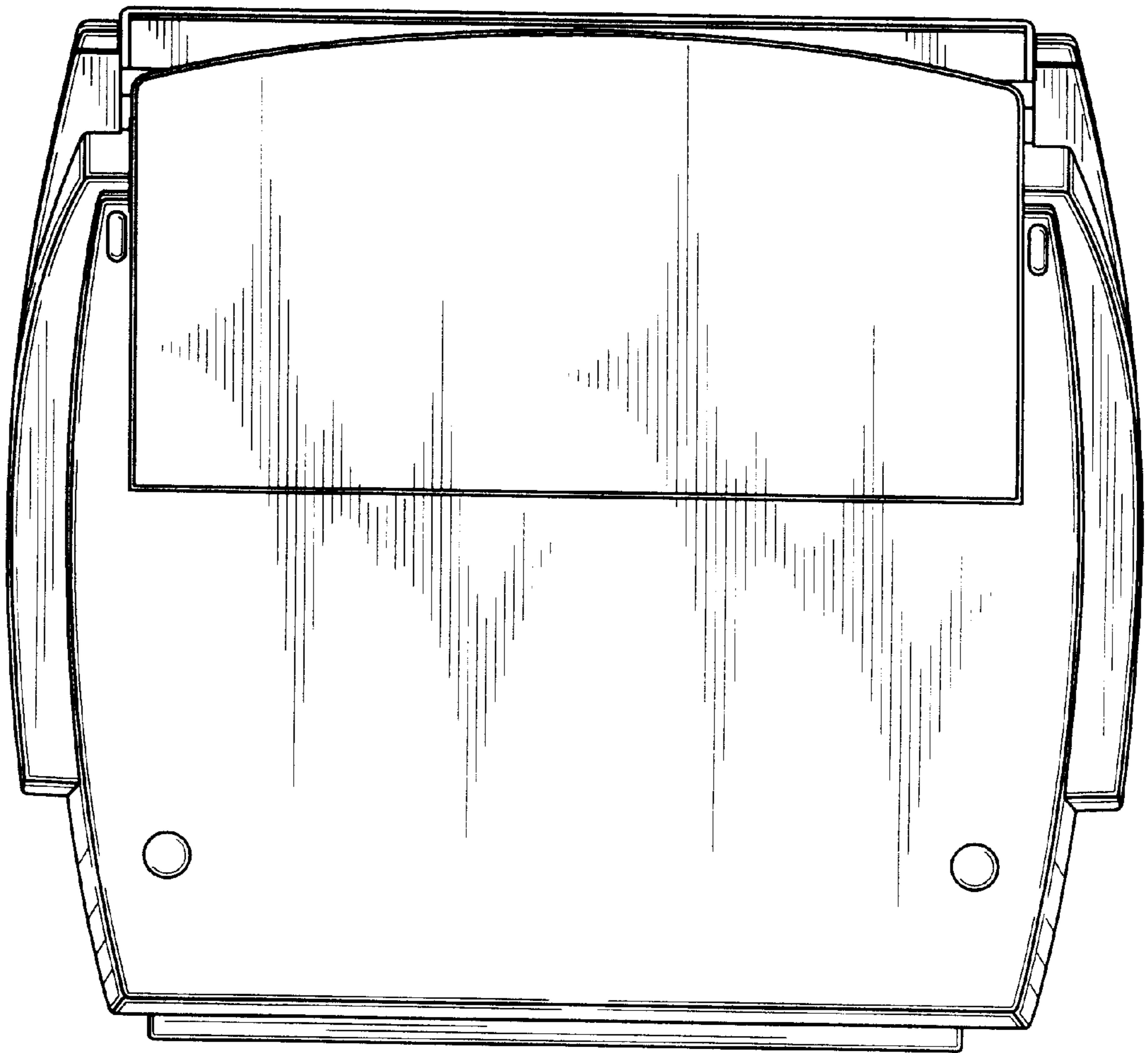
**FIG. 2**



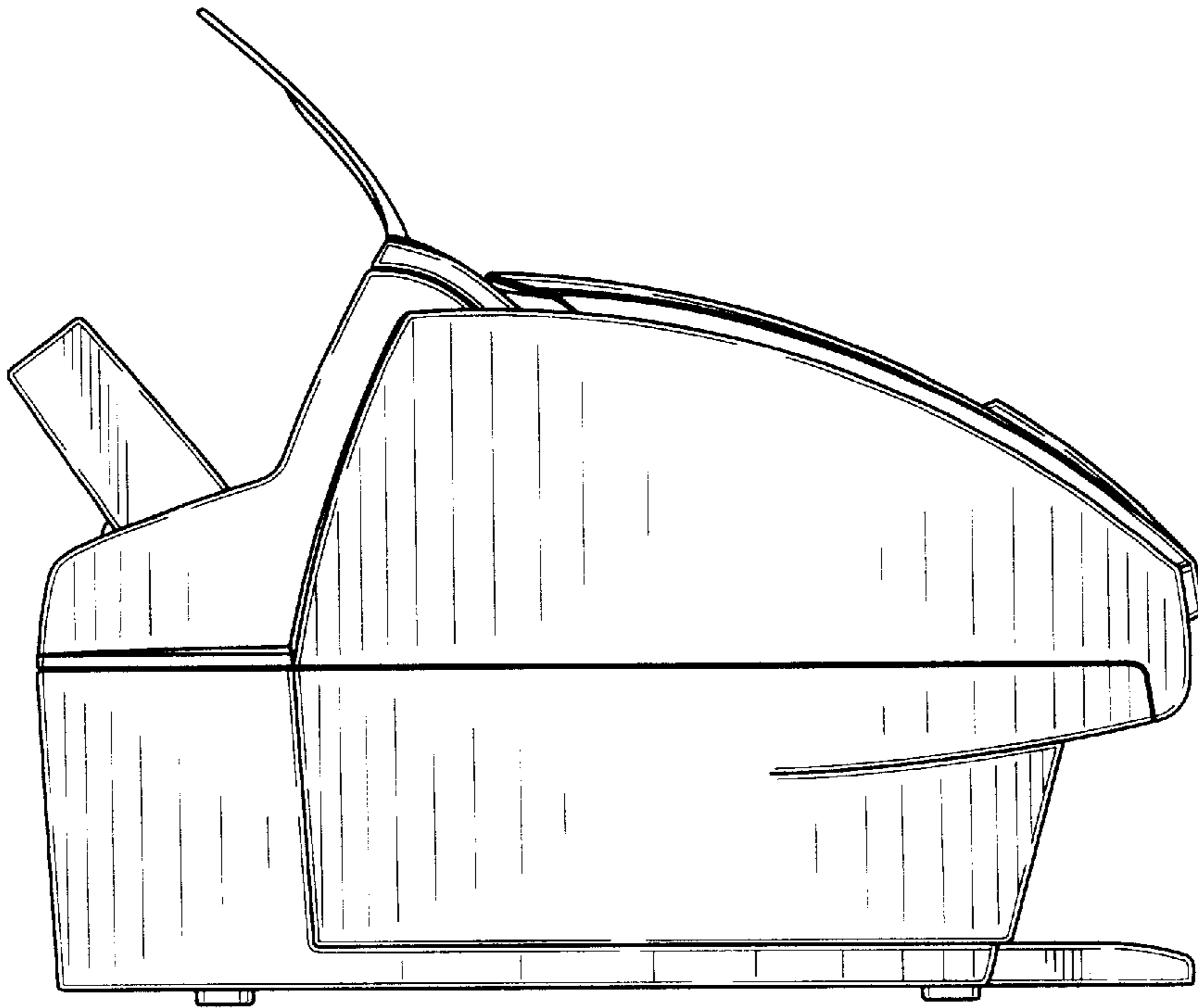
*FIG. 3*



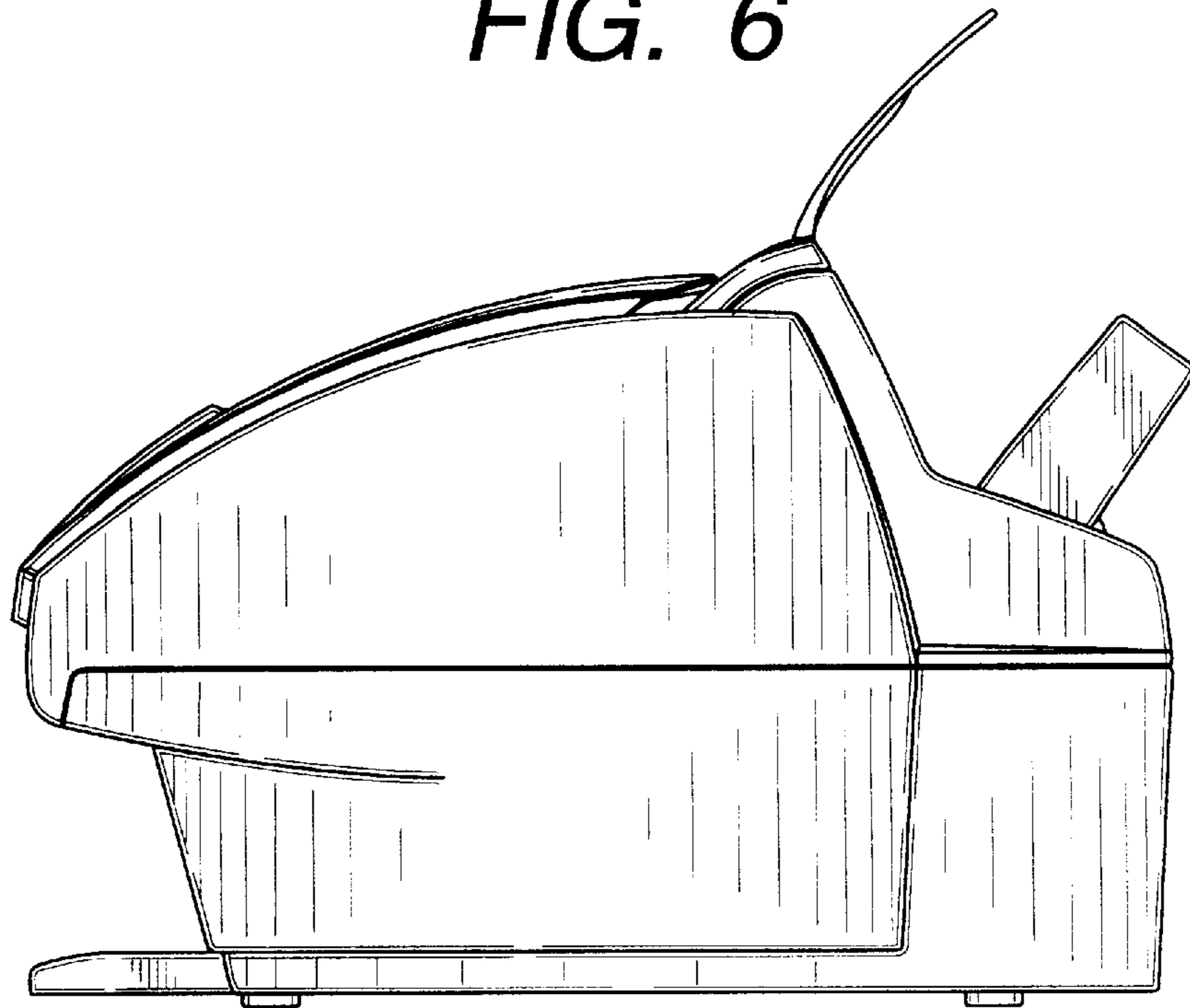
*FIG. 4*



**FIG. 5**



**FIG. 6**



*FIG. 7*

