



US00D430572S

United States Patent [19]

Bredeson

[11] Patent Number: **Des. 430,572**

[45] Date of Patent: **** Sep. 5, 2000**

[54] **COMPUTER KEYBOARD COVER**

[76] Inventor: **Don Bredeson**, 940 Main St.,
Louisville, Colo. 80027

[**] Term: **14 Years**

[21] Appl. No.: **29/110,363**

[22] Filed: **Sep. 3, 1999**

[51] **LOC (7) Cl.** **14-02**

[52] **U.S. Cl.** **D14/455**

[58] **Field of Search** D14/455, 456,
D14/457; 400/713-715; 248/118, 917-24;
D7/609; 220/4.21

[56] **References Cited**

U.S. PATENT DOCUMENTS

- D. 209,224 11/1967 Appel .
- D. 232,799 9/1974 Knudson .
- D. 273,788 5/1984 Ault D14/455
- D. 286,126 10/1986 Driscoll D7/609
- D. 342,944 1/1994 Rhodes D14/455
- D. 371,278 7/1996 Jurgensen D7/609

- D. 412,321 7/1999 Wu .
- 2,736,452 2/1956 Roop .
- 5,346,164 9/1994 Allen .
- 5,551,497 9/1996 Stanley .

Primary Examiner—M. H. Tung
Attorney, Agent, or Firm—Duft, Graziano & Forest, P.C.

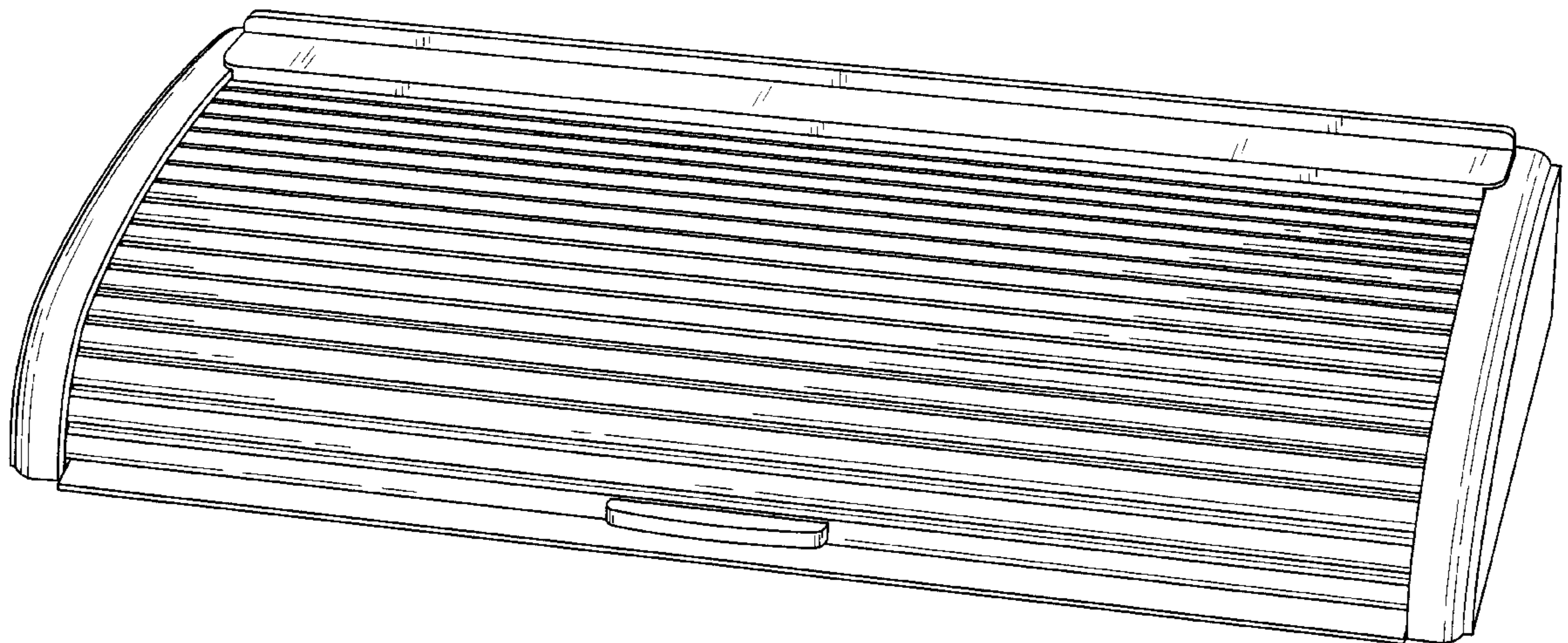
[57] **CLAIM**

The ornamental design for a computer keyboard cover, as shown and described.

DESCRIPTION

FIG. 1 is a top, right, front, perspective view of a computer keyboard cover showing my new design;
FIG. 2 is a top plan view thereof;
FIG. 3 is a bottom plan view thereof;
FIG. 4 is a front elevational view thereof;
FIG. 5 is a rear elevational view thereof;
FIG. 6 is a left side elevational view thereof;
FIG. 7 is a right side elevational view thereof; and,
FIG. 8 is a bottom, left, rear perspective view thereof.

1 Claim, 5 Drawing Sheets



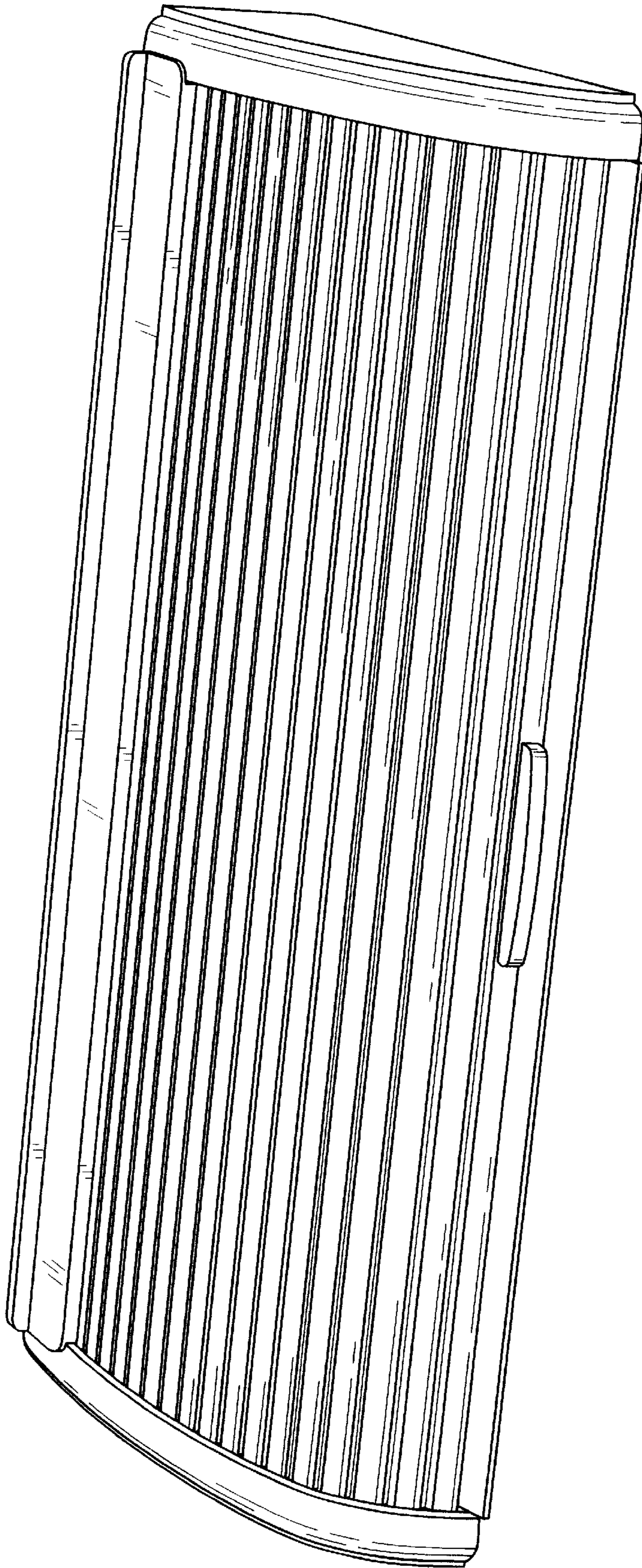


FIG. 1

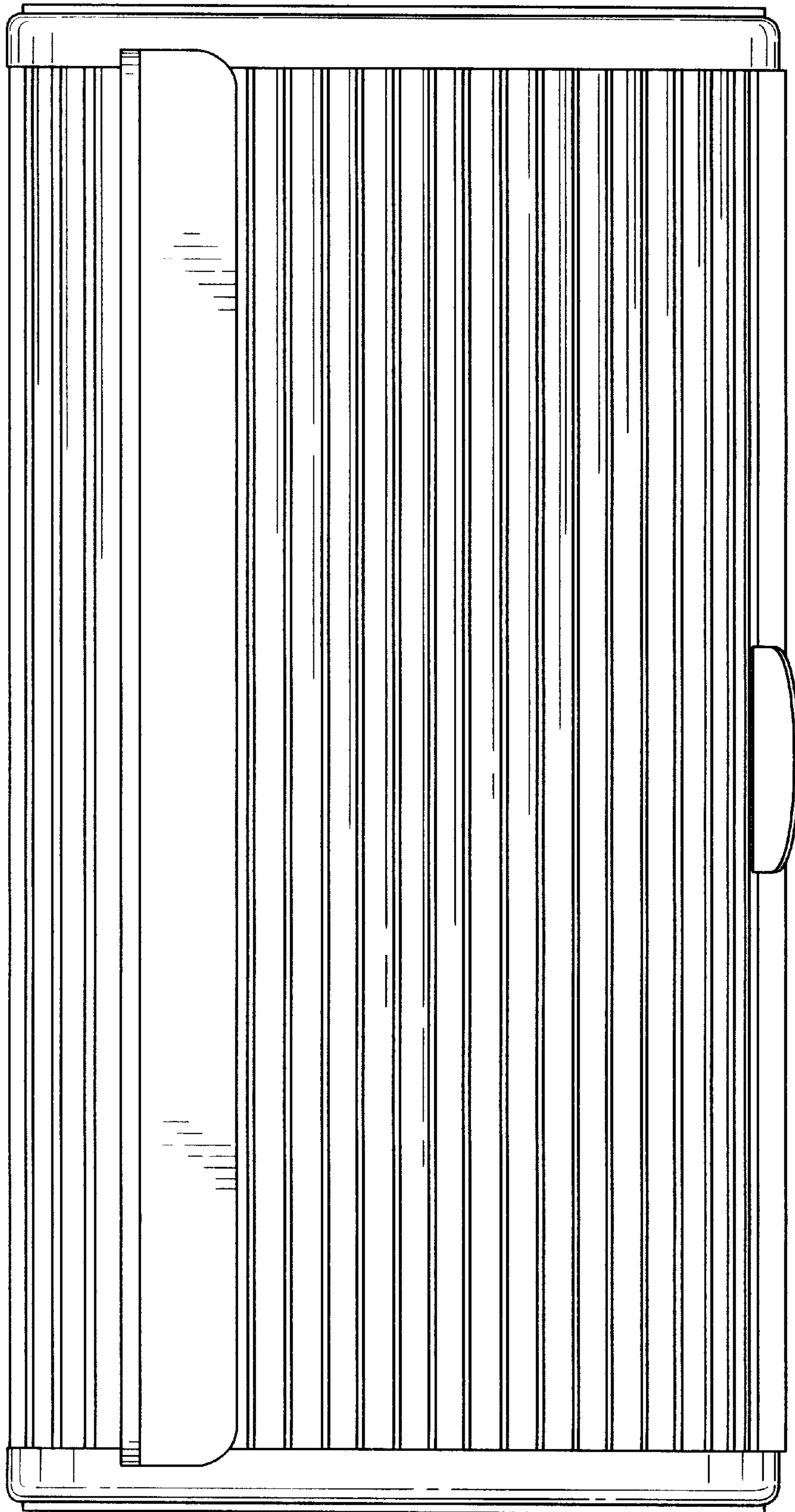


FIG. 2

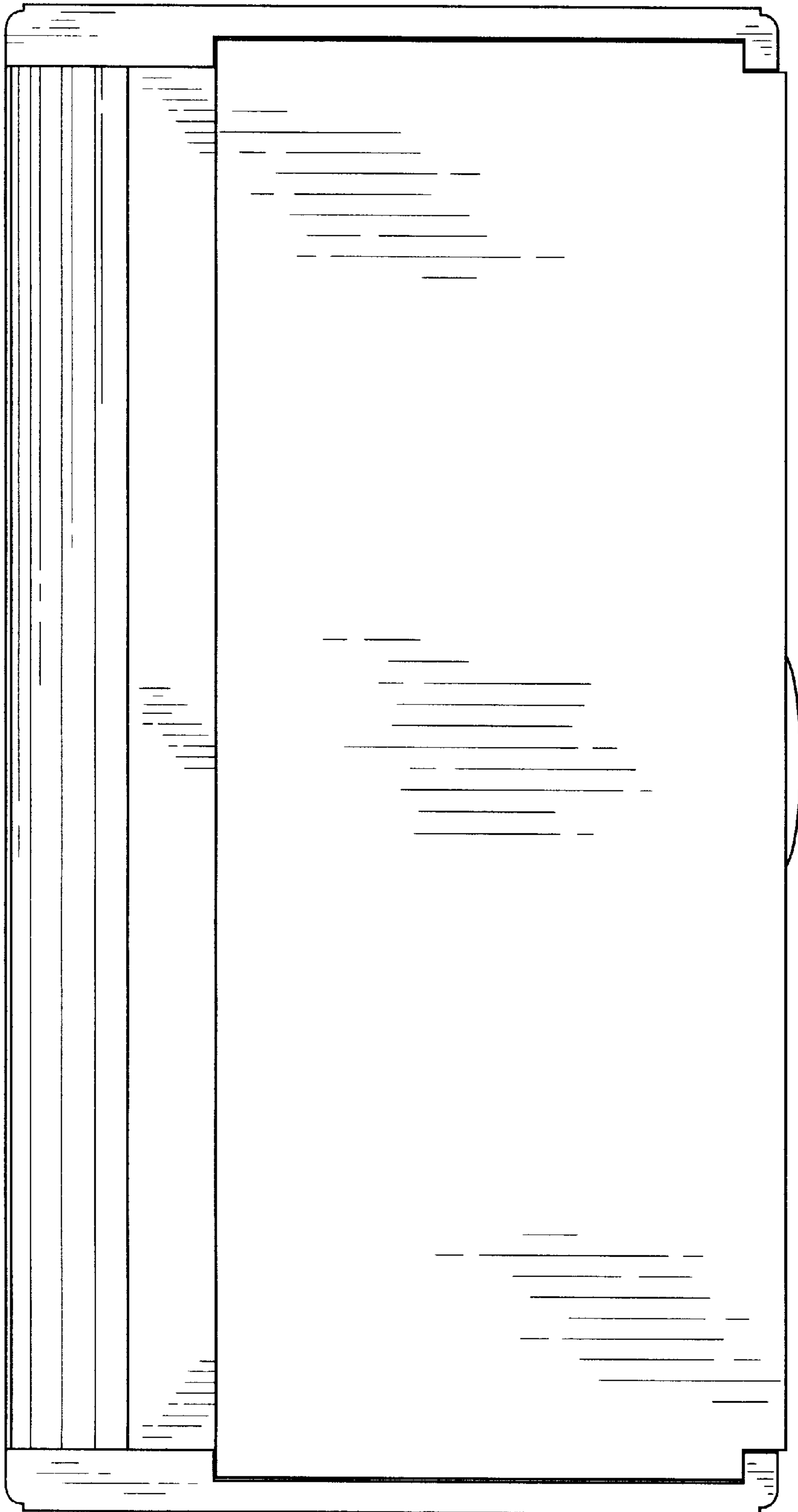


FIG. 3

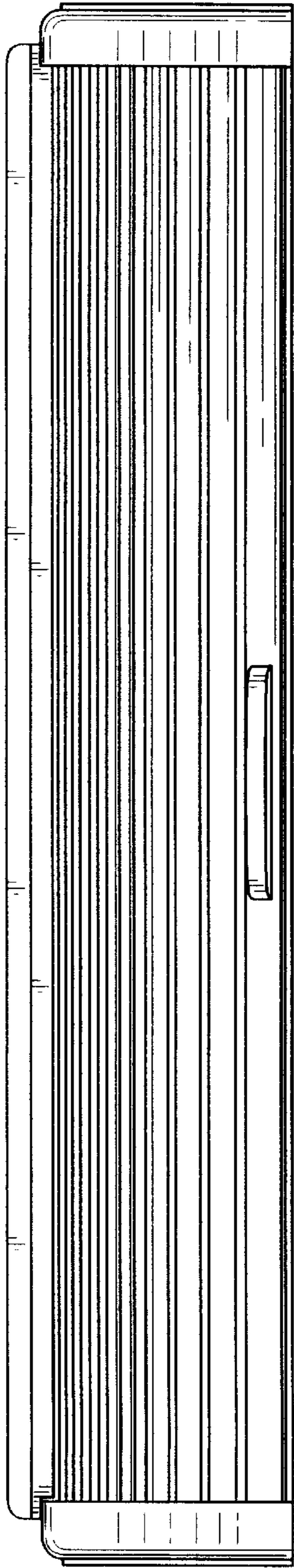


FIG. 4

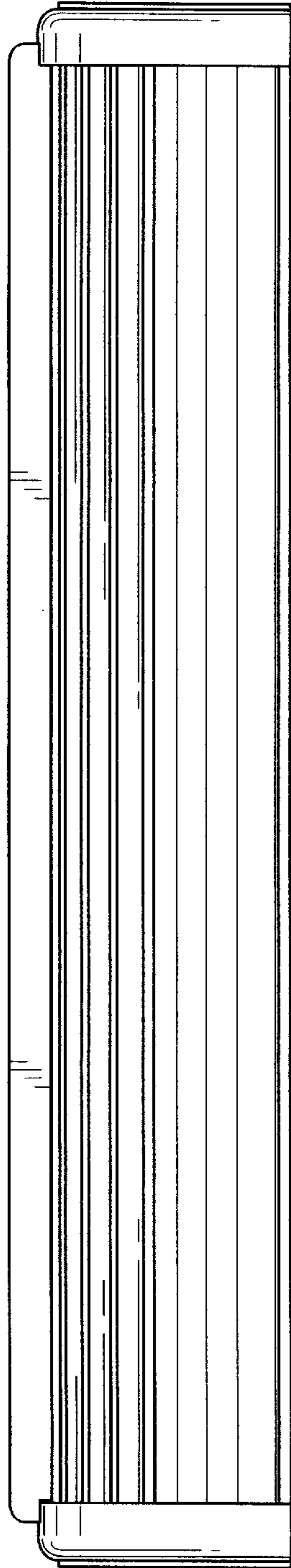


FIG. 5

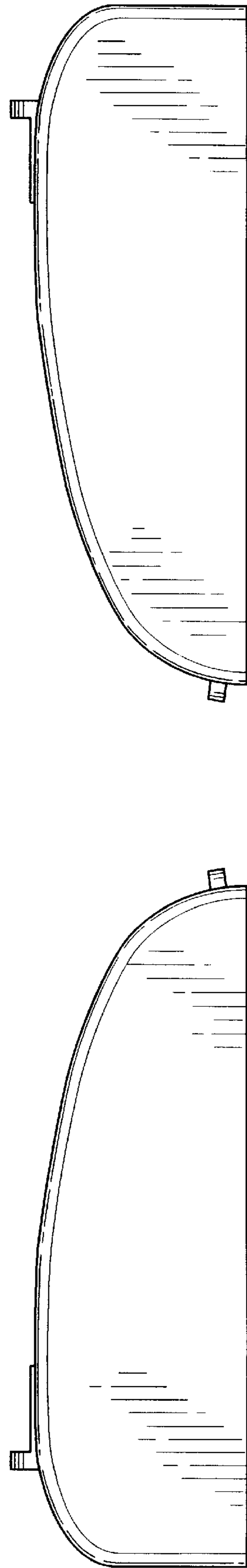


FIG. 6

FIG. 7

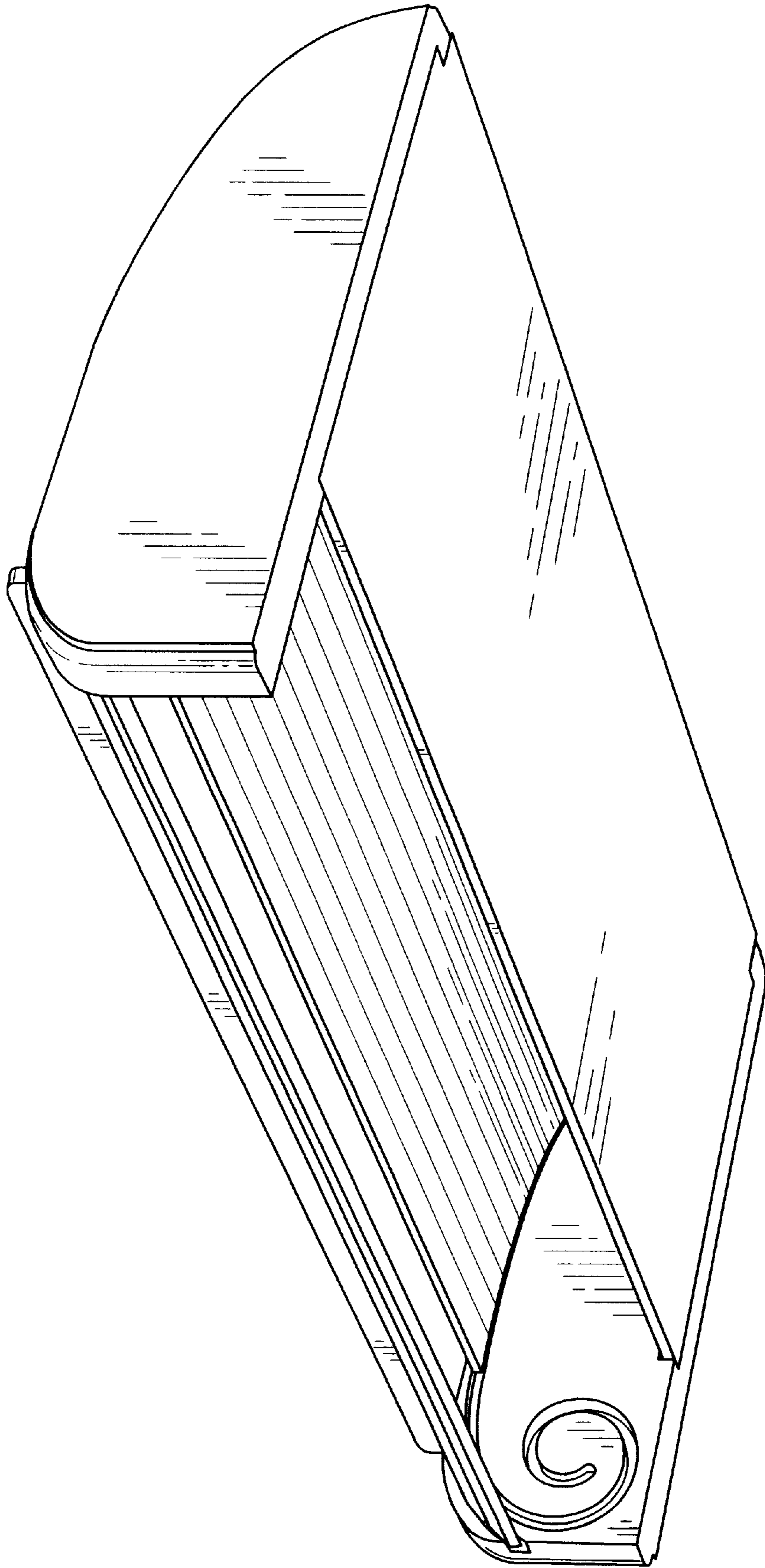


FIG. 8