



US00D430571S

United States Patent [19] Balastik

[11] **Patent Number: Des. 430,571**

[45] **Date of Patent: ** Sep. 5, 2000**

[54] **COMPUTER MOUSE SUPPORT**

[75] Inventor: **George J. Balastik**, 512-525 Alvin Road, Ottawa, Ontario, Canada, K1K 4H6

[73] Assignee: **George J. Balastik**, Ottawa, Canada

[**] Term: **14 Years**

[21] Appl. No.: **29/100,806**

[22] Filed: **Feb. 19, 1999**

[51] **LOC (7) Cl.** **14-02**

[52] **U.S. Cl.** **D14/454**

[58] **Field of Search** D14/114, 100; D6/406, 420, 509, 511, 436, 430; 248/917-25, 444.1, 442.2, 447.2

[56] **References Cited**

U.S. PATENT DOCUMENTS

- D. 363,065 10/1995 Karten et al. .
- D. 374,000 9/1996 Wood et al. D14/114

- D. 376,590 12/1996 Kao et al. D14/114
- D. 409,172 5/1999 Castle D14/114
- D. 409,588 5/1999 Dumont D14/114
- 422,080 2/1890 Hutton .
- 5,203,845 4/1993 Moore .
- 5,636,822 6/1997 Hendershot et al. .
- 5,653,499 8/1997 Goodall .
- 5,692,712 12/1997 Weinschenk, Jr. et al. .

Primary Examiner—M. H. Tung

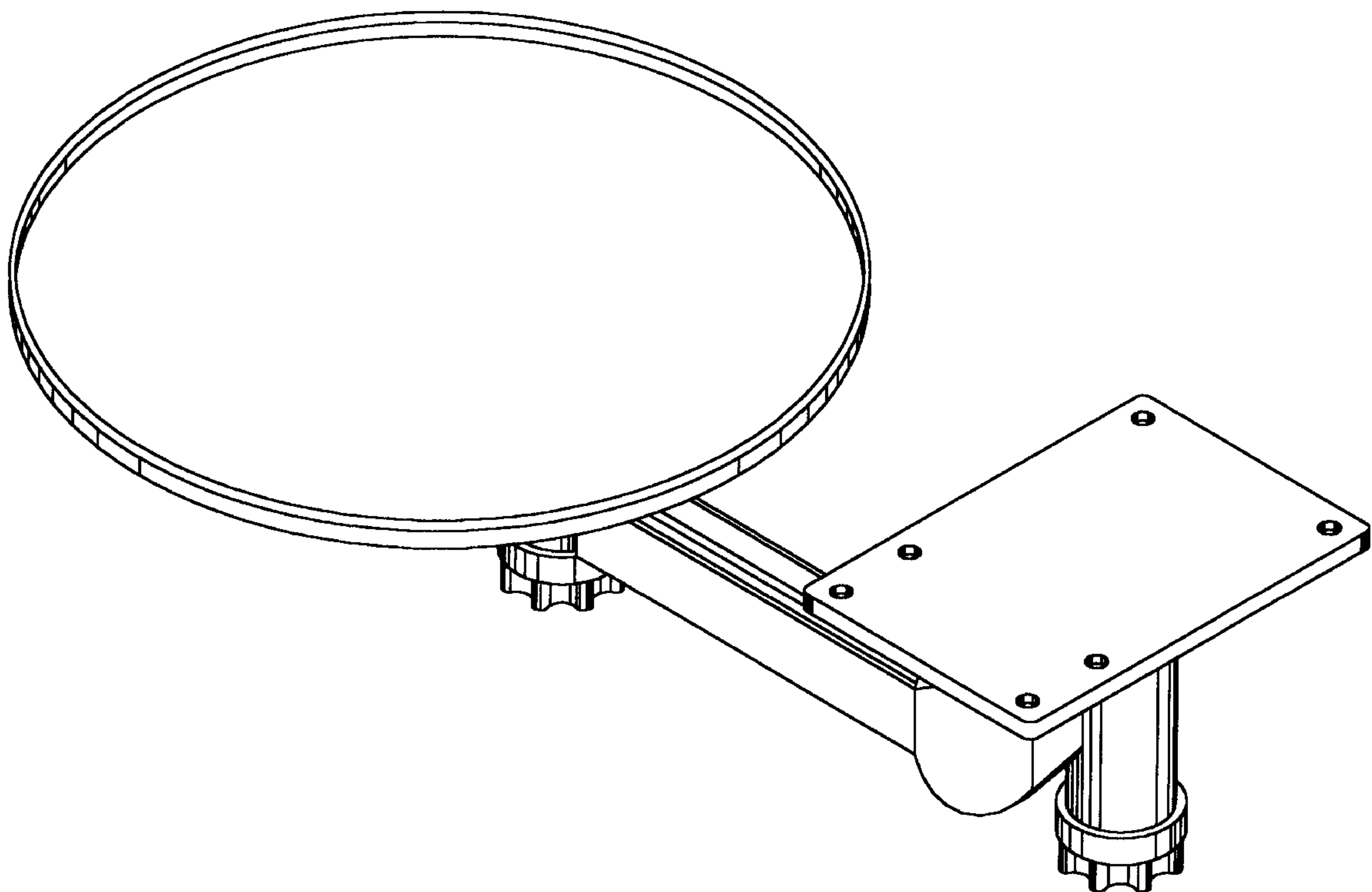
[57] **CLAIM**

The ornamental design for a computer mouse support, as shown.

DESCRIPTION

FIG. 1 is a perspective view showing the new design; FIG. 2 is a perspective bottom view thereof; FIG. 3 is a side view thereof; FIG. 4 is a bottom plan view thereof; FIG. 5 is a front view thereof; and, FIG. 6 is a rear view thereof.

1 Claim, 5 Drawing Sheets



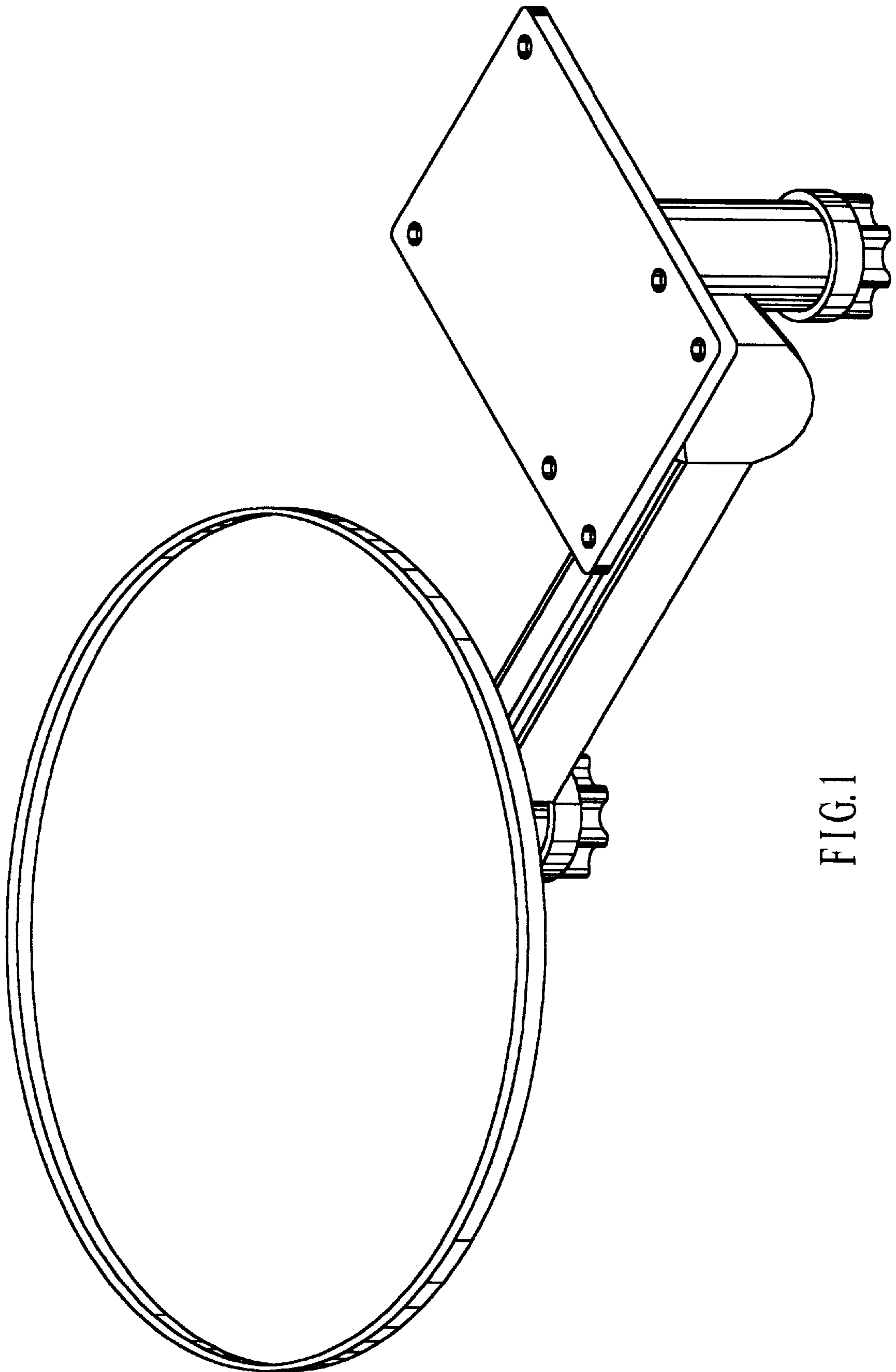


FIG. 1

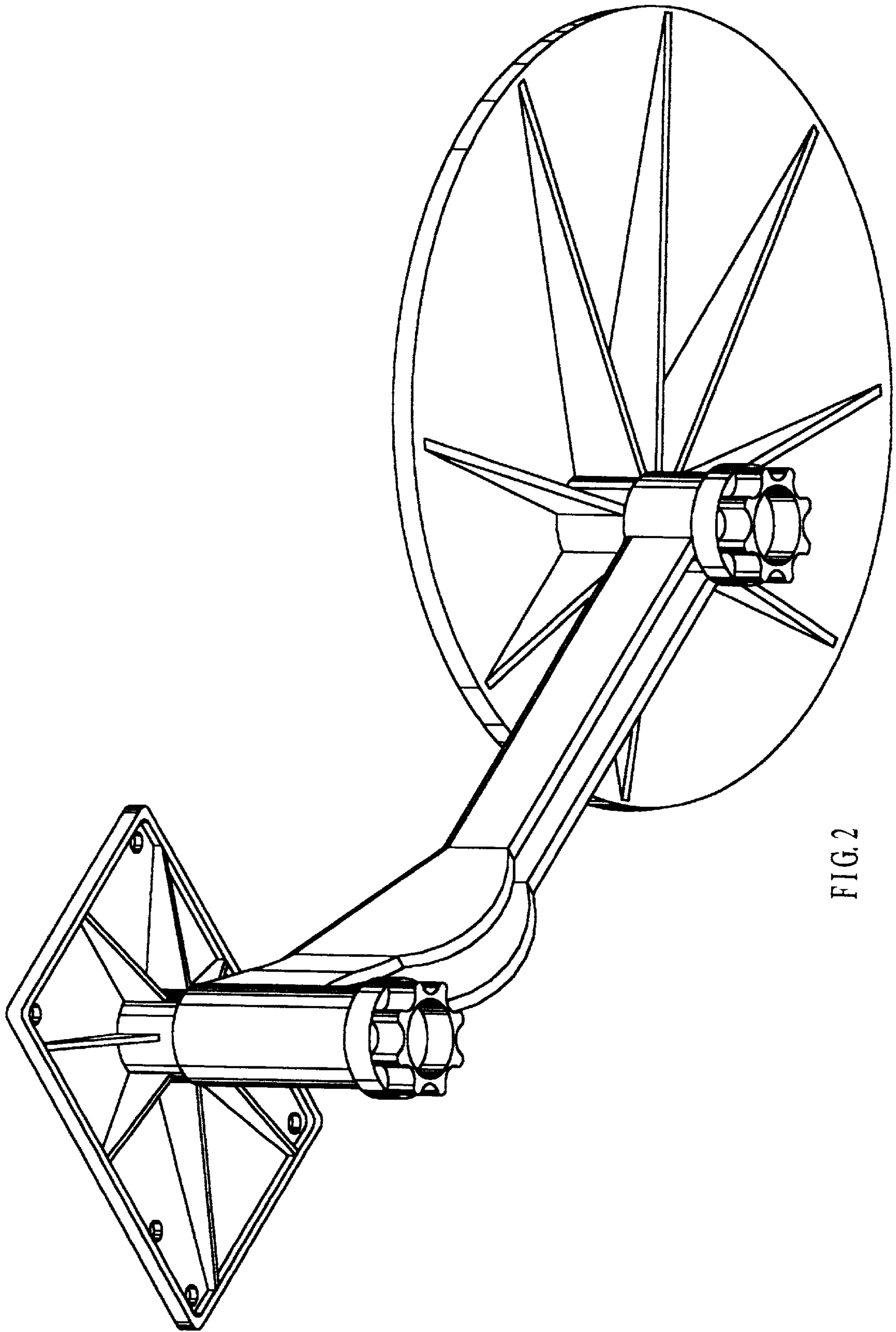


FIG. 2

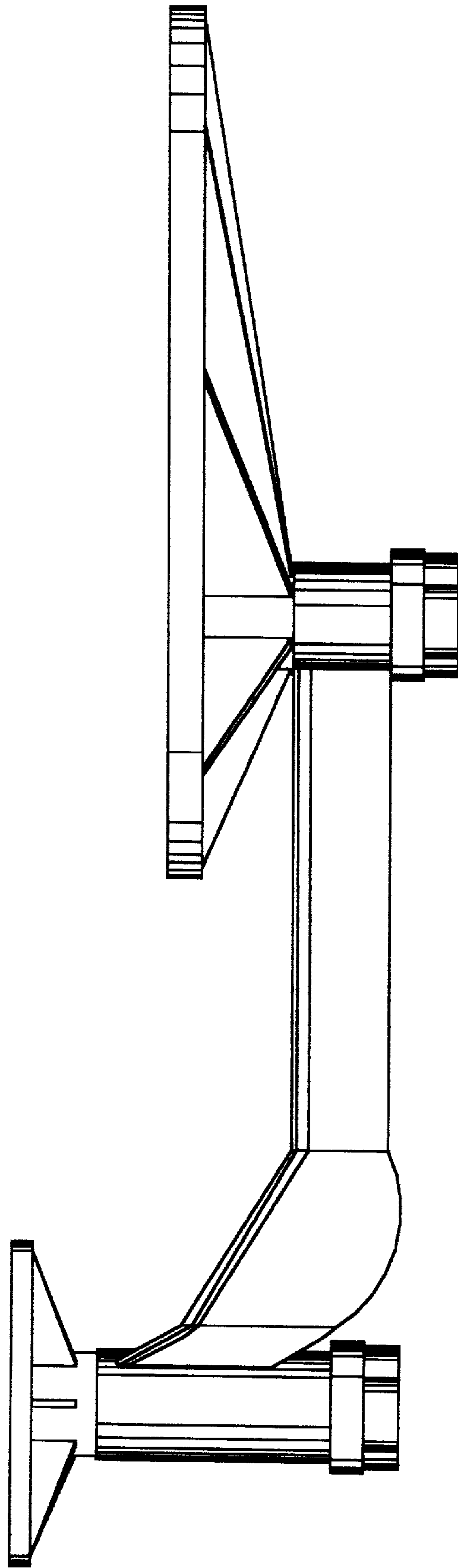


FIG. 3

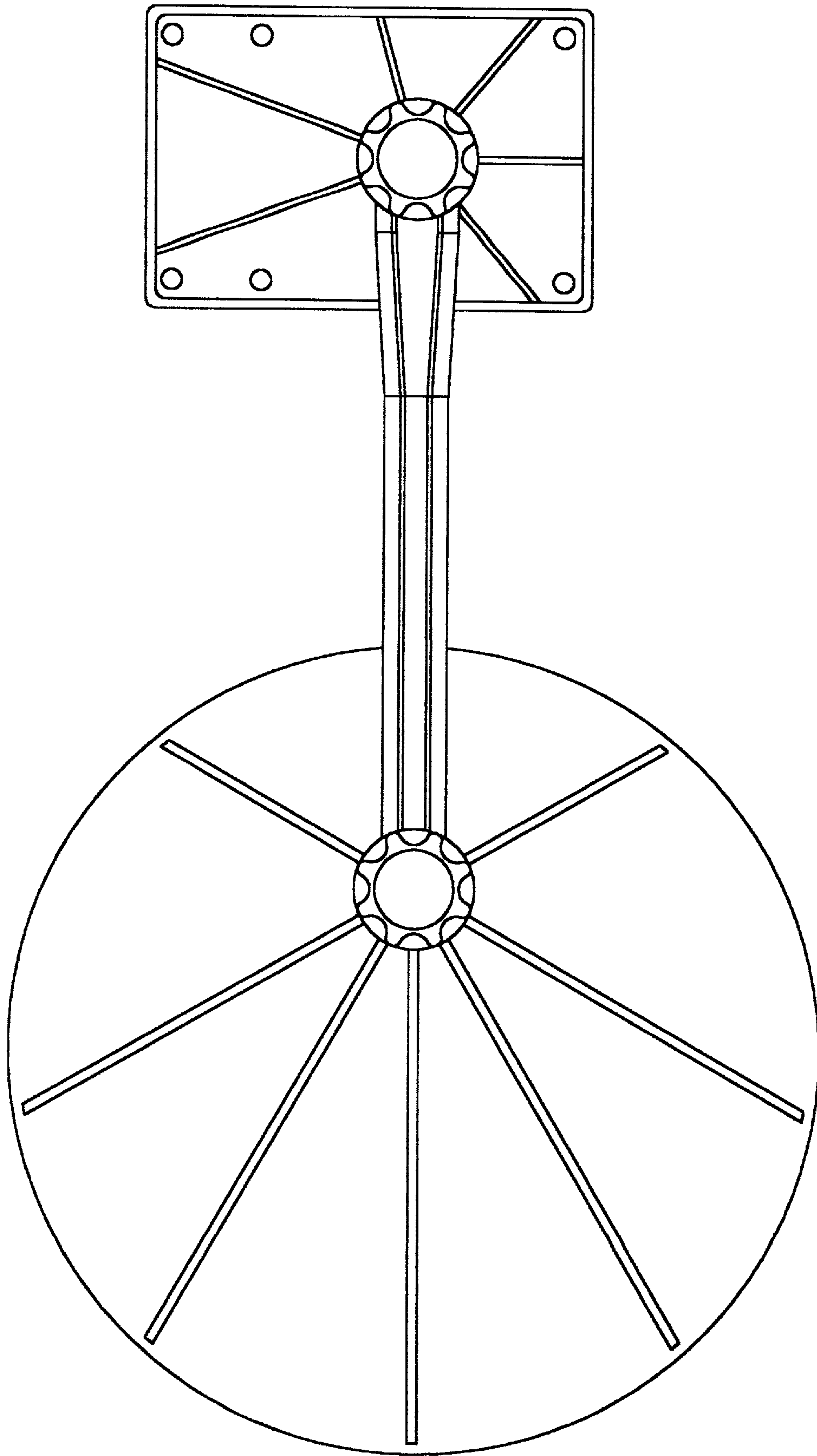


FIG. 4

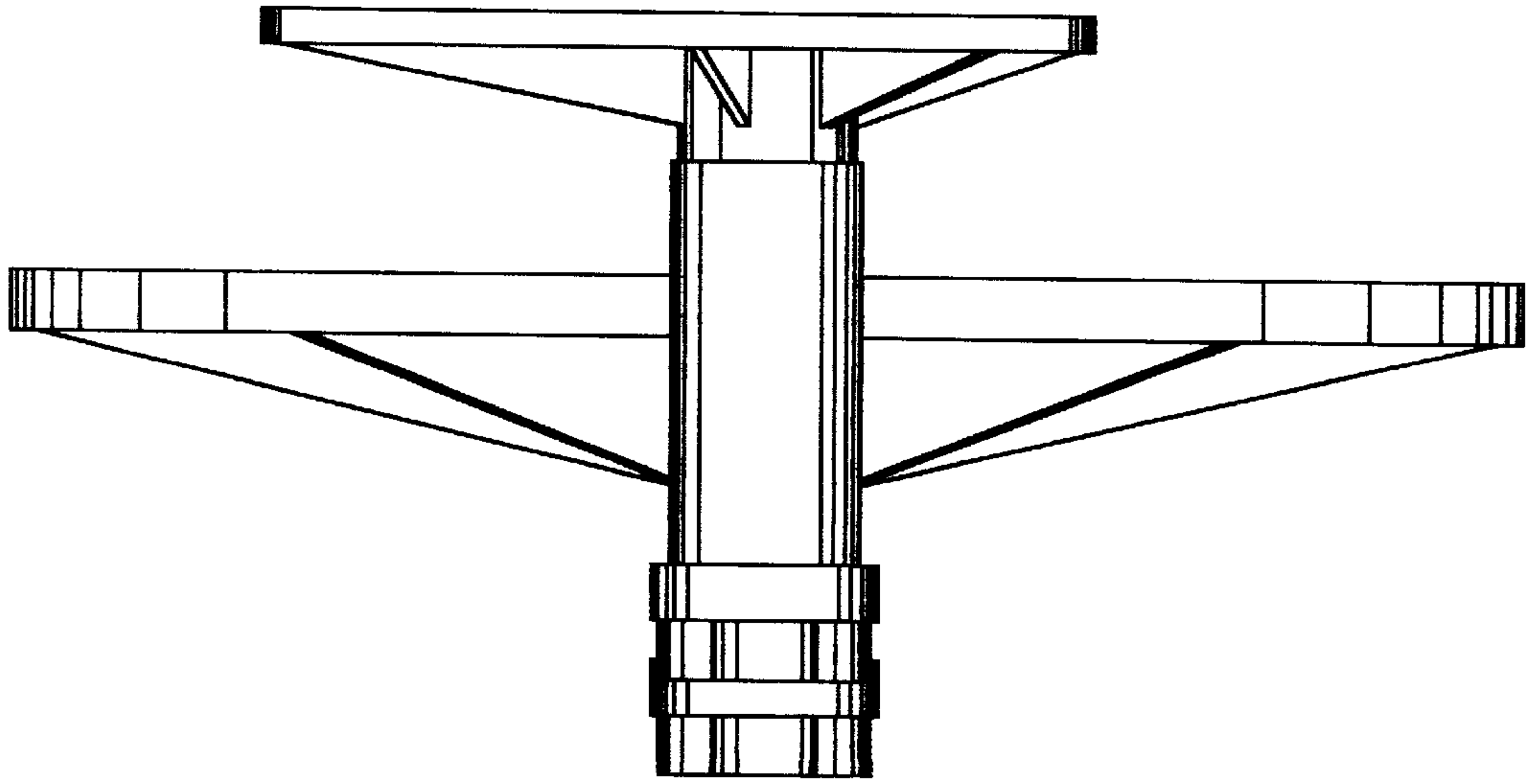


FIG. 6

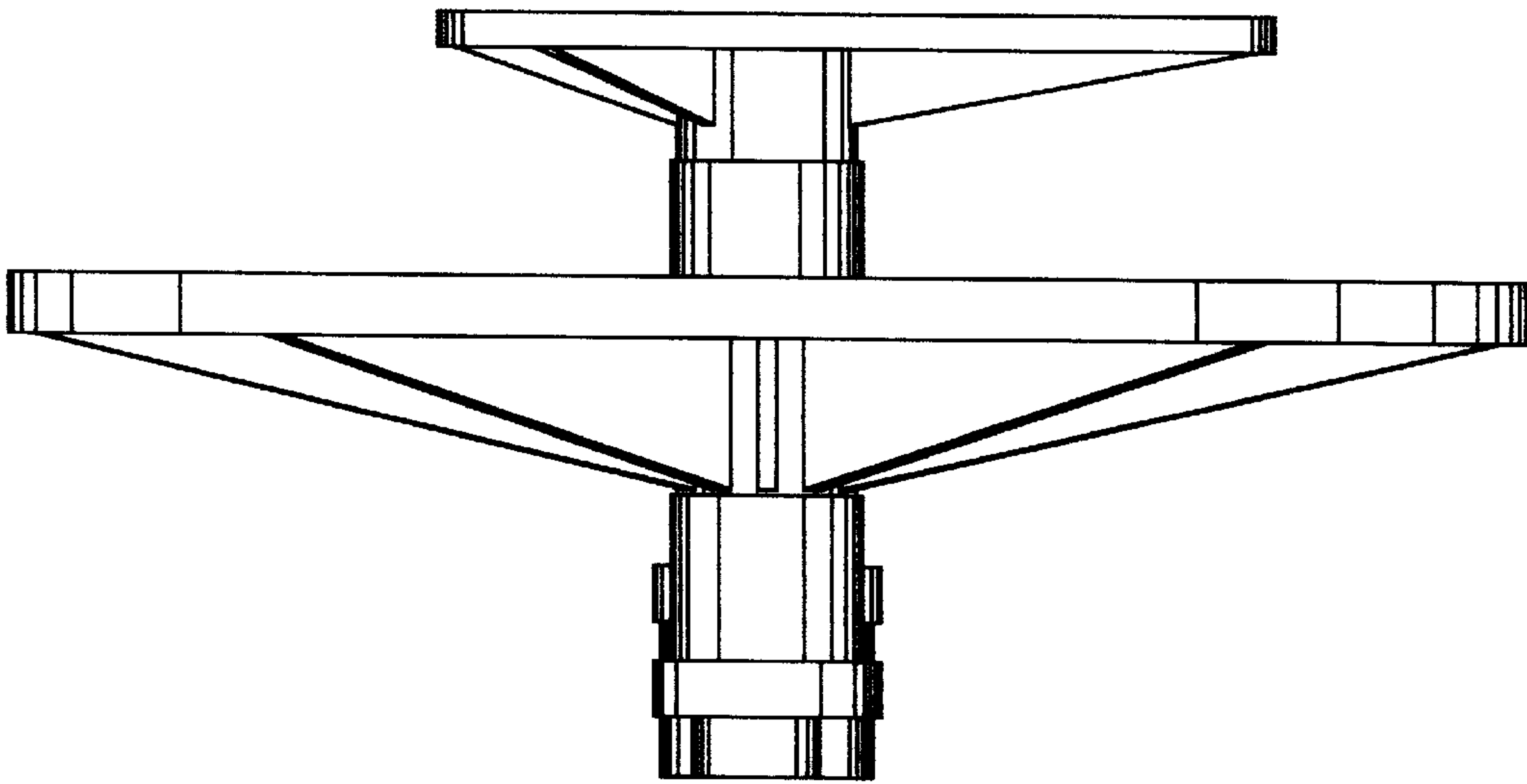


FIG. 5