



US00D430565S

United States Patent [19]

Crane, Jr. et al.

[11] Patent Number: Des. 430,565

[45] Date of Patent: ** Sep. 5, 2000

[54] COMPUTER CABINET

[75] Inventors: **Stanford W. Crane, Jr.; Kevin J. Link**, both of Boca Raton; **Daniel J. Michalski**, West Palm Beach; **Moises Behar**, Boca Raton, all of Fla.

[73] Assignee: **Silicon Bandwidth, Inc.**, Fremont, Calif.

[**] Term: **14 Years**

[21] Appl. No.: **29/081,929**

[22] Filed: **Nov. 14, 1997**

[51] LOC (7) Cl. **14-02**

[52] U.S. Cl. **D14/308**; D14/100; D14/106-7; D14/114; D11/131; D21/499; D21/386; D21/373; D1/100; 434/403; 434/187; 273/146; 428/13; 428/14

[58] Field of Search D14/100, 106-7, D14/114, 308; D11/131; D25/113; D21/499, 386, 373; D1/100; 434/403, 187; 273/146; 428/13, 14; D6/445, 441

[56] **References Cited**

U.S. PATENT DOCUMENTS

- D. 253,584 12/1979 Dorsen D11/131
- D. 304,208 10/1989 Loftus D21/373

- D. 339,615 9/1993 Stewart D21/499
- D. 383,799 9/1997 Beaumier et al. D21/373
- D. 389,874 1/1998 Kazangian D21/373
- 2,148,102 2/1939 Brumer .
- 2,430,681 11/1947 Johnson .
- 2,570,625 10/1951 Zimmerman et al. .
- 3,233,343 2/1966 Short .
- 3,461,574 8/1969 Larsen et al. .
- 4,308,016 12/1981 White .
- 4,838,794 6/1989 Coddington .

Primary Examiner—M. H. Tung
Attorney, Agent, or Firm—Morgan, Lewis & Bockius LLP

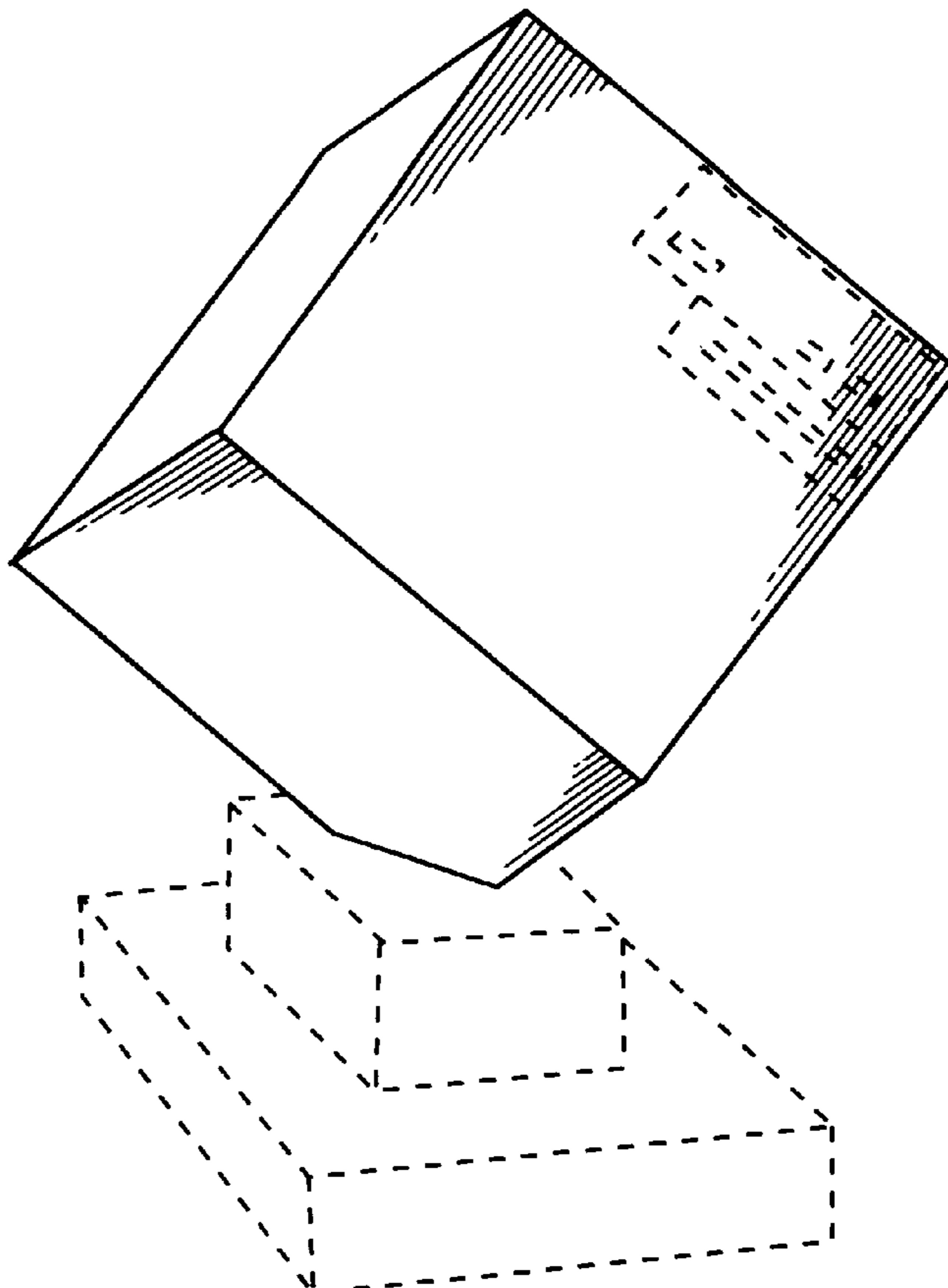
[57] **CLAIM**

The ornamental design for a computer cabinet, as shown and described.

DESCRIPTION

FIG. 1 is a perspective view of a computer cabinet;
 FIG. 2 is a front view thereof;
 FIG. 3 is a left side view thereof, the right side view is a mirror image;
 FIG. 4 is a back view thereof; and,
 FIG. 5 is a top view thereof.
 The broken line drawings of disk drive bays in FIGS. 1, 2, and 5, and the broken line drawings of a base portion in all views are for illustrative purposes only and form no part of the claimed design.

1 Claim, 3 Drawing Sheets



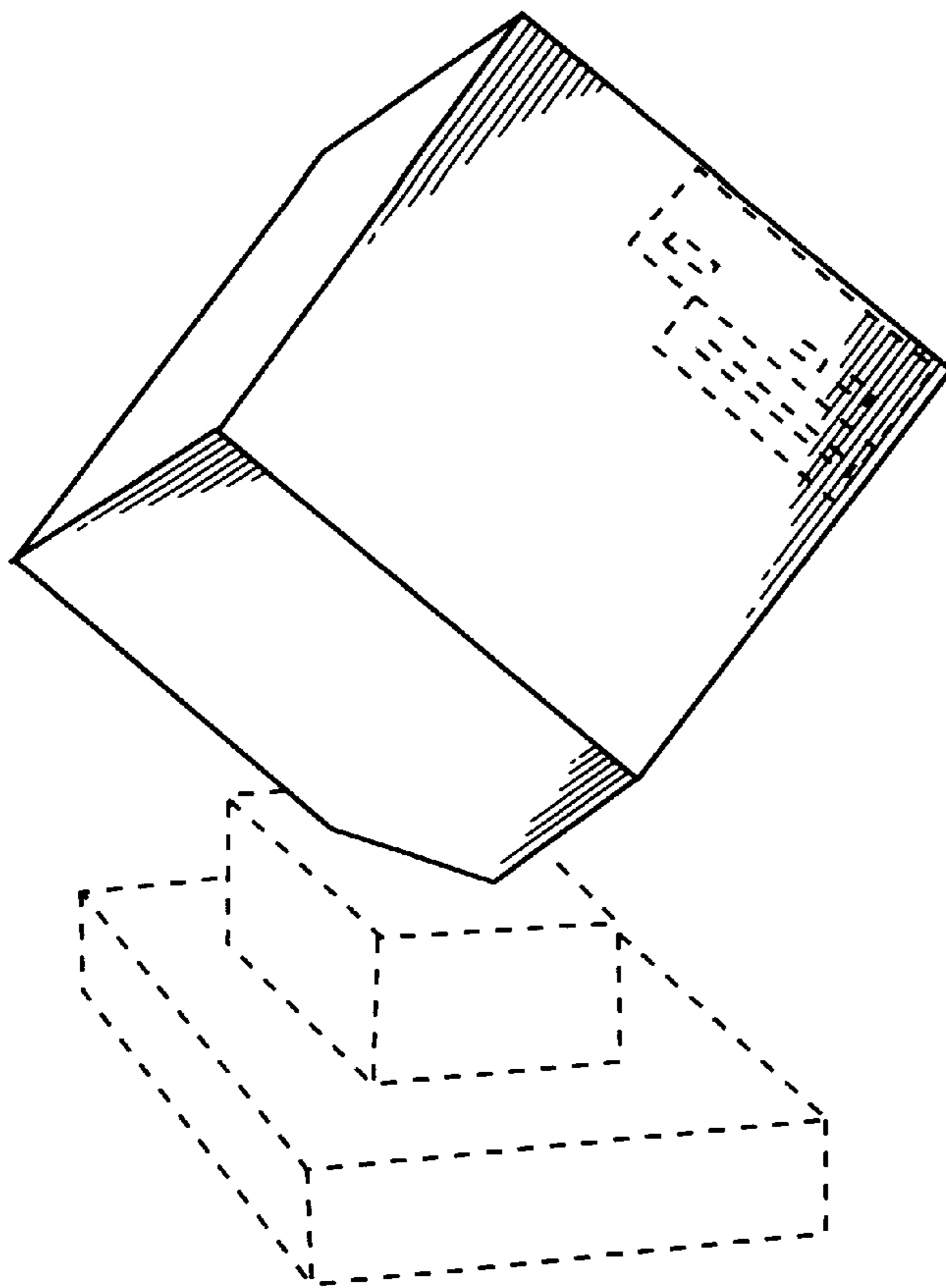


FIG. 1

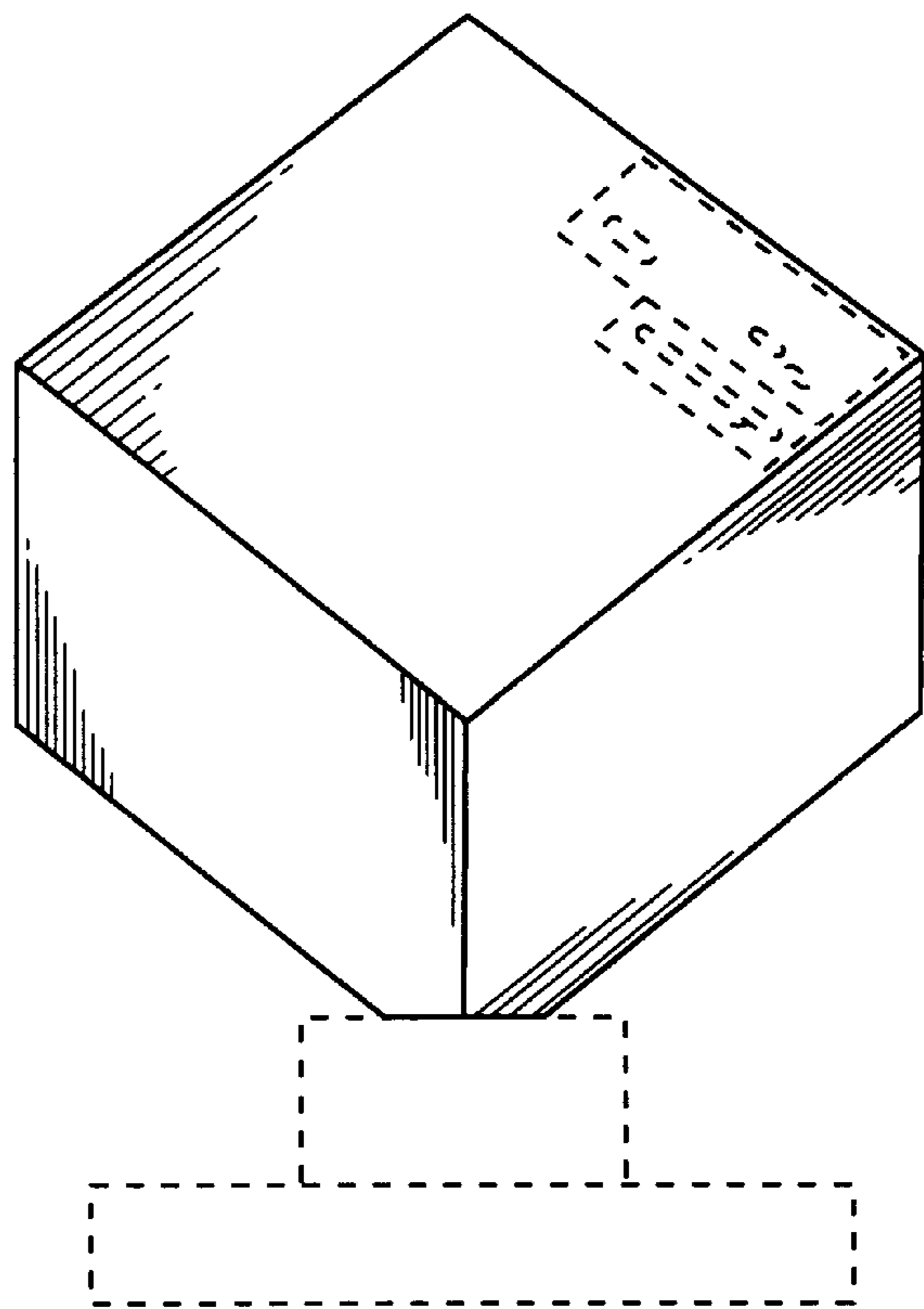


FIG. 2

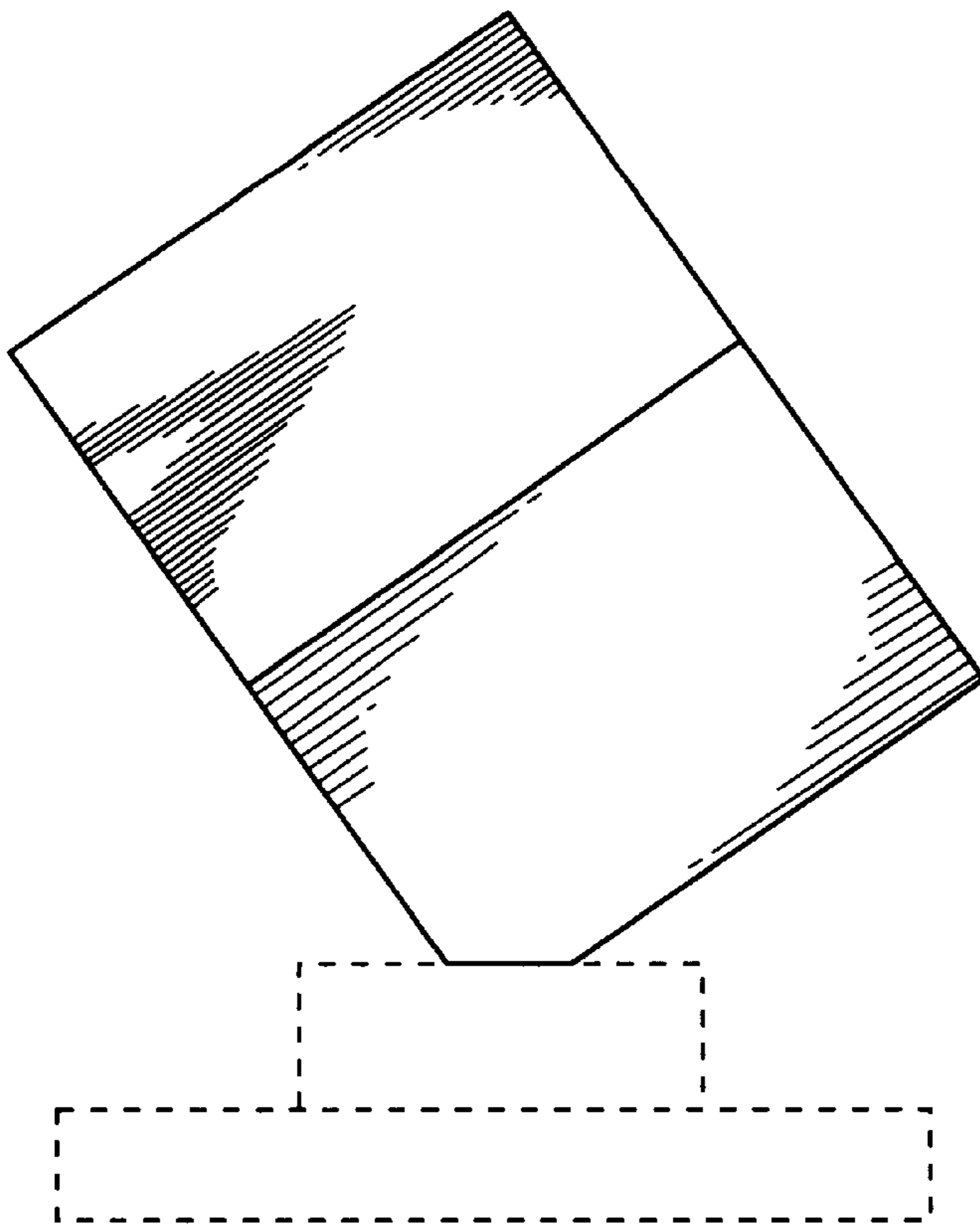


FIG. 3

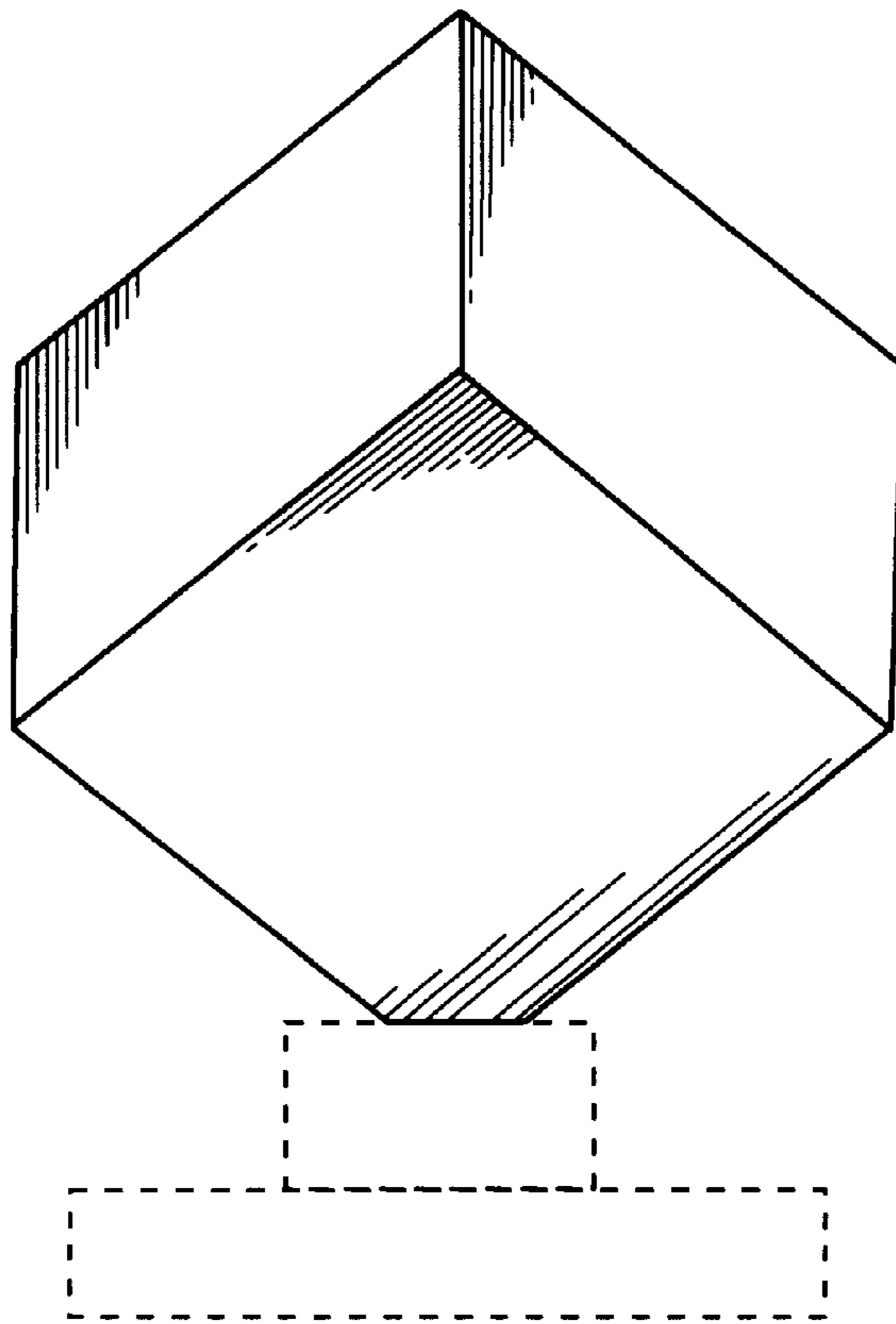


FIG. 4

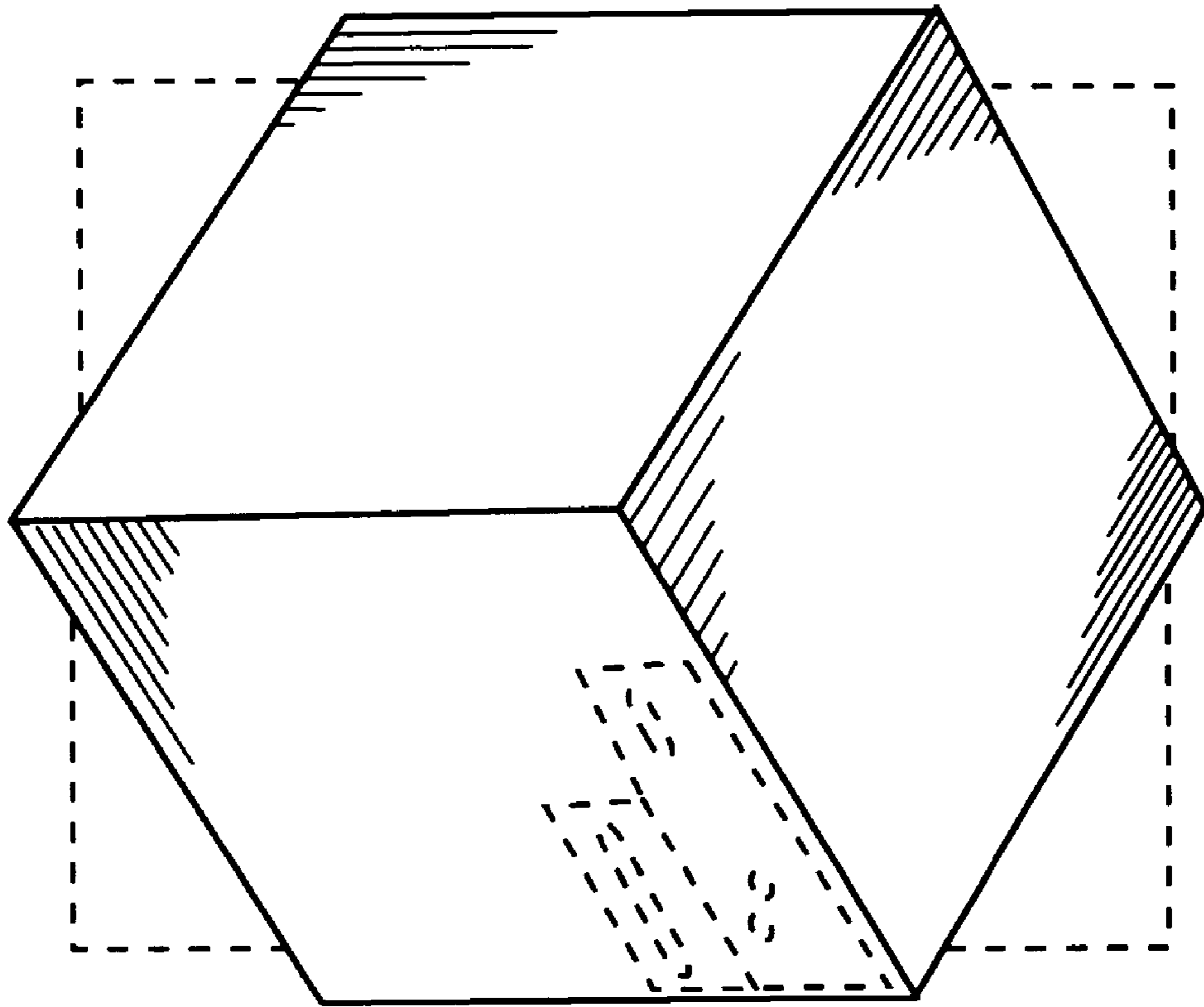


FIG. 5