



US00D430563S

**United States Patent** [19]  
**Chen**

[11] **Patent Number: Des. 430,563**

[45] **Date of Patent: \*\* Sep. 5, 2000**

[54] **MAIN FRAME COMPUTER**

D. 369,923 5/1996 Crane, Jr. et al. .... D14/302 X

[76] Inventor: **Feng-Ming Chen**, No. 4, Lane 243,  
Jen-Ai Road, Yung Ho City, Taipei  
Hsien, Taiwan

*Primary Examiner*—Freda Nunn  
*Attorney, Agent, or Firm*—Rosenberg, Klein & Lee

[\*\*] Term: **14 Years**

[57] **CLAIM**

[21] Appl. No.: **29/113,723**

The ornamental design for a main frame computer, as shown and described.

[22] Filed: **Nov. 12, 1999**

**DESCRIPTION**

[30] **Foreign Application Priority Data**

Oct. 29, 1999 [TW] Taiwan ..... 088307107

FIG. 1 is the perspective view of a mainframe computer showing my new design;

[51] **LOC (7) Cl.** ..... **14-02**

FIG. 2 is the front view thereof;

[52] **U.S. Cl.** ..... **D14/301; D14/352**

FIG. 3 is the rear view thereof;

[58] **Field of Search** ..... D14/349, 302,  
D14/351, 352, 354; D6/432, 436, 445,  
448; 312/223.2, 265.6; 361/683

FIG. 4 is the left side view thereof;

FIG. 5 is the right side view thereof;

FIG. 6 is the top view thereof; and,

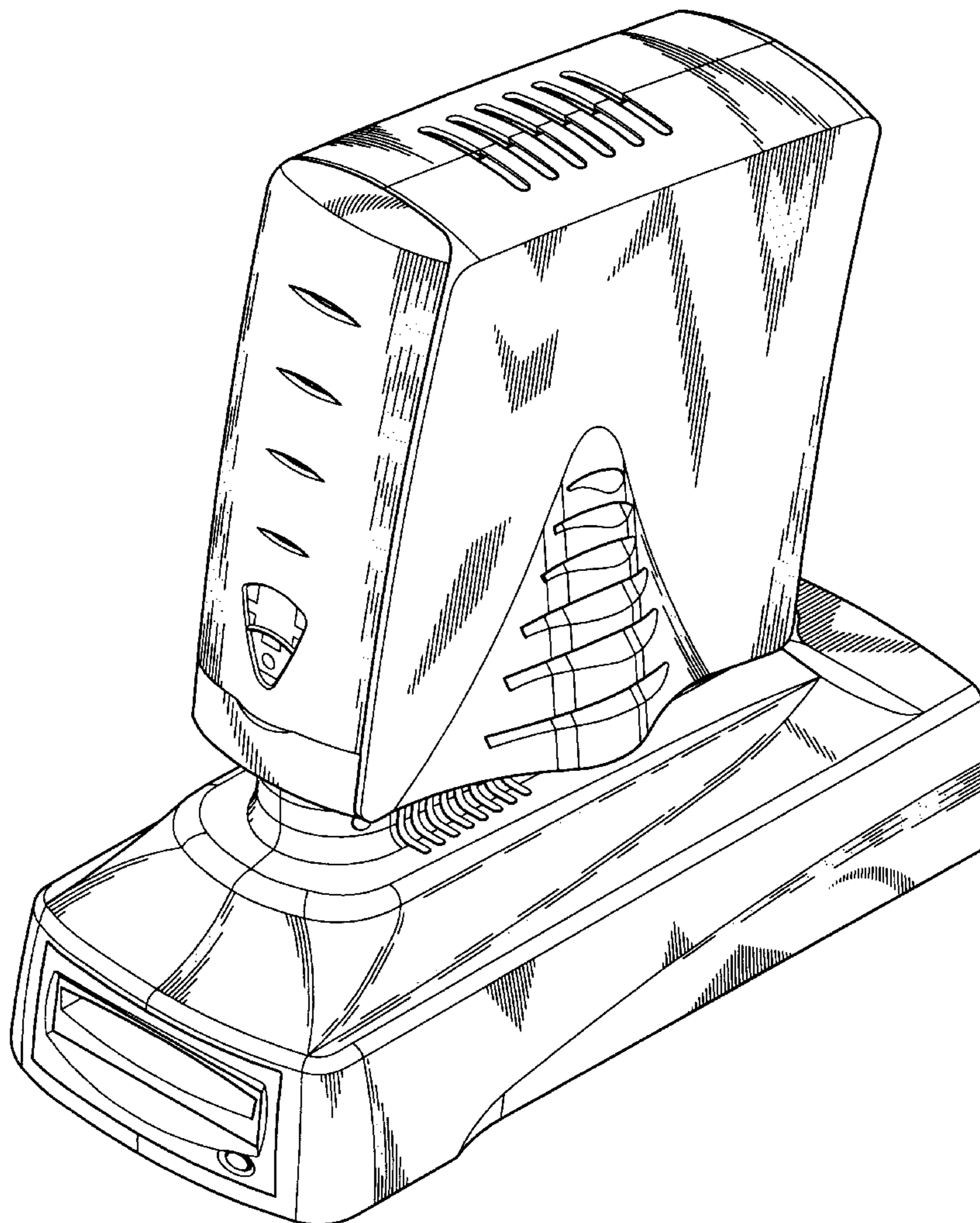
FIG. 7 is the bottom view thereof.

[56] **References Cited**

**U.S. PATENT DOCUMENTS**

D. 363,707 10/1995 Crane, Jr. et al. .... D14/352

**1 Claim, 5 Drawing Sheets**



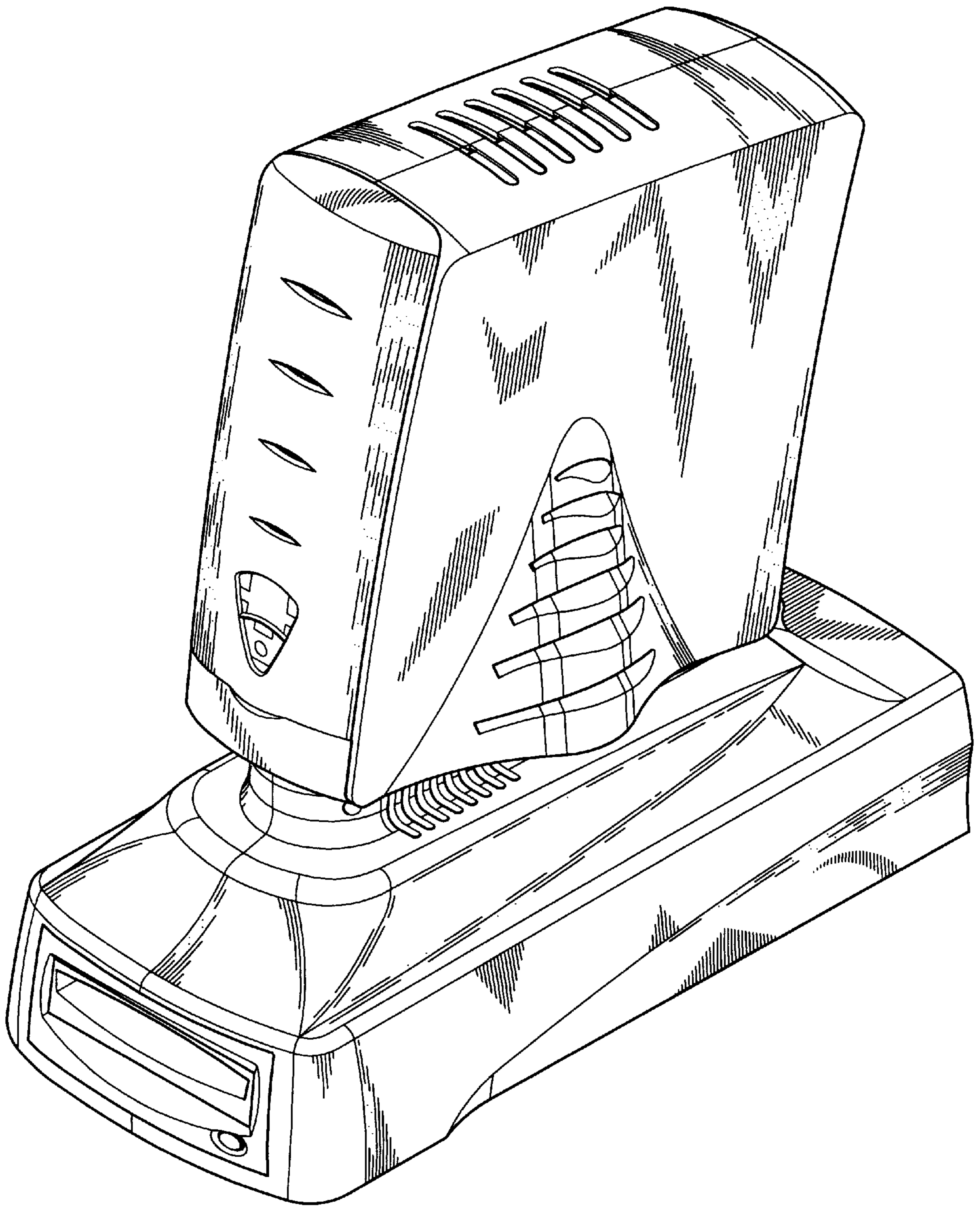


FIG. 1

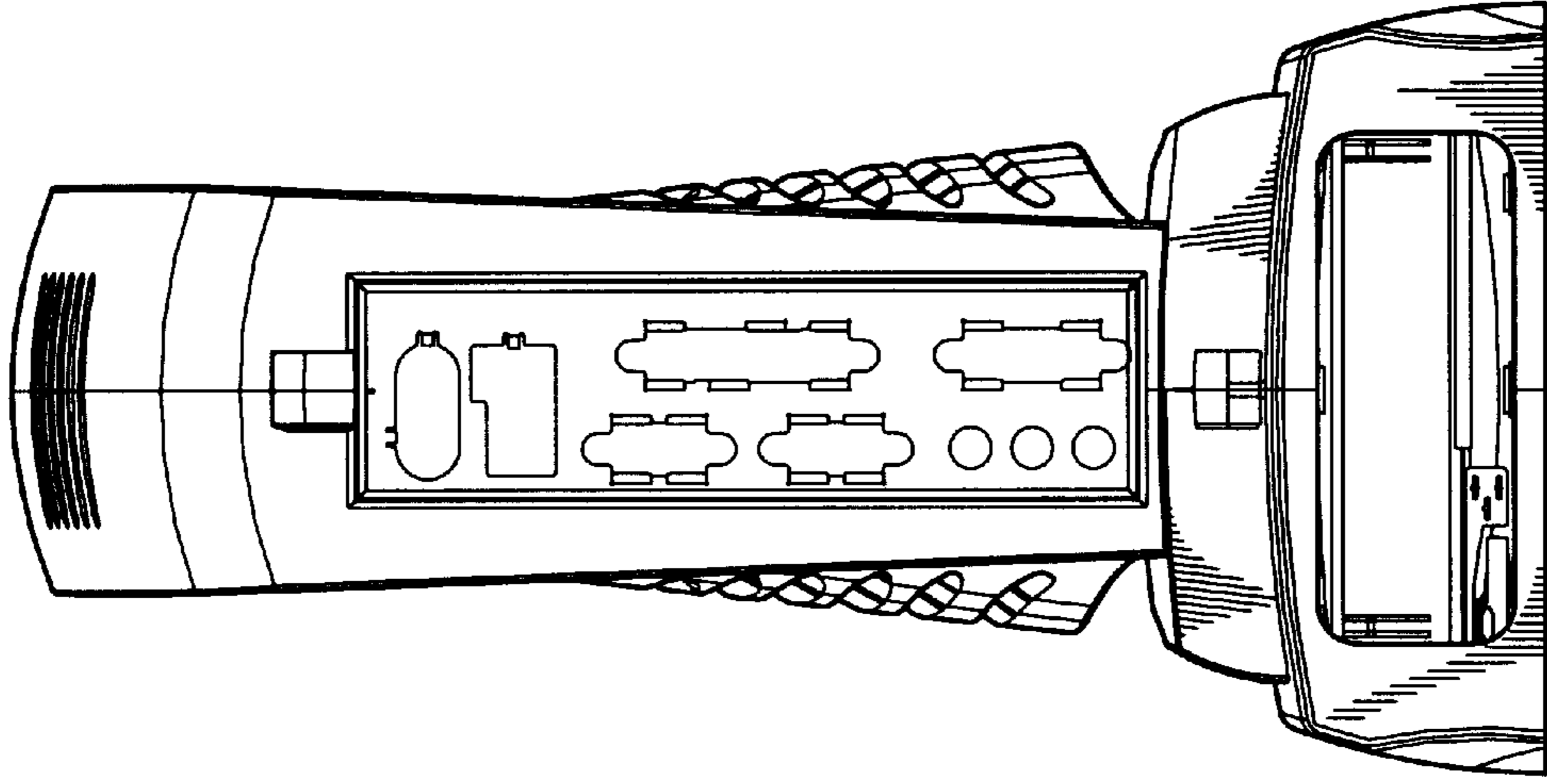


FIG. 3

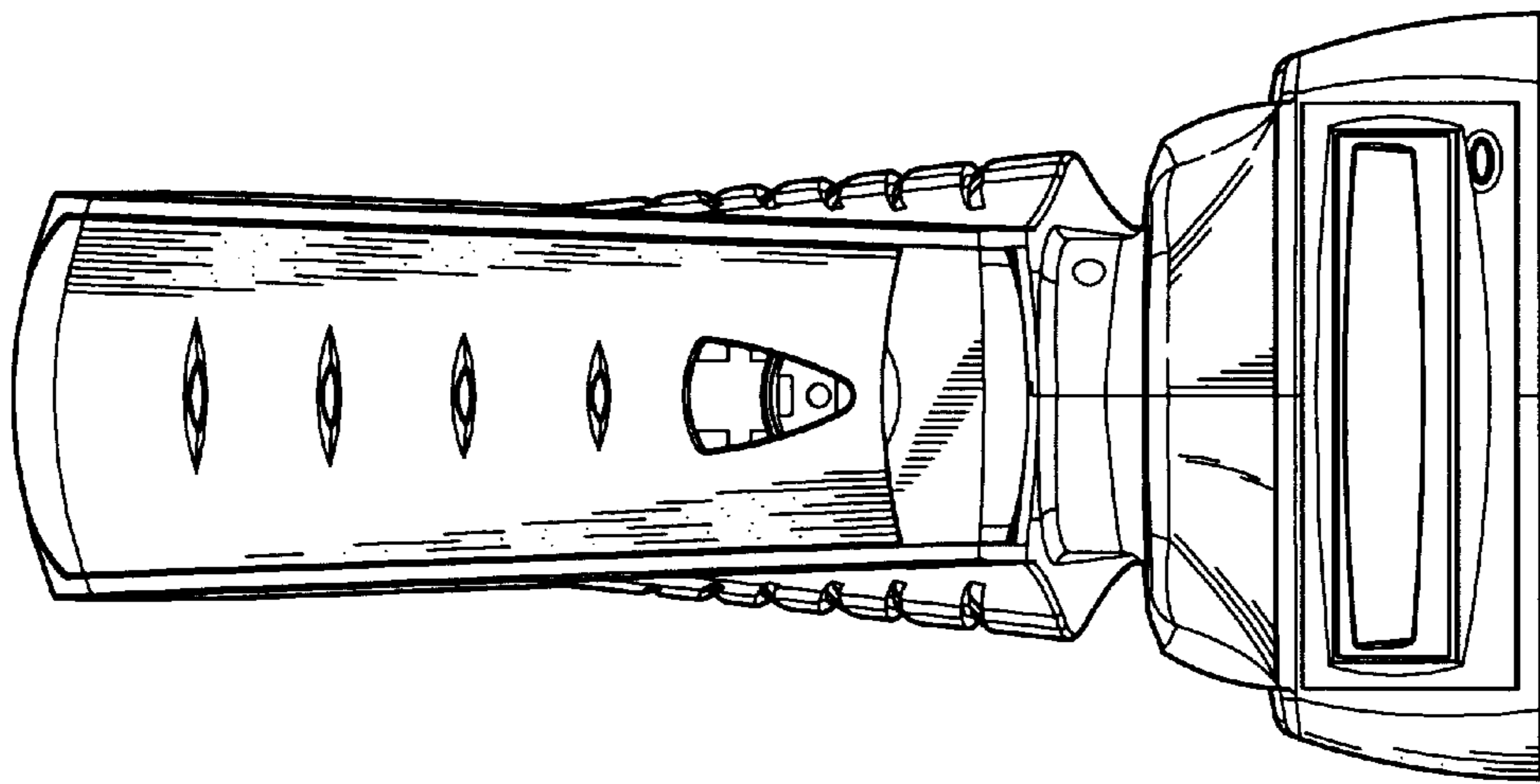


FIG. 2

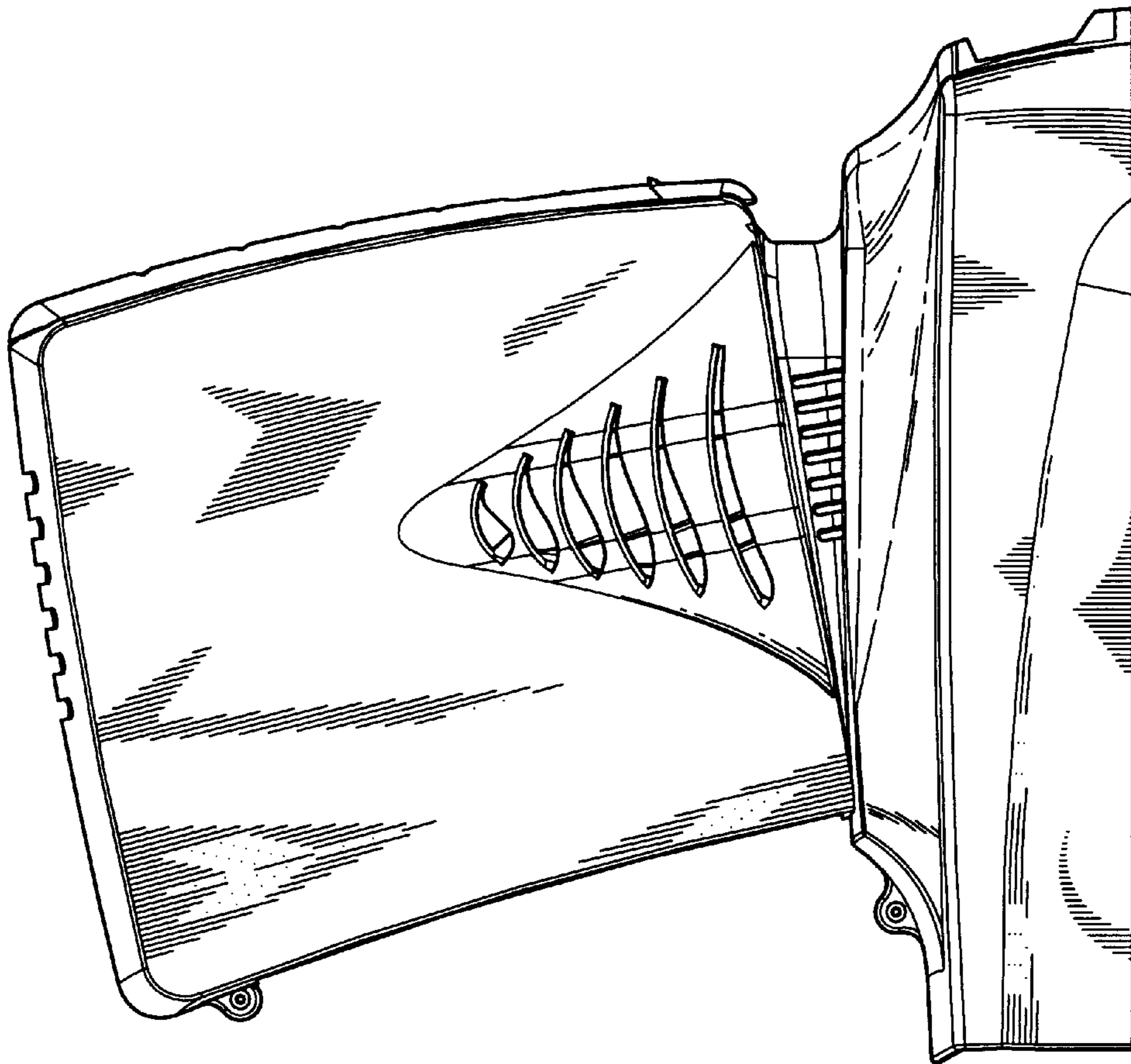


FIG. 4



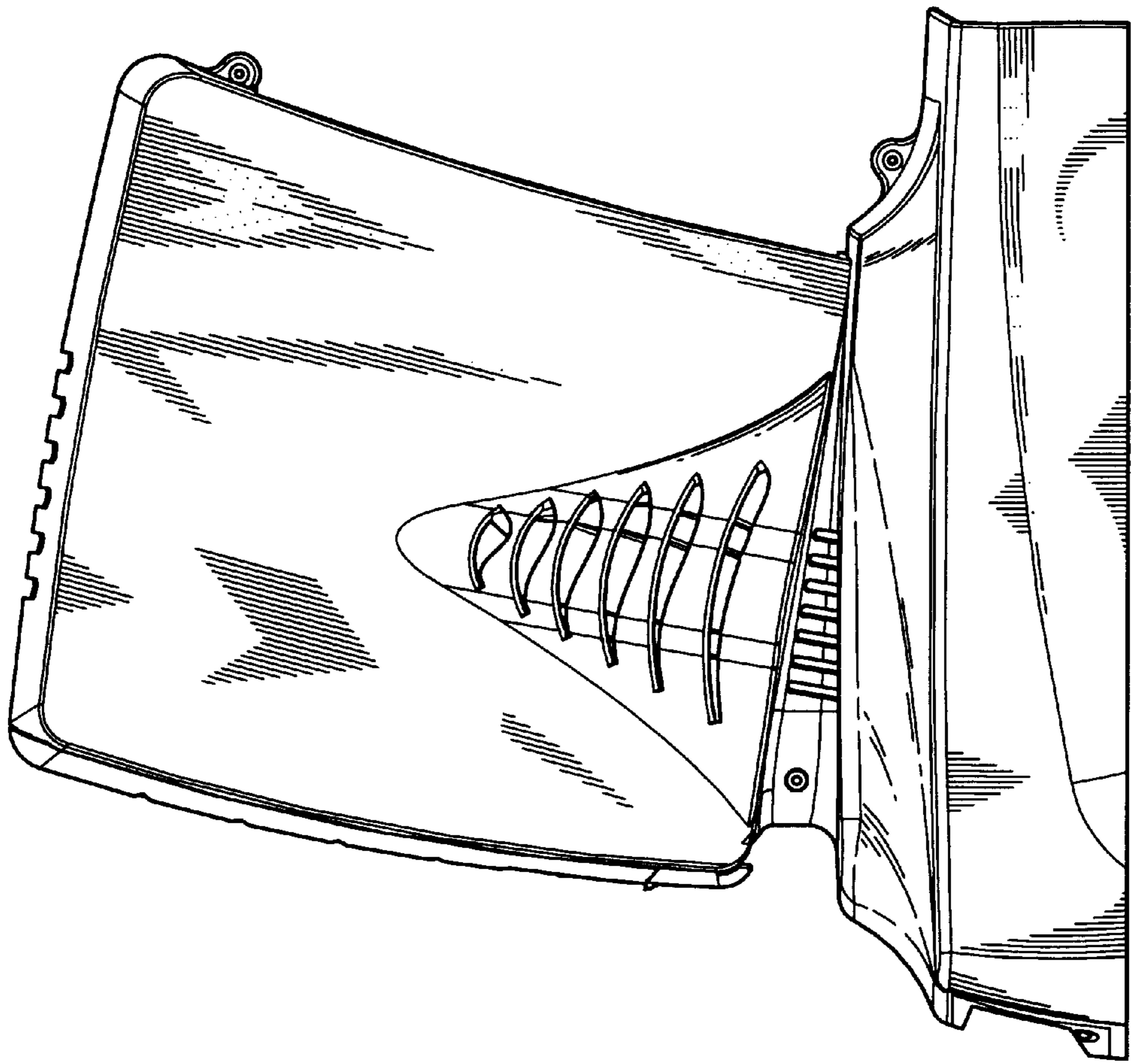


FIG. 5

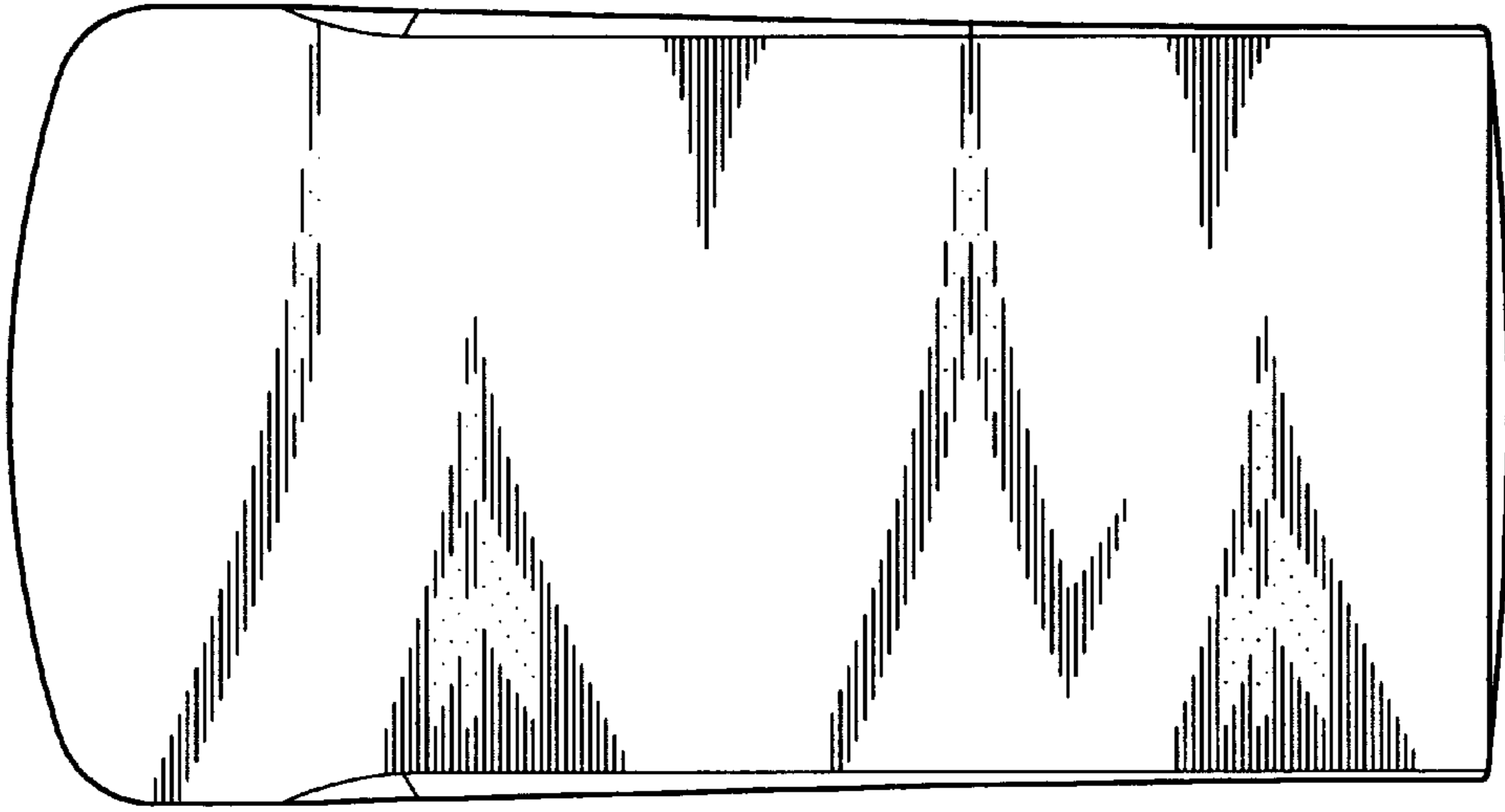


FIG. 7

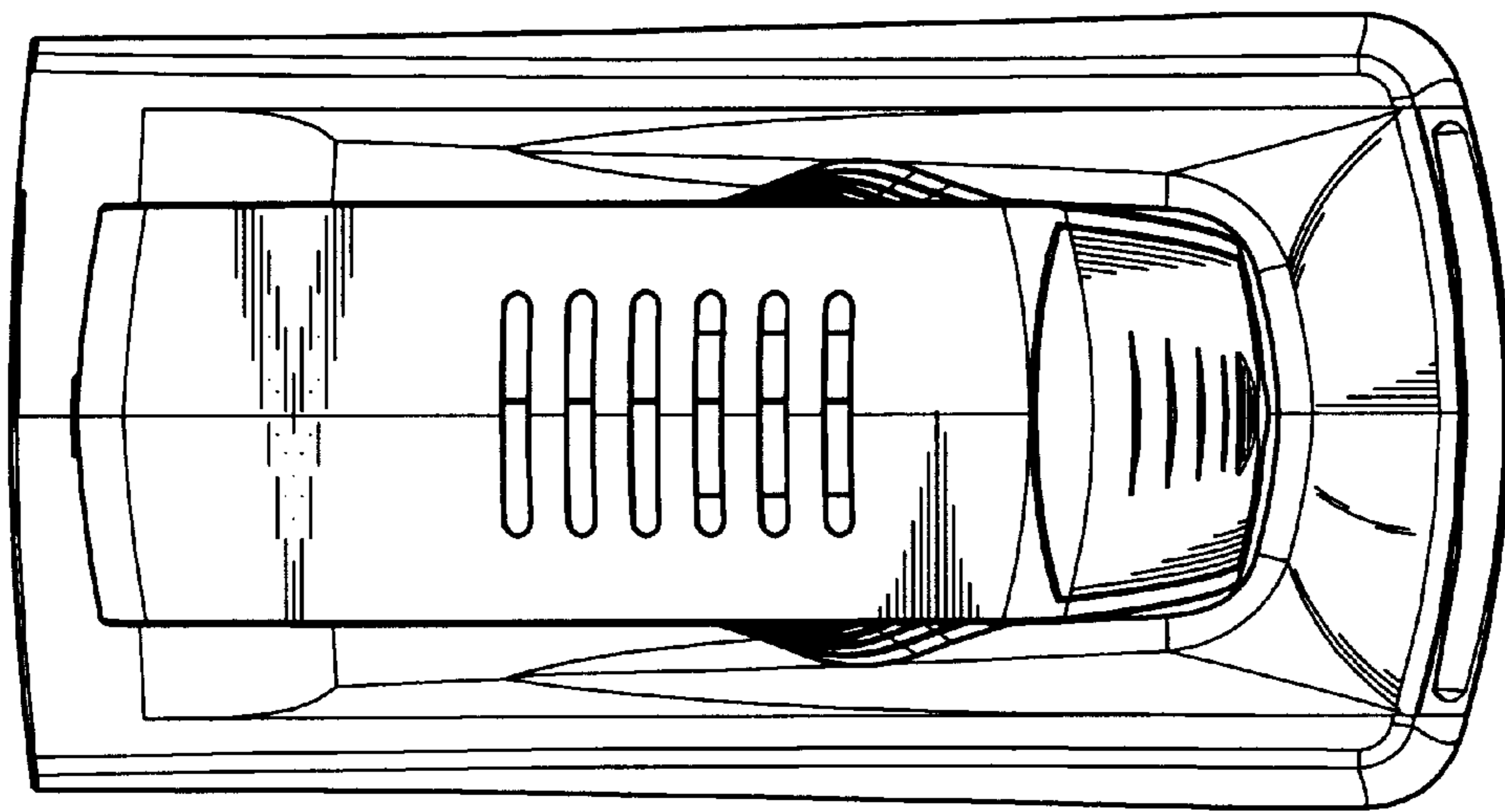


FIG. 6