



US00D430558S

# United States Patent [19] Shindo

[11] Patent Number: Des. 430,558

[45] Date of Patent: \*\* Sep. 5, 2000

[54] DIAL FOR A WIRELESS TELEPHONE

[75] Inventor: Koji Shindo, Tokyo, Japan

[73] Assignee: Sony Corporation, Japan

[\*\*] Term: 14 Years

[21] Appl. No.: 29/091,523

[22] Filed: Jul. 31, 1998

[51] LOC (7) Cl. .... 14-03

[52] U.S. Cl. .... D14/247; D13/174; D14/248;  
D14/257

[58] Field of Search ..... D14/137, 217,  
D14/138, 257, 147-148, 247-248, 250,  
240, 140-142; 400/479; 379/433, 434,  
368, 419, 420, 428, 440; 200/336, 571,  
11 TW; 455/550-575, 90; D13/170, 174,  
175; D18/1, 12, 7, 2; 190/18 A; 16/22,  
27, 18 R, 45; D34/23, 29, 24; D8/378,  
341; D16/408, 409; D7/697; D21/475, 476

[56] References Cited

### U.S. PATENT DOCUMENTS

D. 224,407	7/1972	Katz	.....	D14/257
D. 273,270	4/1984	Stolarz	.....	D8/341
D. 275,502	9/1984	Nakao et al.	.....	D21/475
D. 278,070	3/1985	Tapdrup	.....	D21/475
D. 281,516	11/1985	Wong	.....	D21/476
D. 312,782	12/1990	Arai et al.	.....	D16/208
D. 318,677	7/1991	Horikiri	.....	D16/209
D. 335,900	5/1993	Oshimi	.....	D21/475

D. 351,139	10/1994	Ko	.....	D13/170 X
D. 374,816	10/1996	Tsai	.....	D8/375
D. 381,348	7/1997	Tanaka	.....	D16/208
D. 402,270	12/1998	Garrity, Sr. et al.	.....	D13/174
2,421,881	6/1947	Heasty	.....	200/571
4,527,917	7/1985	Ueno	.....	400/479 X
4,581,499	4/1986	Cousins	.....	200/11 TW X
5,231,892	8/1993	Haight	.....	200/11 TW X
5,570,764	11/1996	Levin	.....	190/18 A

### FOREIGN PATENT DOCUMENTS

942460 12/1995 Japan ..... D14/130 X

### OTHER PUBLICATIONS

Sony catalog (Spring/Summer '97), "Sony in side," No. 6, pp. 170, 172, Dec., 1996.

Primary Examiner—Jeffrey Asch

Attorney, Agent, or Firm—Rader, Fishman & Grauer

[57] CLAIM

The ornamental design for a dial for a wireless telephone, as shown and described.

### DESCRIPTION

FIG. 1 is a perspective view of a dial for a wireless telephone showing my new design the opposite perspective being a mirror image thereof; and,

FIG. 2 is a front elevational view thereof.

The portions in broken lines are for illustrative purposes only and form no part of claimed design.

1 Claim, 2 Drawing Sheets

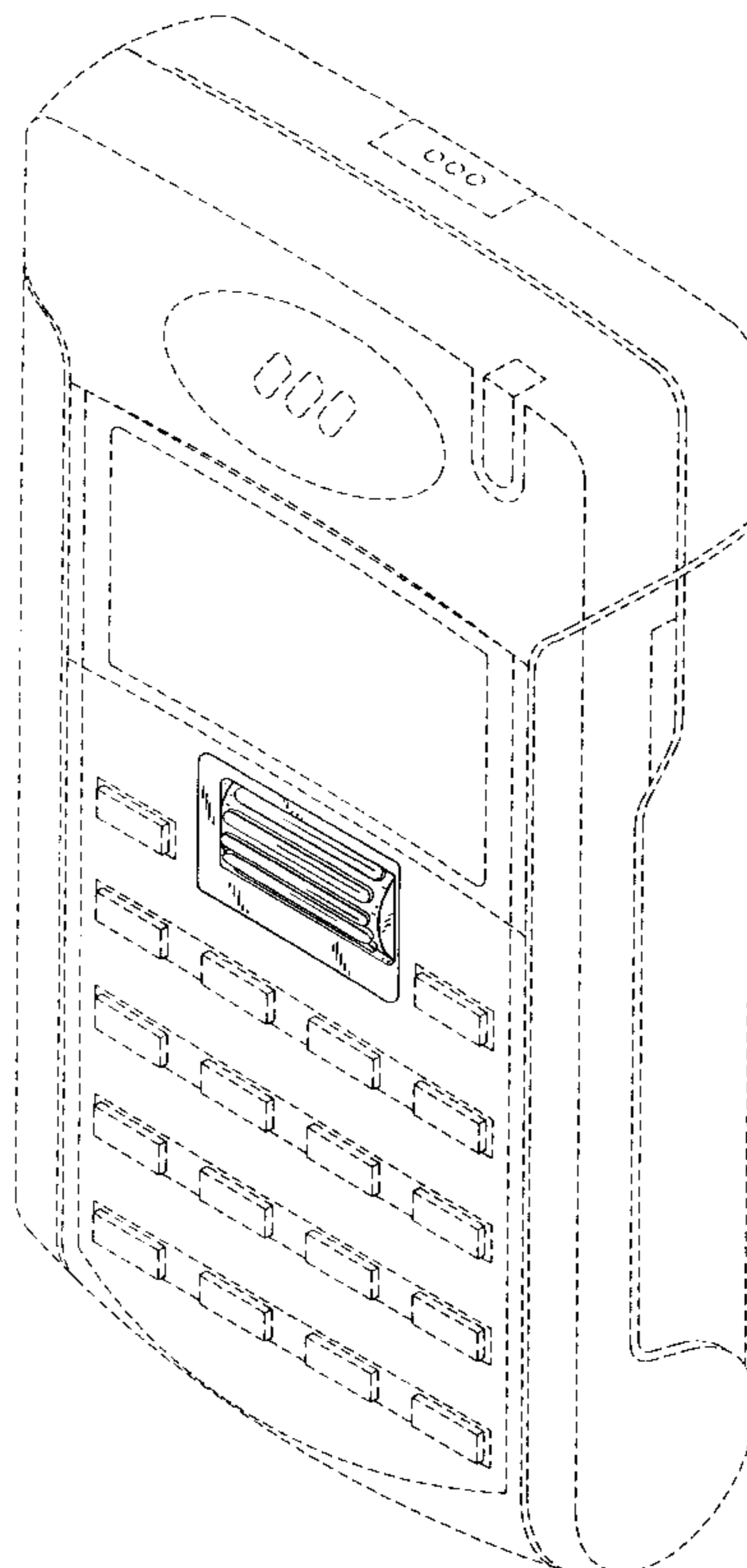


FIG. 1

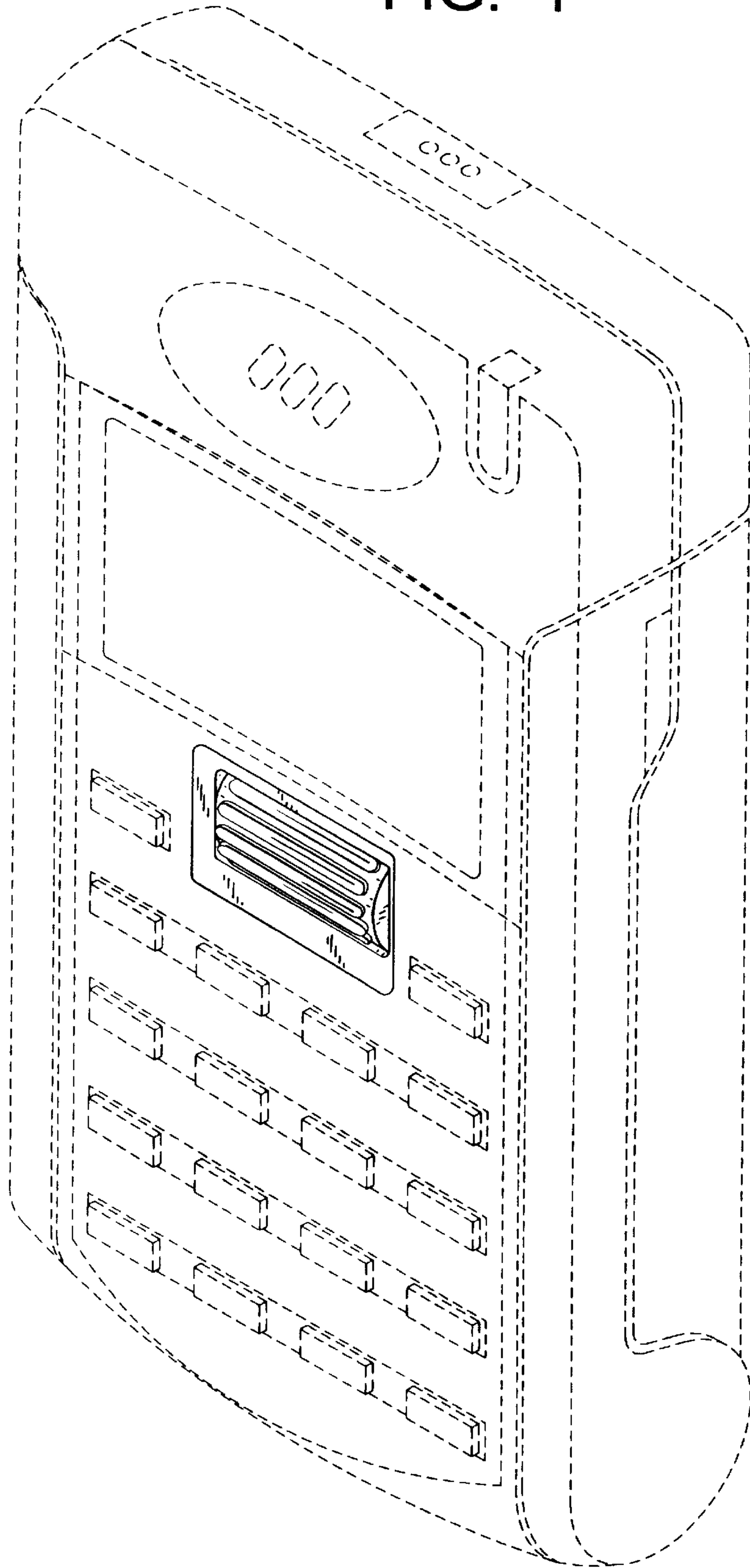


FIG. 2

