

US00D430557S

United States Patent [19]
Kaufmann

[11] **Patent Number: Des. 430,557**

[45] **Date of Patent: ** Sep. 5, 2000**

[54] **COVER FOR A RADIO ANTENNA**

[76] Inventor: **Michael A. Kaufmann**, 1542 Kane St.,
LaCrosse, Wis. 54603

[**] Term: **14 Years**

[21] Appl. No.: **29/114,355**

[22] Filed: **Nov. 22, 1999**

[51] **LOC (7) Cl. 14-03**

[52] **U.S. Cl. D14/232; D11/181; D11/172;
D11/157**

[58] **Field of Search D14/230, 232;
D11/157, 160, 172, 181; 478/542.4; 343/720,
721, 885; 40/491-493; 116/28.2, 259; D21/658-661;
D12/162**

[56] **References Cited**

U.S. PATENT DOCUMENTS

D. 216,988	3/1970	Hernandez et al.	D11/157
D. 275,967	10/1984	Morano, Jr.	D11/157
D. 321,845	11/1991	Nys	D11/157
D. 350,710	9/1994	Keiffer	D11/157
D. 353,819	12/1994	Klarich	D14/230
D. 420,670	2/2000	Hernandez et al.	D14/232

Primary Examiner—Louis S. Zarfes
Assistant Examiner—G. Andoll
Attorney, Agent, or Firm—M. Paul Hendrickson

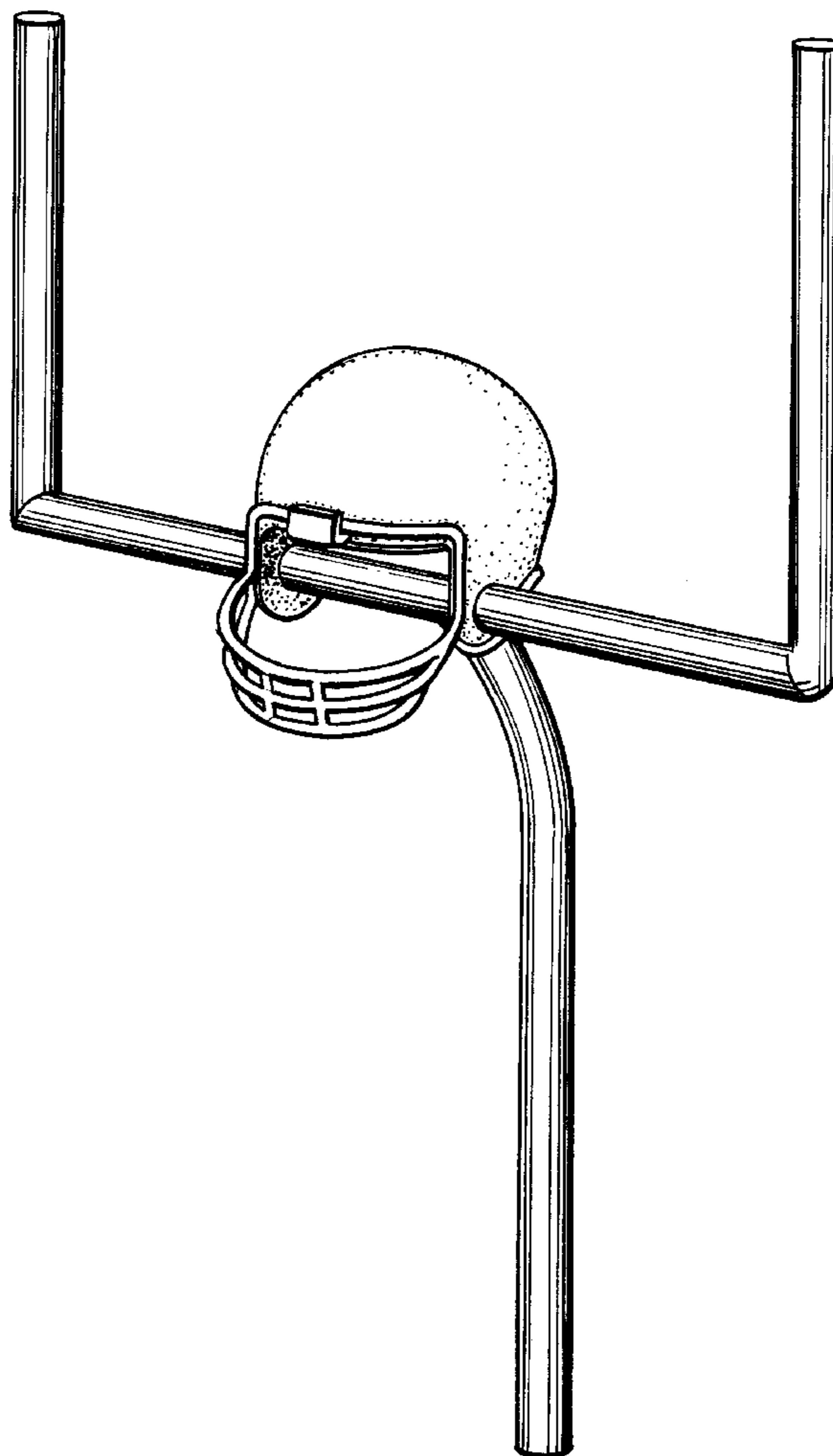
[57] **CLAIM**

The ornamental design for a cover for a radio antenna, as shown.

DESCRIPTION

FIG. 1 is a frontal view showing the front of the cover for a radio antenna embodying my new design;
FIG. 2 is a side view showing the right side of the cover for a radio antenna;
FIG. 3 is a left side view showing the left side of the cover for a radio antenna;
FIG. 4 is a rear view showing the back of the cover for a radio antenna;
FIG. 5 is a top view showing the top of the cover for a radio antenna; and,
FIG. 6 is an elevational frontal view as viewed from the left side of the cover for a radio antenna.
The surfaces of the article not shown in the drawing or described in the specification form no part of the claimed design.

1 Claim, 3 Drawing Sheets



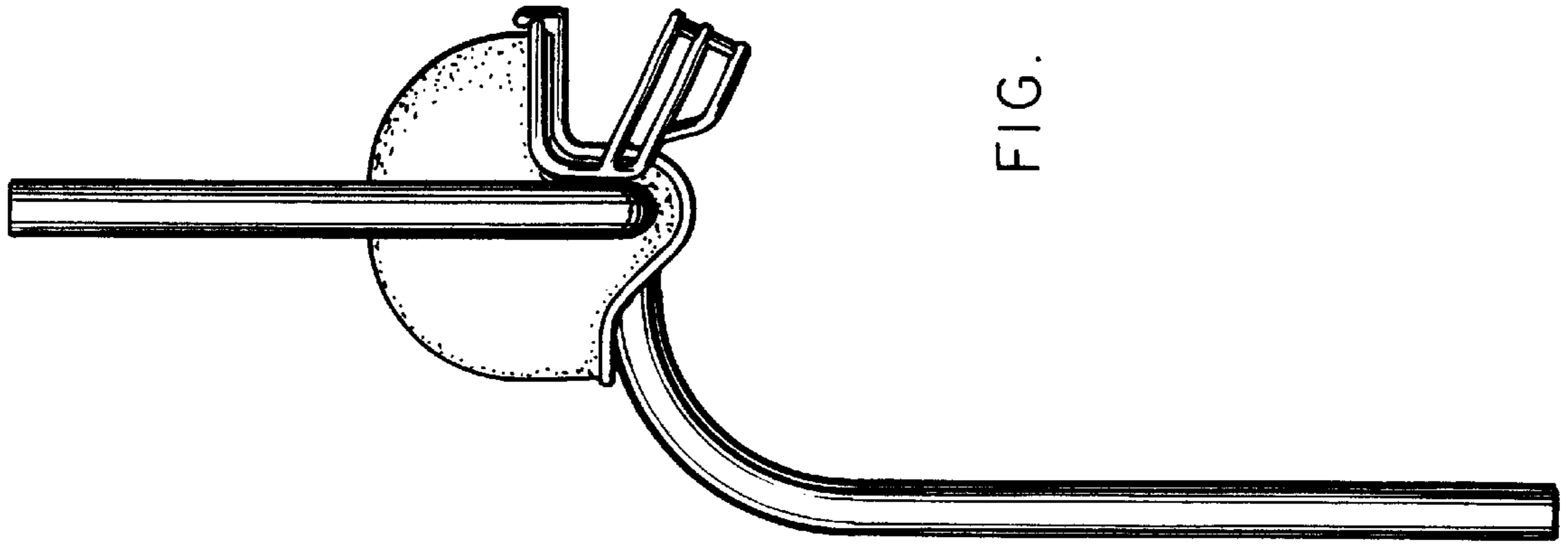


FIG. 3

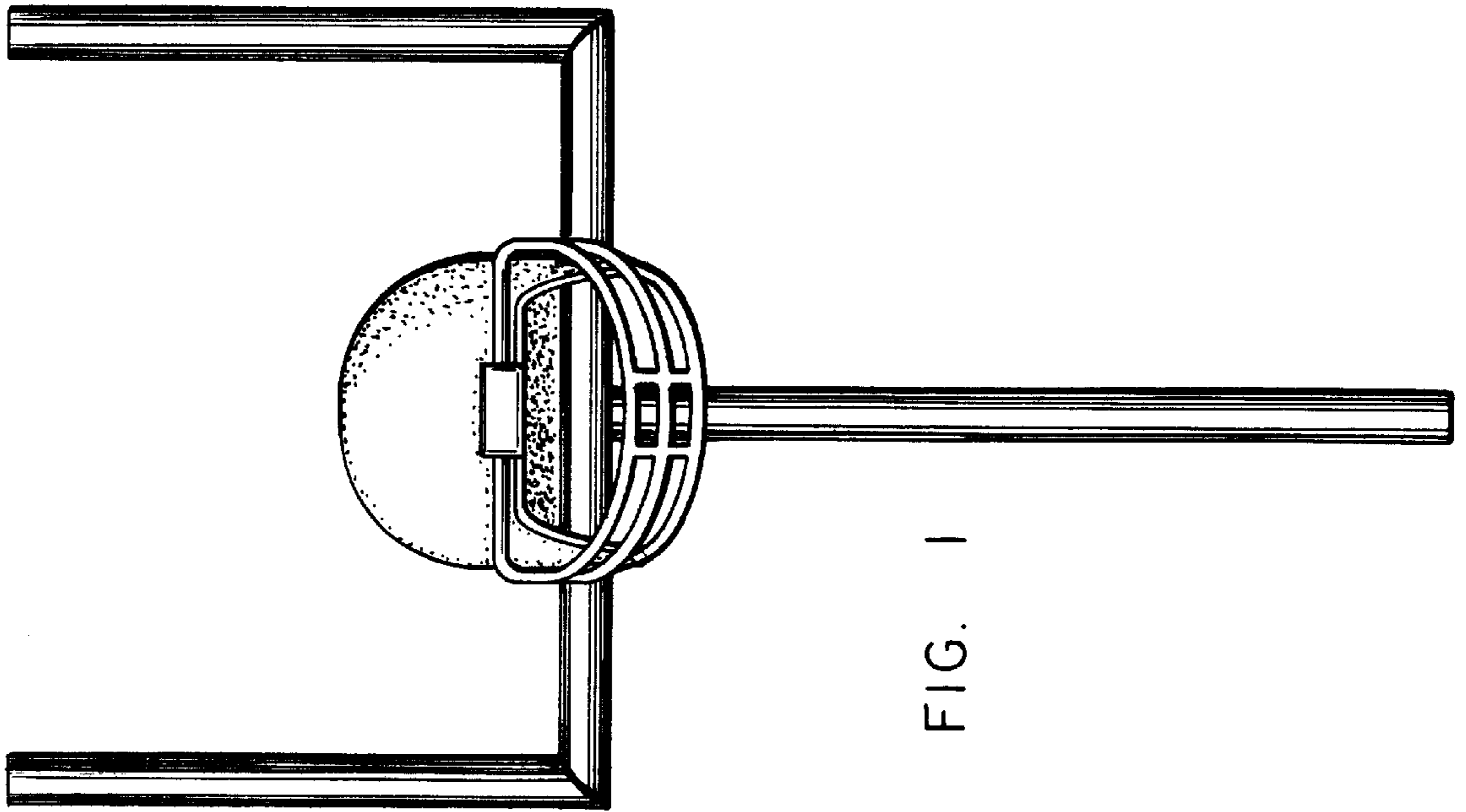


FIG. 1

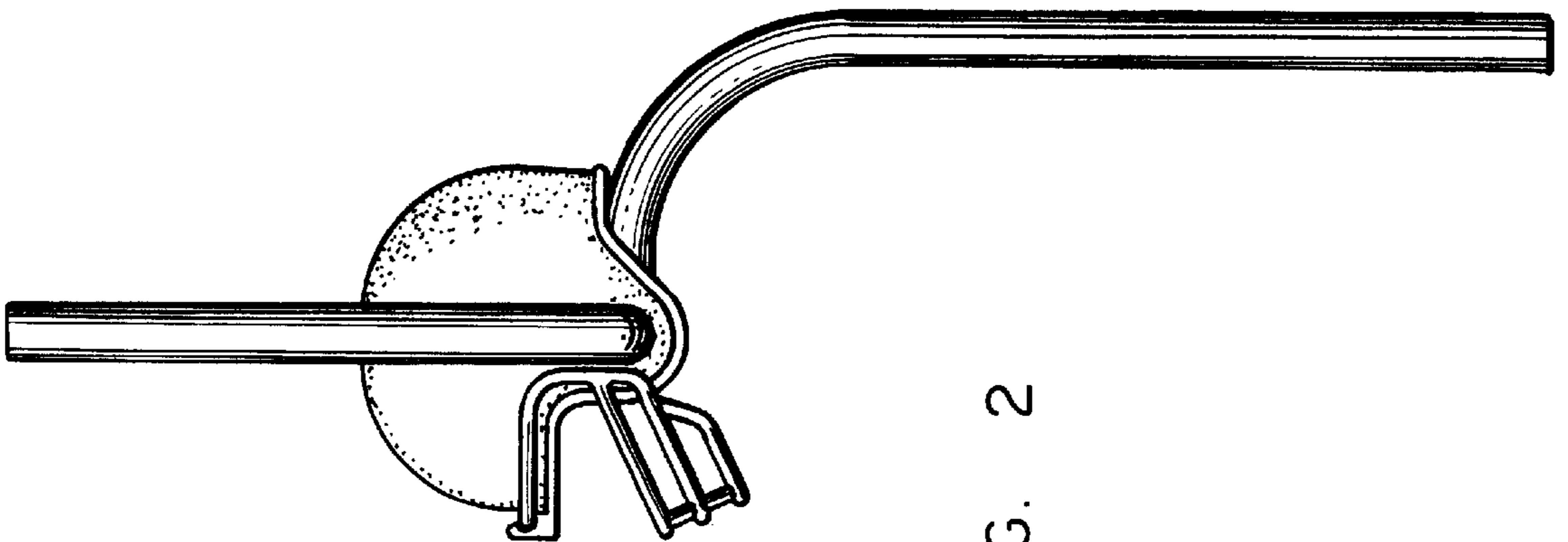


FIG. 2

FIG. 5

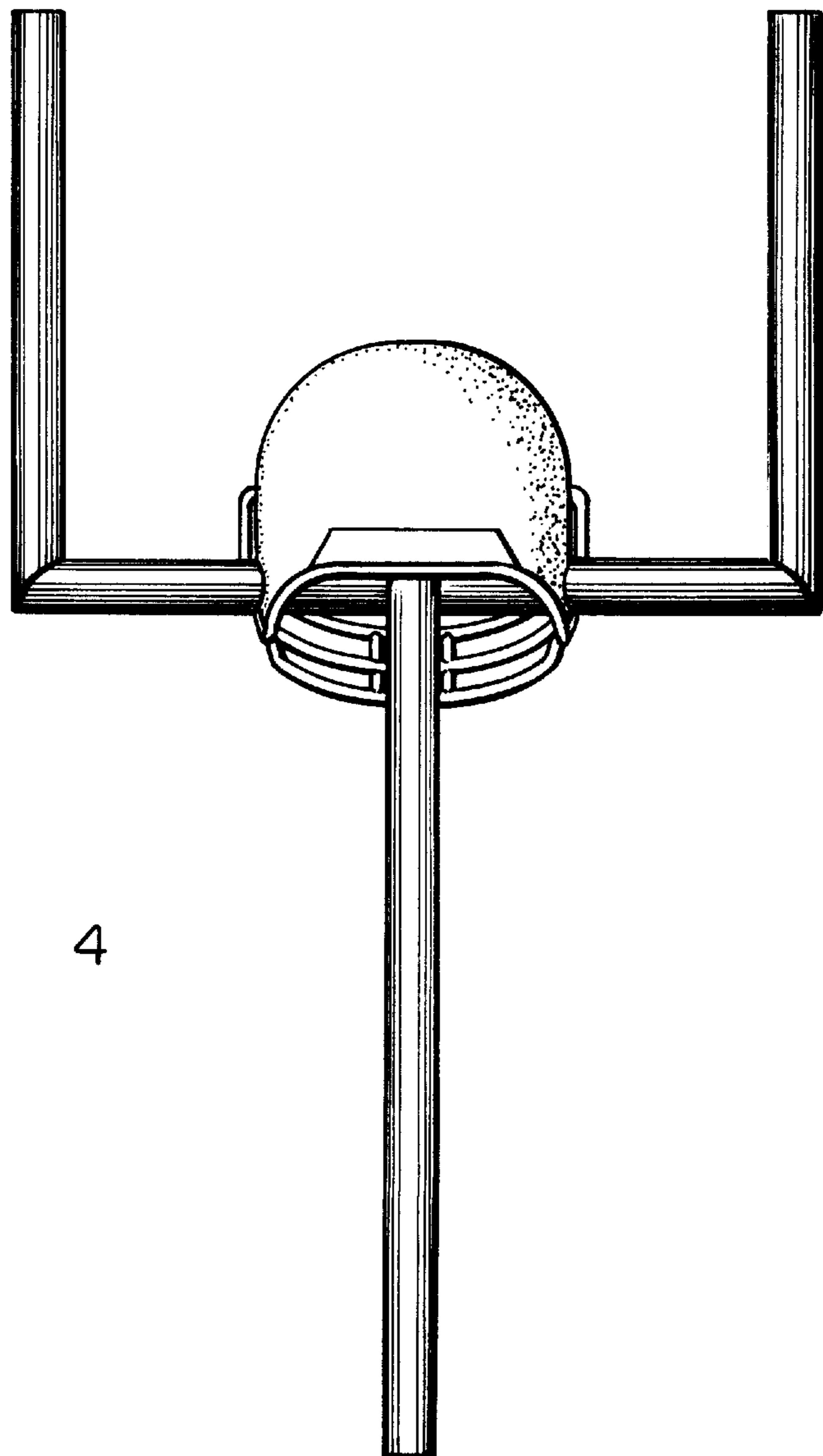
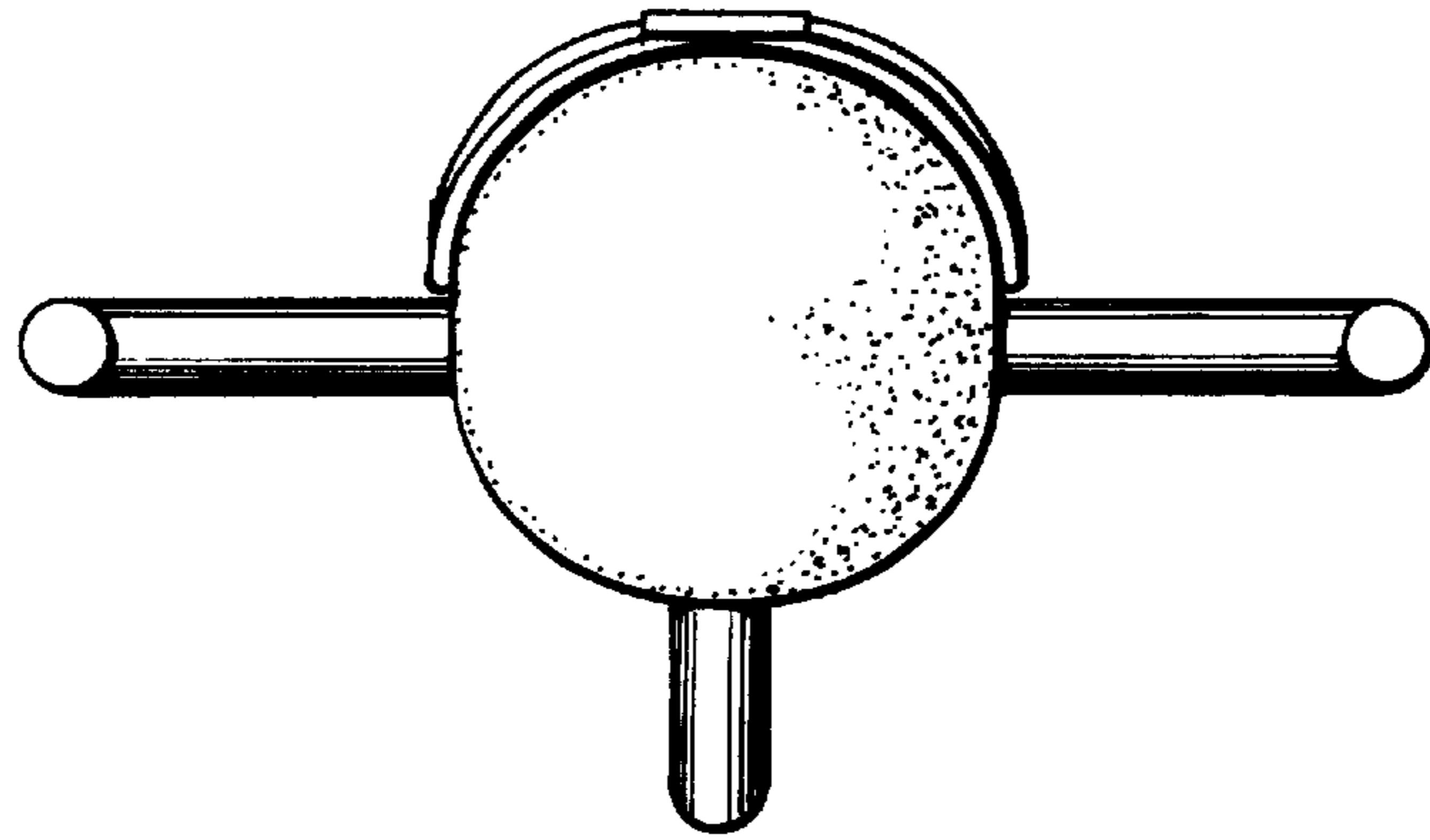


FIG. 4

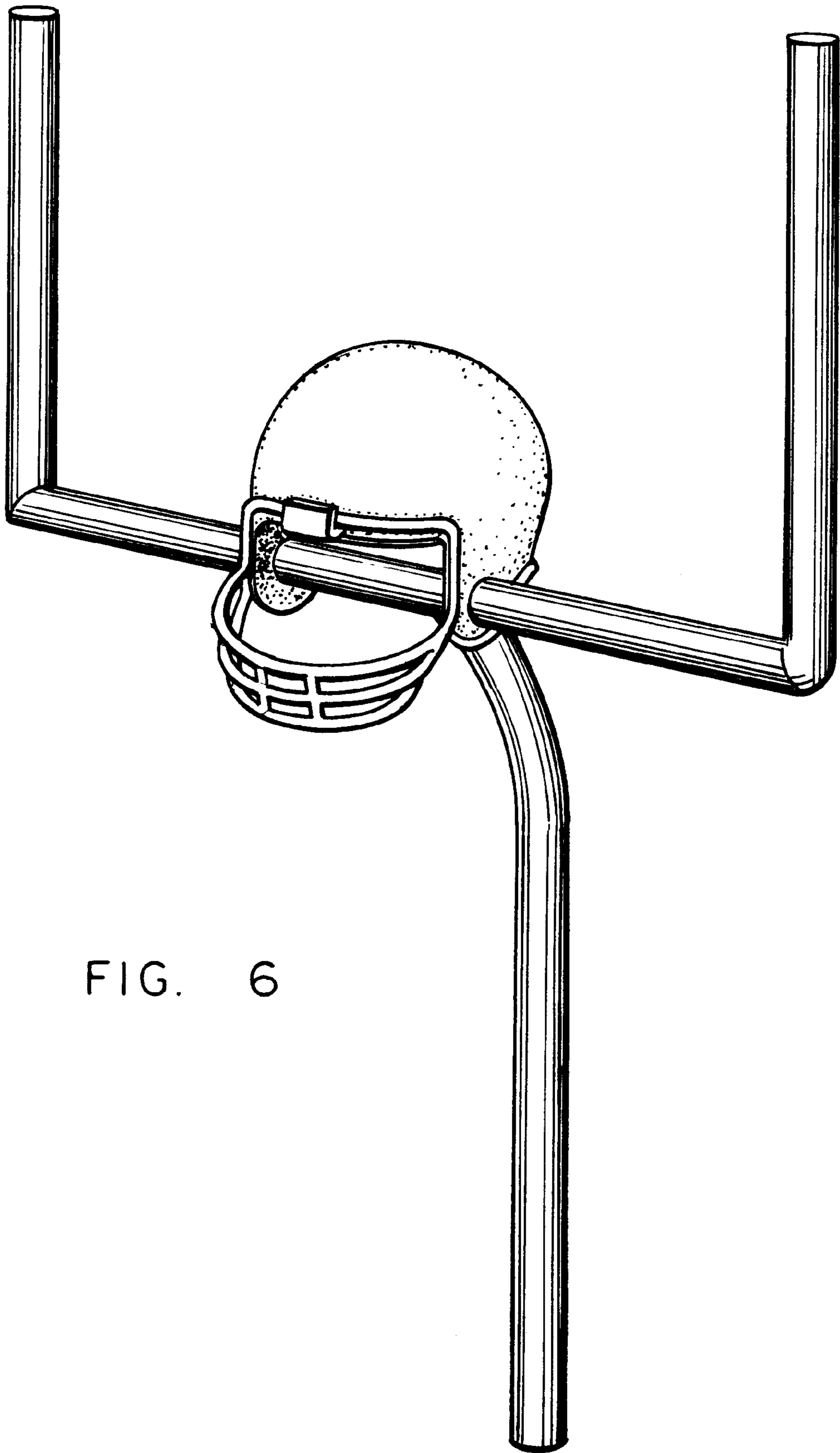


FIG. 6