



US00D430555S

United States Patent [19]

Adelaar

[11] **Patent Number: Des. 430,555**

[45] **Date of Patent: ** Sep. 5, 2000**

[54] **CAR AUDIO SET COVERING**

[76] Inventor: **Anthonius Jacobus Adelaar**, Panoven
48, 3401 R.B., Ijsselstein(U),
Netherlands

[**] Term: **14 Years**

[21] Appl. No.: **29/098,672**

[22] Filed: **Jan. 4, 1999**

D. 366,048	1/1996	Tokiyama et al.	D14/258
4,031,772	6/1977	DeCatri	D12/187 X
4,562,595	12/1985	Bauer et al.	D14/258 X
5,004,634	4/1991	Anthony	D14/258 X

Primary Examiner—Nanda Bondade
Attorney, Agent, or Firm—Lahive & Cockfield, LLP

Related U.S. Application Data

[62] Division of application No. 29/064,088, Dec. 11, 1996.

[51] **LOC (7) Cl.** **14-99**

[52] **U.S. Cl.** **D14/217; D14/258**

[58] **Field of Search** D14/136, 156-157,
D14/217, 257, 258, 265, 299; D12/187,
400; 312/7.1; 369/75.1, 75.2, 77.1, 77.2;
455/344-349

References Cited

U.S. PATENT DOCUMENTS

D. 268,665 4/1983 Sharp D12/187

DESCRIPTION

[57] **CLAIM**

The ornamental design for a car audio set covering, as shown and described.

DESCRIPTION

FIG. 1 is a front, left-side perspective view of a car audio set covering showing my new design;

FIG. 2 is a rear, left-side perspective view thereof;

FIG. 3 is a front elevational view thereof;

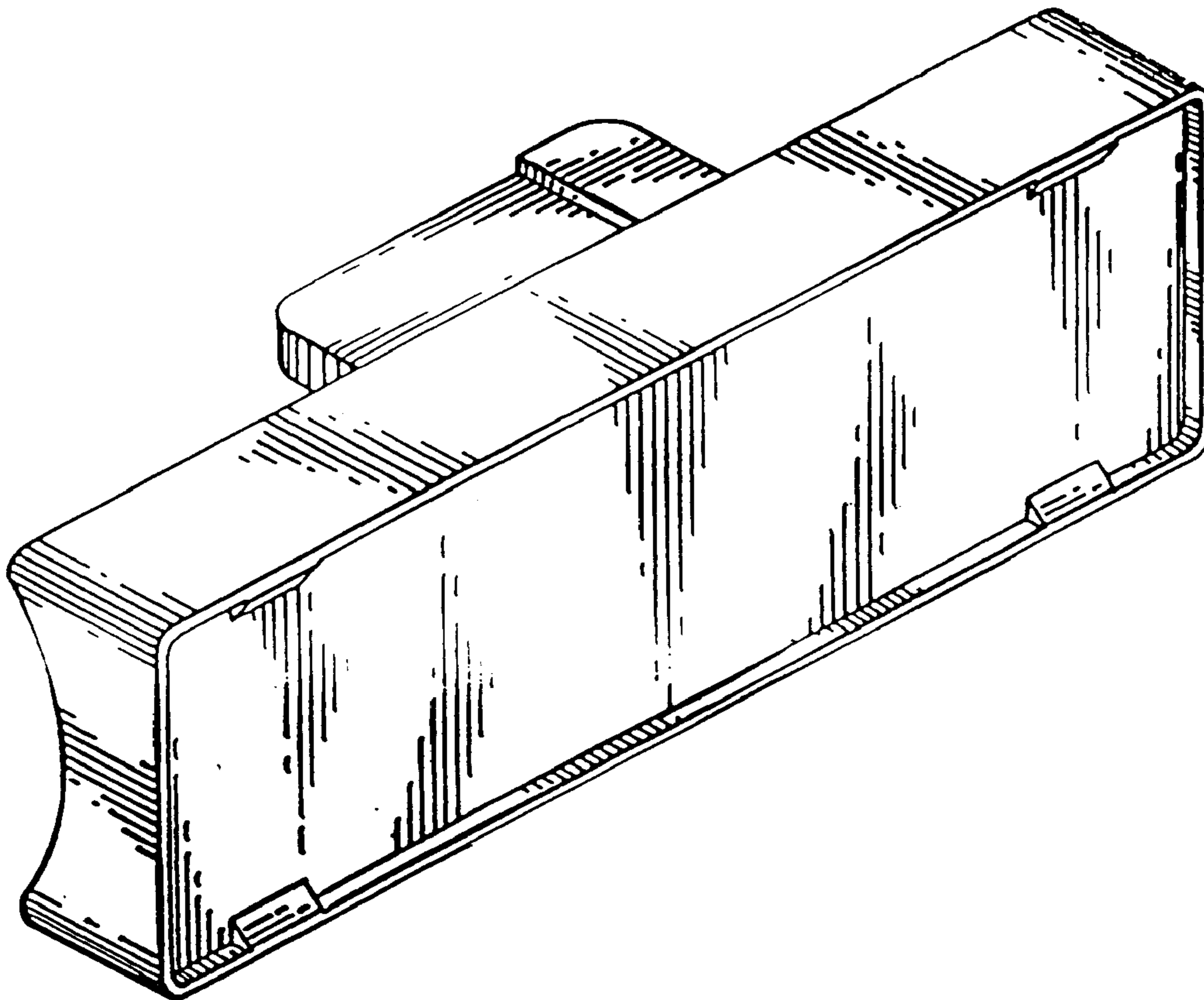
FIG. 4 is a rear elevational view thereof;

FIG. 5 is a top plan view thereof;

FIG. 6 is a left-side elevational view thereof; and,

FIG. 7 is a right side elevational view thereof.

1 Claim, 3 Drawing Sheets



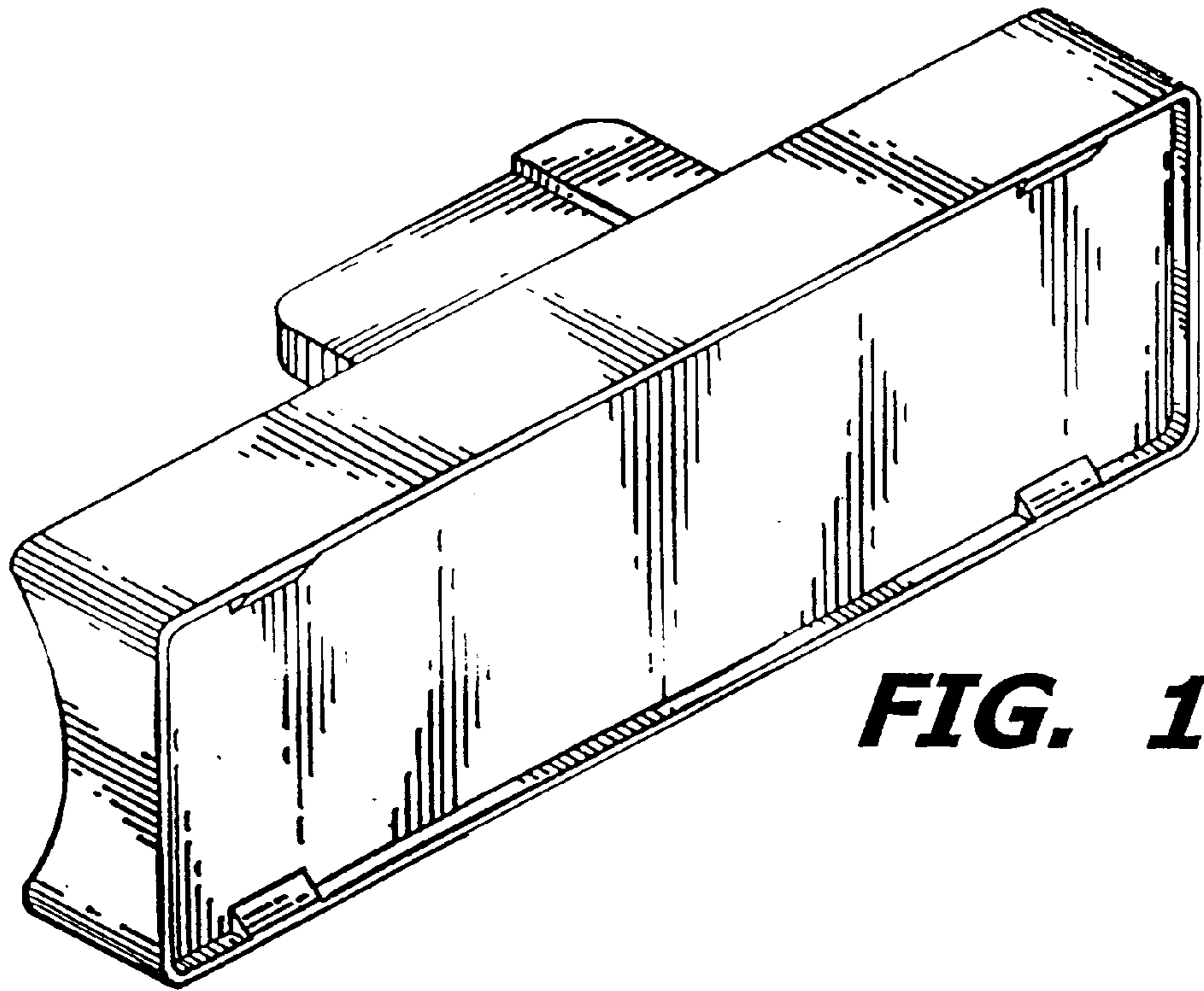


FIG. 1

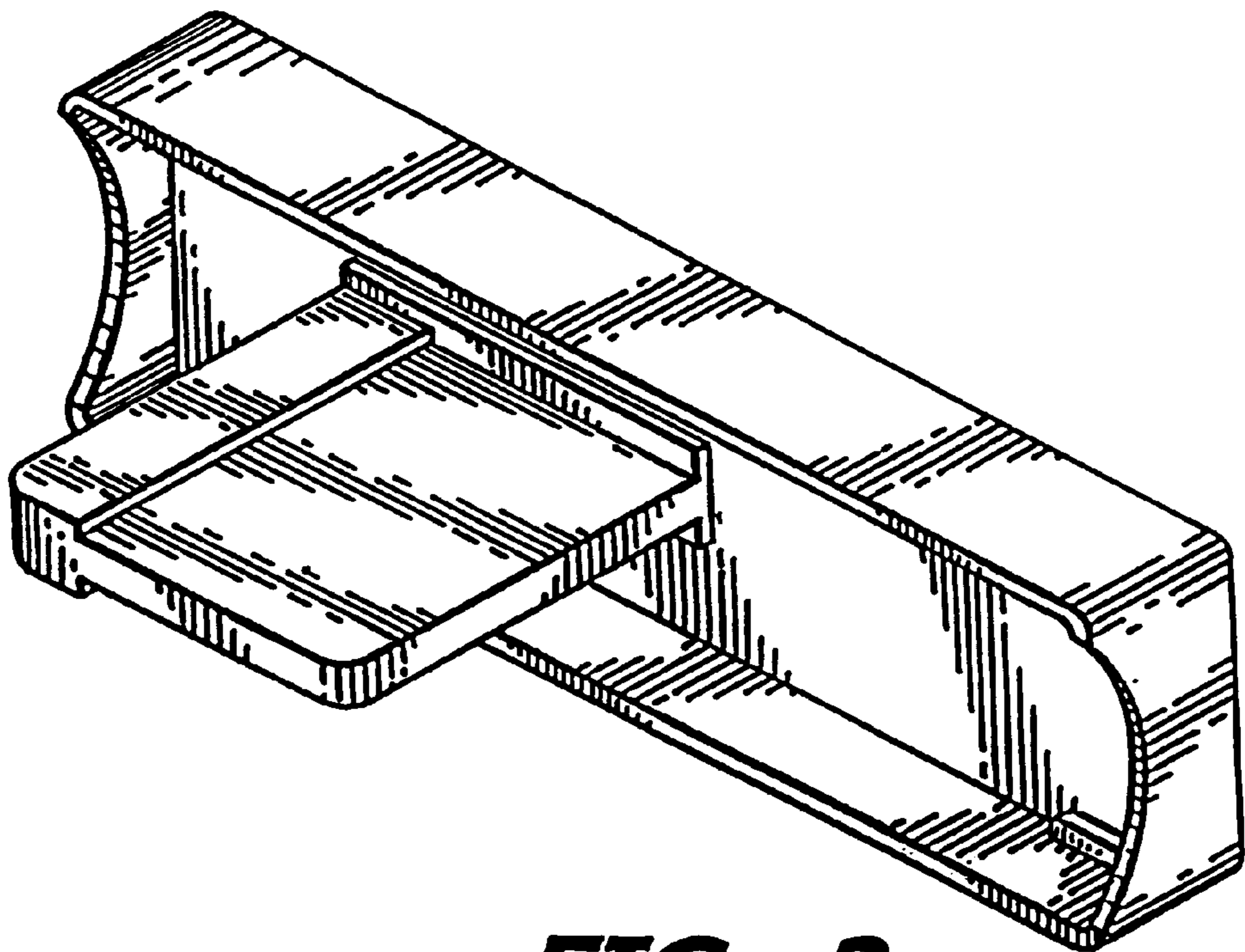


FIG. 2

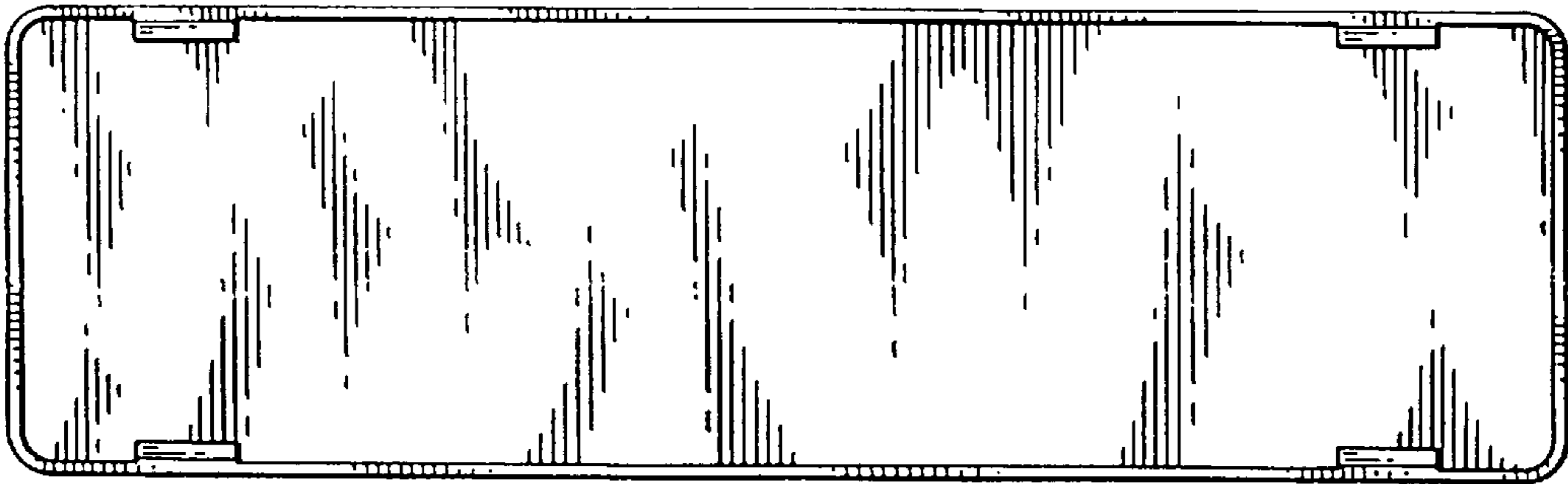


FIG. 3

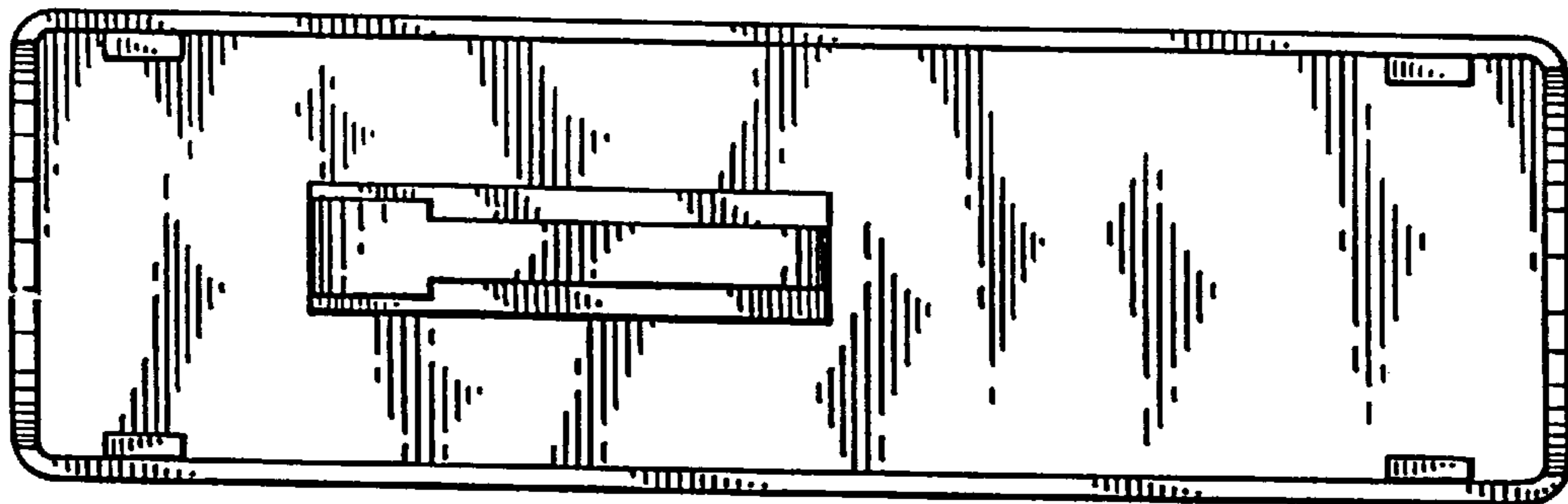


FIG. 4

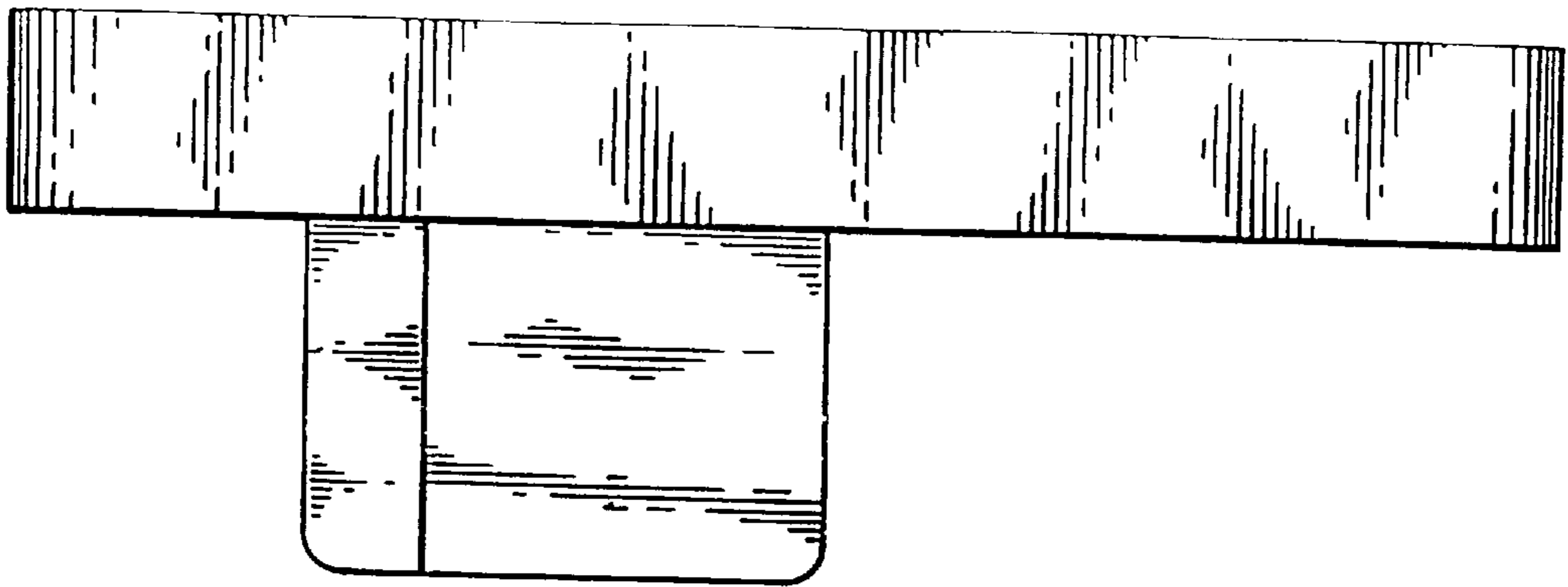


FIG. 5

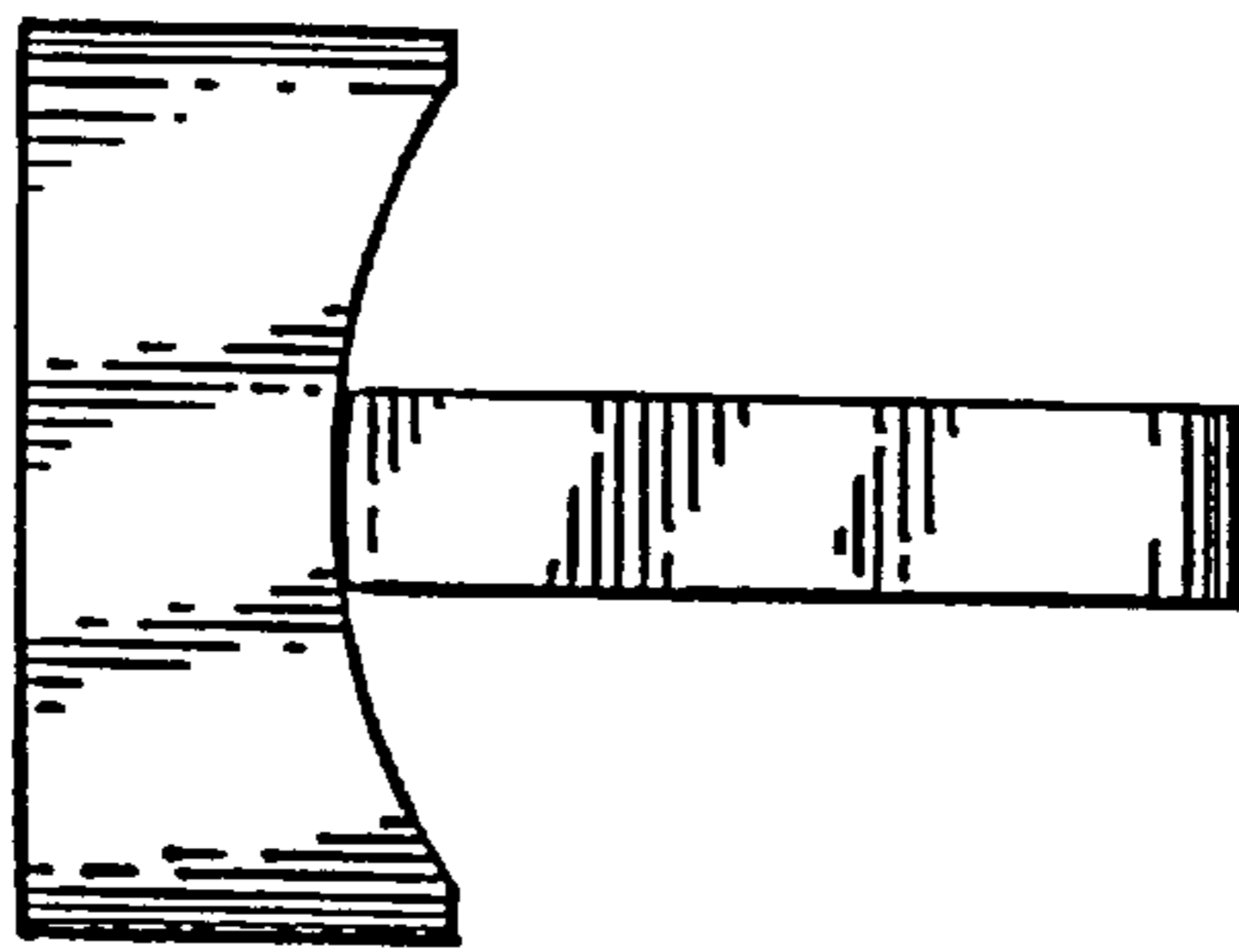


FIG. 6

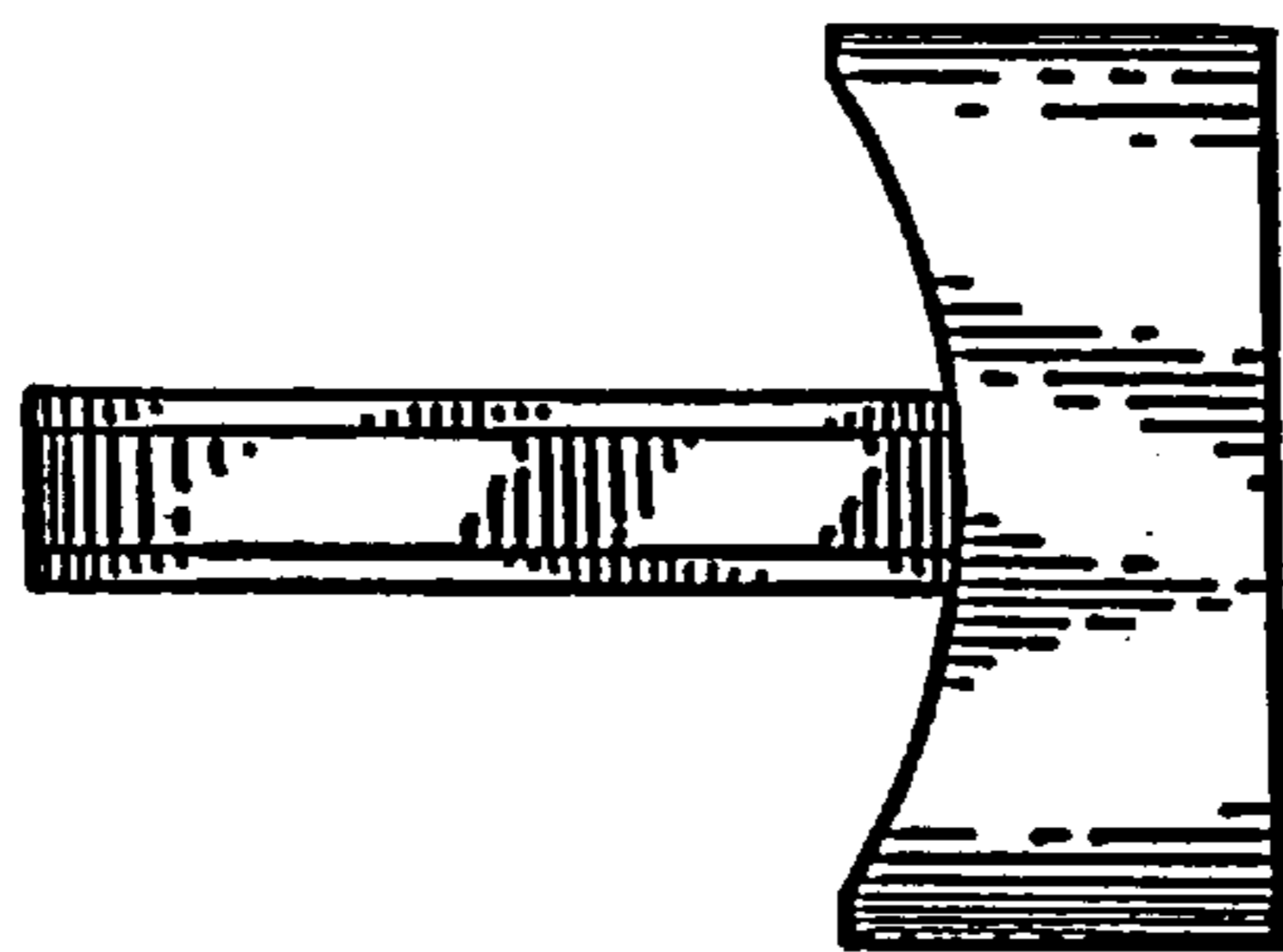


FIG. 7