



US00D430553S

United States Patent [19]
Kokkinis

[11] **Patent Number: Des. 430,553**

[45] **Date of Patent: ** Sep. 5, 2000**

[54] **VERTICAL CD STEREO HOME MINI SYSTEM**

[75] Inventor: **Serge Kokkinis**, Hong Kong, The Hong Kong Special Administrative Region of the People's Republic of China

[73] Assignee: **Alfa Technology Limited**, The Hong Kong Special Administrative Region of the People's Republic of China

[**] Term: **14 Years**

[21] Appl. No.: **29/106,721**

[22] Filed: **Jun. 18, 1999**

[30] **Foreign Application Priority Data**

Jan. 27, 1999 [HK] The Hong Kong Special Administrative Region of the People's Republic of China 9910108

[51] **LOC (7) Cl.** **14-01**

[52] **U.S. Cl.** **D14/168**

[58] **Field of Search** D14/156, 160-165, D14/167-168, 188, 193-198; 455/344, 347-351

[56] **References Cited**

U.S. PATENT DOCUMENTS

D. 309,899	8/1990	Kashiwagi	D14/163
D. 339,345	9/1993	Fuke	D14/163 X
D. 350,960	9/1994	Sakata et al.	D14/188 X
5,146,618	9/1992	Wenner	D14/168 X

Primary Examiner—Nanda Bondade
Attorney, Agent, or Firm—Strasburger & Price, LLP

[57] **CLAIM**

The ornamental design for a vertical CD stereo home mini system, as shown and described.

DESCRIPTION

FIG. 1 is a front view of the claimed invention.

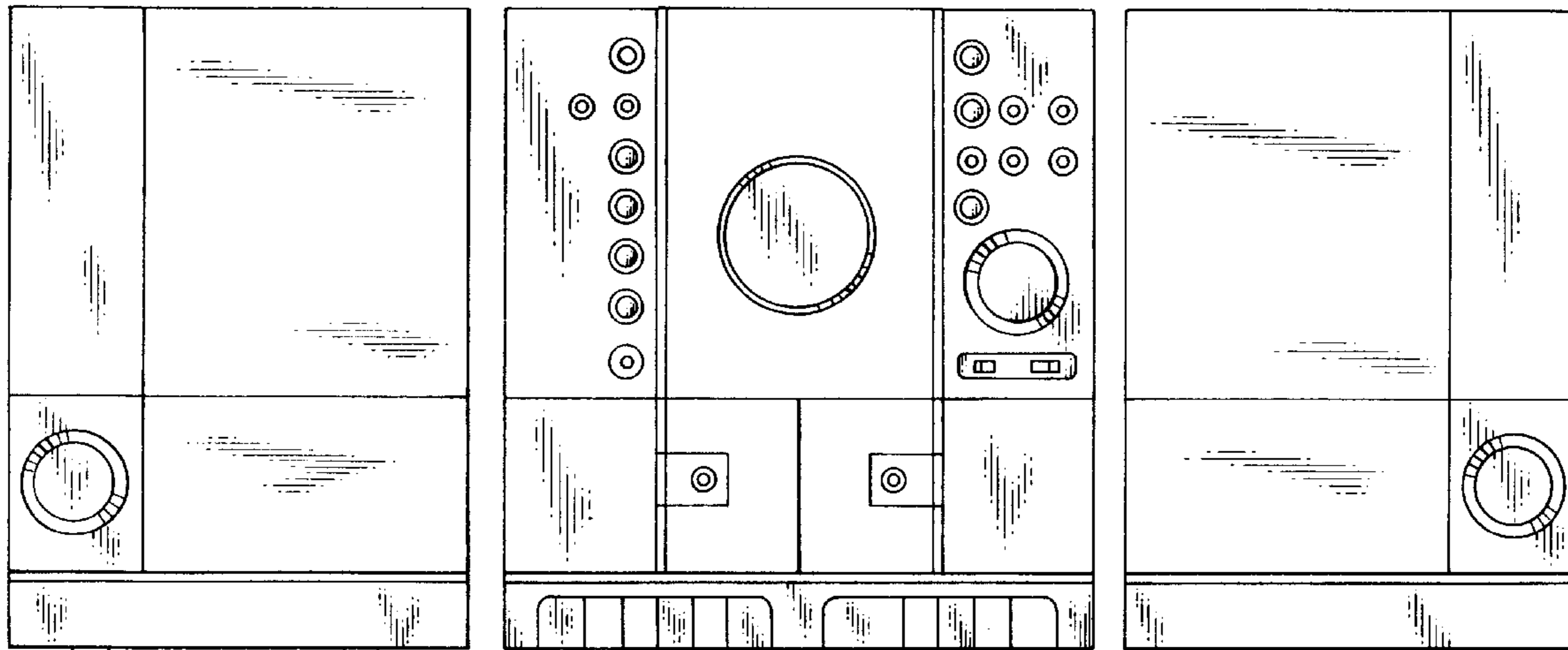
FIG. 2 is a right view of the claimed invention.

FIG. 3 is a left view of the claimed invention; and,

FIG. 4 is a top view of the claimed invention.

The bottom and back views of the claimed invention are unornamented.

1 Claim, 2 Drawing Sheets



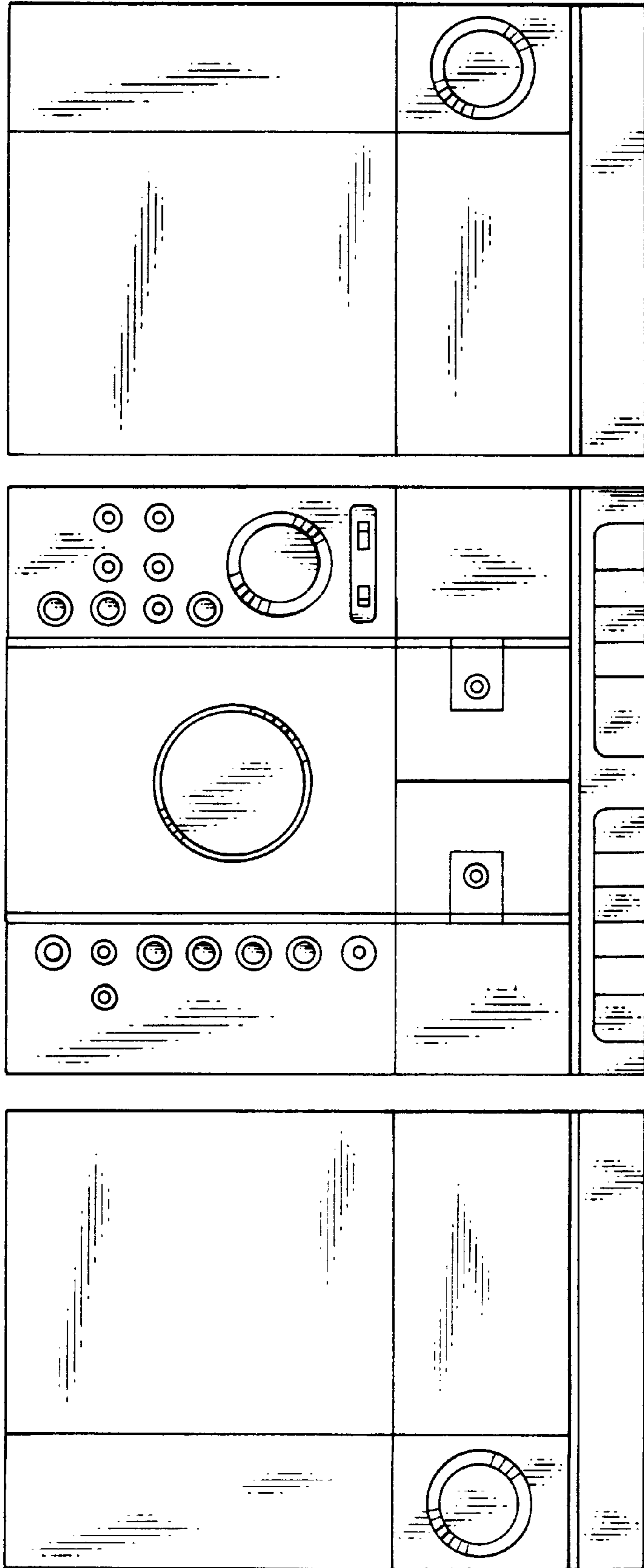


Fig. 1

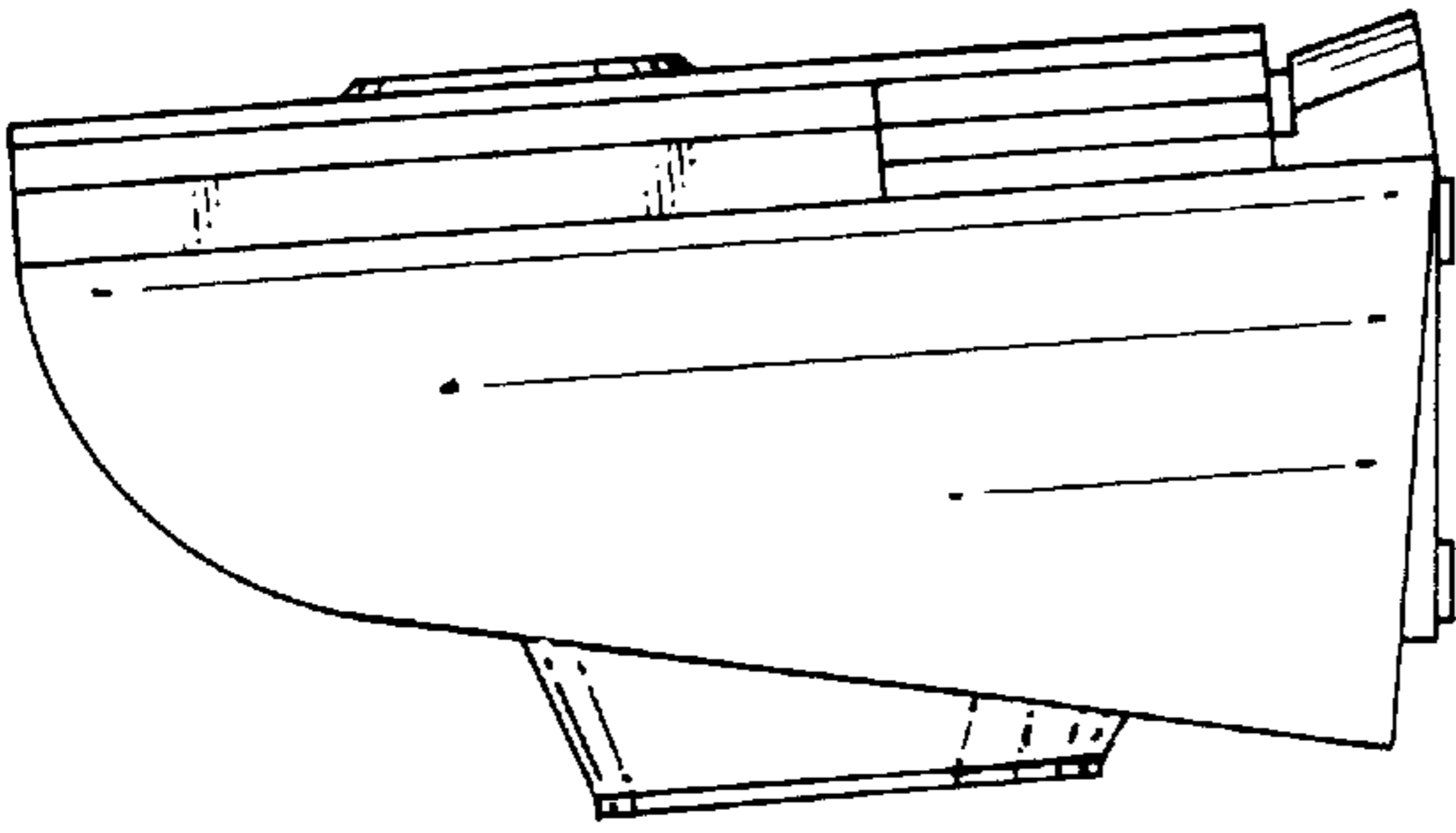


Fig. 2

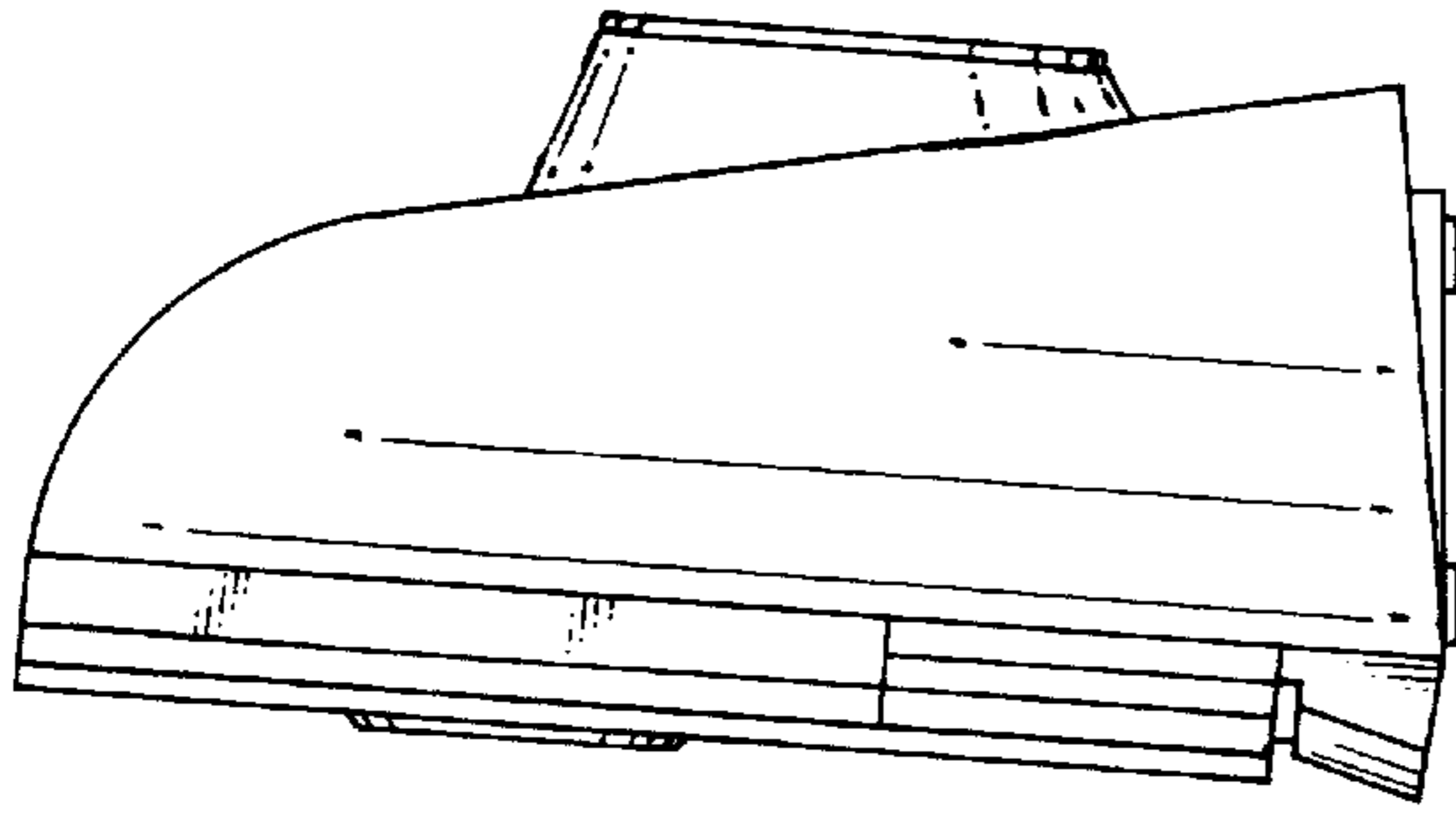


Fig. 3

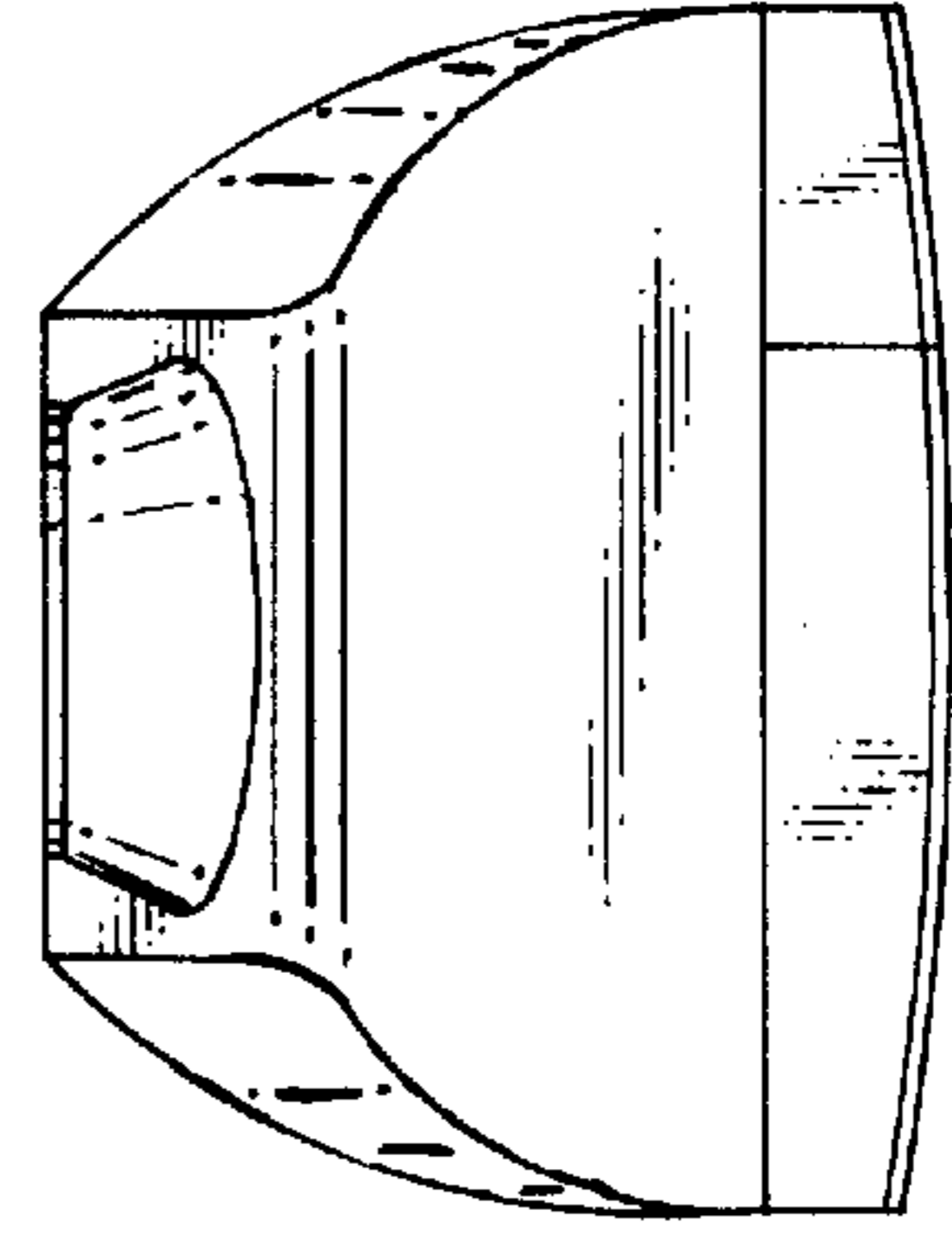
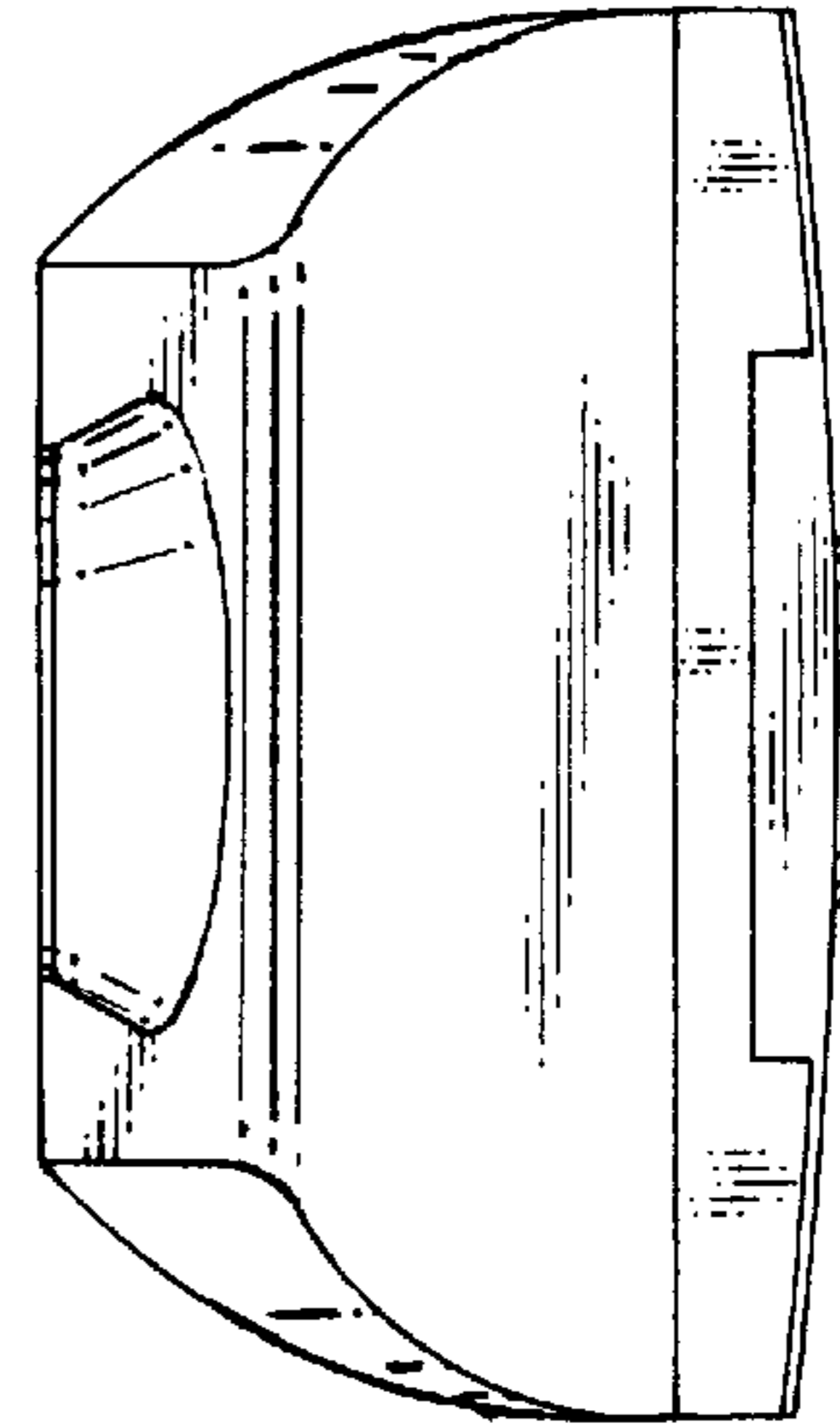
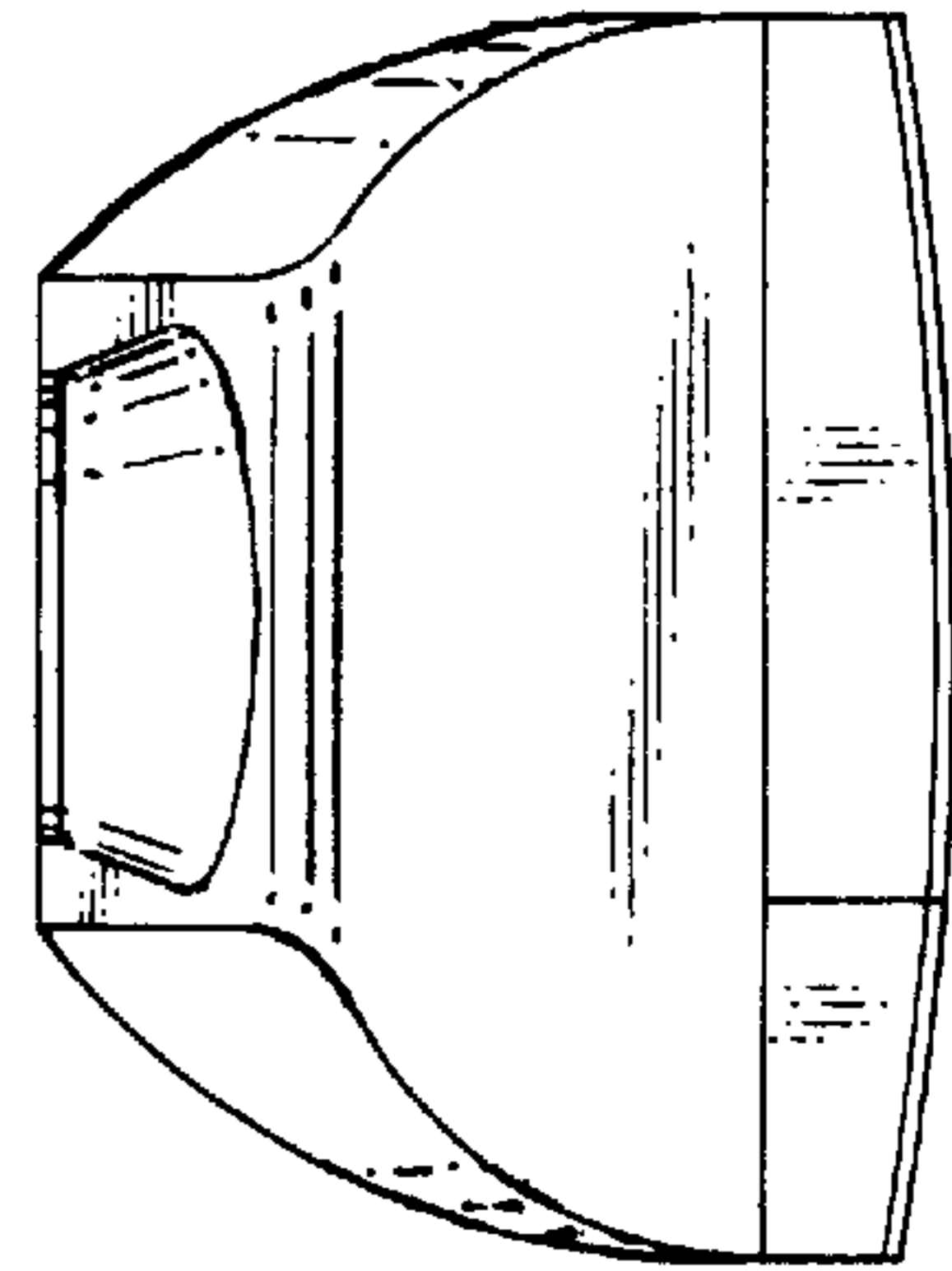


Fig. 4