



US00D430551S

United States Patent [19] Shiono

[11] **Patent Number: Des. 430,551**

[45] **Date of Patent: ** Sep. 5, 2000**

[54] **DISC PLAYER**

[75] Inventor: **Daisuke Shiono**, Tokyo, Japan

[73] Assignee: **Sony Corporation**, Japan

[**] Term: **14 Years**

[21] Appl. No.: **29/110,807**

[22] Filed: **Sep. 13, 1999**

[51] **LOC (7) Cl.** **14-01**

[52] **U.S. Cl.** **D14/156**

[58] **Field of Search** D14/135, 136,
D14/156, 157, 160-165, 167-168; 369/75.1,
75.2, 77.1, 77.2

[56] **References Cited**

U.S. PATENT DOCUMENTS

| | | | | |
|------------|---------|----------|-------|-----------|
| D. 312,083 | 11/1990 | Takada | | D14/156 |
| D. 329,231 | 9/1992 | Lee | | D14/156 |
| D. 377,648 | 1/1997 | Young | | D14/156 X |
| D. 399,202 | 10/1998 | Kanatani | | D14/156 |
| D. 400,528 | 11/1998 | Kanatani | | D14/156 |
| D. 410,237 | 5/1999 | Kanatani | | D14/156 |
| D. 410,463 | 6/1999 | Hattori | | D14/156 |

OTHER PUBLICATIONS

Catalog; "The Point Network Spring 47"; Yodobashi Camera; Mar. 20, 1999; 3 sheets.

Catalog; "The Point Network Summer 41"; Yodobashi Camera; Jun. 19, 1998; 3 sheets.

Catalog; "89"; Sony; Jul. 1998; pp. 54 & 55.

Catalog; "92"; Sony; Jul. 1999; p. 56.

Primary Examiner—Nanda Bondade

Attorney, Agent, or Firm—Rader, Fishman & Grauer

[57] **CLAIM**

The ornamental design for a disc player, as shown and described.

DESCRIPTION

FIG. 1 is a perspective view of a disc player showing my new design;

FIG. 2 is a top plan view thereof;

FIG. 3 is a left side elevational view thereof;

FIG. 4 is a front elevational view thereof;

FIG. 5 is a bottom plan view thereof;

FIG. 6 is a right side elevational view thereof; and,

FIG. 7 is a rear elevational view thereof.

1 Claim, 4 Drawing Sheets

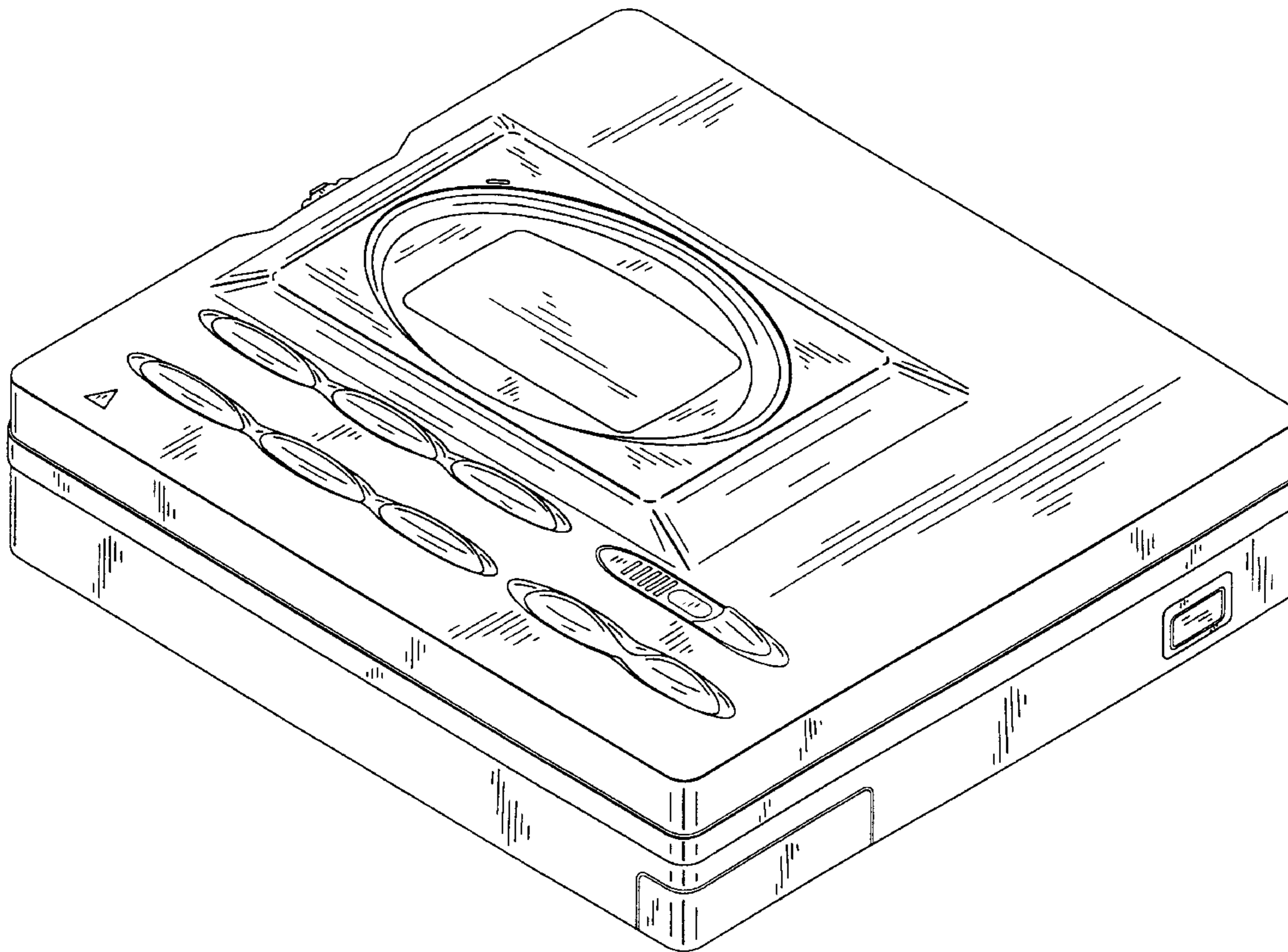


FIG. 1

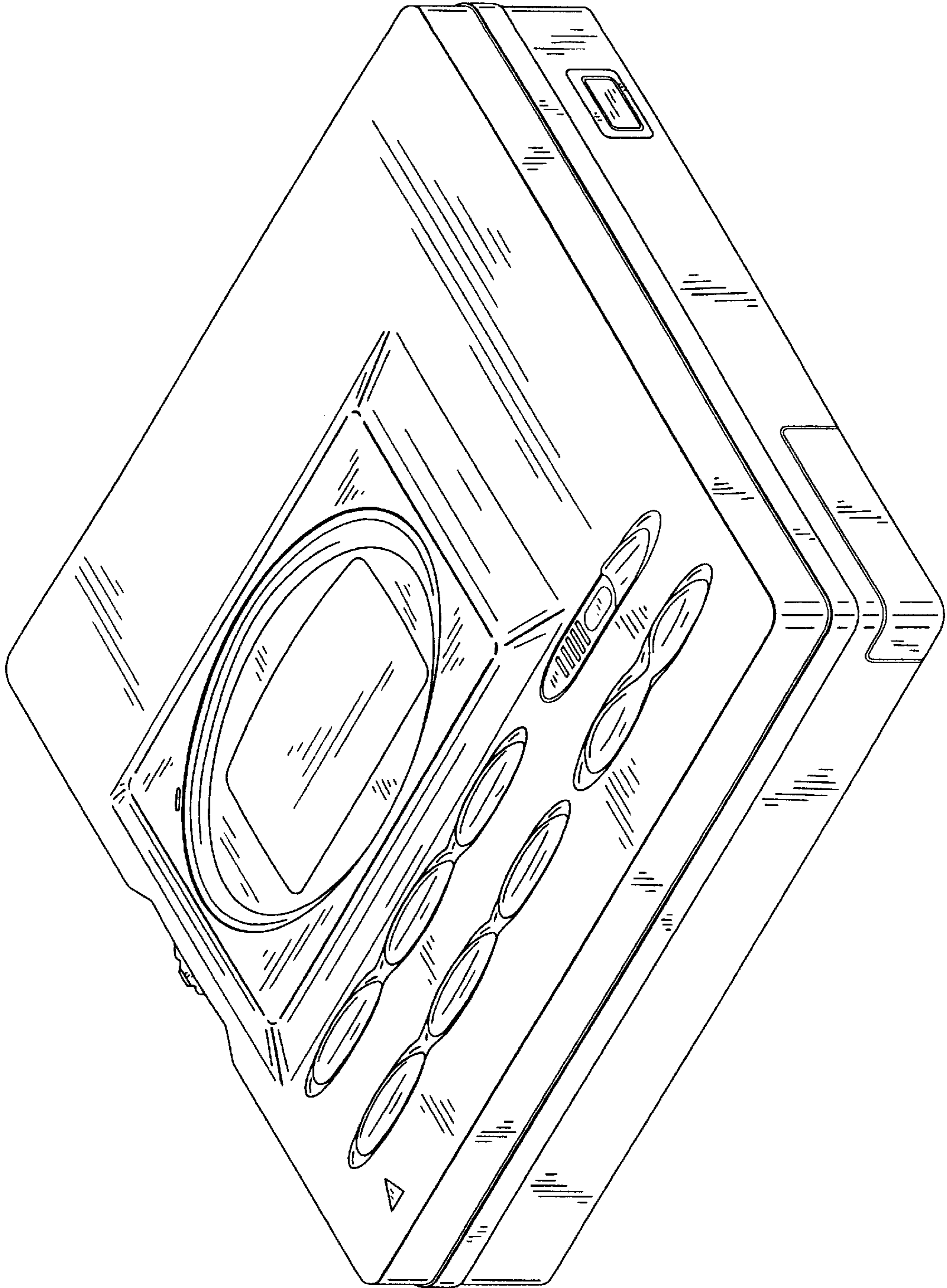


FIG. 2

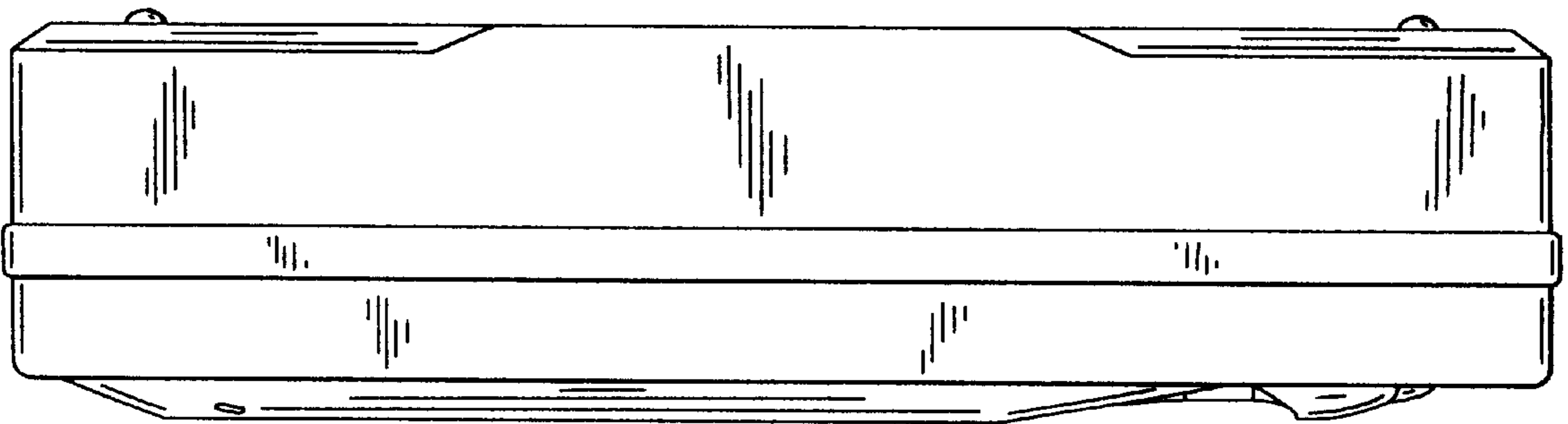


FIG. 5

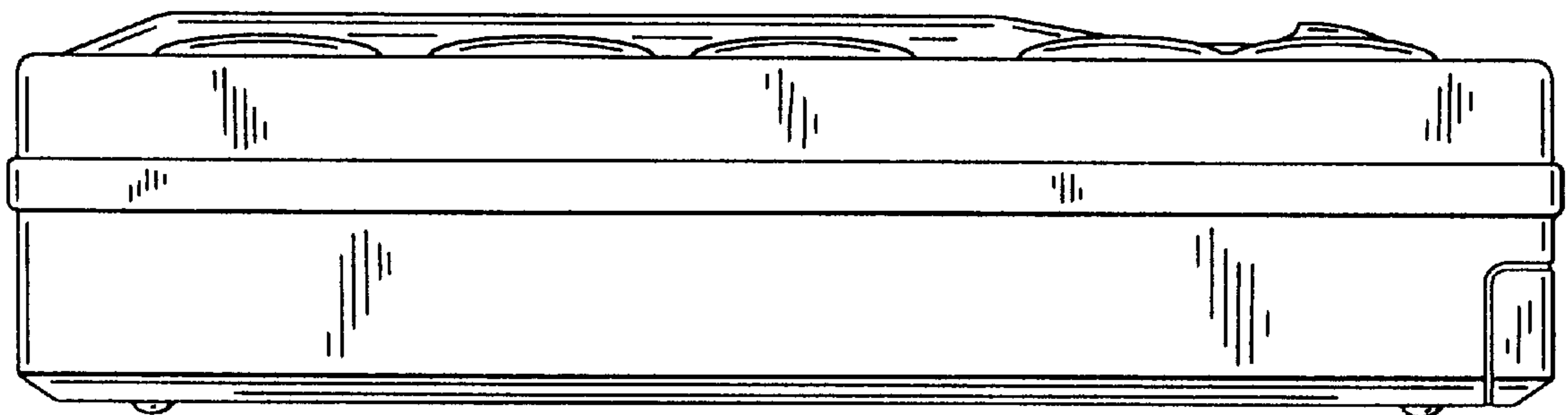


FIG. 4

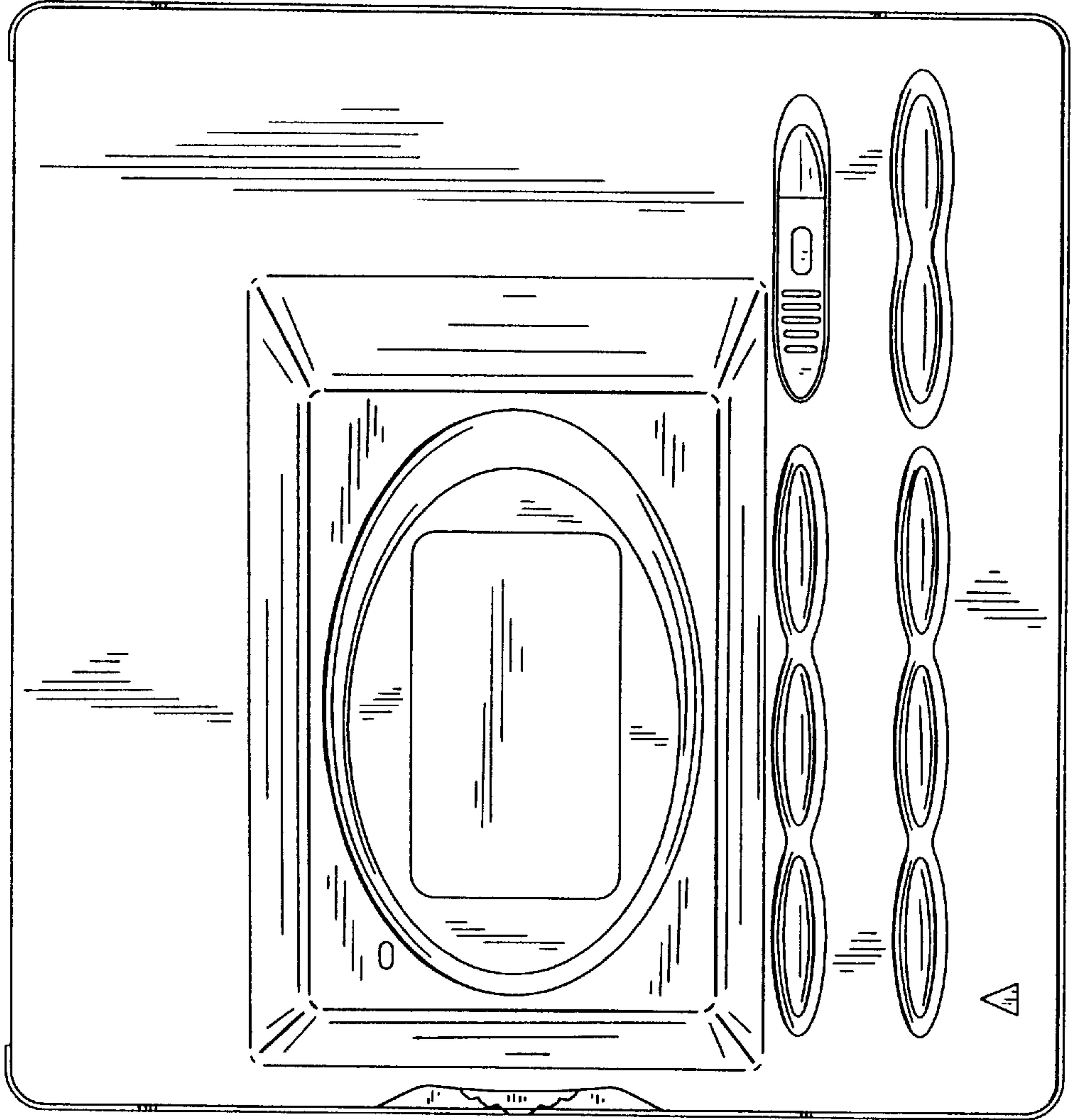


FIG. 3

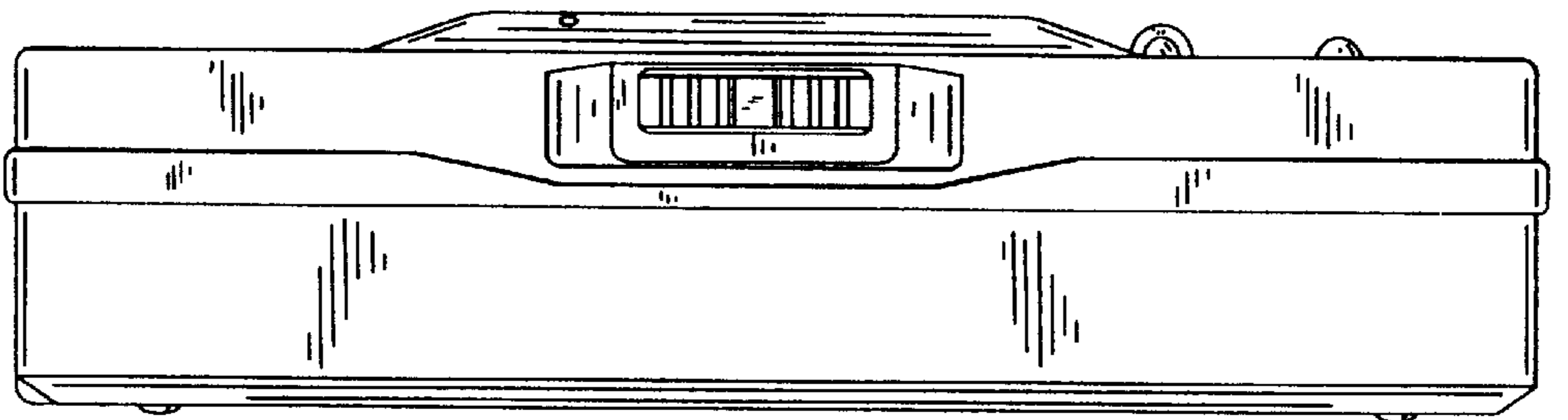


FIG. 7

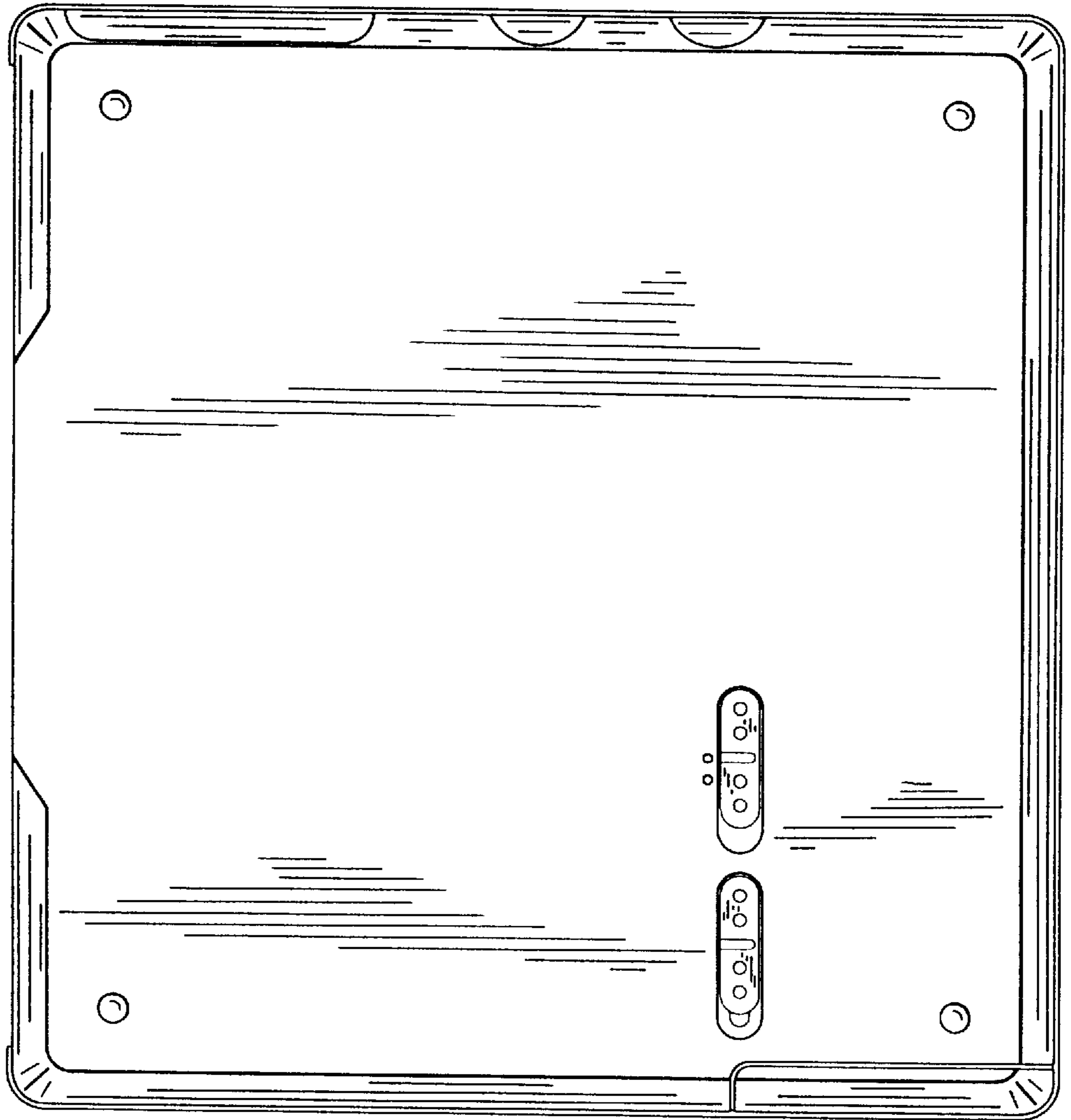


FIG. 6

