



US00D430545S

United States Patent [19] Rosen

[11] **Patent Number: Des. 430,545**

[45] **Date of Patent: ** Sep. 5, 2000**

[54] **MONITOR**

[75] Inventor: **John B. Rosen**, Eugene, Oreg.

[73] Assignee: **Rosen Products LLC**, Eugene, Oreg.

[**] Term: **14 Years**

[21] Appl. No.: **29/102,313**

[22] Filed: **Mar. 22, 1999**

5,161,028	11/1992	Kawata et al. .	
5,179,367	1/1993	Shimizu	248/919 X
5,467,106	11/1995	Salomon .	
5,743,487	4/1998	Rice .	
5,842,672	12/1998	Sweere et al.	248/921 X

Primary Examiner—Richelle Shelton
Attorney, Agent, or Firm—Kolisch, Hartwell, Dickinson,
McCormack & Heuser

Related U.S. Application Data

[63] Continuation of application No. 29/085,561, Mar. 25, 1998,
Pat. No. Des. 407,086.

[51] **LOC (7) Cl.** **14-03**

[52] **U.S. Cl.** **D14/132**

[58] **Field of Search** D14/126–134,
D14/371, 374, 375; 312/7.2; 348/148, 825,
827, 836, 837; 248/917–924

[56] References Cited

U.S. PATENT DOCUMENTS

D. 364,857	12/1995	Chou	D14/375
D. 366,067	1/1996	Mowrey .	
D. 390,219	2/1998	Rosen .	
D. 391,926	3/1998	Brunner et al.	D14/132 X
D. 395,458	6/1998	Smith et al. .	
D. 396,222	7/1998	Morgan et al.	D14/374
D. 407,086	3/1999	Rosen .	
4,438,458	3/1984	Münscher .	
4,504,910	3/1985	Araki et al. .	
4,749,364	6/1988	Arney et al. .	
4,843,477	6/1989	Mizutani et al. .	
5,145,128	9/1992	Umeda	248/918 X

[57] CLAIM

The ornamental design for a monitor, as shown and described.

DESCRIPTION

FIG. 1 is an isometric view of a monitor arrangement including a monitor constructed in accordance with the present invention, the monitor being shown in a deployed orientation;

FIG. 2 is an isometric view similar to that of FIG. 1, but with the monitor in a stowed orientation;

FIG. 3 is a front elevation view of a monitor arrangement such as that shown in FIG. 1, the monitor being shown in a deployed orientation;

FIG. 4 is a rear elevation view thereof;

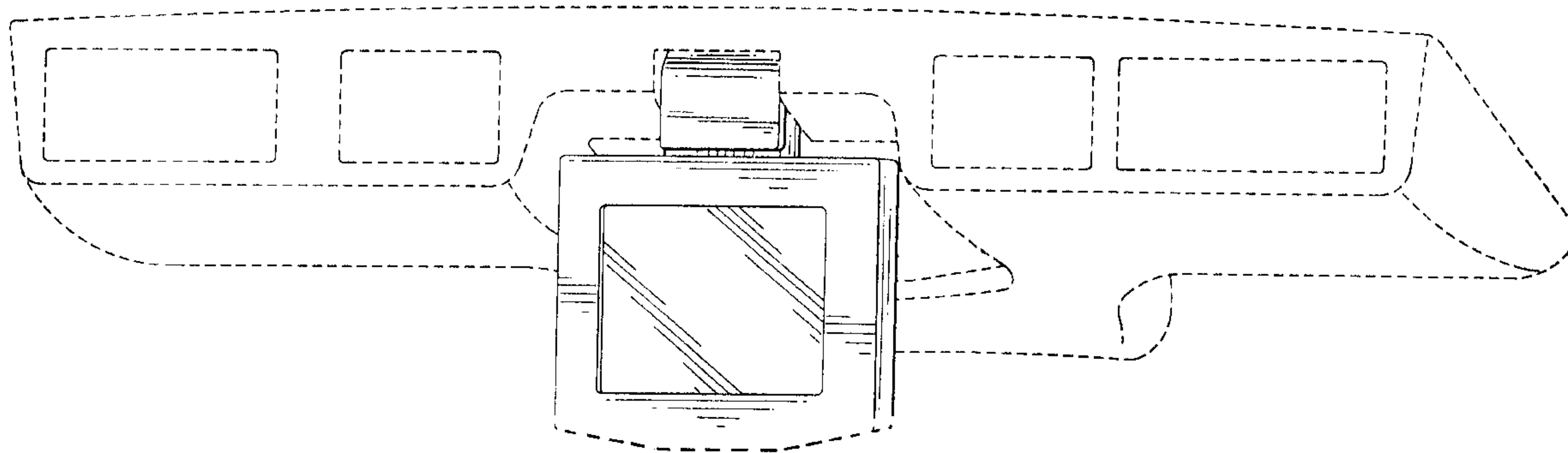
FIG. 5 is a bottom view thereof; and,

FIG. 6 is a left-side view thereof, the right-side view being a mirror image thereof.

The broken lines shown in FIGS. 1–6 are for illustrative purposes and form no part of the claimed design.

The surfaces or portions of the article not shown in the drawing or described in the specification form no part of the claimed design.

1 Claim, 4 Drawing Sheets



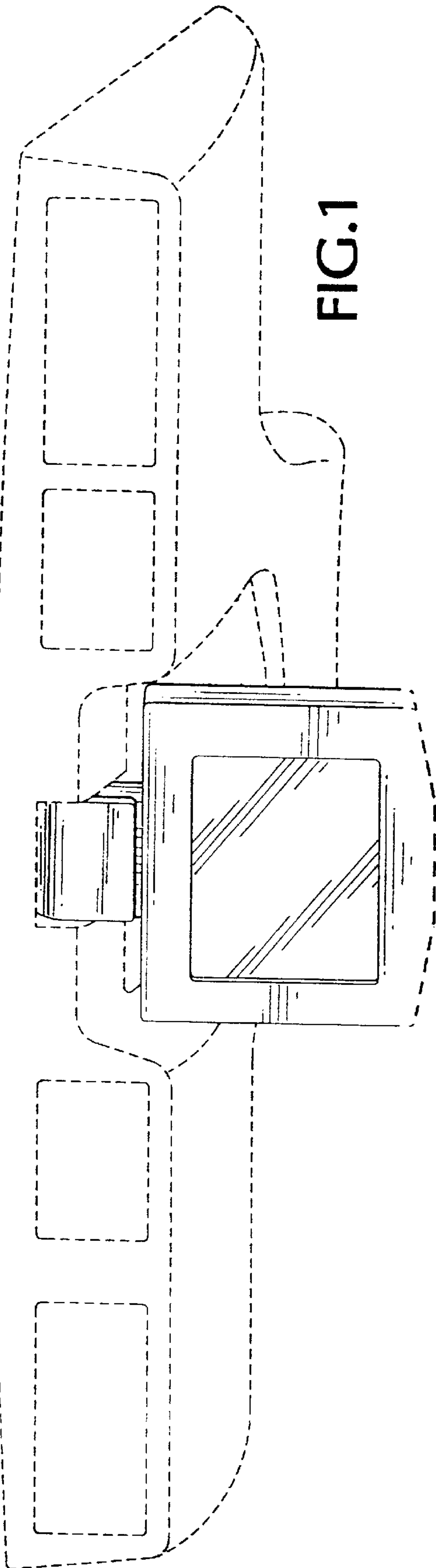


FIG. 1

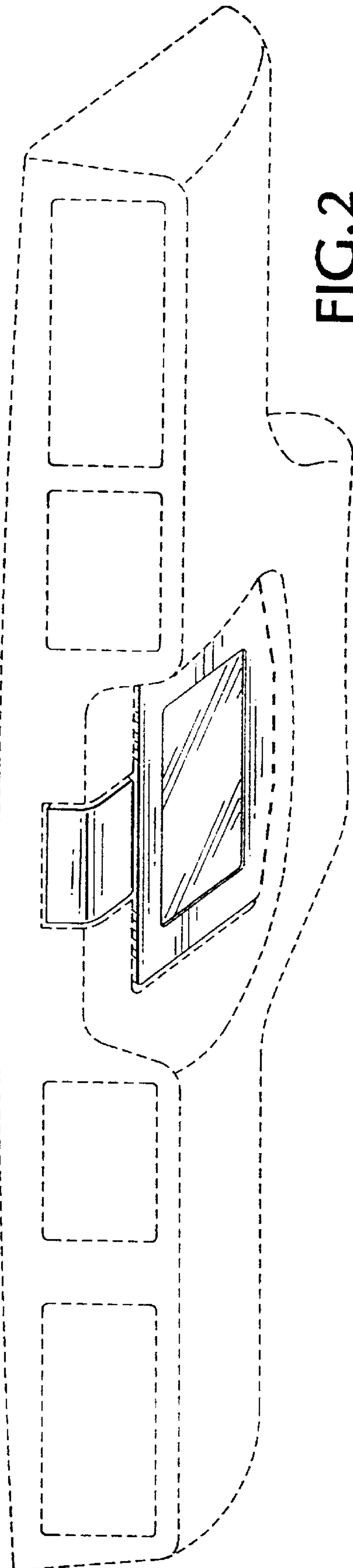


FIG. 2

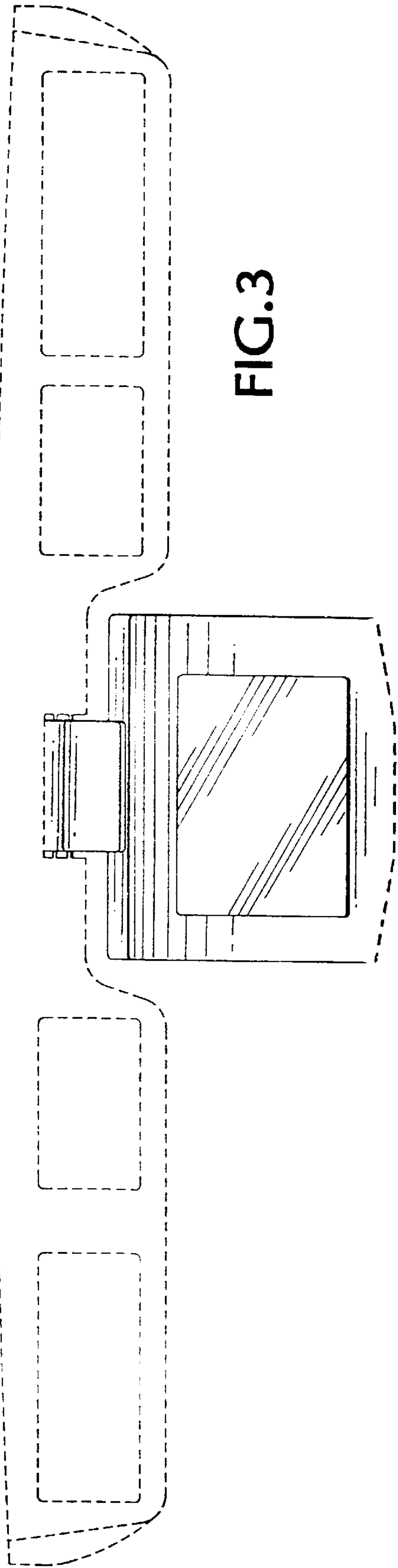


FIG. 3

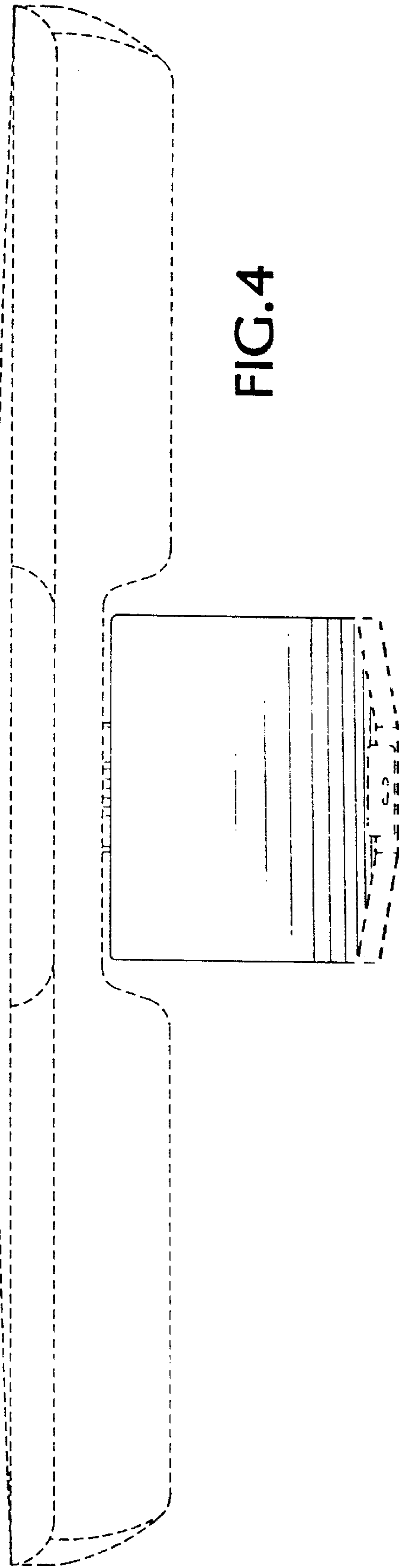


FIG. 4

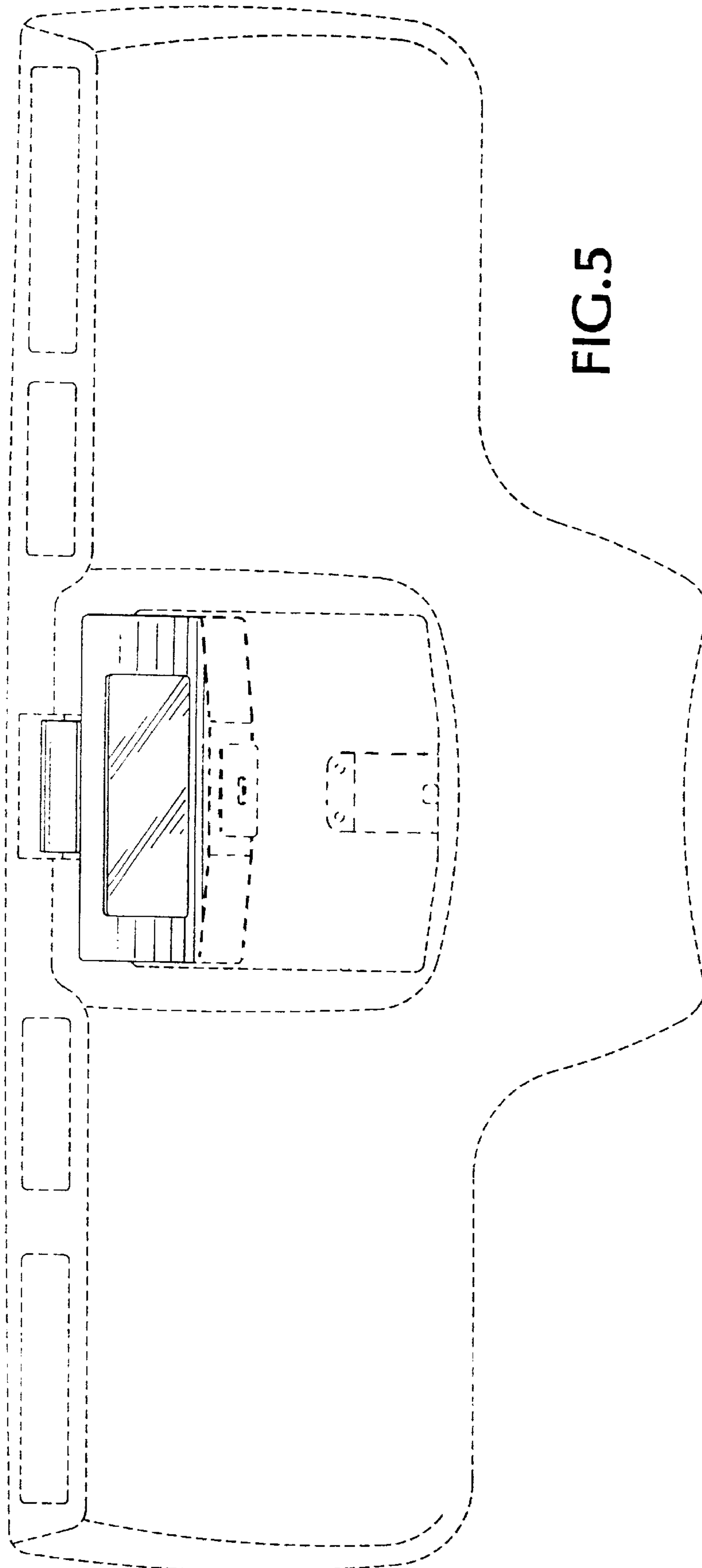


FIG. 5

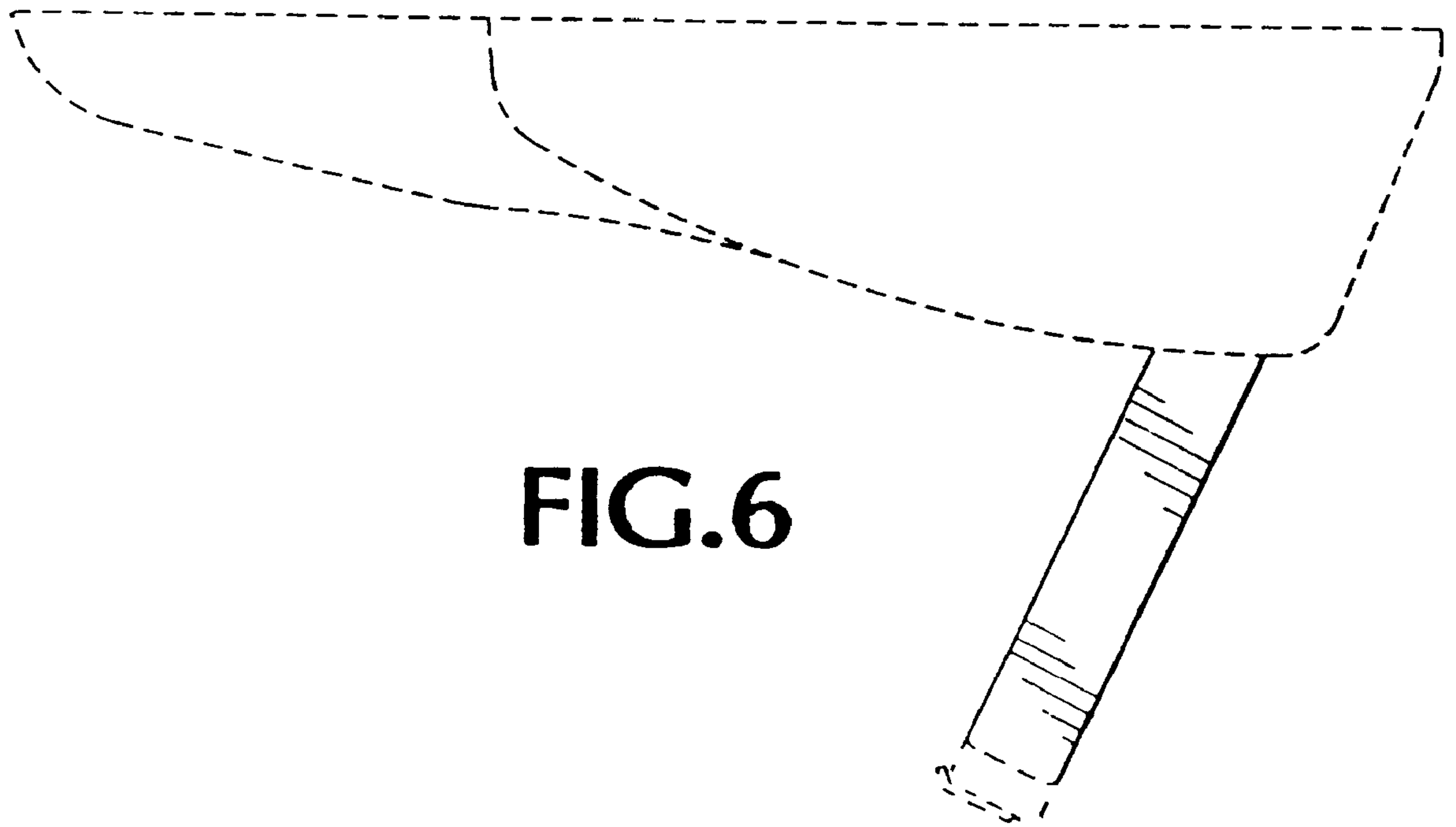


FIG. 6