



US00D430540S

# United States Patent [19]

Nishio et al.

[11] **Patent Number: Des. 430,540**

[45] **Date of Patent: \*\* Sep. 5, 2000**

[54] **ELECTRIC CONNECTOR**

[75] Inventors: **Atsushi Nishio; Yoshikazu Abe**, both of Ibaraki-Ken; **Satoru Karahashi**, Ushiku, all of Japan

[73] Assignee: **Mitsumi Electric Co., Ltd.**, Japan

[\*\*] Term: **14 Years**

[21] Appl. No.: **29/110,359**

[22] Filed: **Sep. 3, 1999**

[30] **Foreign Application Priority Data**

Mar. 3, 1999 [JP] Japan ..... 11-5278

[51] **LOC (7) Cl.** ..... **13-03**

[52] **U.S. Cl.** ..... **D13/147**

[58] **Field of Search** ..... D13/146, 147; 439/607, 610

[56] **References Cited**

**U.S. PATENT DOCUMENTS**

D. 366,646 1/1996 Carr ..... D13/146

D. 378,209 2/1997 Morikawa et al. .... D13/147  
4,838,808 6/1989 Fujiura ..... 439/610 X  
5,267,882 12/1993 Davis ..... 439/610 X  
5,683,269 11/1997 Davis et al. .... 439/607

*Primary Examiner*—Joel Sincavage  
*Attorney, Agent, or Firm*—Morrison Law Firm

[57] **CLAIM**

The ornamental design for an electric connector, as shown and described.

**DESCRIPTION**

FIG. 1 is a top, front, right side perspective view of an electric connector showing our design;  
FIG. 2 is a right side view thereof;  
FIG. 3 is a front view thereof;  
FIG. 4 is a bottom view thereof;  
FIG. 5 is a plan view thereof;  
FIG. 6 is a rear view thereof; and,  
FIG. 7 is a left side view thereof.

**1 Claim, 4 Drawing Sheets**

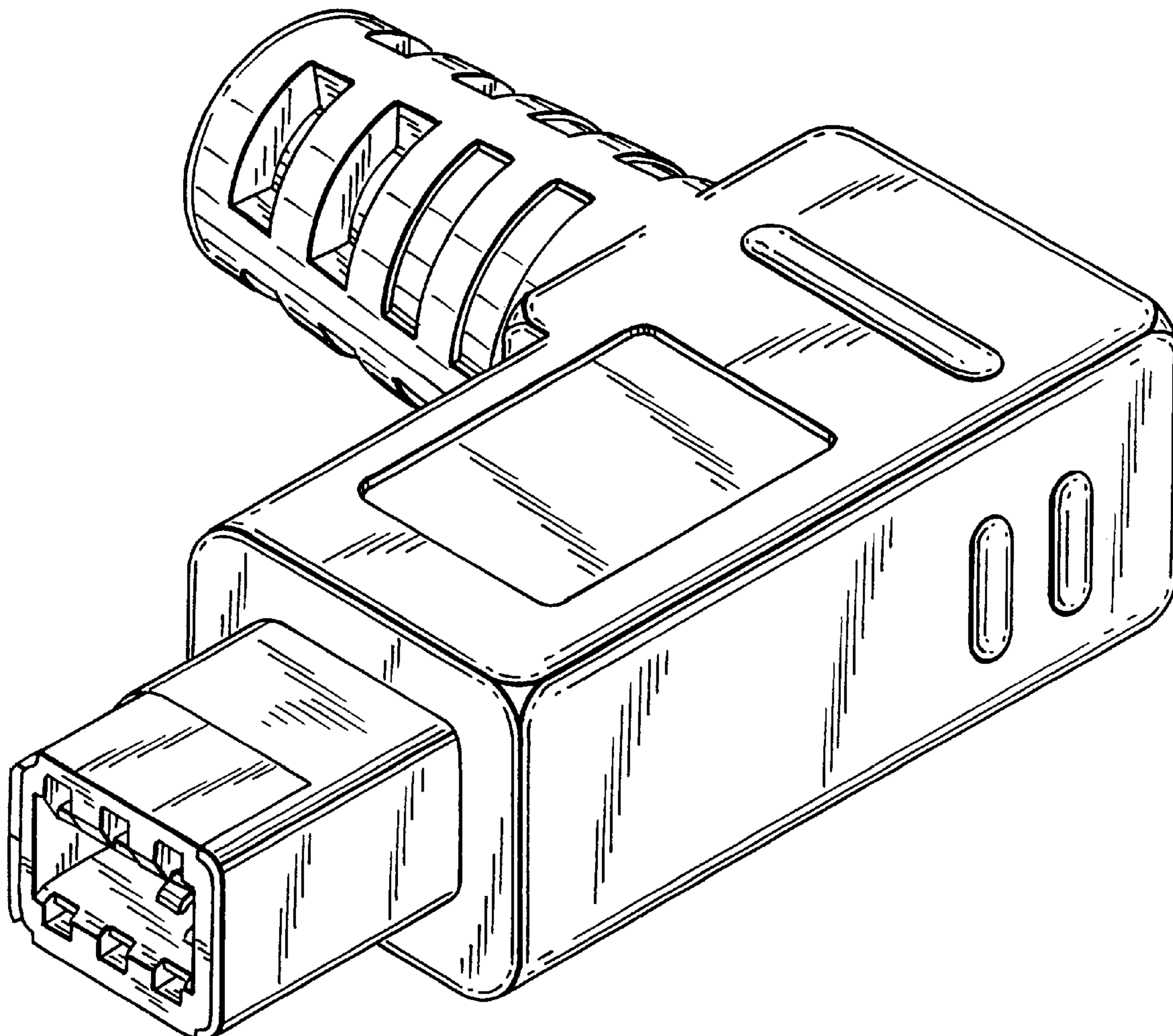
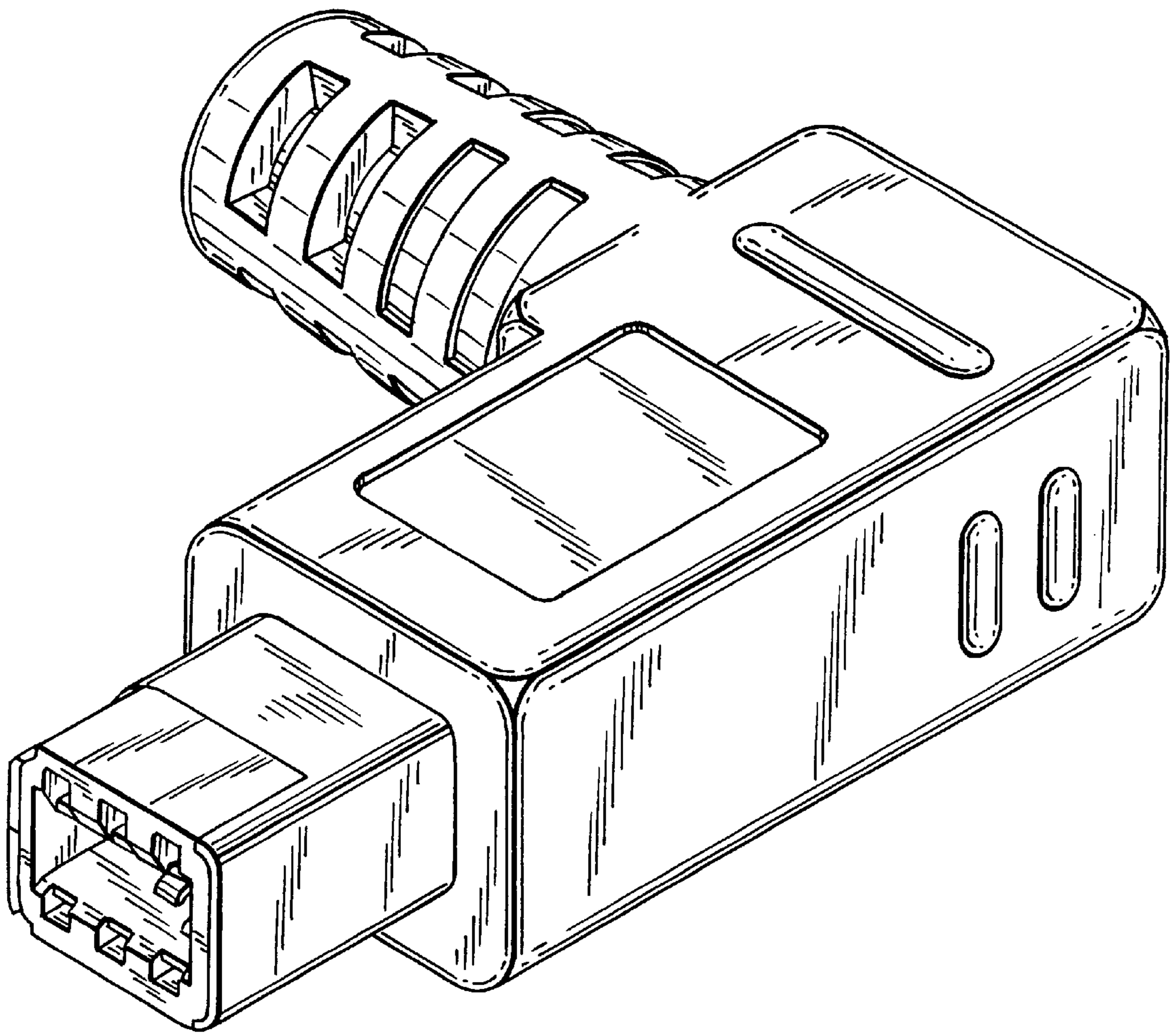


FIG. 1



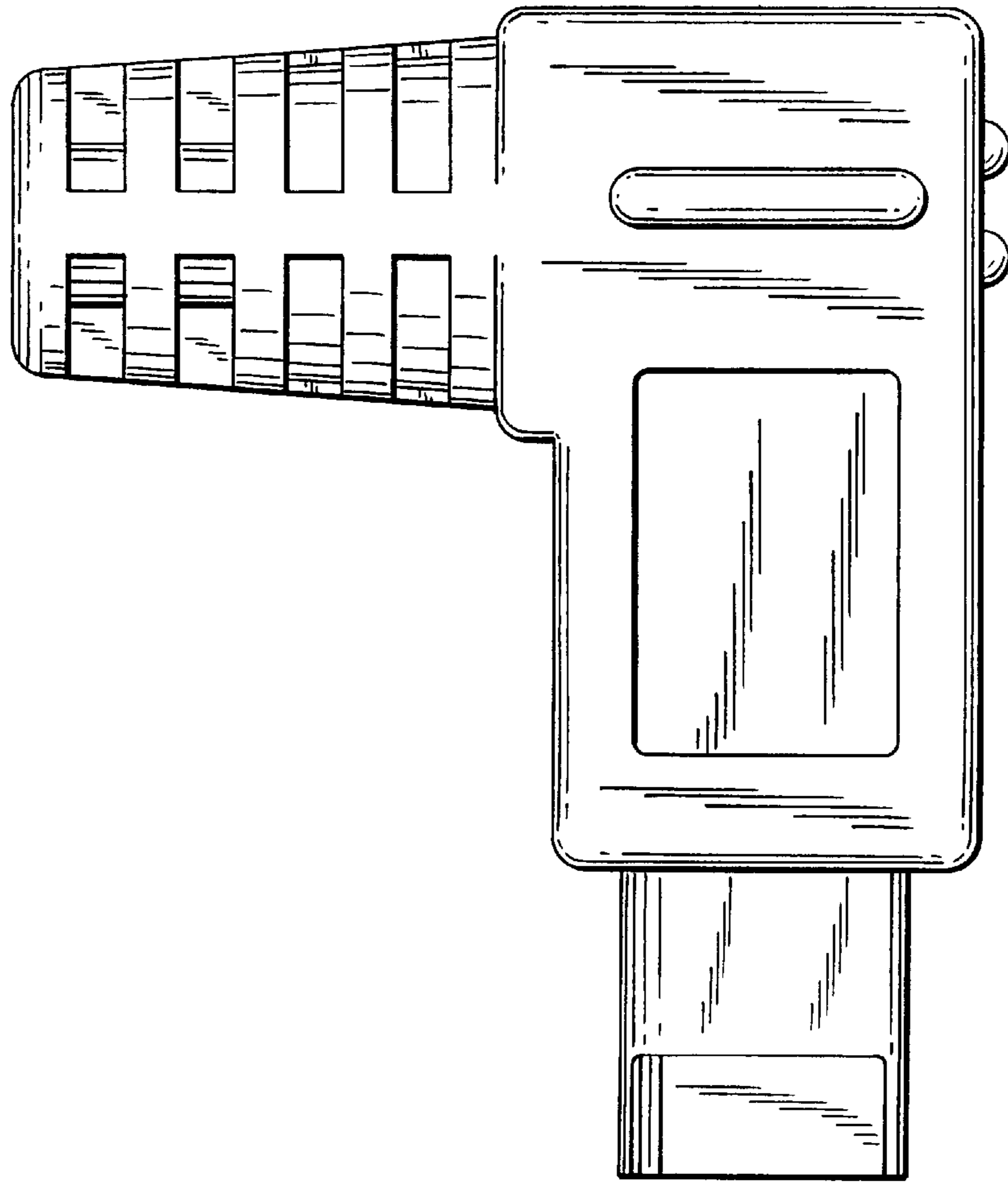


FIG. 2

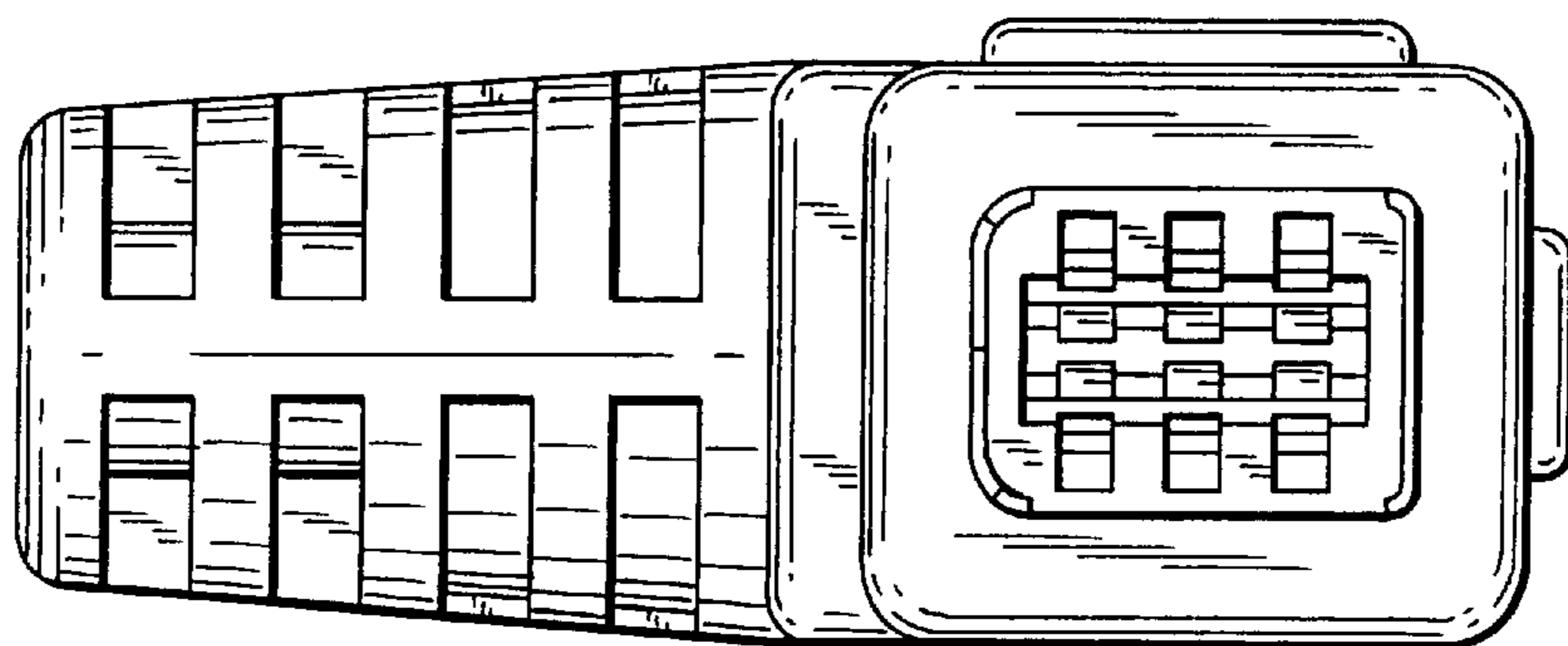


FIG. 3

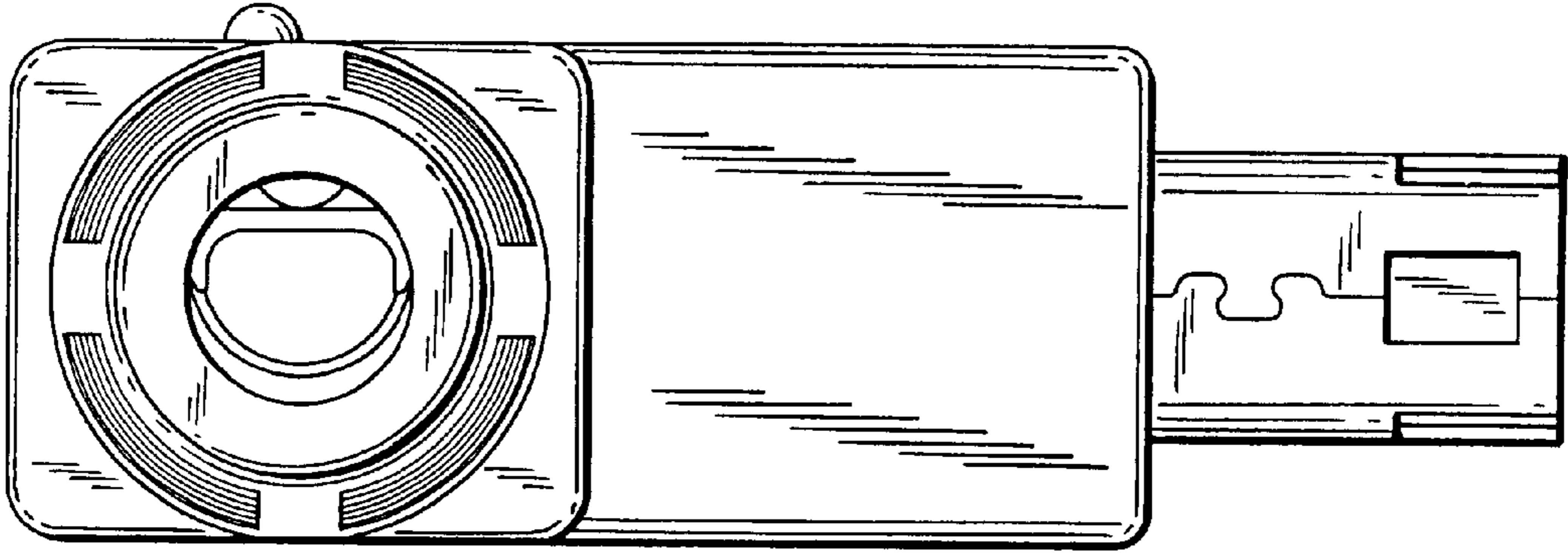


FIG. 4

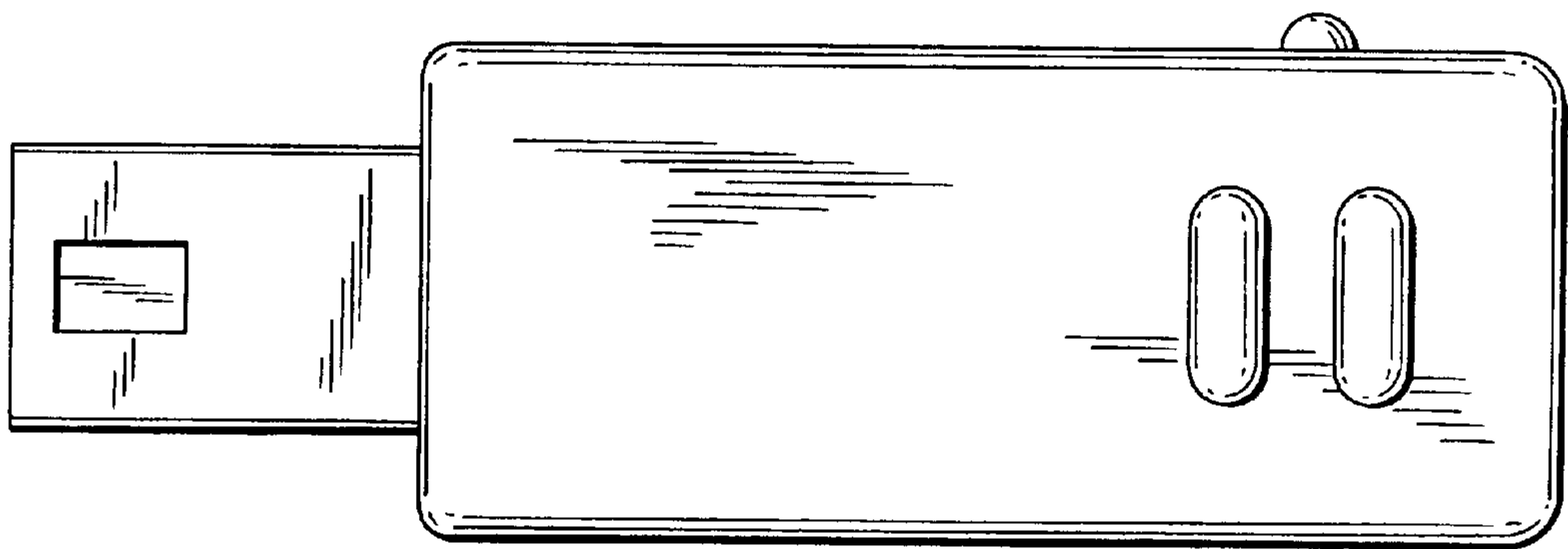


FIG. 5



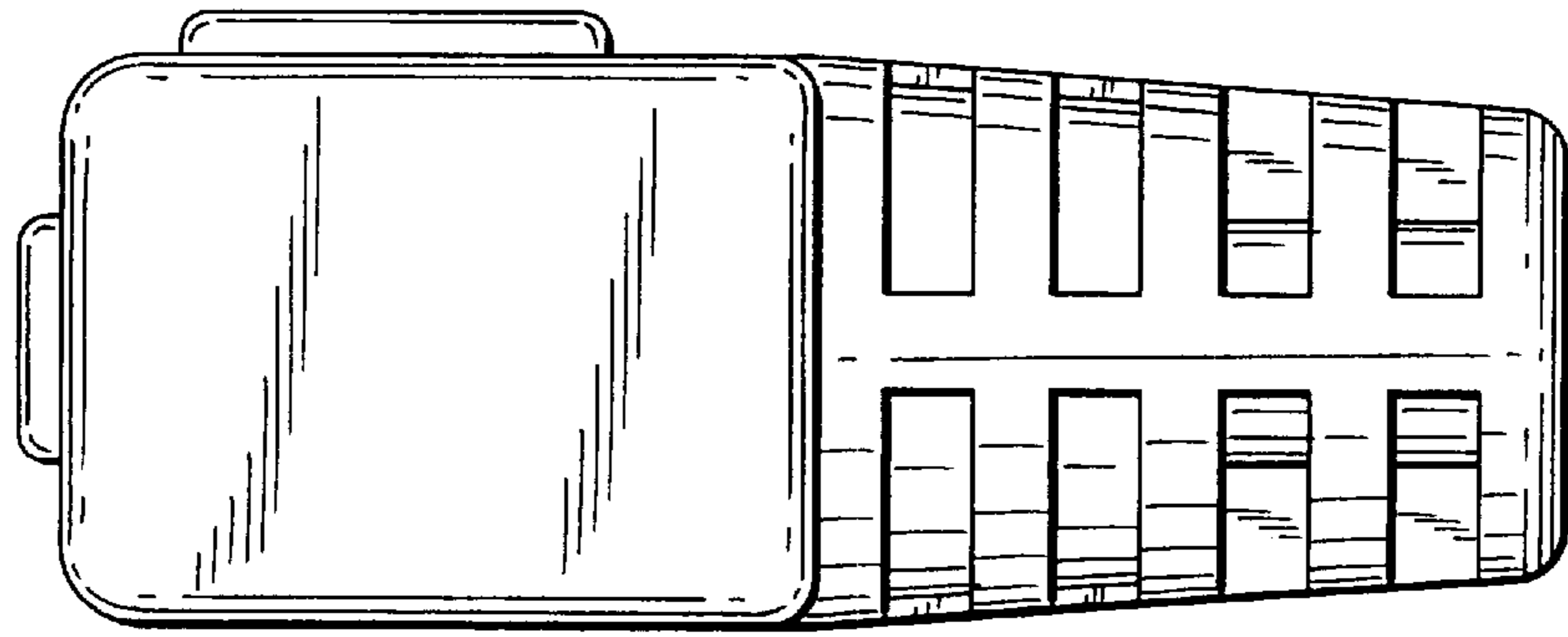


FIG. 6

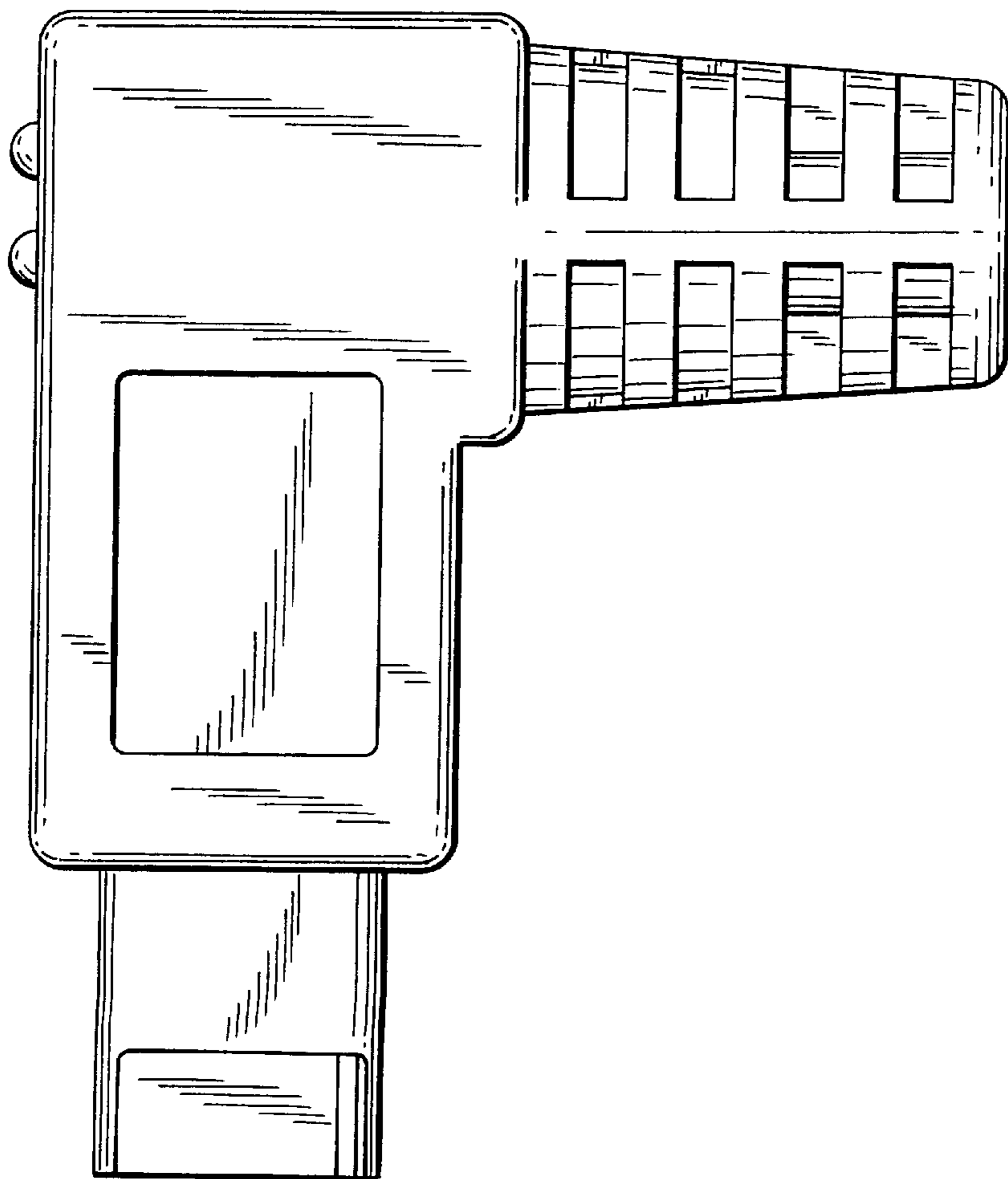


FIG. 7