



US00D430539S

United States Patent [19]

[11] **Patent Number: Des. 430,539**

Leopold et al.

[45] **Date of Patent: ** Sep. 5, 2000**

[54] **PROTECTIVE ELECTRICAL RECEPTACLE**

5,484,309 1/1996 Howard et al. 439/539

[75] Inventors: **Howard S. Leopold**, Melville; **Yuliy Rushansky**, Port Washington; **Donald R. Lamond**, Lynbrook, all of N.Y.; **Christopher J. Claypool**, Torrance, Calif.

Primary Examiner—Susan J. Lucas
Assistant Examiner—Jennifer Rivard
Attorney, Agent, or Firm—Morgan, Lewis & Bockius LLP

[73] Assignee: **Eagle Electric Manufacturing Co., Inc.**, Long Island City, N.Y.

[57] **CLAIM**

The ornamental design for a protective electrical receptacle, as shown and described.

[**] Term: **14 Years**

DESCRIPTION

[21] Appl. No.: **29/100,736**

FIG. 1 is a top perspective view of the protective electrical receptacle;

[22] Filed: **Feb. 17, 1999**

FIG. 2 is a bottom perspective view of the protective electrical receptacle;

[51] **LOC (7) Cl.** **13-03**

FIG. 3 is a top view of the protective electrical receptacle; FIG. 4 is a bottom view of the protective electrical receptacle;

[52] **U.S. Cl.** **D13/139.3**

[58] **Field of Search** D13/139.1, 139.3, D13/160; 361/42; 439/107, 538, 539, 650-653; 174/66, 67, 53

FIG. 5 is a left side view of the protective electrical receptacle;

[56] **References Cited**

U.S. PATENT DOCUMENTS

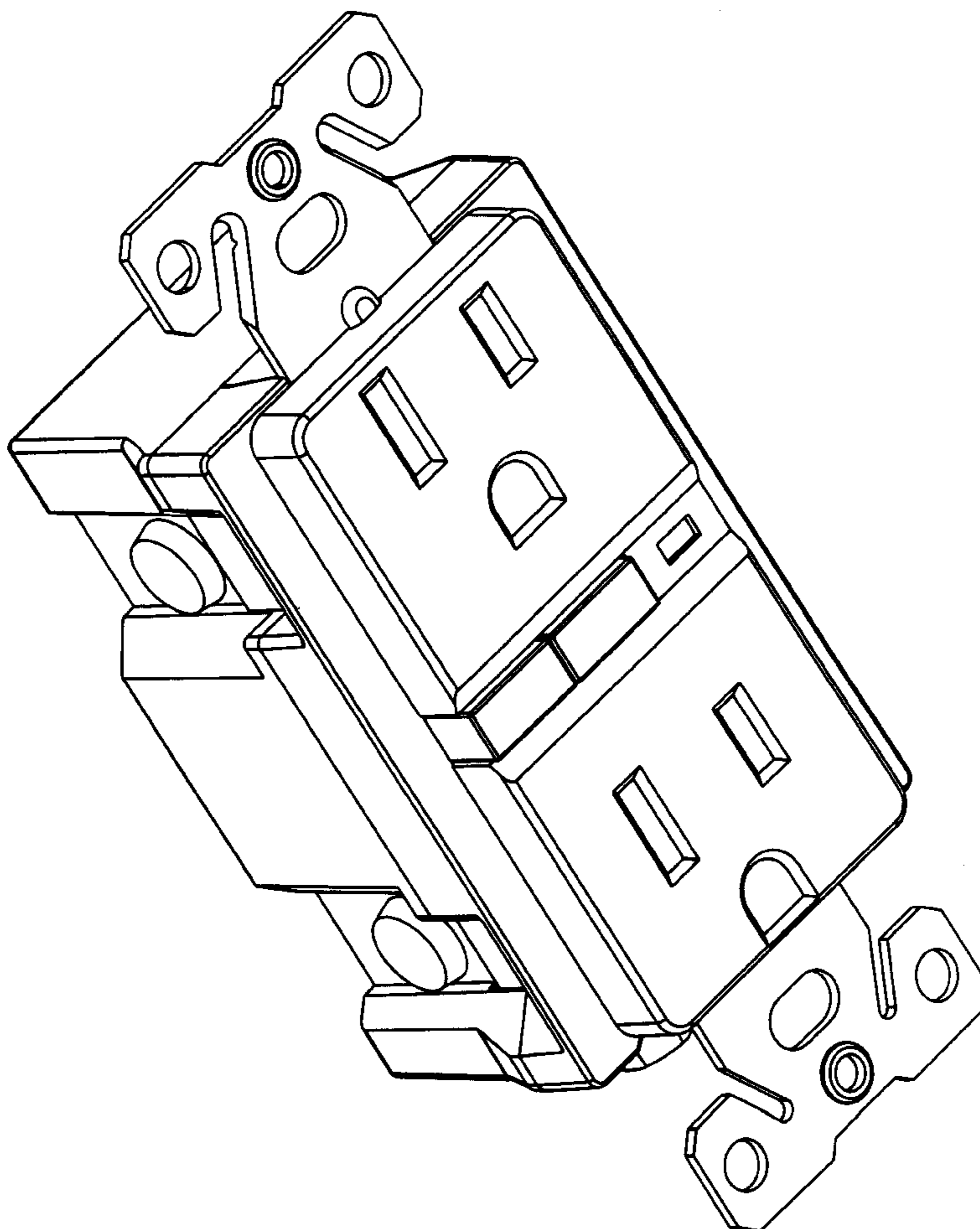
- D. 269,510 6/1983 Doyle et al. D13/139.3
- D. 419,531 1/2000 Keung et al. D13/160
- 4,019,797 4/1977 Praml 439/107

FIG. 6 is a right side view of the protective electrical receptacle;

FIG. 7 is a front view of the protective electrical receptacle; and,

FIG. 8 is a rear view of the protective electrical receptacle.

1 Claim, 8 Drawing Sheets



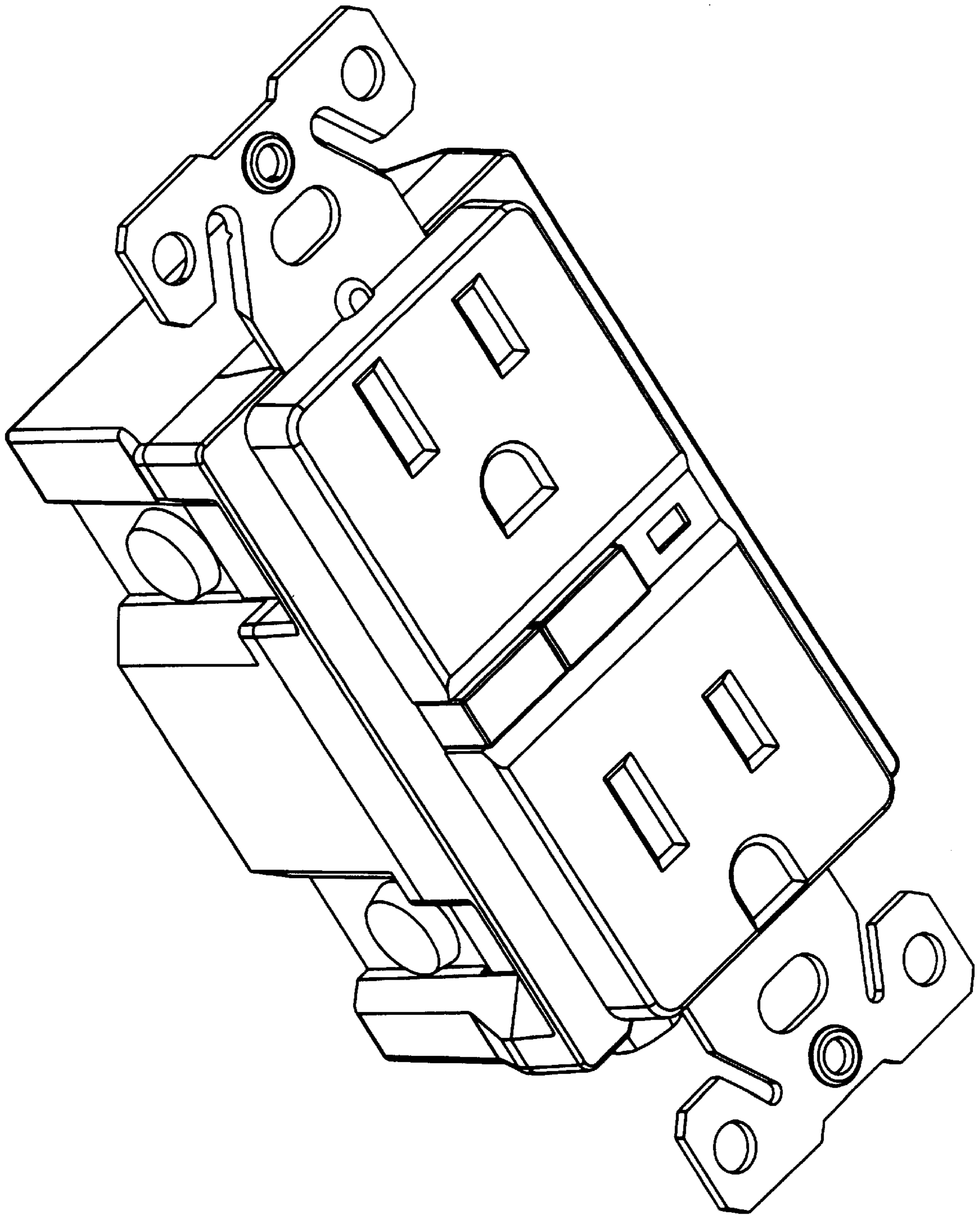


FIG. 1

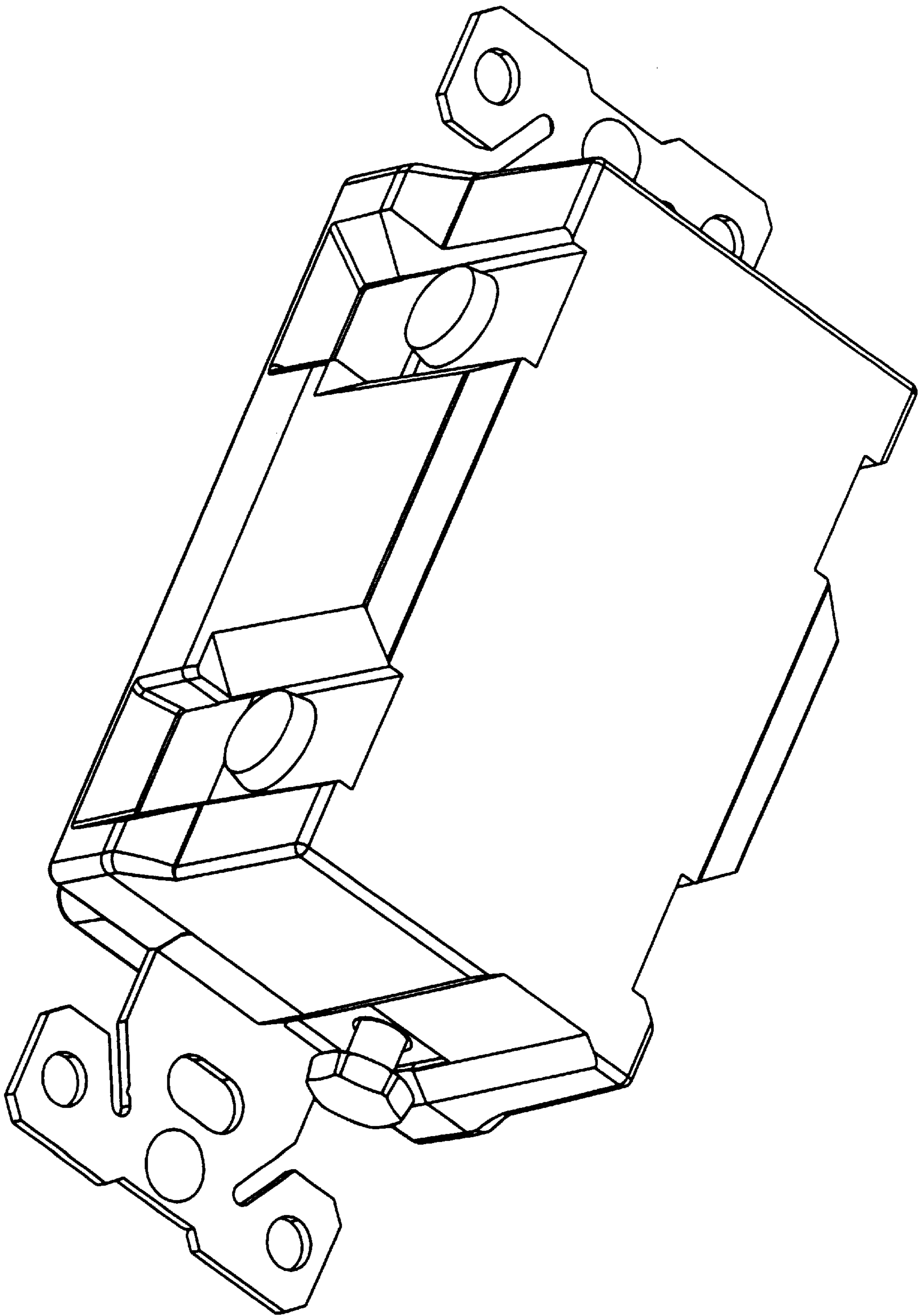


FIG. 2

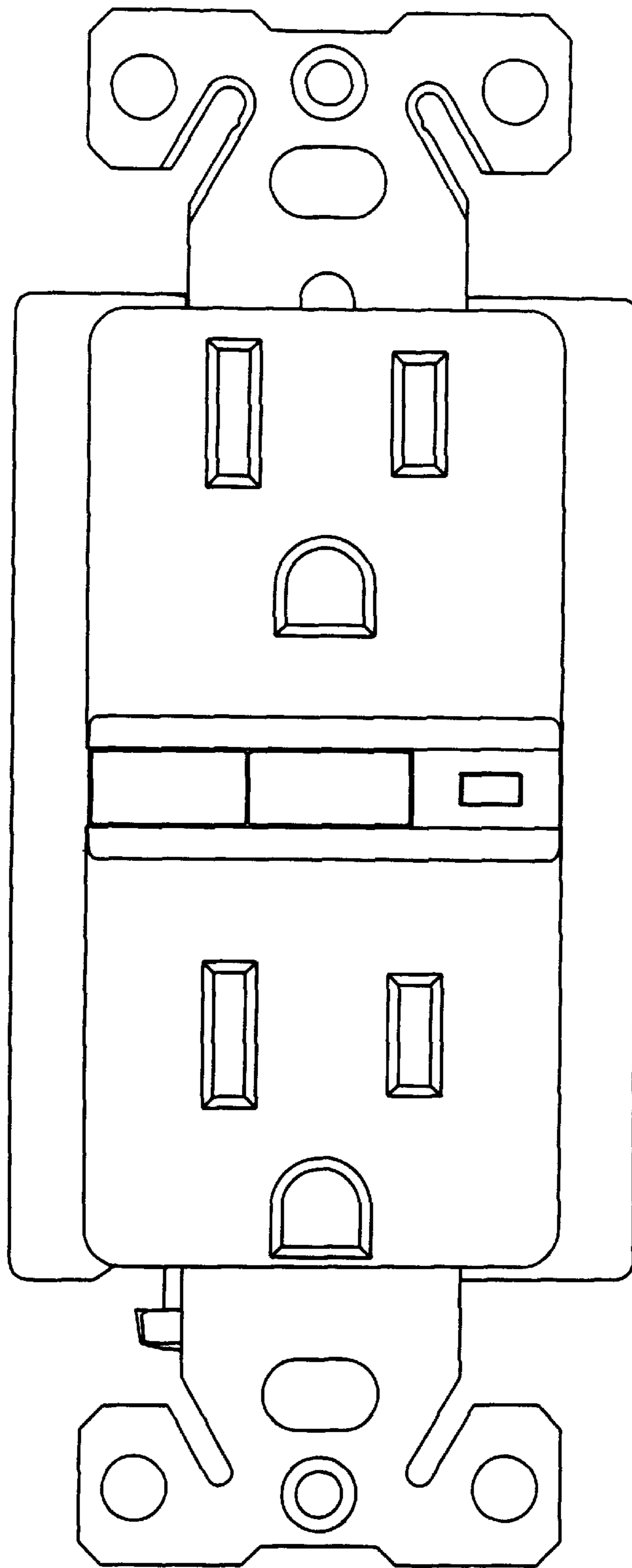


FIG. 3

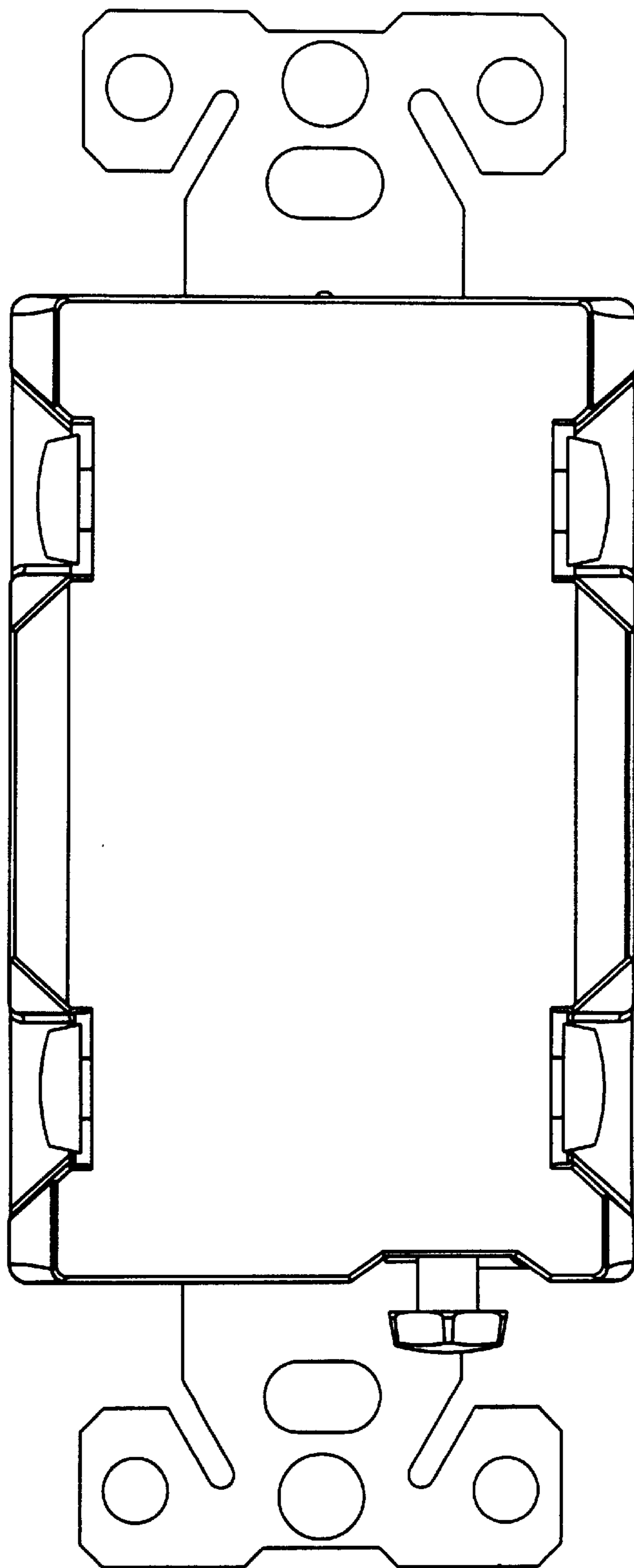


FIG. 4

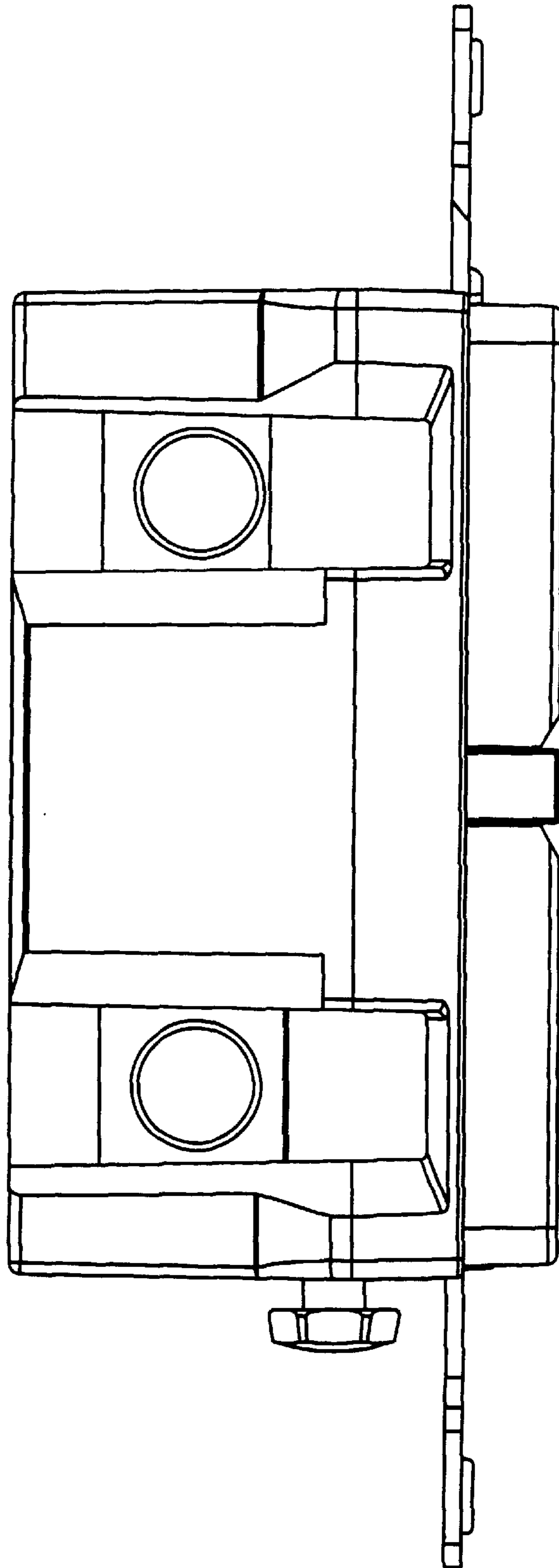


FIG. 5

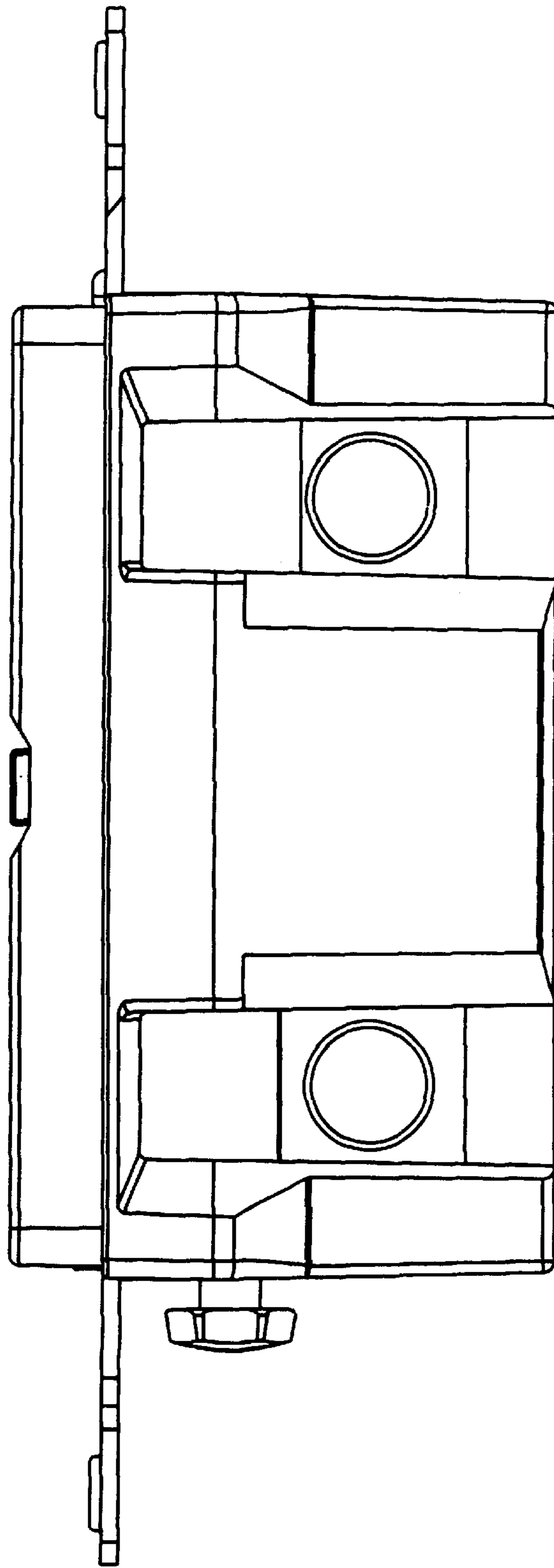


FIG. 6

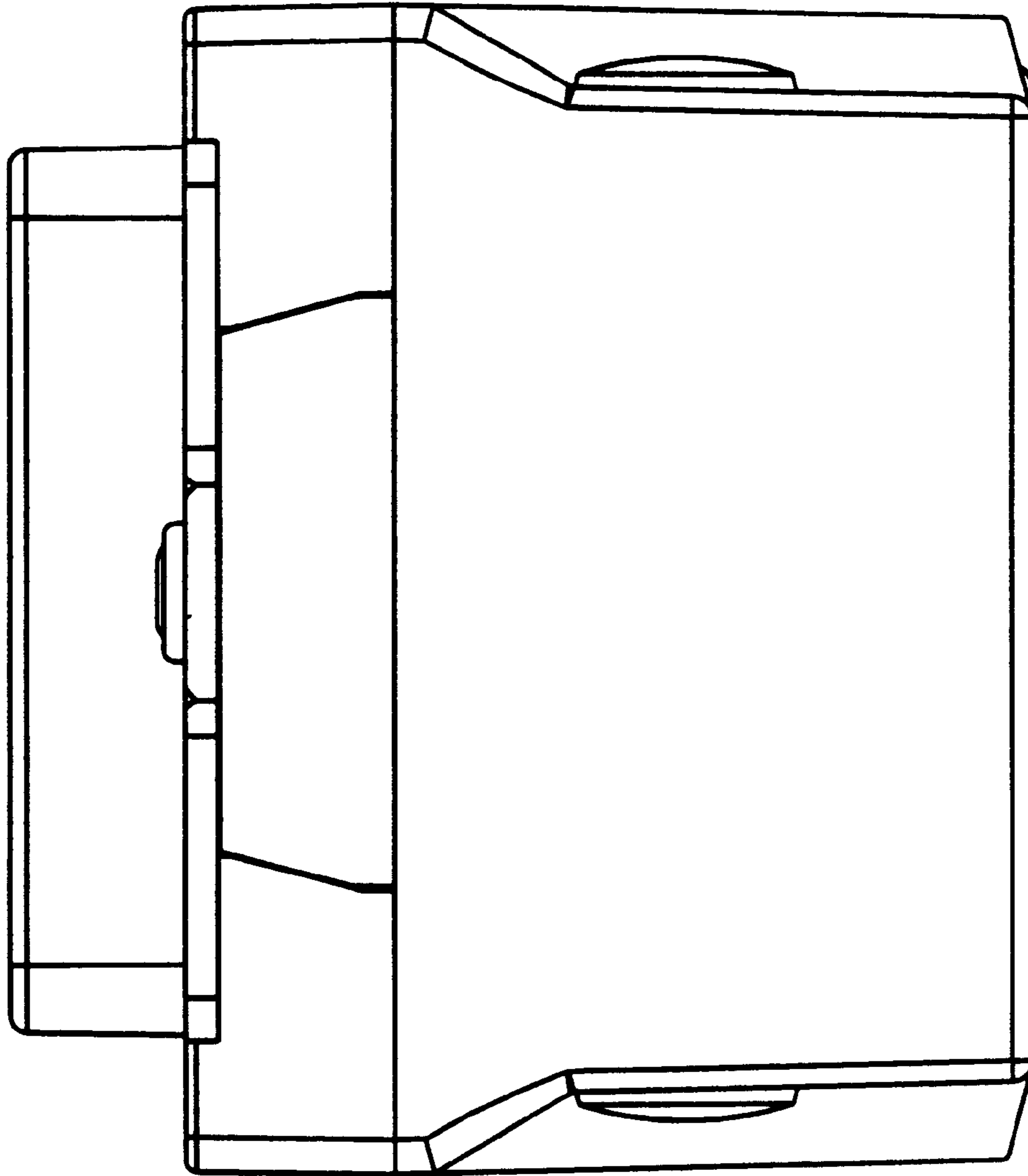


FIG. 7

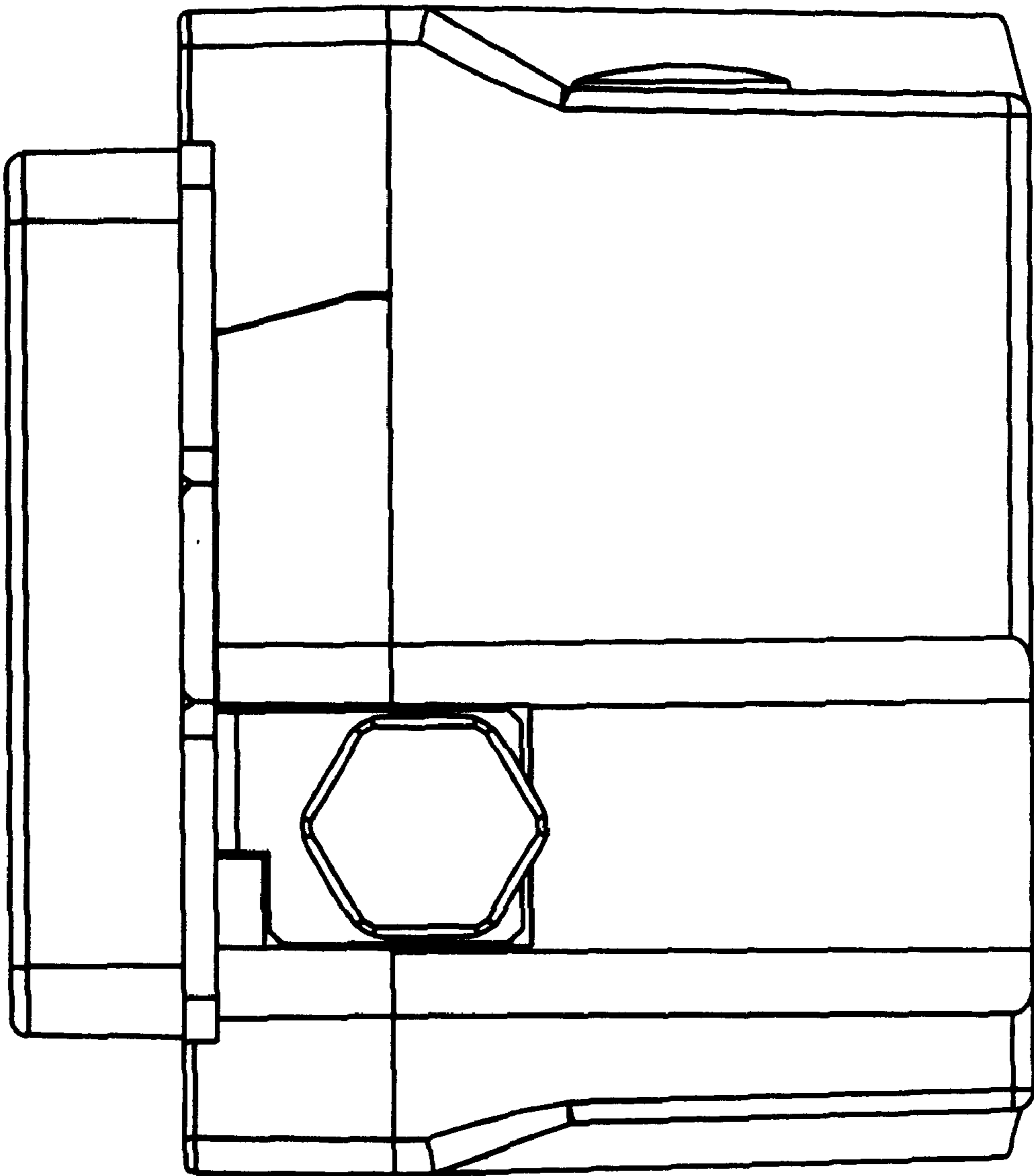


FIG. 8