



US00D430538S

United States Patent [19]

Kawakita et al.

[11] Patent Number: Des. 430,538

[45] Date of Patent: ** Sep. 5, 2000

[54] BATTERY CHARGER

5,874,723 2/1999 Hasegawa et al. 320/115 X

[75] Inventors: **Kozo Kawakita; Takeshi Yamagishi; Tsutomu Tsuchiya**, all of Tokyo; **Toru Imai; Nobuyuki Fukui**, both of Nagano, all of Japan

FOREIGN PATENT DOCUMENTS
DM/41 388 12/1997 WIPO .

[73] Assignee: **Sony Corporation**, Japan

OTHER PUBLICATIONS

Catalog "88", p. 158, (Mar. 1998).

[**] Term: **14 Years**

Primary Examiner—Joel Sincavage
Attorney, Agent, or Firm—Rader, Fishman & Grauer

[21] Appl. No.: **29/106,121**

[57] CLAIM

[22] Filed: **Jun. 8, 1999**

The ornamental design for a battery charger, as shown and described.

[51] LOC (7) Cl. **13-02**

DESCRIPTION

[52] U.S. Cl. **D13/107**

[58] Field of Search D13/107, 108, D13/118; D14/251, 253; 320/110-115

FIG. 1 is a perspective view of a battery charger showing our new design;

FIG. 2 is a top plan view thereof;

FIG. 3 is a left side elevational view thereof;

FIG. 4 is a front elevational view thereof;

FIG. 5 is a bottom plan view thereof;

FIG. 6 is a right side elevational view thereof; and,

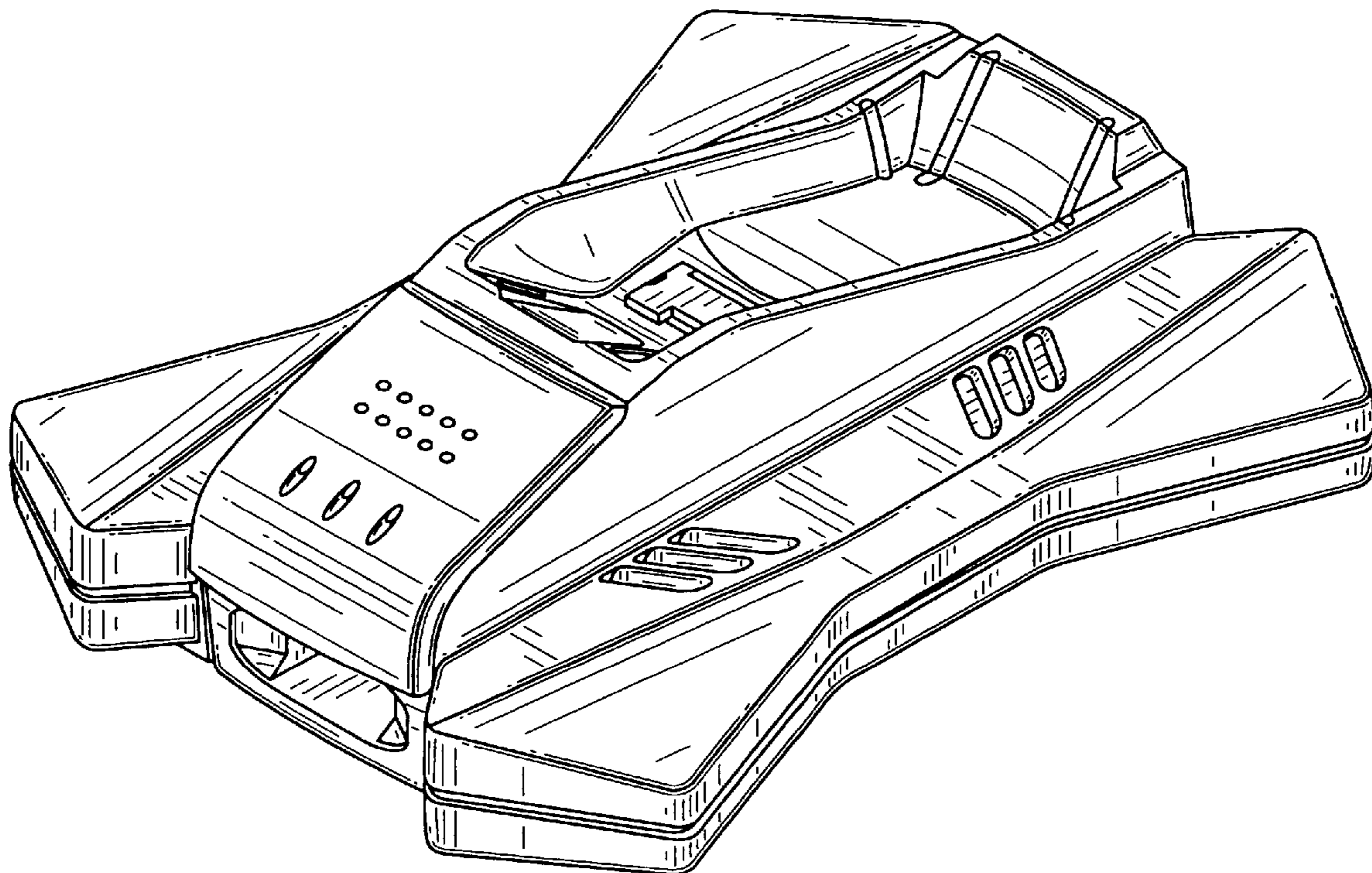
FIG. 7 is a rear elevational view thereof.

[56] References Cited

U.S. PATENT DOCUMENTS

D. 284,958	8/1986	Tsuji	D13/108
D. 368,098	3/1996	Su	D13/108 X
D. 408,406	4/1999	Shindo	D14/149
5,220,270	6/1993	Peickert	320/107

1 Claim, 7 Drawing Sheets



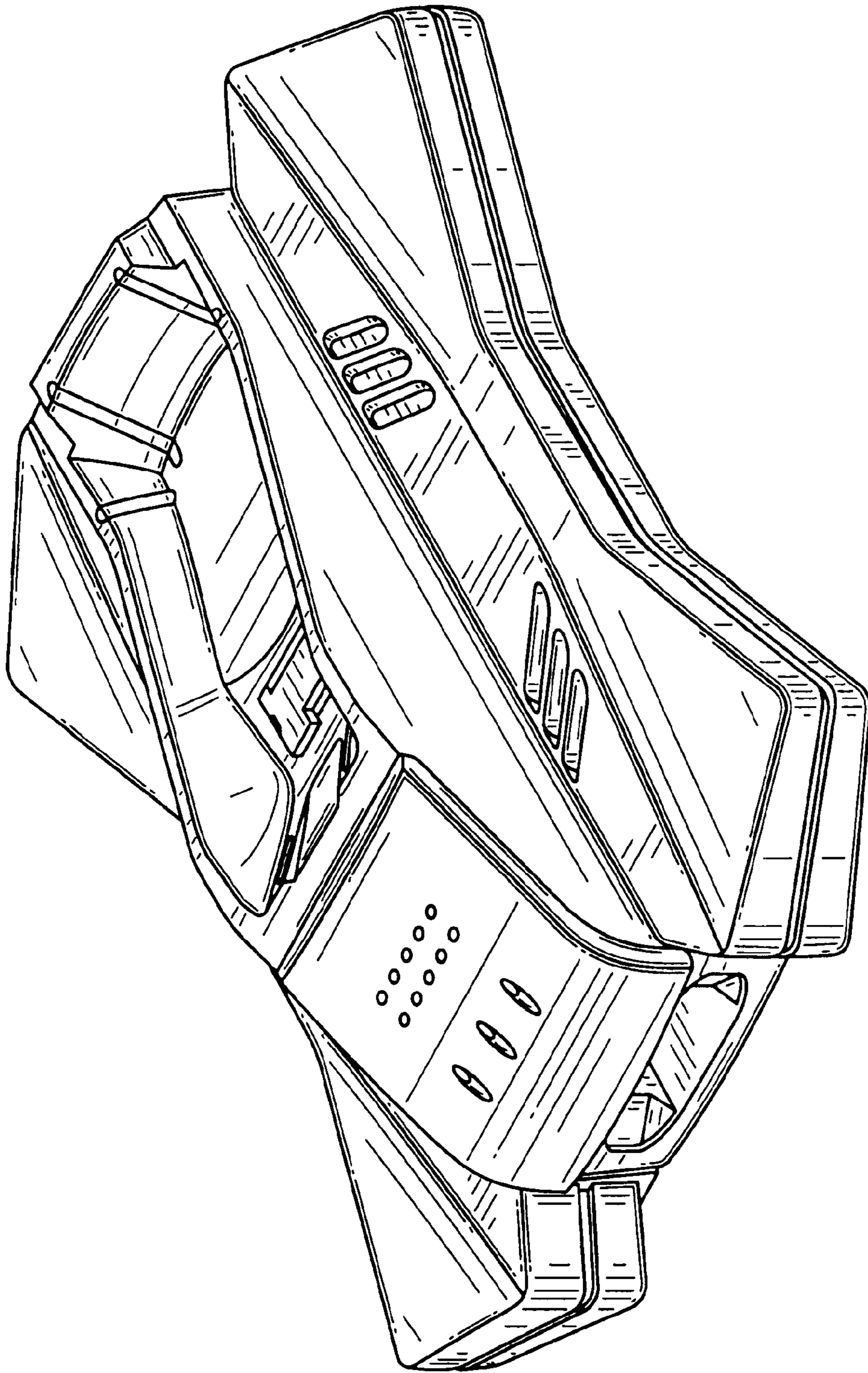


FIG. 1

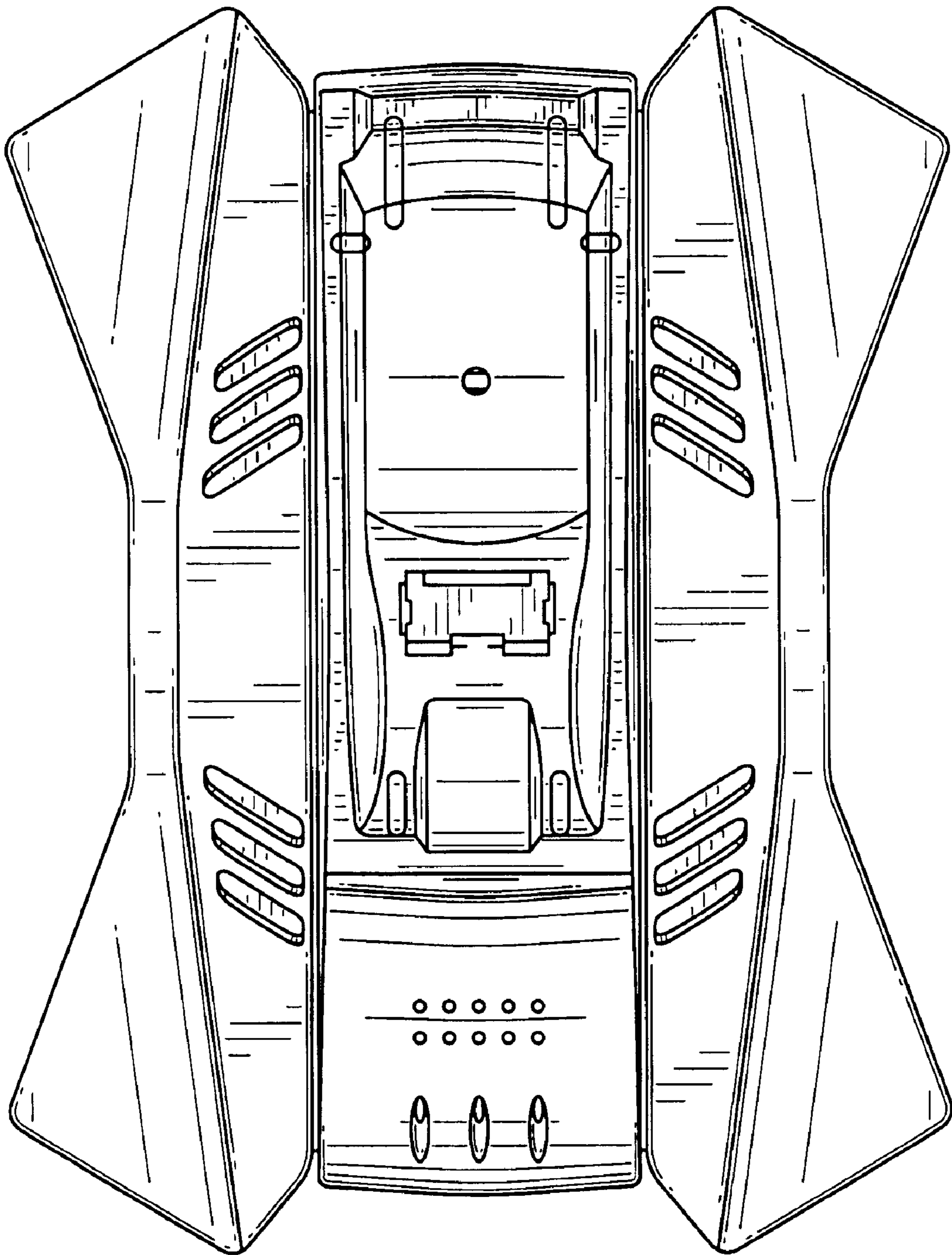


FIG. 2

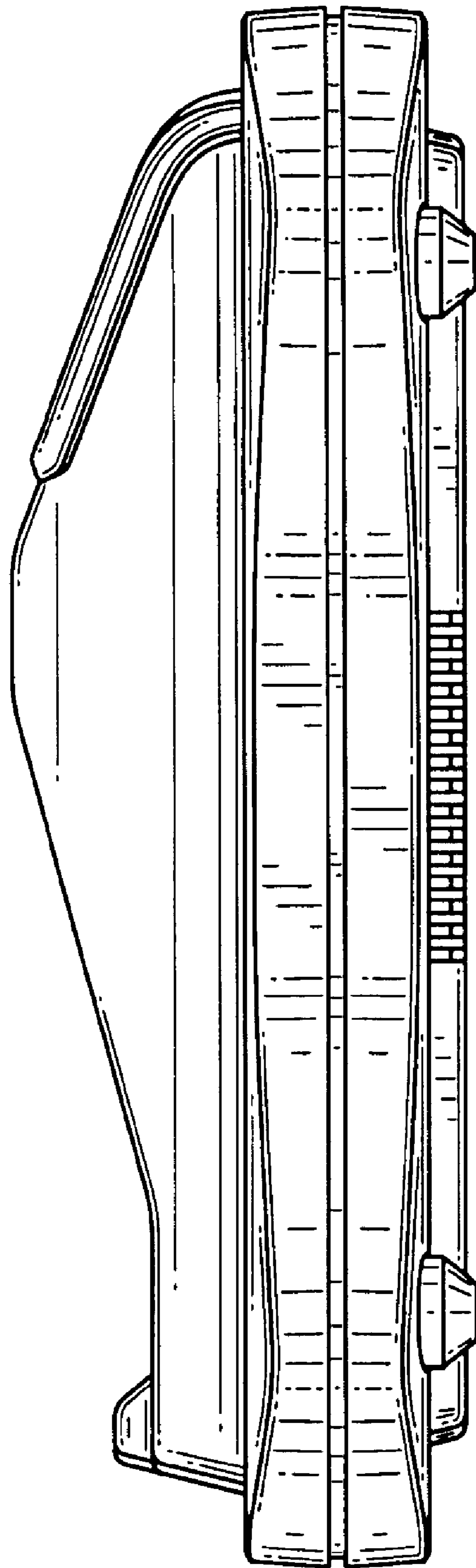


FIG. 3

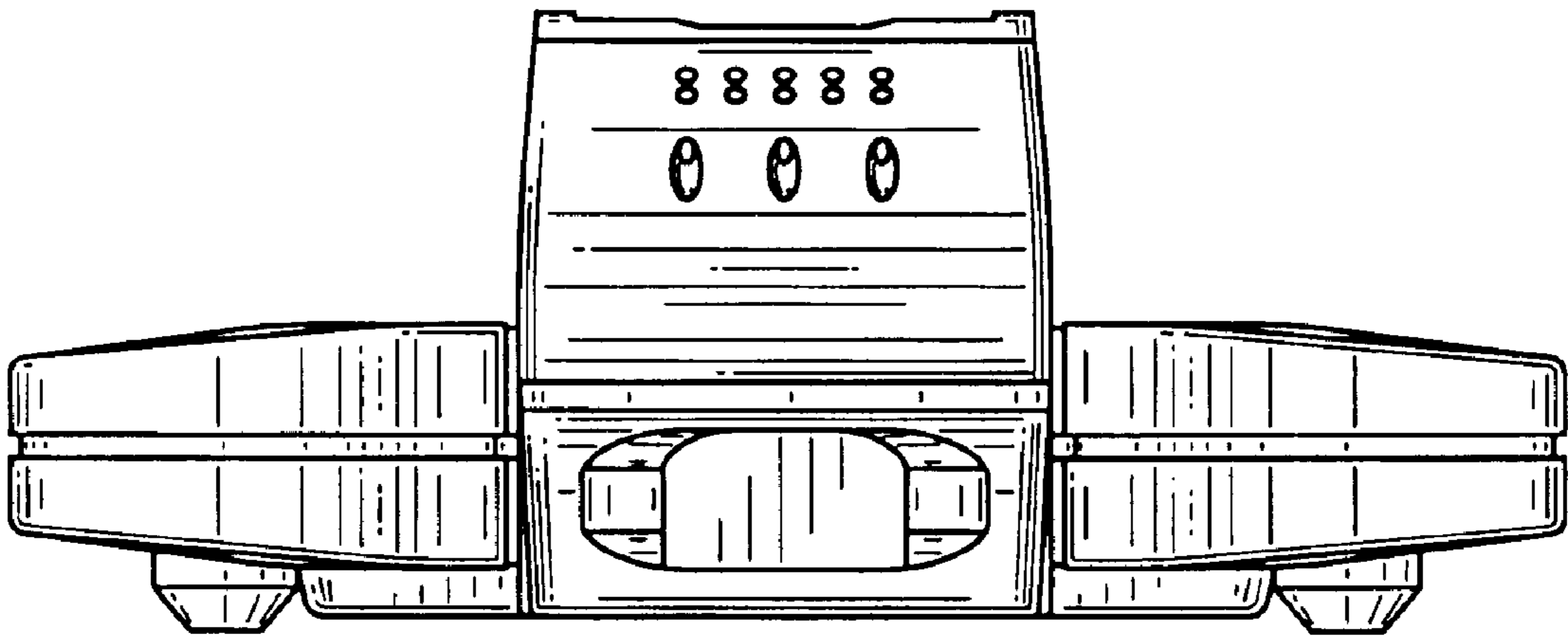


FIG. 4

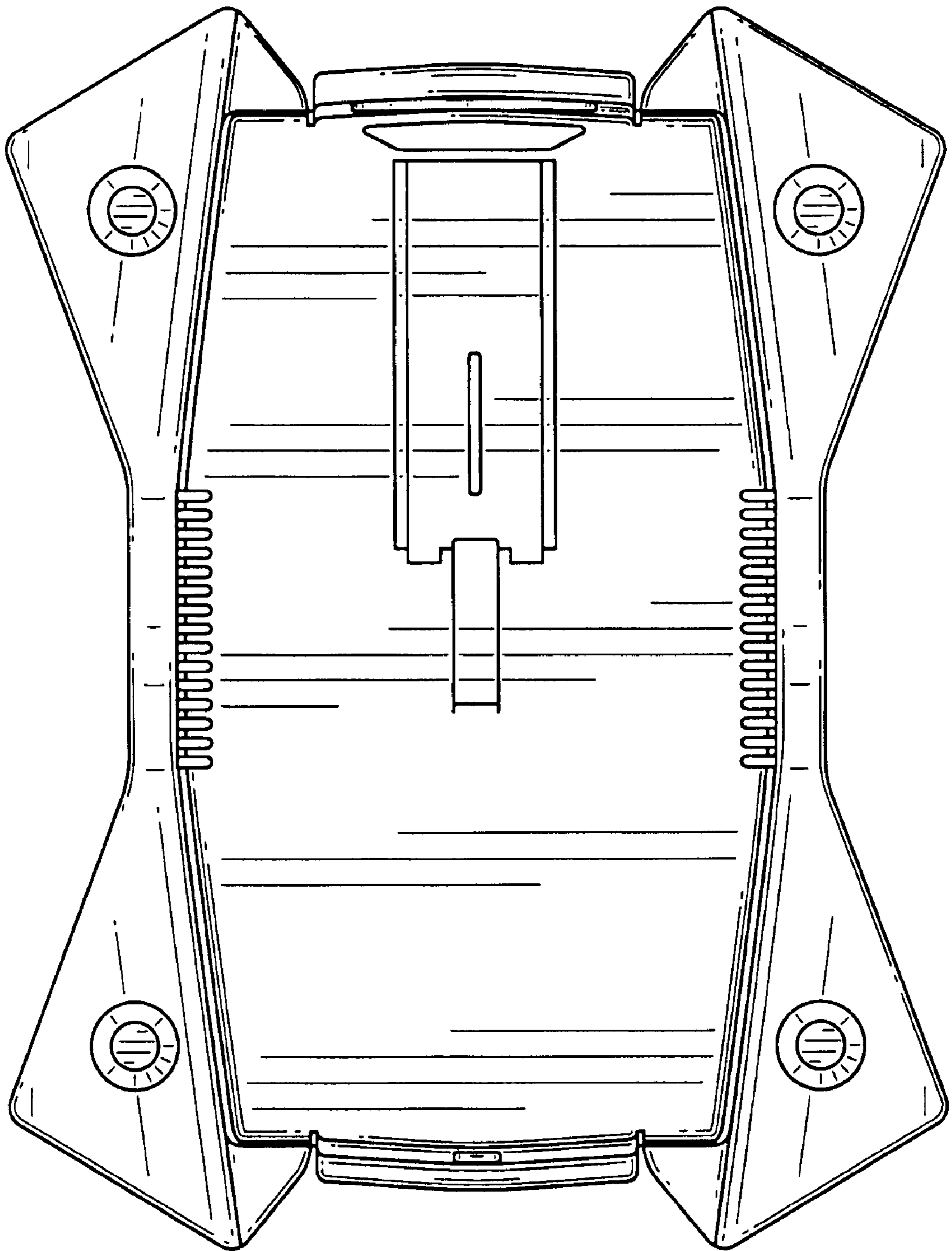


FIG. 5

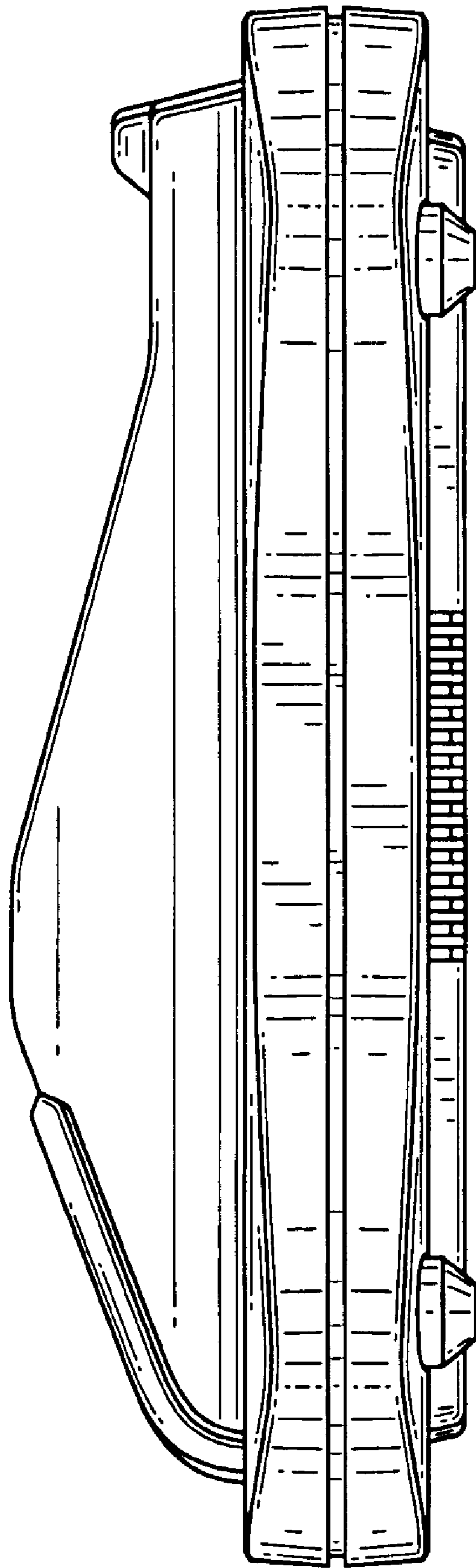


FIG. 6

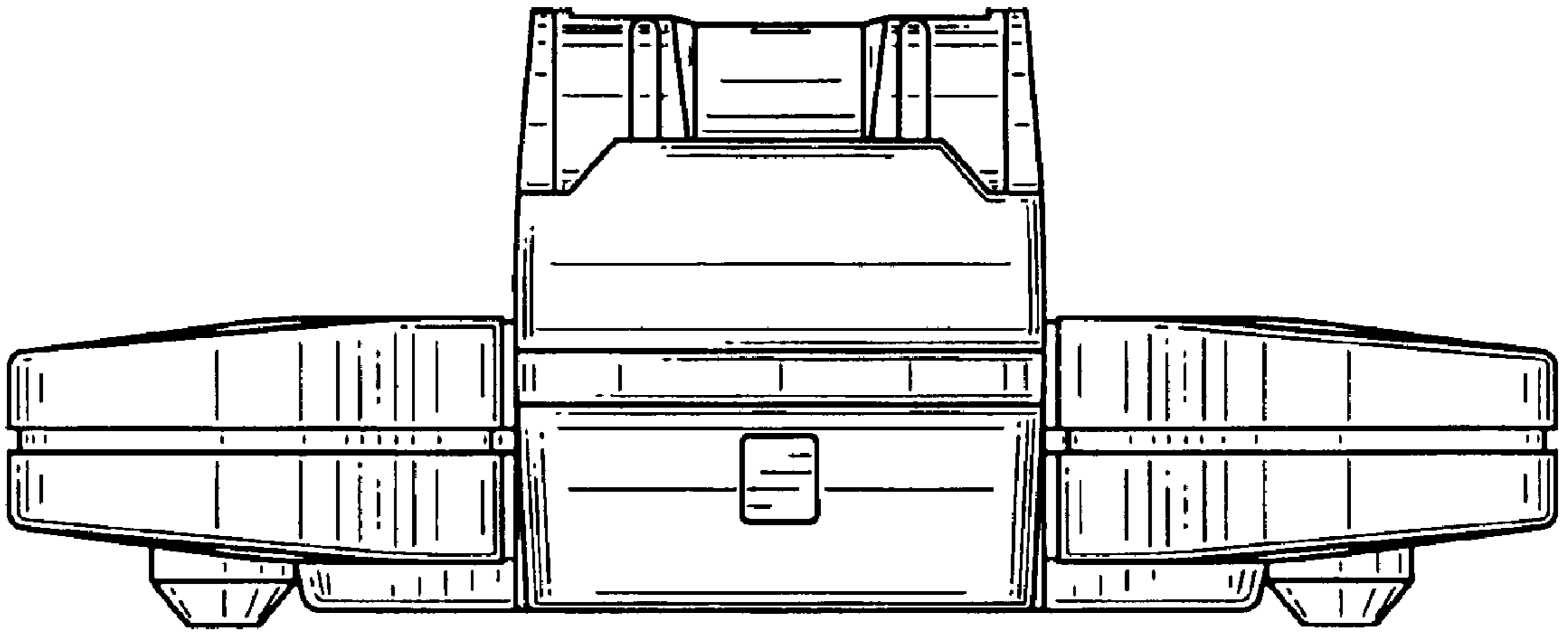


FIG. 7