

US00D430535S

United States Patent [19] Smith

[11] **Patent Number: Des. 430,535**

[45] **Date of Patent: ** Sep. 5, 2000**

- [54] **CONSOLE FOR VAN VEHICLES**
- [75] Inventor: **Daniel G. Smith**, Grand Prairie, Tex.
- [73] Assignee: **Texas Saddlebags, Industries, Ltd**,
Arlington, Tex.
- [**] Term: **14 Years**
- [21] Appl. No.: **29/114,463**
- [22] Filed: **Nov. 24, 1999**
- [51] **LOC (7) Cl.** **12-16**
- [52] **U.S. Cl.** **D12/419; D12/424**
- [58] **Field of Search** D12/415, 419,
D12/421-425; 296/37.1-37.8, 37.12-37.16;
224/42.11, 539-543, 400, 926, 536, 928,
548, 275

- D. 363,698 10/1995 Smith D12/419
- D. 368,890 4/1996 Morris D12/419
- D. 370,887 6/1996 Duguid D12/424
- D. 374,857 10/1996 Diem D12/419
- D. 375,480 11/1996 Smith D12/419
- D. 375,931 11/1996 Ferrigan D12/419
- D. 397,083 8/1998 Smith D12/419
- D. 399,483 10/1998 Paredes, Jr. D12/424
- D. 408,349 4/1999 Smith D12/424

Primary Examiner—Stacia Cadmus
Attorney, Agent, or Firm—Daniel Rubin

[57] CLAIM

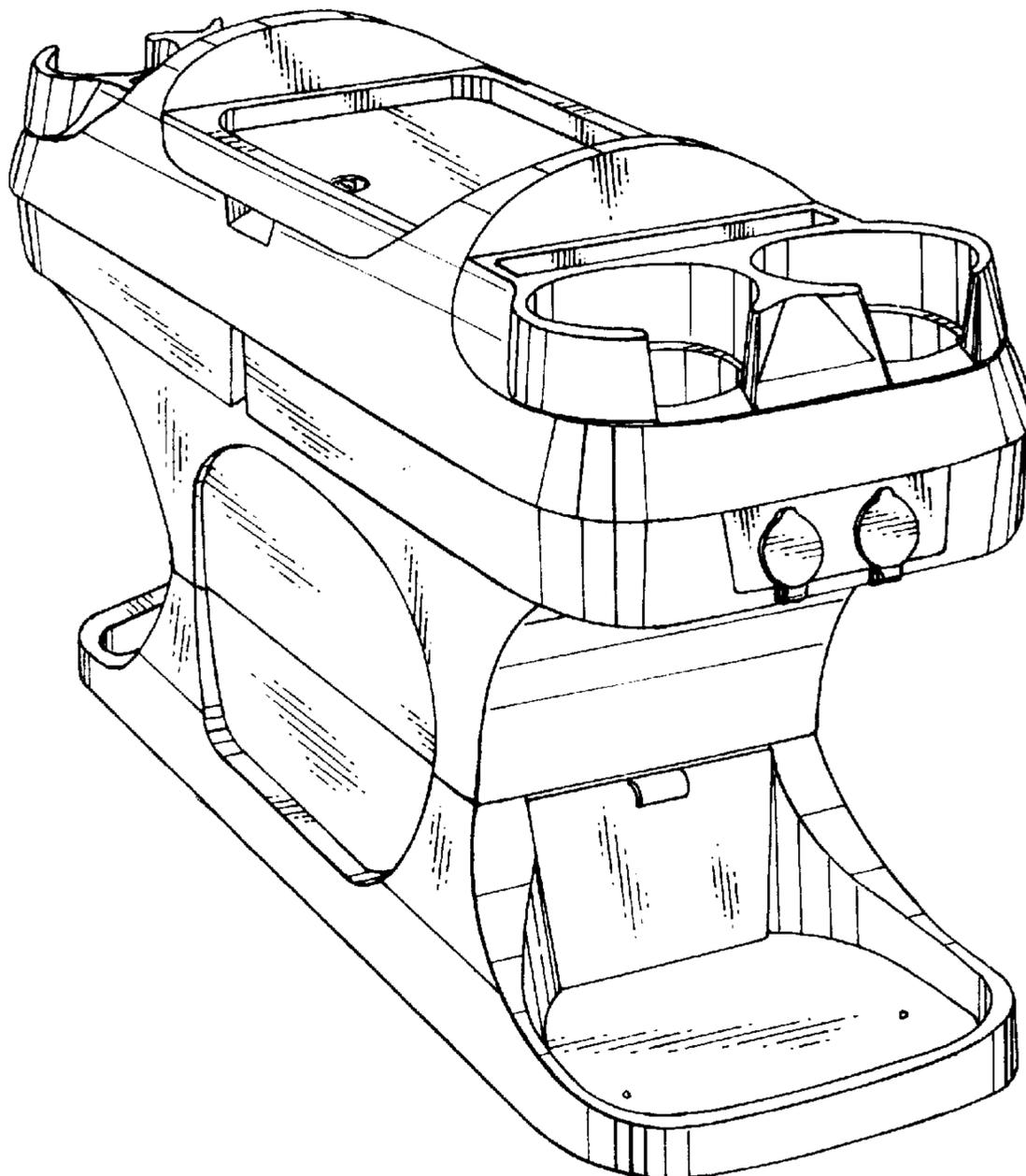
The ornamental design for a console for van vehicles, as shown and described.

DESCRIPTION

FIG. 1 is a left side perspective view of the console for van vehicles hereof showing my new design; FIG. 2 is a reduced left side elevational view thereof; FIG. 3 is a reduced front elevation view thereof; FIG. 4 is a reduced rear elevation view thereof; FIG. 5 is a reduced top plan view thereof; and, FIG. 6 is a reduced bottom plan view thereof.

1 Claim, 2 Drawing Sheets

- [56] **References Cited**
- U.S. PATENT DOCUMENTS**
- D. 271,634 12/1983 Rockwell D12/419
- D. 304,263 10/1989 Mull D12/419
- D. 352,495 11/1994 Mawhinney et al. D12/419
- D. 358,124 5/1995 Landry D12/423
- D. 359,266 6/1995 Karp et al. D12/419



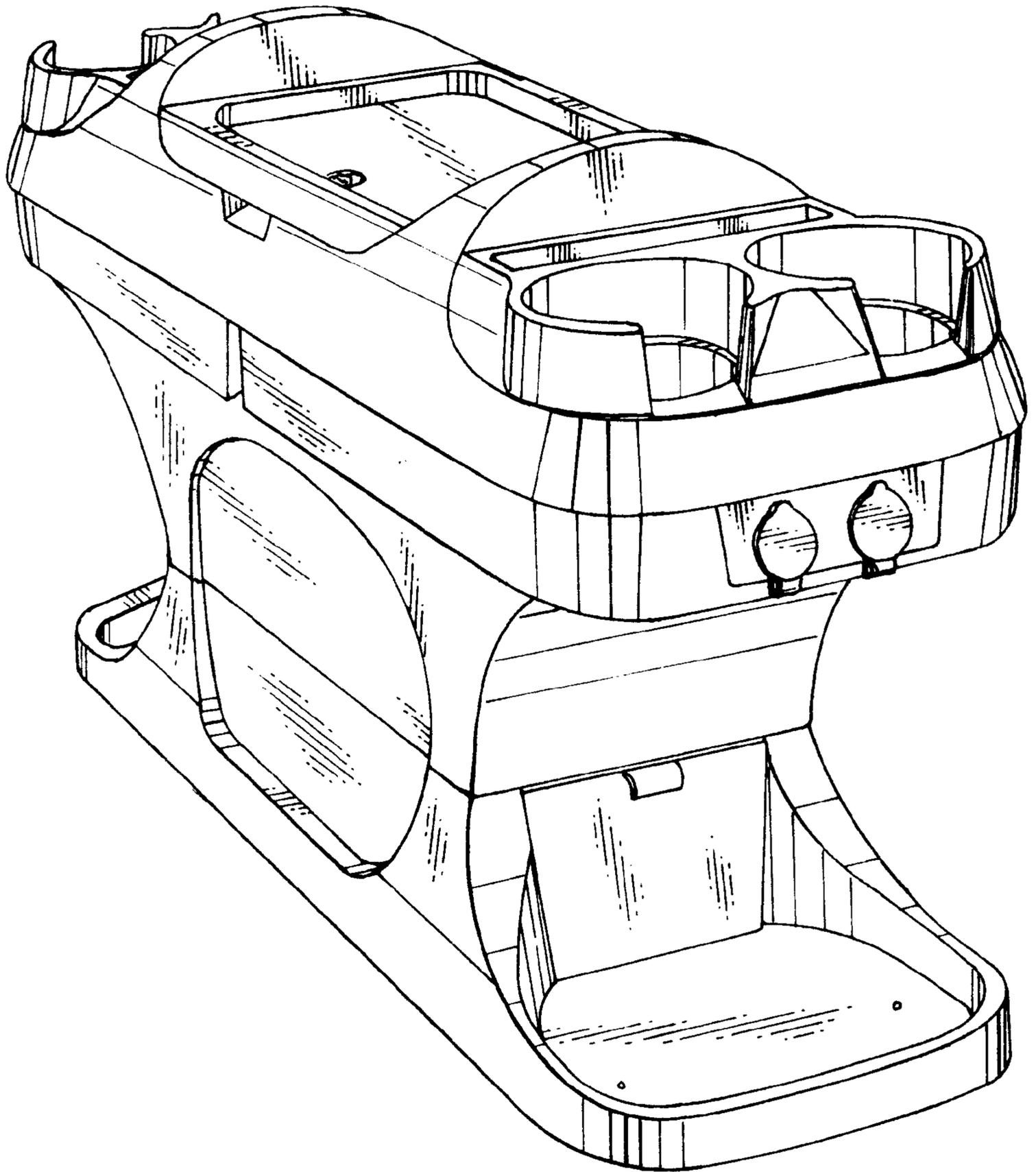


Fig. 1

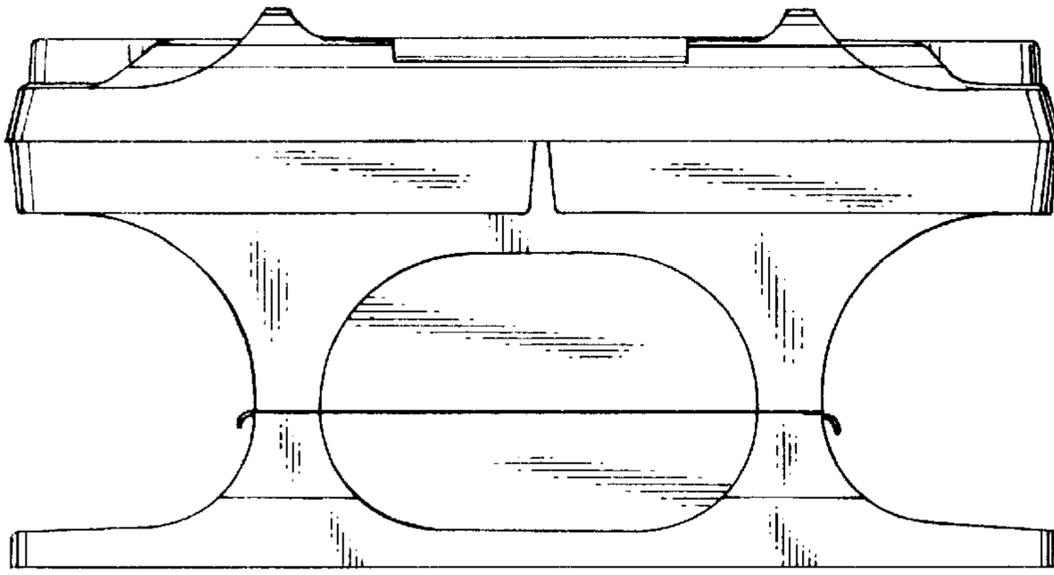


Fig. 2

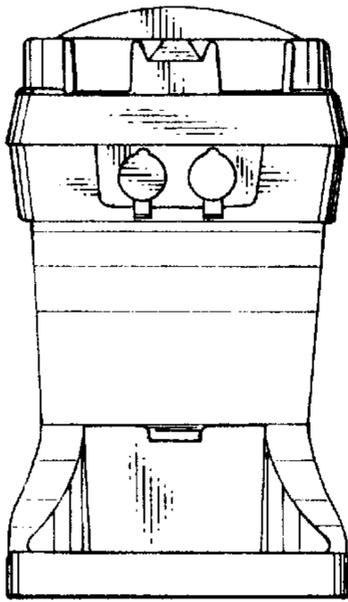


Fig. 3

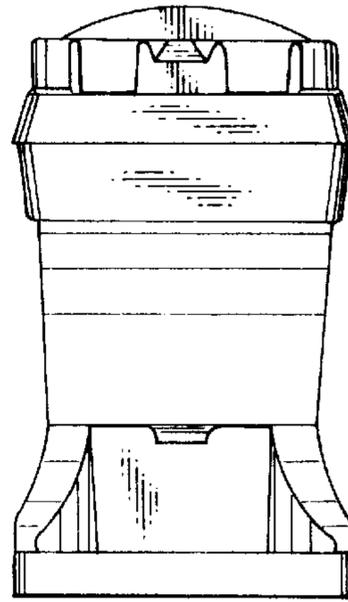


Fig. 4

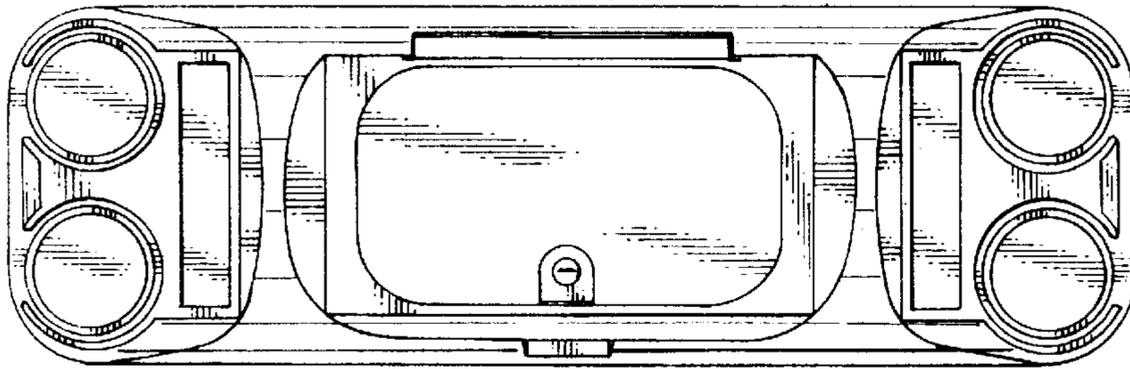


Fig. 5

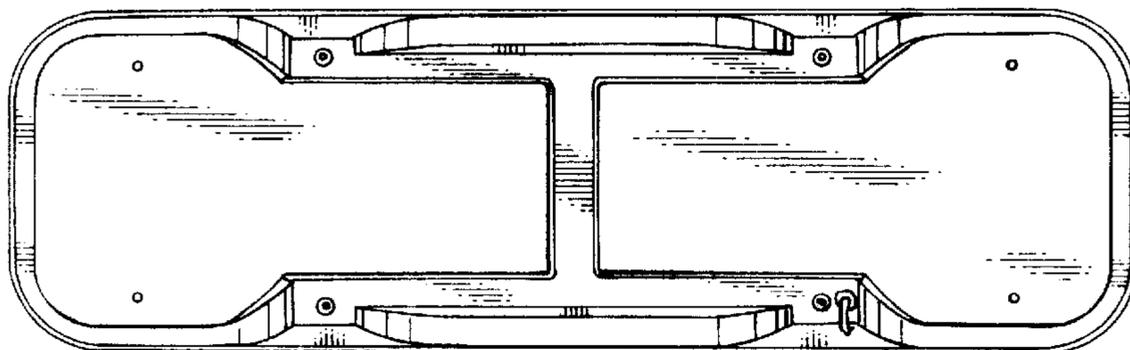


Fig. 6