



US00D430534S

# United States Patent [19] Golenz

[11] **Patent Number: Des. 430,534**

[45] **Date of Patent: \*\* Sep. 5, 2000**

[54] **AUTOMOTIVE BACKSEAT ORGANIZER**

[75] Inventor: **Douglas J. Golenz**, Louisville, Colo.

[73] Assignee: **Case Logic, Inc.**, Longmont, Colo.

[\*\*] Term: **14 Years**

[21] Appl. No.: **29/114,517**

[22] Filed: **Nov. 24, 1999**

[51] **LOC (7) Cl.** ..... **12-16**

[52] **U.S. Cl.** ..... **D12/416**

[58] **Field of Search** ..... D12/415, 416,  
D12/422, 424, 425; D6/611, 513-514, 553,  
556, 359, 336, 356; 224/42.11, 42.46, 275-276,  
277, 539; 296/37.15, 37.16; 297/191, 188-188.07,  
188.18, 163; D3/215, 216, 224-225

[56] **References Cited**

**U.S. PATENT DOCUMENTS**

D. 290,309	6/1987	Welch	.....	D12/416
D. 308,916	7/1990	Dinham	.....	D12/416
D. 312,349	11/1990	Pogue	.....	D12/416
D. 323,933	2/1992	Johnston	.....	D12/416
D. 324,953	3/1992	Swanner	.....	D12/416
D. 379,452	5/1997	Russell et al.	.....	D12/416
D. 389,115	1/1998	Alves et al.	.....	D12/416
D. 412,311	7/1999	Silvershein	.....	D12/416
D. 419,520	1/2000	Bergh	.....	D12/416
1,653,246	12/1927	Zichy	.	
5,046,433	9/1991	Kramer et al.	.....	108/44
5,269,229	12/1993	Akapatangkul	.....	108/44
5,411,192	5/1995	Xiao	.....	224/151
5,694,860	12/1997	Xiao	.	

**FOREIGN PATENT DOCUMENTS**

2 197 582	5/1988	United Kingdom	.....	A45F 3/04
236 945	4/1991	United Kingdom	.....	A45F 3/04

**OTHER PUBLICATIONS**

Axius Backpack-Style Backseat Organizer, Copyright 1996.  
Classic Accessories, Inc., Car Seat Organizer. (no date).  
On the Road Backseat Organizer. (no date).  
Samsonite Seat Back Organizer, H&L Products, Inc.,  
National City, CA 91950, Copyright 1997.  
BackPockets Car Organizer (no date).  
Axius Pocketeer Backseat Organizer, Model No. 50686,  
Copyright 1997.

Axius Pocketeer Backseat Organizer, Copyright 1996.  
Axius Premier-Pockets Backseat Organizer, Copyright  
1996.  
Axius Premier Pockets Backseat Organizer, Copyright 1998.  
Axius Combo Organizer, Model No. 50878, Copyright  
1998.  
Auto Smart Travel Smart by Franzus Auto Back Seat  
Organizer. (no date).  
Halfords Auto Buideltas Sac De Voiture Autositz-Beutelt-  
asche, Veenendaal, Holland. (no date).  
Cobbs Back Seat Organizer, Model No. 33609, Copyright  
1992-97.

*Primary Examiner*—Stacia Cadmus  
*Attorney, Agent, or Firm*—Sheridan Ross P.C.

[57] **CLAIM**

The ornamental design for an automotive backseat orga-  
nizer, as shown and described.

**DESCRIPTION**

FIG. 1 is a front perspective view of the automotive backseat organizer, showing my new design and including environ-  
ment, the dashed lines comprising no portion of the claimed design;

FIG. 2 is a reduced front elevation view of the automotive backseat organizer illustrated in FIG. 1;

FIG. 3 is a reduced top plan view of the automotive backseat organizer illustrated in FIG. 1;

FIG. 4 is a reduced bottom plan view of the automotive backseat organizer illustrated in FIG. 1;

FIG. 5 is a reduced left elevation view of the automotive backseat organizer illustrated in FIG. 1;

FIG. 6 is a reduced rear elevation view of the automotive backseat organizer illustrated in FIG. 1; and,

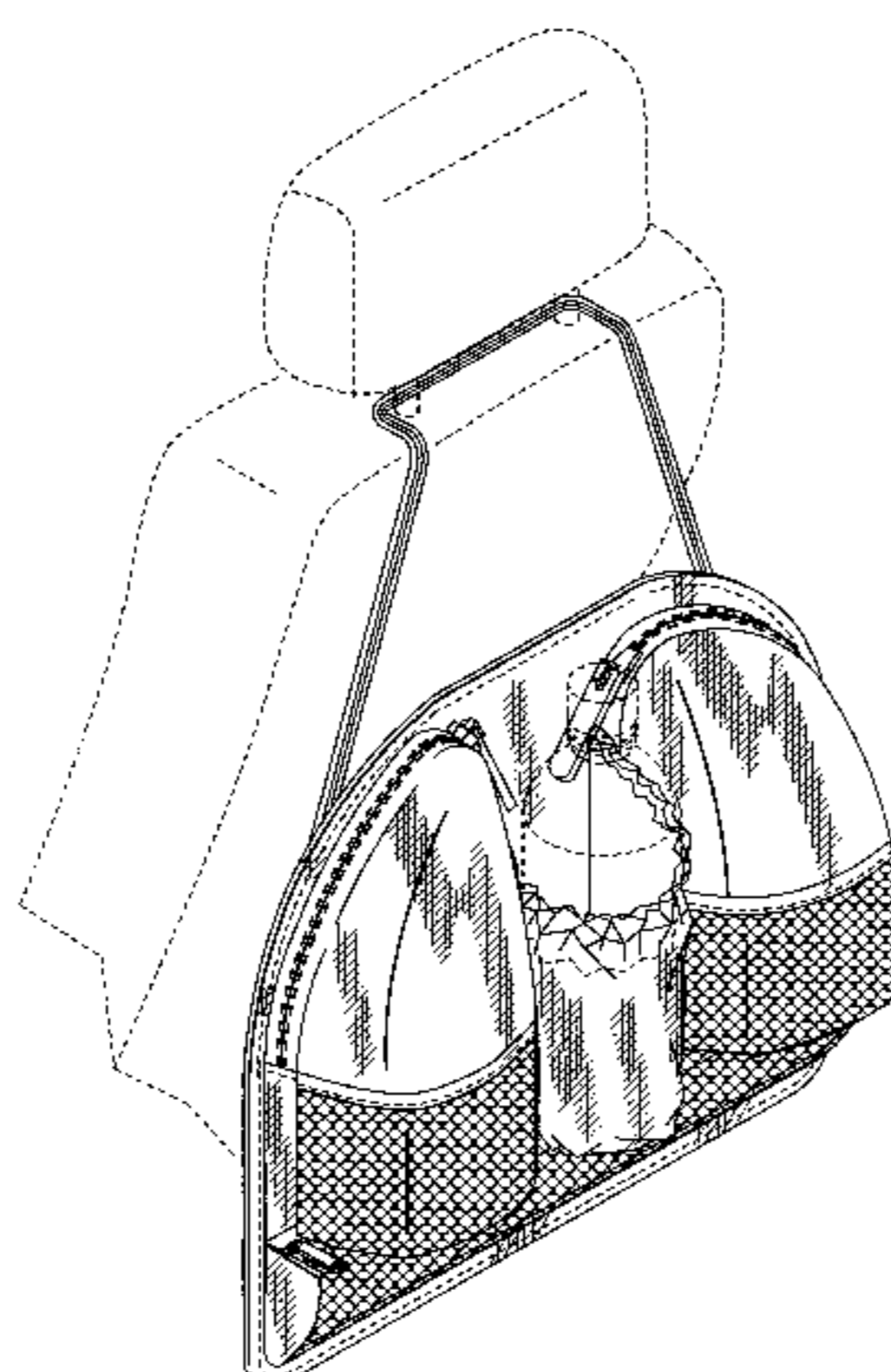
FIG. 7 is a reduced right elevation view of the automotive backseat organizer illustrated in FIG. 1.

The crisscross pattern on the lower half of the two compart-  
ments surrounding the center pocket and on the lower  
compartment FIGS. 1-5 and 7 is representative of mesh.

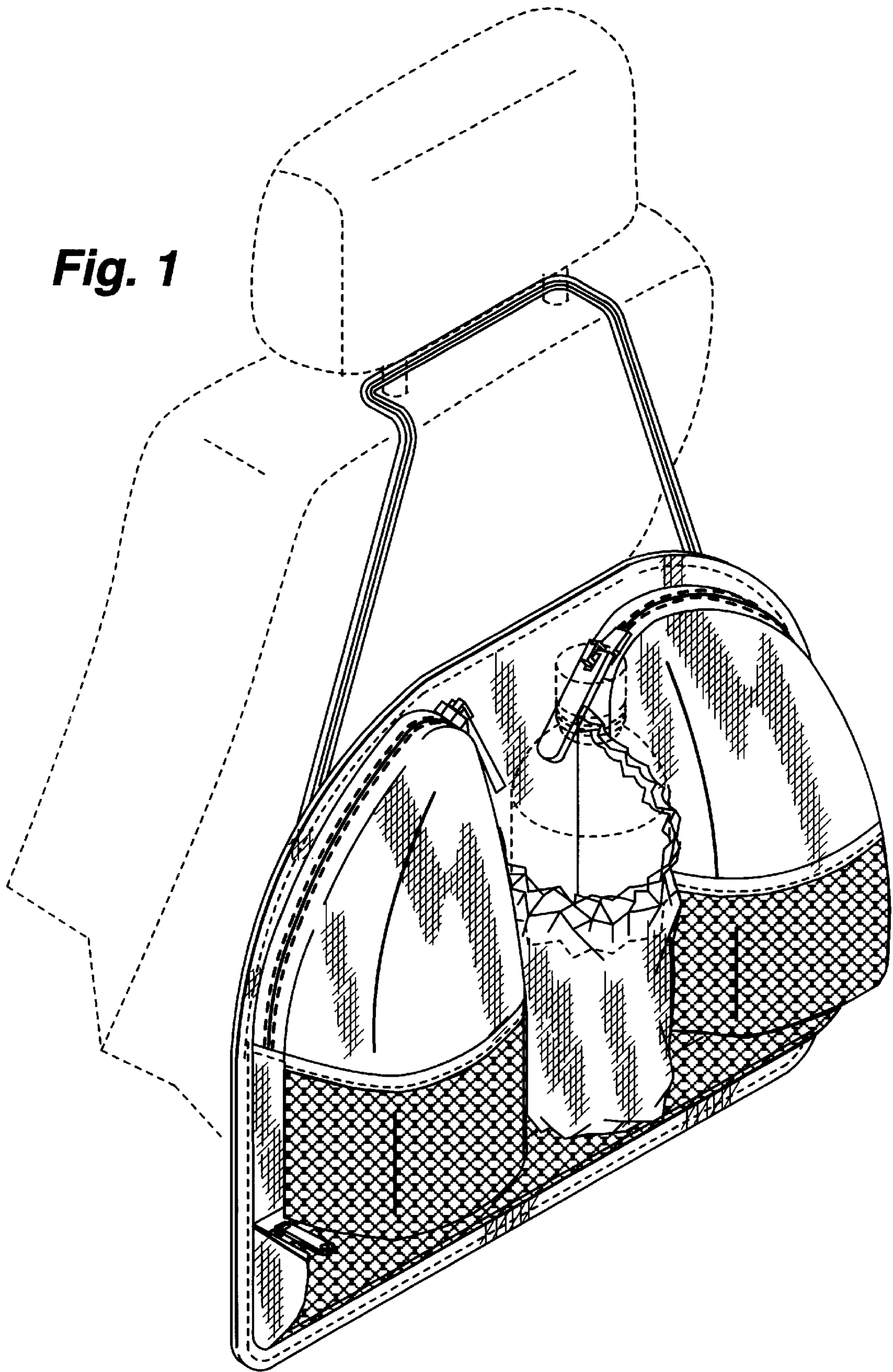
The dashed lines on the organizer in FIGS. 1, 2 and 6 are  
understood to represent stitching.

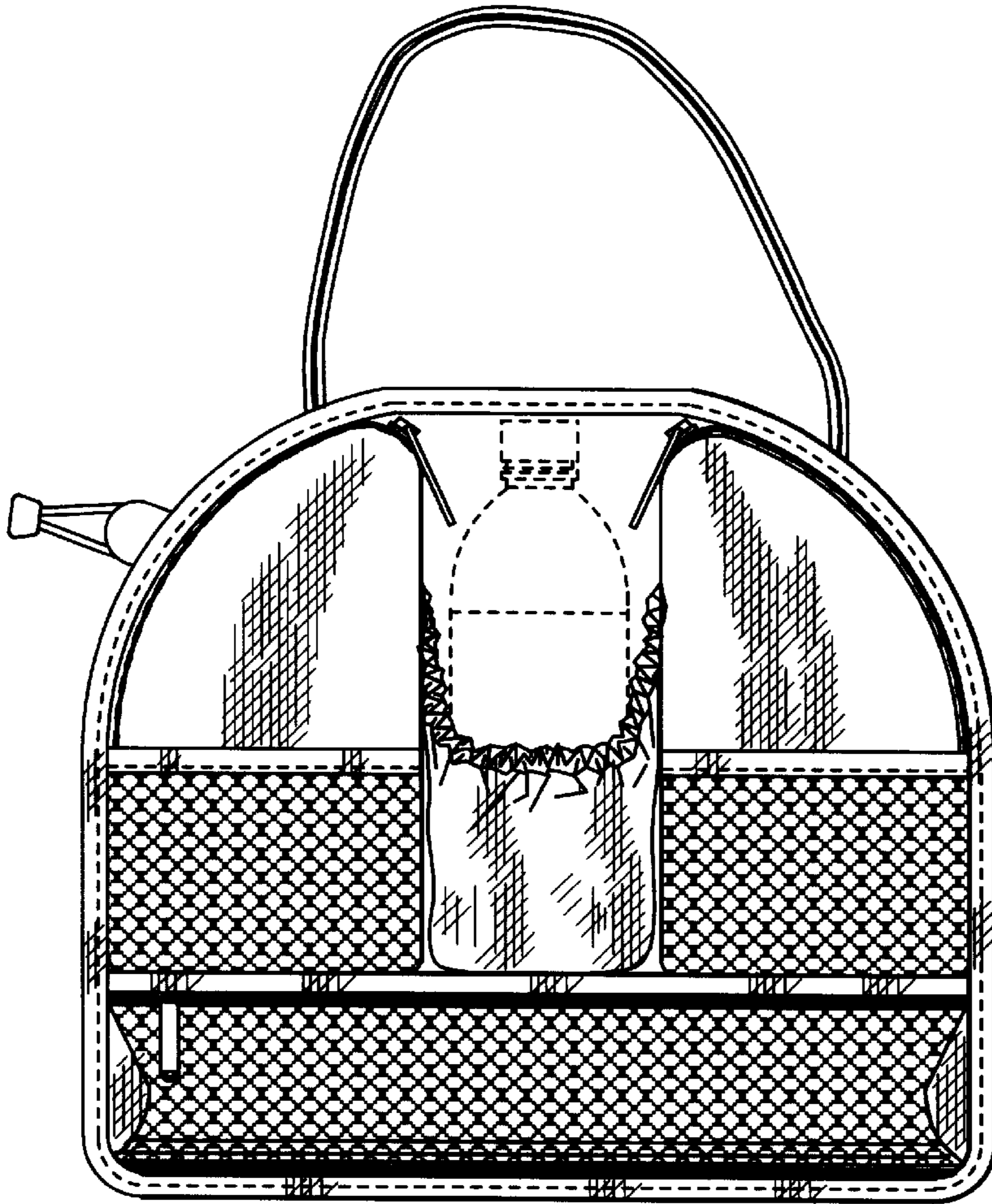
The broken line showing the environment in FIGS. 1-5 and  
7 is for illustrative purposes only and forms no part of the  
claimed design.

**1 Claim, 3 Drawing Sheets**

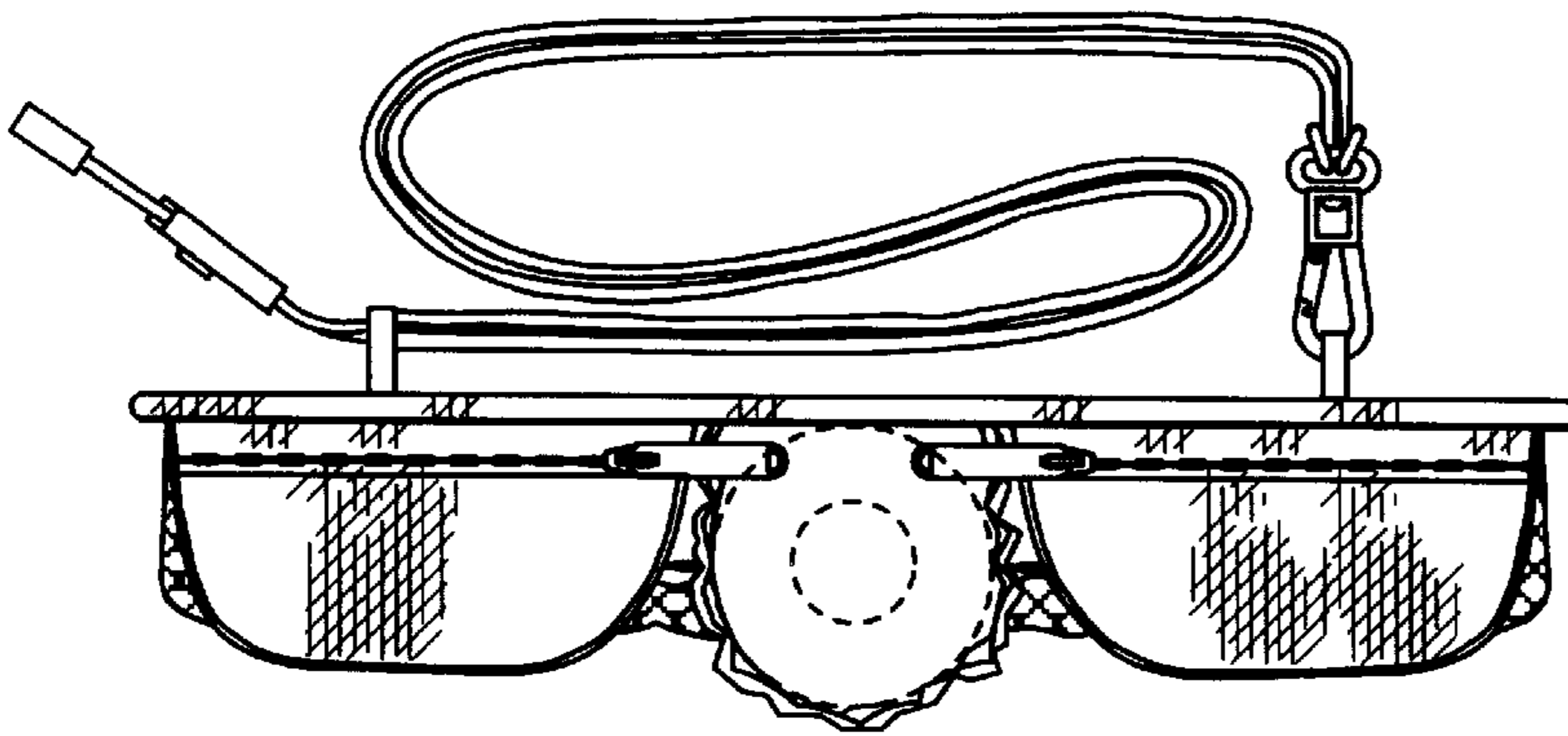


**Fig. 1**

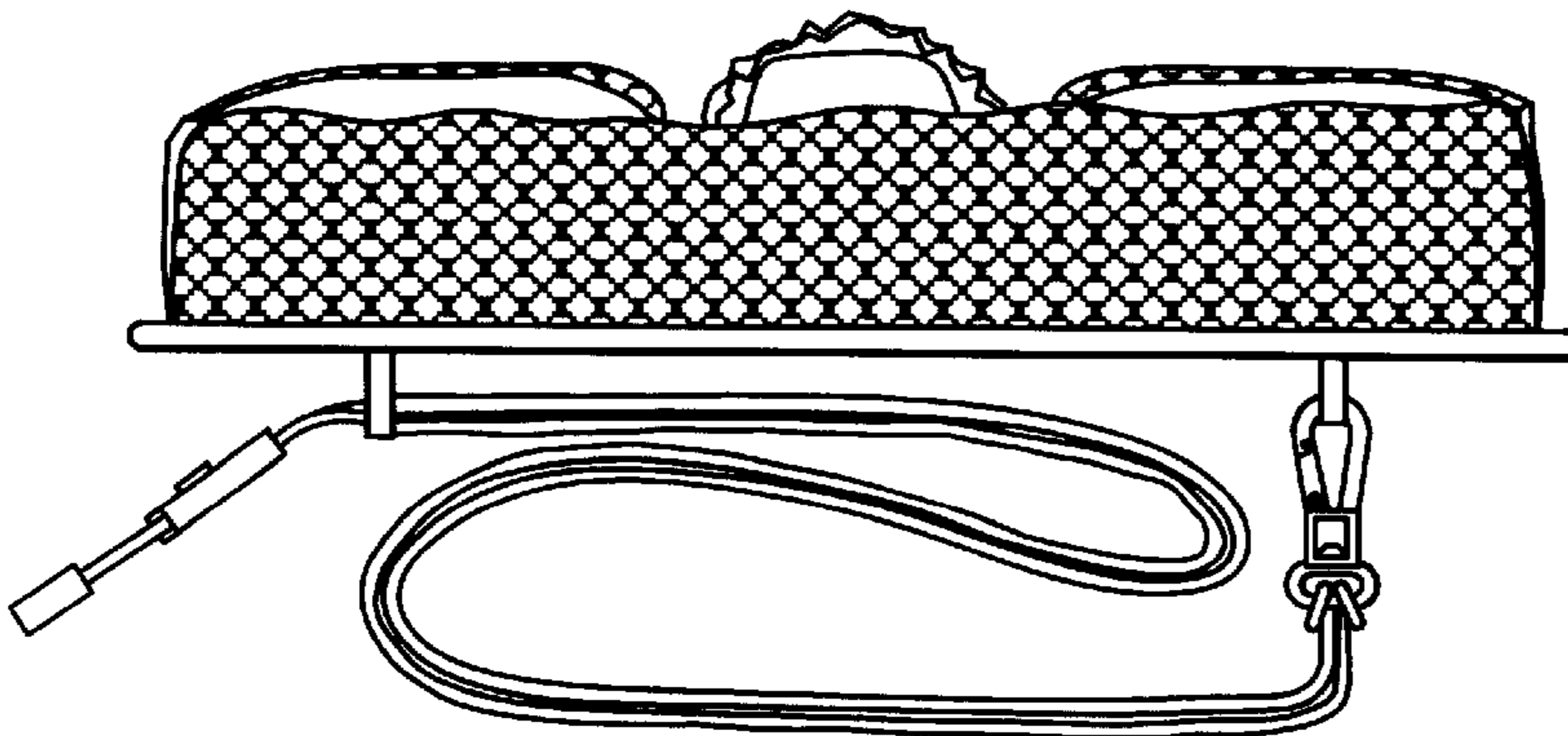




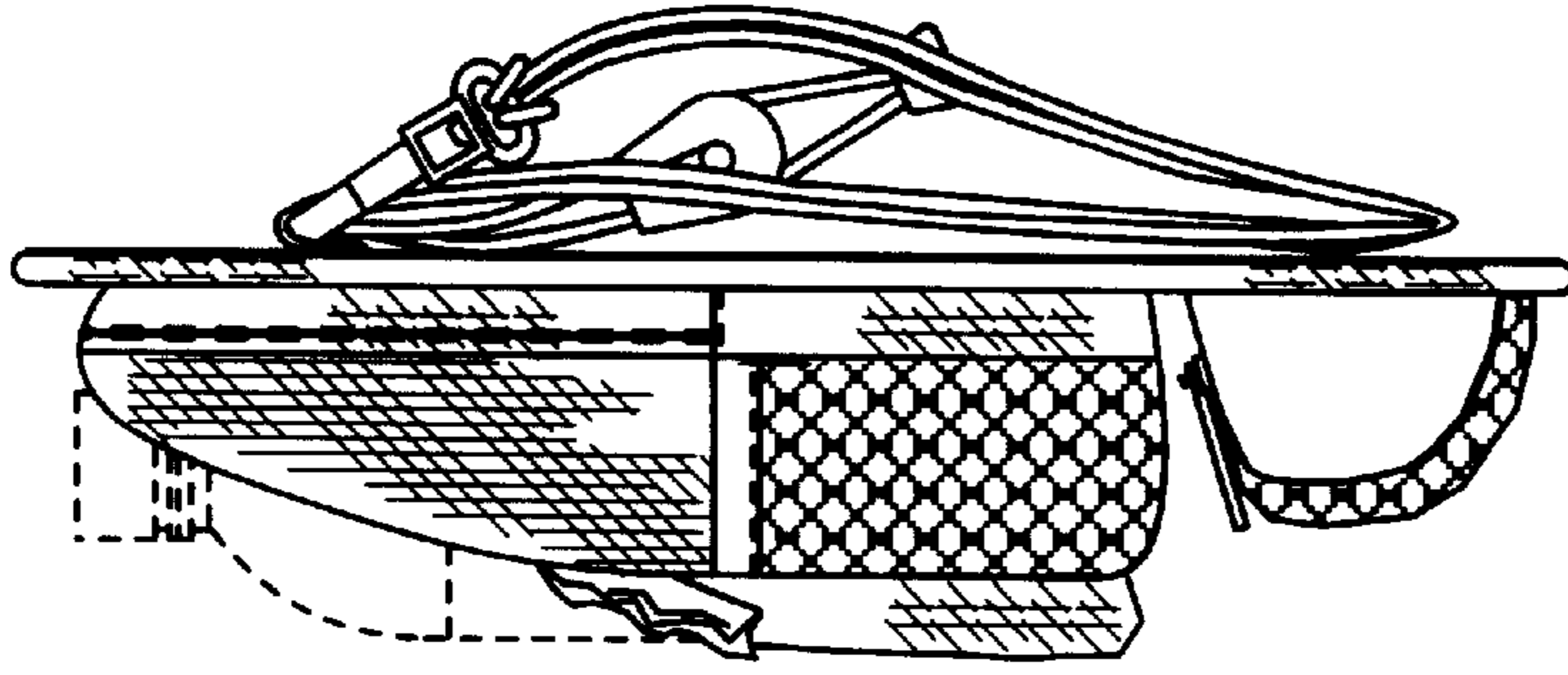
**Fig 2**



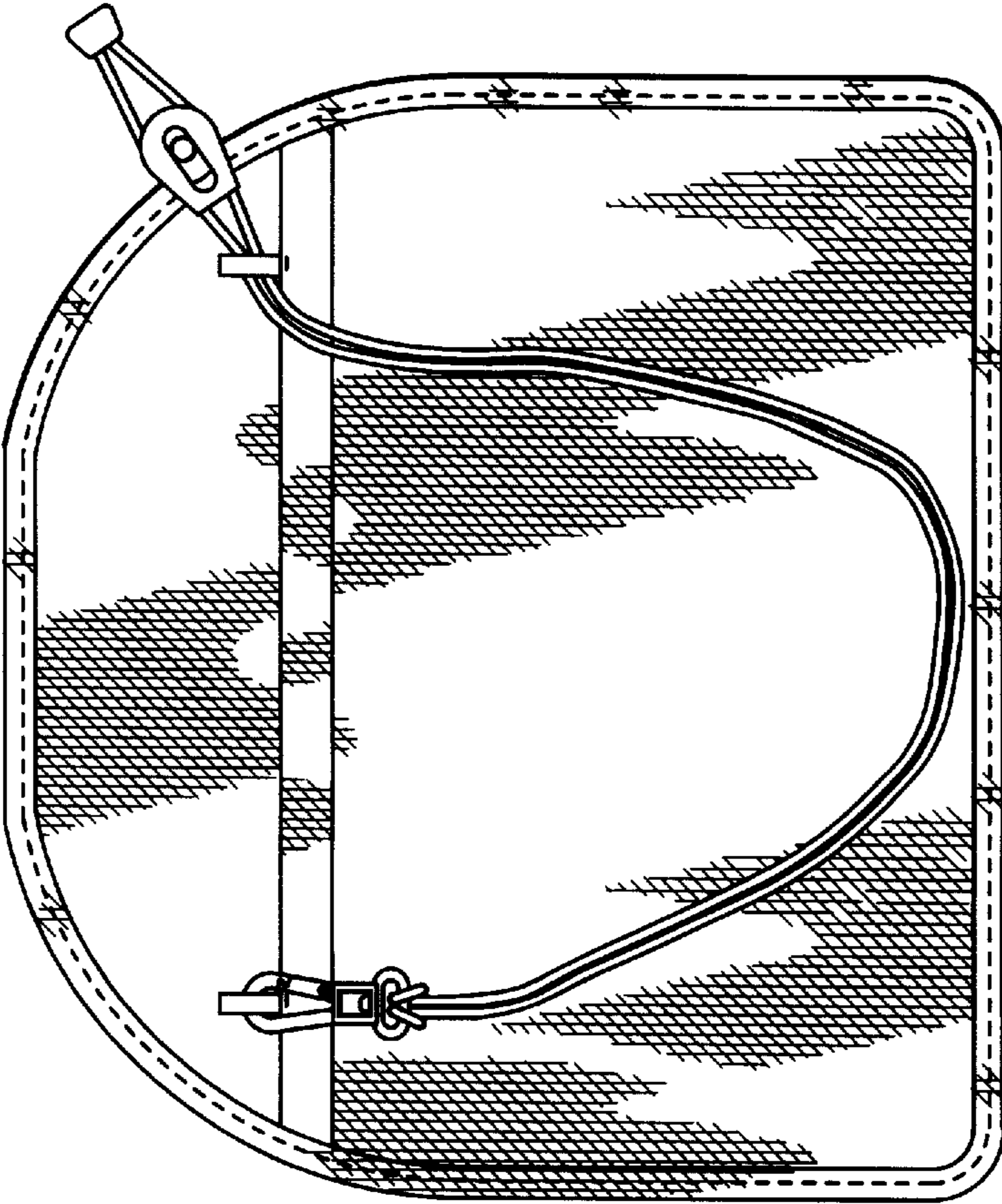
**Fig 3**



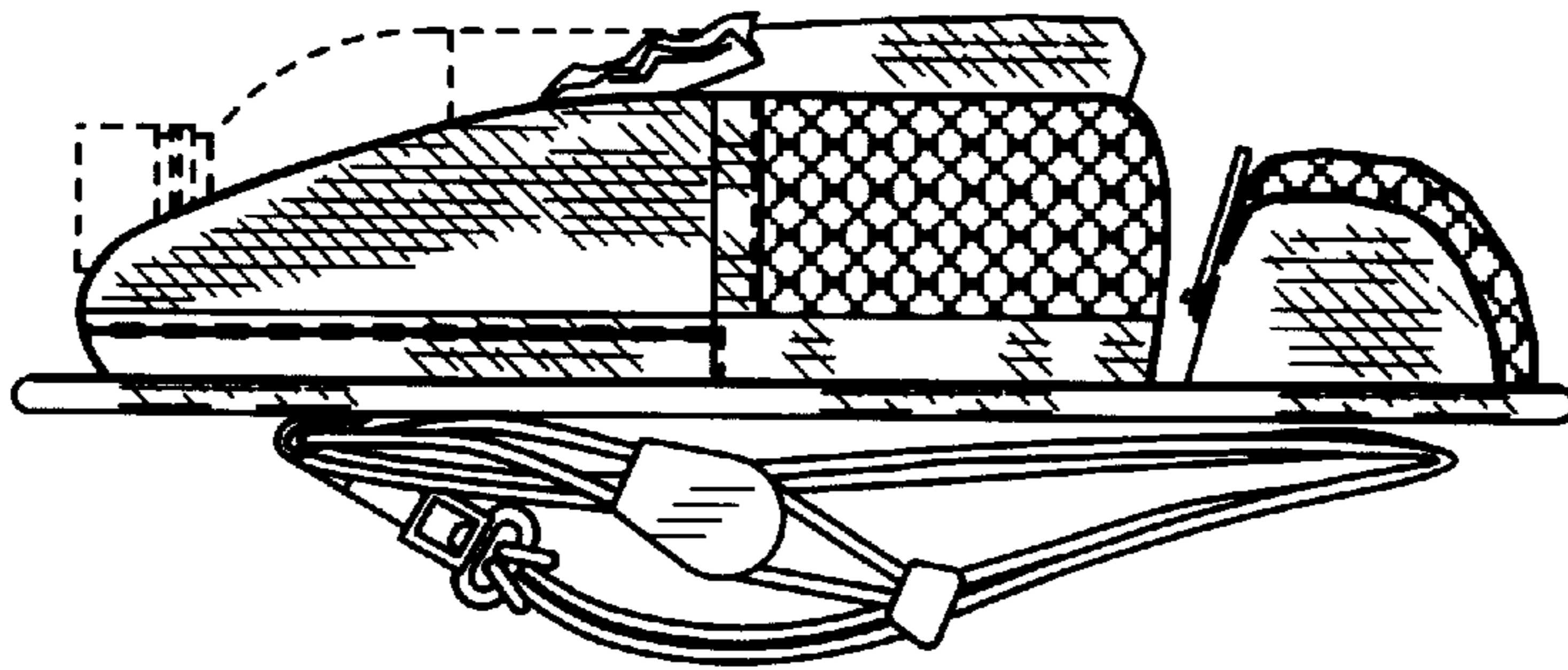
**Fig 4**



**Fig 7**



**Fig 6**



**Fig 5**