



US00D430533S

United States Patent [19]

Peschmann et al.

[11] Patent Number: **Des. 430,533**

[45] Date of Patent: **** Sep. 5, 2000**

[54] **HITCH MOUNTABLE BIKE RACK**

[75] Inventors: **Joseph J. Peschmann**, Plover; **Todd A. Trowbridge**, Wausau, both of Wis.

[73] Assignee: **Fulton Performance Products, Inc.**, Mosinee, Wis.

[**] Term: **14 Years**

[21] Appl. No.: **29/113,152**

[22] Filed: **Oct. 29, 1999**

[51] **LOC (7) Cl.** **12-16**

[52] **U.S. Cl.** **D12/408**

[58] **Field of Search** D12/115, 412, D12/406, 407, 408, 414; 224/488-492, 403, 511-521, 529, 537; 280/204, 292

[56] **References Cited**

U.S. PATENT DOCUMENTS

- D. 306,992 4/1990 Morehouse D12/408
- D. 377,700 1/1997 Butler D12/408 X

- 3,912,139 10/1975 Bowman 224/403 X
- 5,497,927 3/1996 Peterson 224/519
- 6,019,266 2/2000 Johnson 224/521 X

Primary Examiner—Alan P. Douglas
Assistant Examiner—Linda Brooks
Attorney, Agent, or Firm—Leon E. Redman; Lloyd D. Doigan

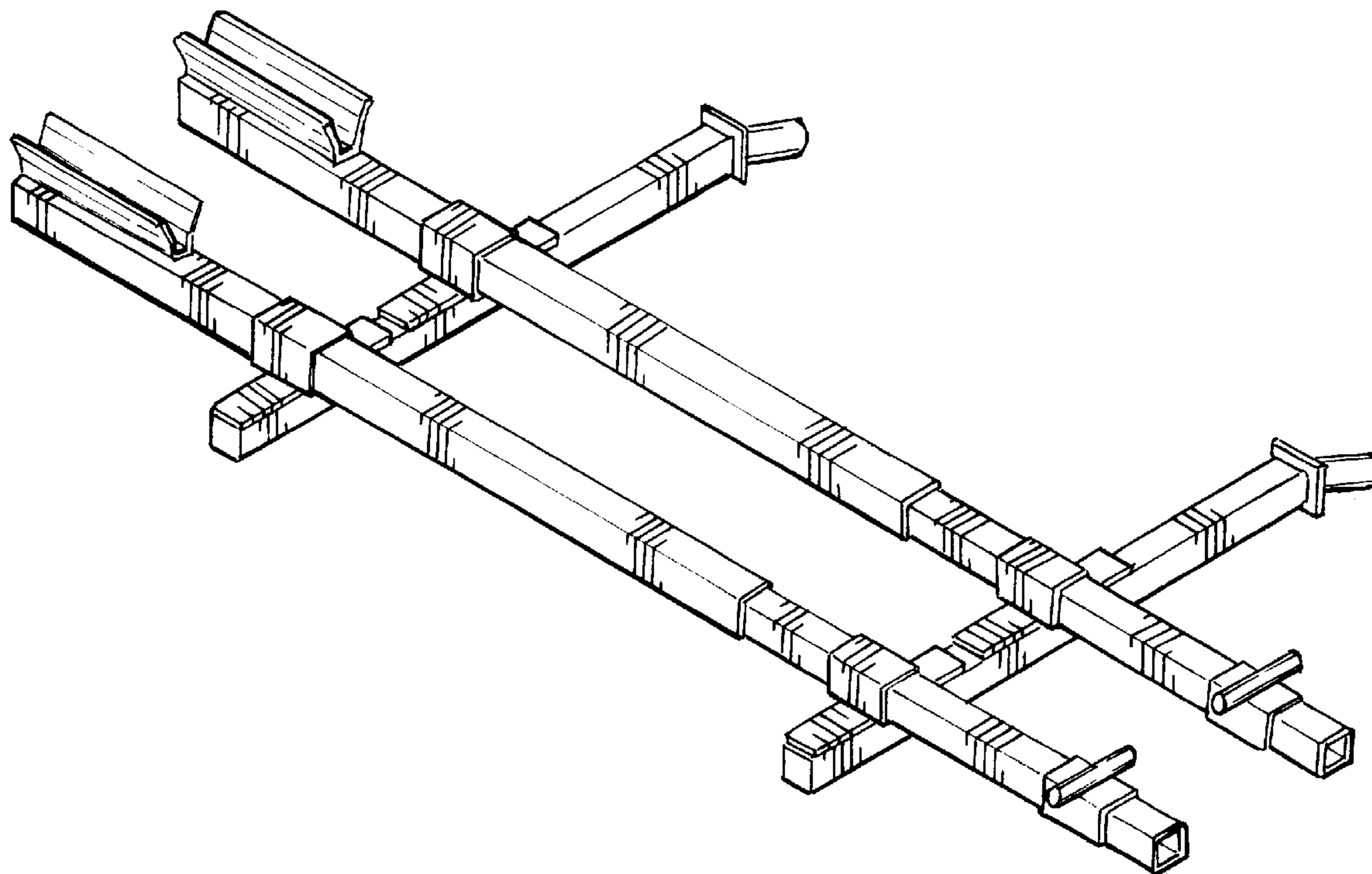
[57] **CLAIM**

The ornamental design for a hitch mountable bike rack, as shown and described.

DESCRIPTION

FIG. 1 is a perspective view of the hitch mountable bike rack showing our new design; FIG. 2 is a top plan view thereof; FIG. 3 is a rear elevational view thereof; FIG. 4 is a bottom plan view thereof; FIG. 5 is a left side elevational view thereof; FIG. 6 is a right side elevational view thereof; and, FIG. 7 is a front elevational view thereof.

1 Claim, 2 Drawing Sheets



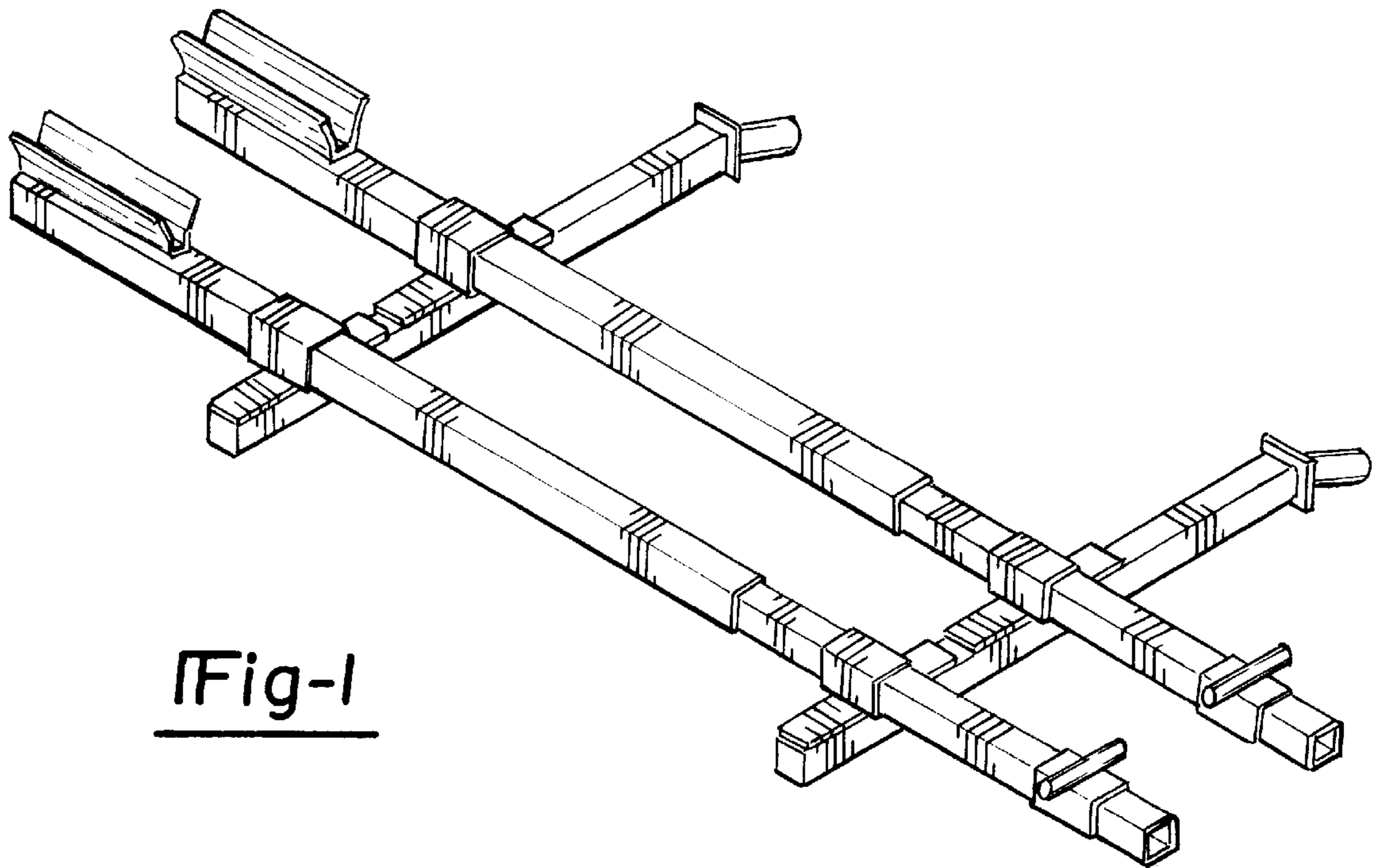


Fig-1

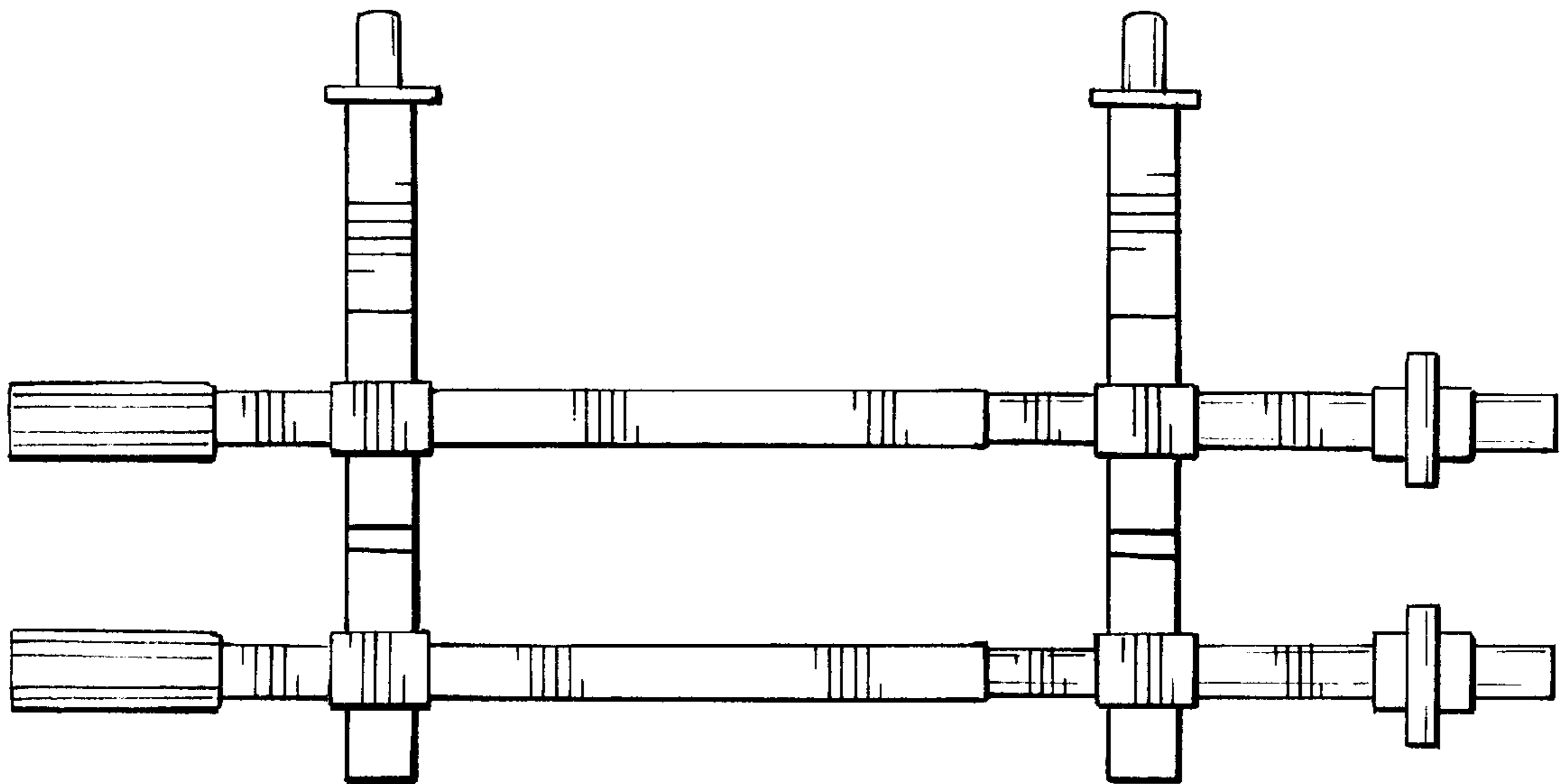


Fig-2

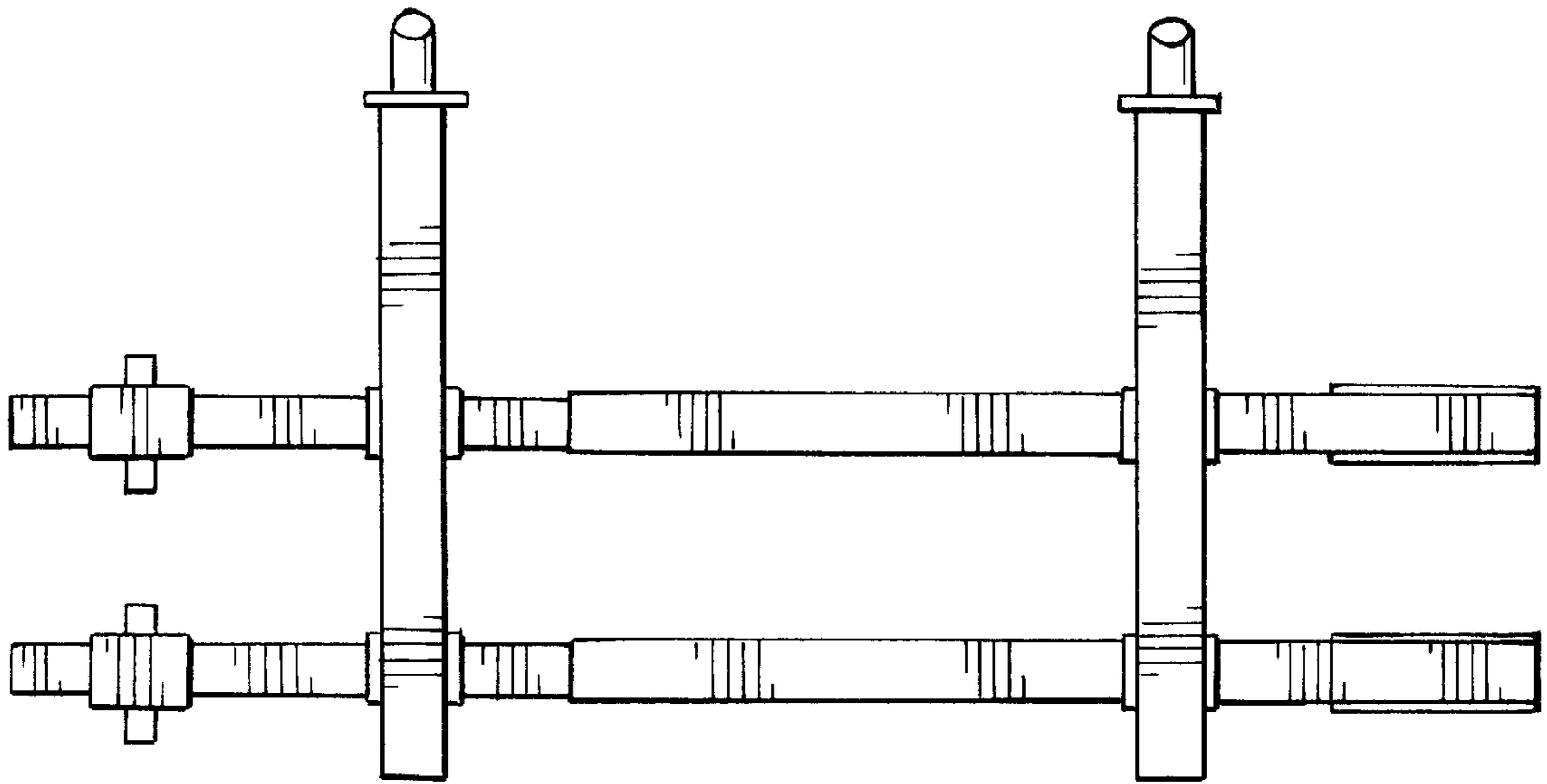


Fig-3

Fig-4

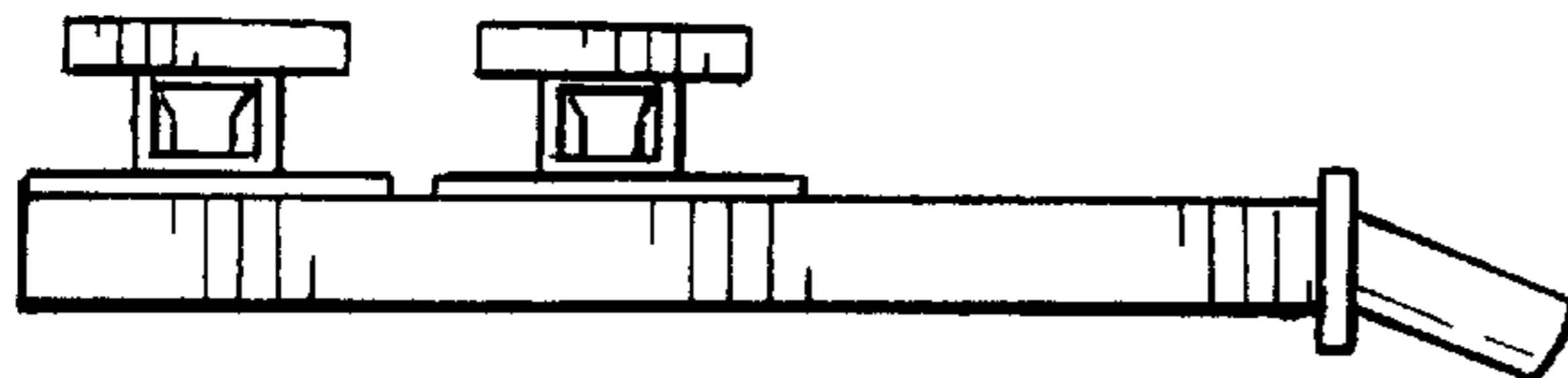
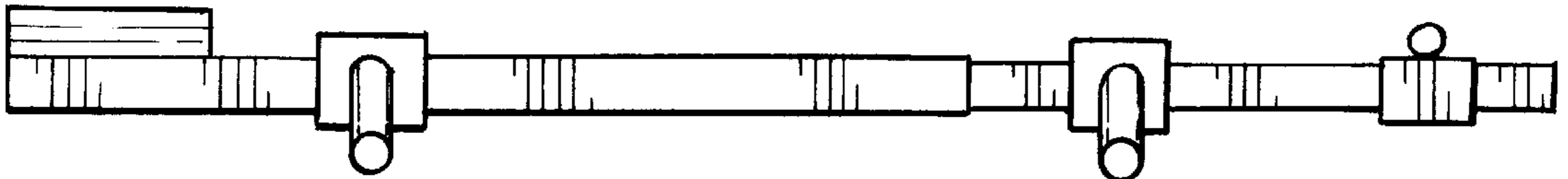


Fig-5

Fig-6

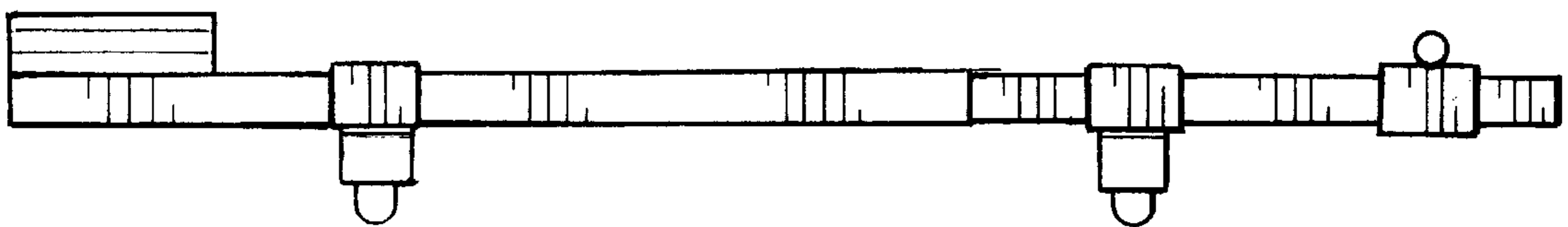
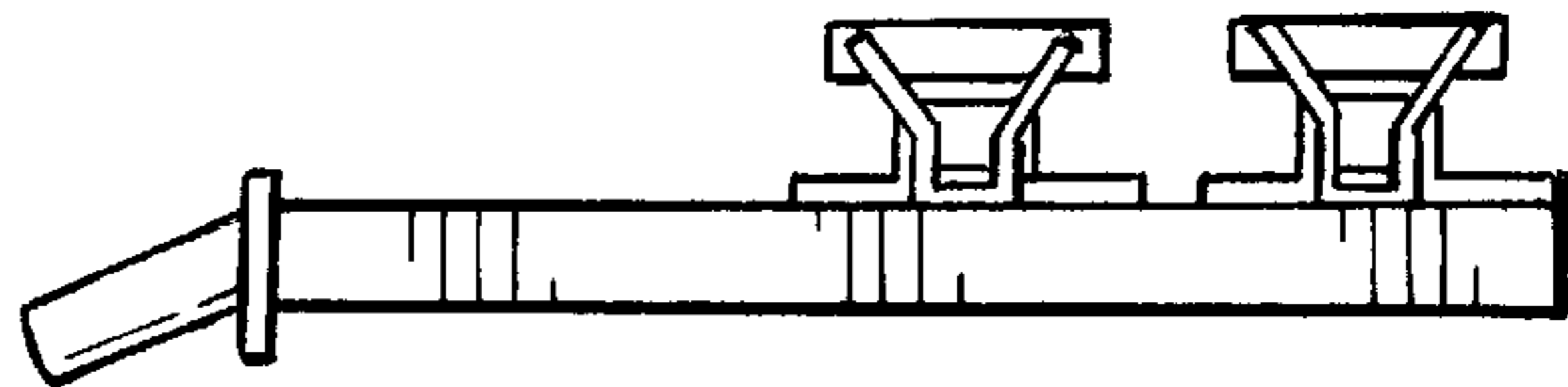


Fig-7