



US00D430532S

**United States Patent** [19]  
**Frazier**

[11] **Patent Number: Des. 430,532**

[45] **Date of Patent: \*\* Sep. 5, 2000**

[54] **BICYCLE SUPPORT RACK**

4,640,449 2/1987 Blackburn ..... 224/412

[76] Inventor: **John C. Frazier**, 5531 Riverstone Dr.,  
Baton Rouge, La. 70820

*Primary Examiner*—Alan P. Douglas  
*Assistant Examiner*—Linda Brooks  
*Attorney, Agent, or Firm*—Richard J. Hammond

[\*\*] Term: **14 Years**

[57] **CLAIM**

[21] Appl. No.: **29/094,504**

The ornamental design for a bicycle support rack, as shown and described.

[22] Filed: **Oct. 5, 1998**

[51] **LOC (7) Cl.** ..... **12-16**

[52] **U.S. Cl.** ..... **D12/407**

[58] **Field of Search** ..... D12/114, 406,  
D12/407, 115, 223; D8/373; 224/412, 420,  
421, 443; 211/119; 248/175, 126, 153,  
302, 317; D6/462, 566

**DESCRIPTION**

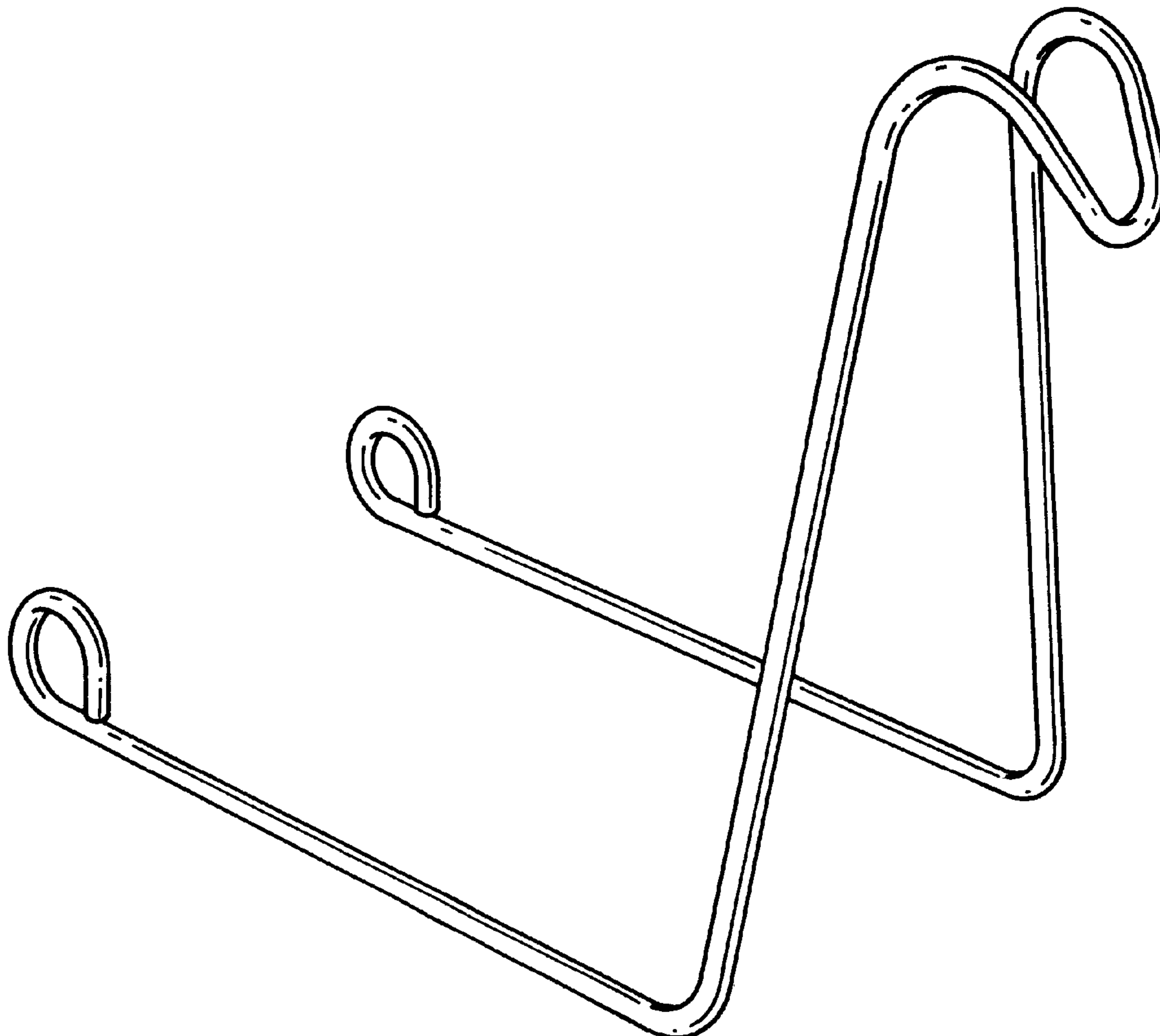
FIG. 1 is a perspective view of the bicycle support rack showing my new design;  
FIG. 2 is a left side view thereof, the right side view being a mirror image of said left side view, and a portion of a bicycle being shown in a dotted line form for the purpose of illustration only;  
FIG. 3 is a back view thereof;  
FIG. 4 is a front view thereof;  
FIG. 5 is a top view thereof; and  
FIG. 6 is a bottom view thereof.

[56] **References Cited**

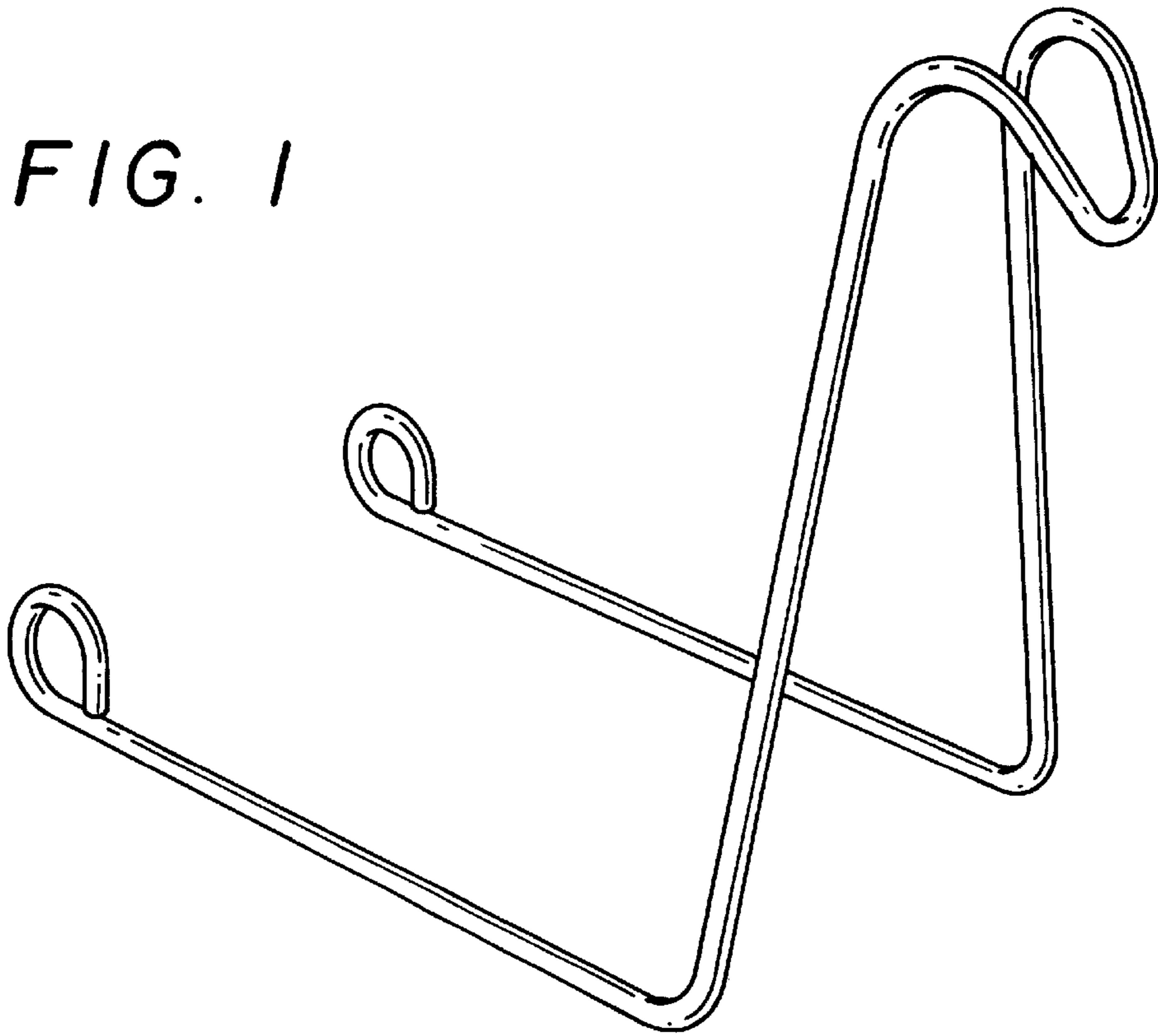
**U.S. PATENT DOCUMENTS**

D. 33,380	10/1900	Jamison	.....	D12/223
569,813	10/1896	Chamberlain	.....	224/420 X
1,400,758	12/1921	Mansfield	.....	224/412
4,315,583	2/1982	Hine, Jr.	.....	224/412

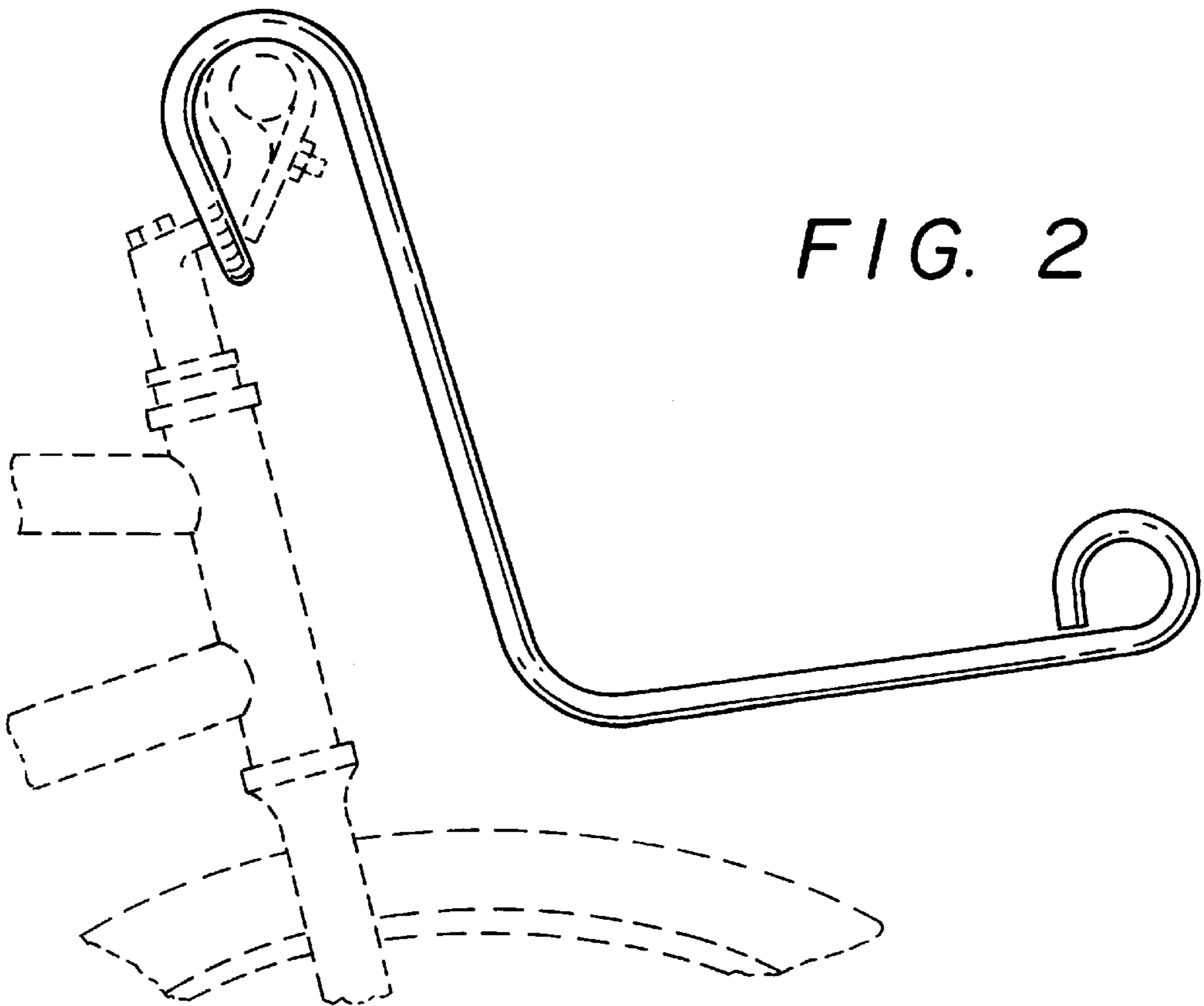
**1 Claim, 2 Drawing Sheets**



*FIG. 1*



*FIG. 2*



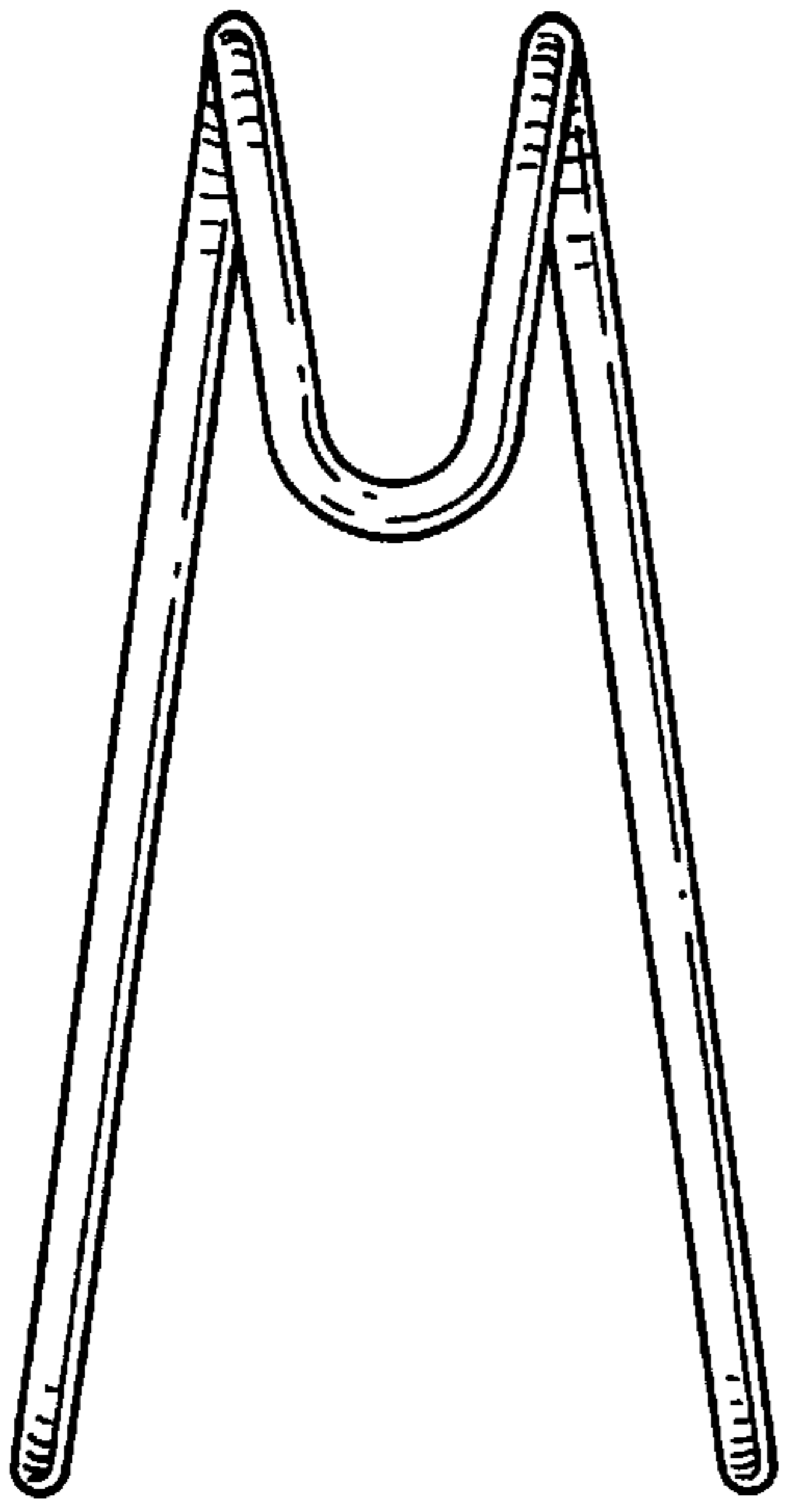


FIG. 3

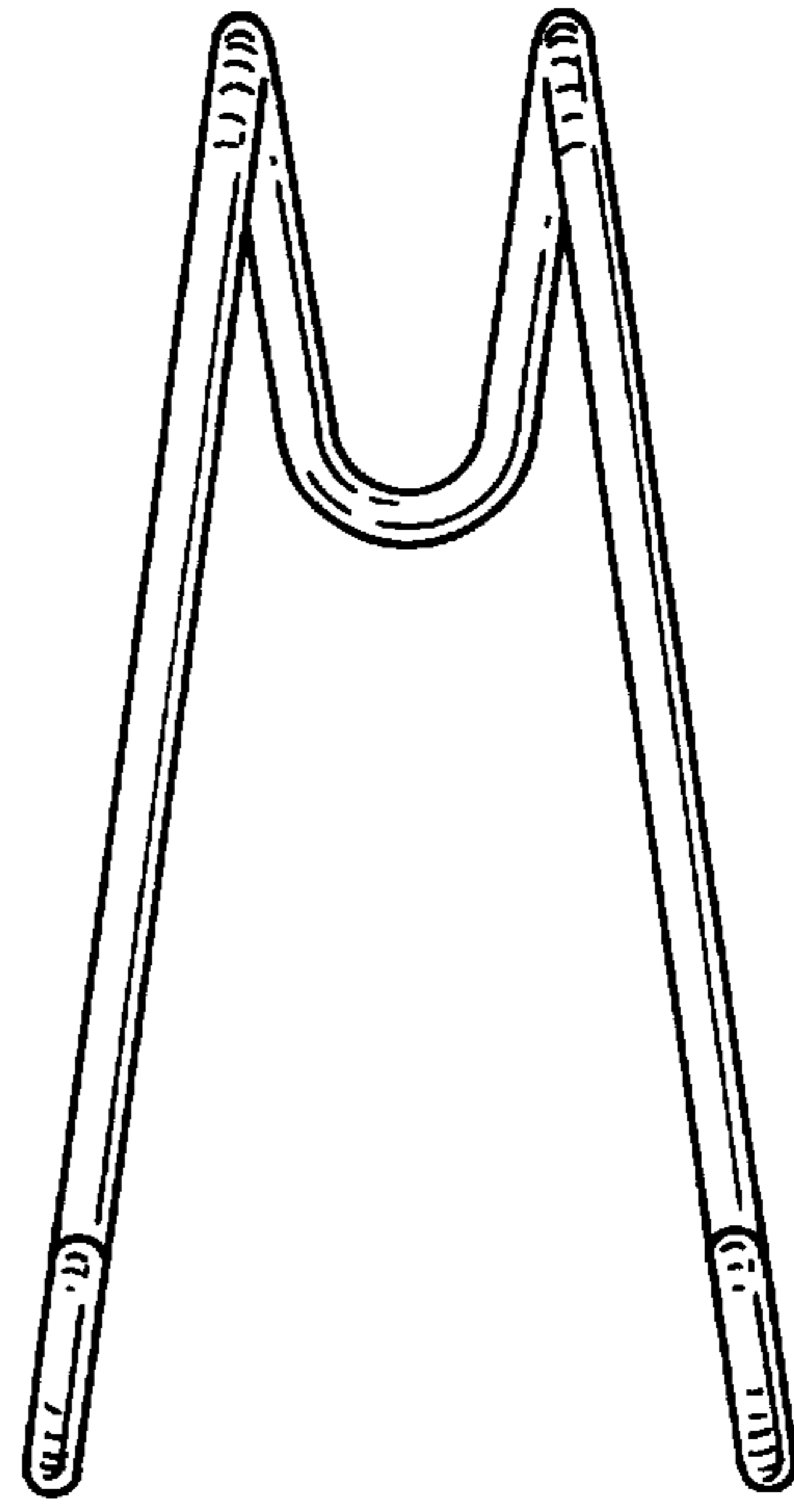


FIG. 4

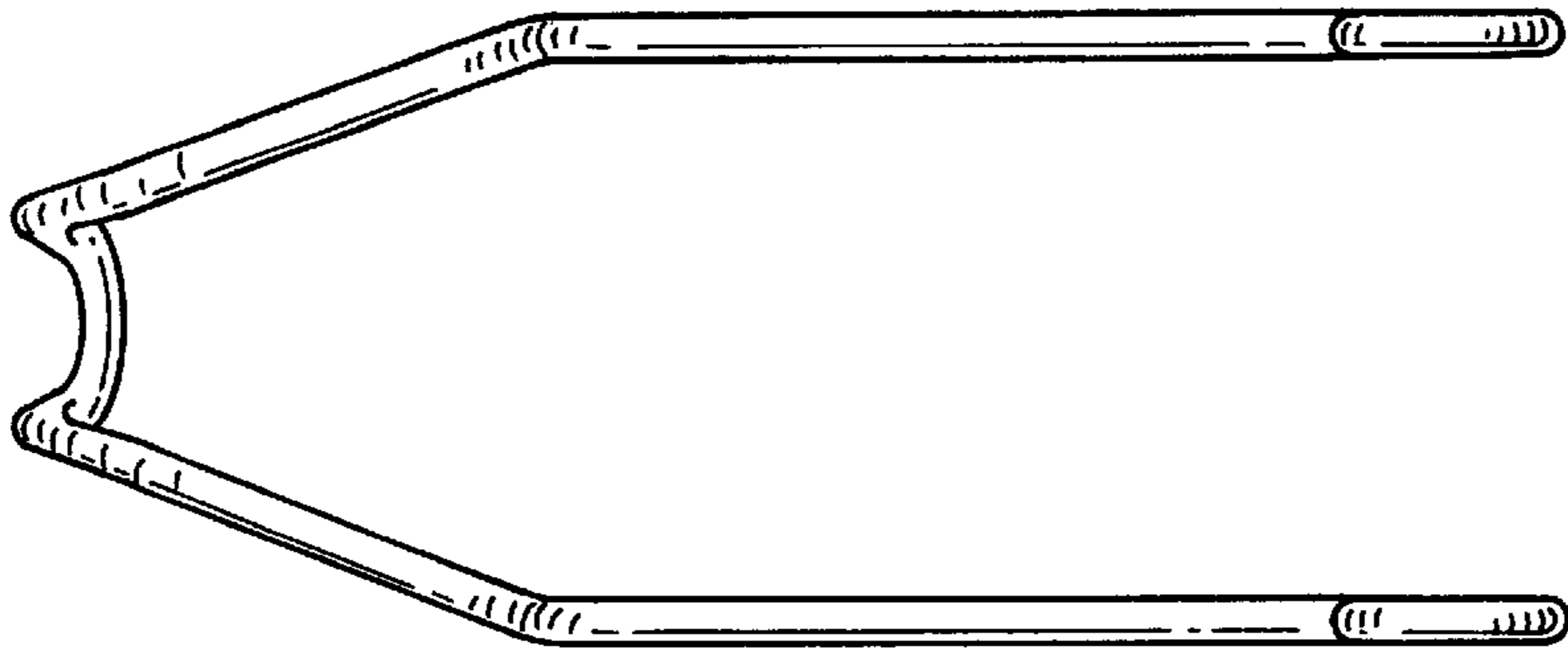


FIG. 5

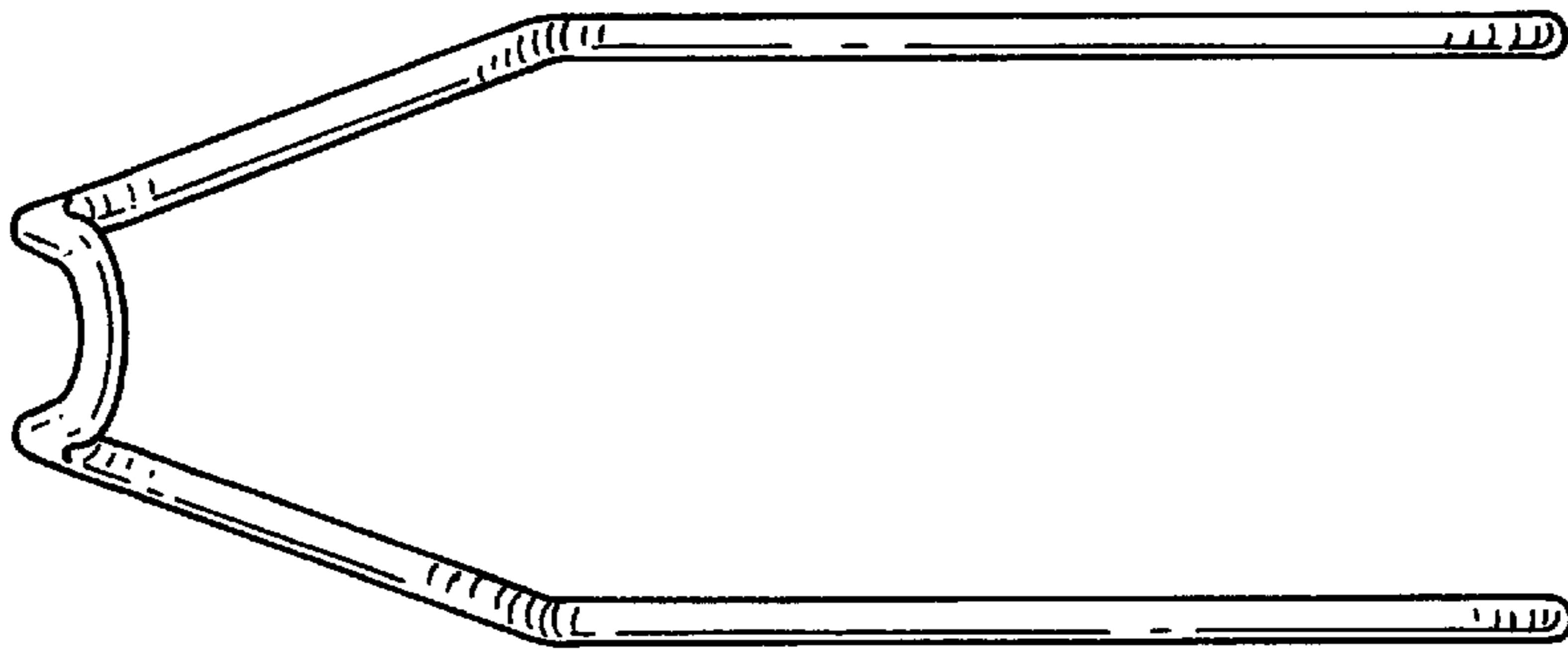


FIG. 6