



US00D430526S

# United States Patent [19] Fitzgerald

[11] **Patent Number: Des. 430,526**

[45] **Date of Patent: \*\* Sep. 5, 2000**

[54] **MOTOR VEHICLE WHEEL FRONT FACE**

[75] Inventor: **Kevin Fitzgerald**, Long Beach, Calif.

[73] Assignee: **KMC Products, Inc.**, Riverside, Calif.

[\*\*] Term: **14 Years**

[21] Appl. No.: **29/110,008**

[22] Filed: **Aug. 26, 1999**

D. 394,838	6/1998	Suprihanto .....	D12/211
D. 395,270	6/1998	Baumgartner et al. ....	D12/211
D. 398,898	9/1998	Baumgartner et al. ....	D12/211
D. 399,474	10/1998	Stacy .....	D12/211
D. 405,409	2/1999	Baumgartner .....	D12/211
D. 405,749	2/1999	Kulla .....	D12/211
D. 406,092	2/1999	Baumgartner .....	D12/211
D. 409,132	5/1999	Cullen .....	D12/211
D. 410,426	6/1999	Frizzi .....	D12/211
D. 413,853	9/1999	Hale, Jr. ....	D12/211

### Related U.S. Application Data

[62] Division of application No. 29/099,359, Jan. 20, 1999.

[51] **LOC (7) Cl.** ..... **12-16**

[52] **U.S. Cl.** ..... **D12/211**

[58] **Field of Search** ..... D12/204-213;  
301/64.1, 65, 37.1

*Primary Examiner*—Stacia Cadmus  
*Attorney, Agent, or Firm*—Dykema Gossett PLLC

### [57] CLAIM

The ornamental design for a motor vehicle wheel front face, as shown and described.

### DESCRIPTION

FIG. 1 is a front perspective view of a motor vehicle wheel front face, showing my new design; and, FIG. 2 is a front view thereof.

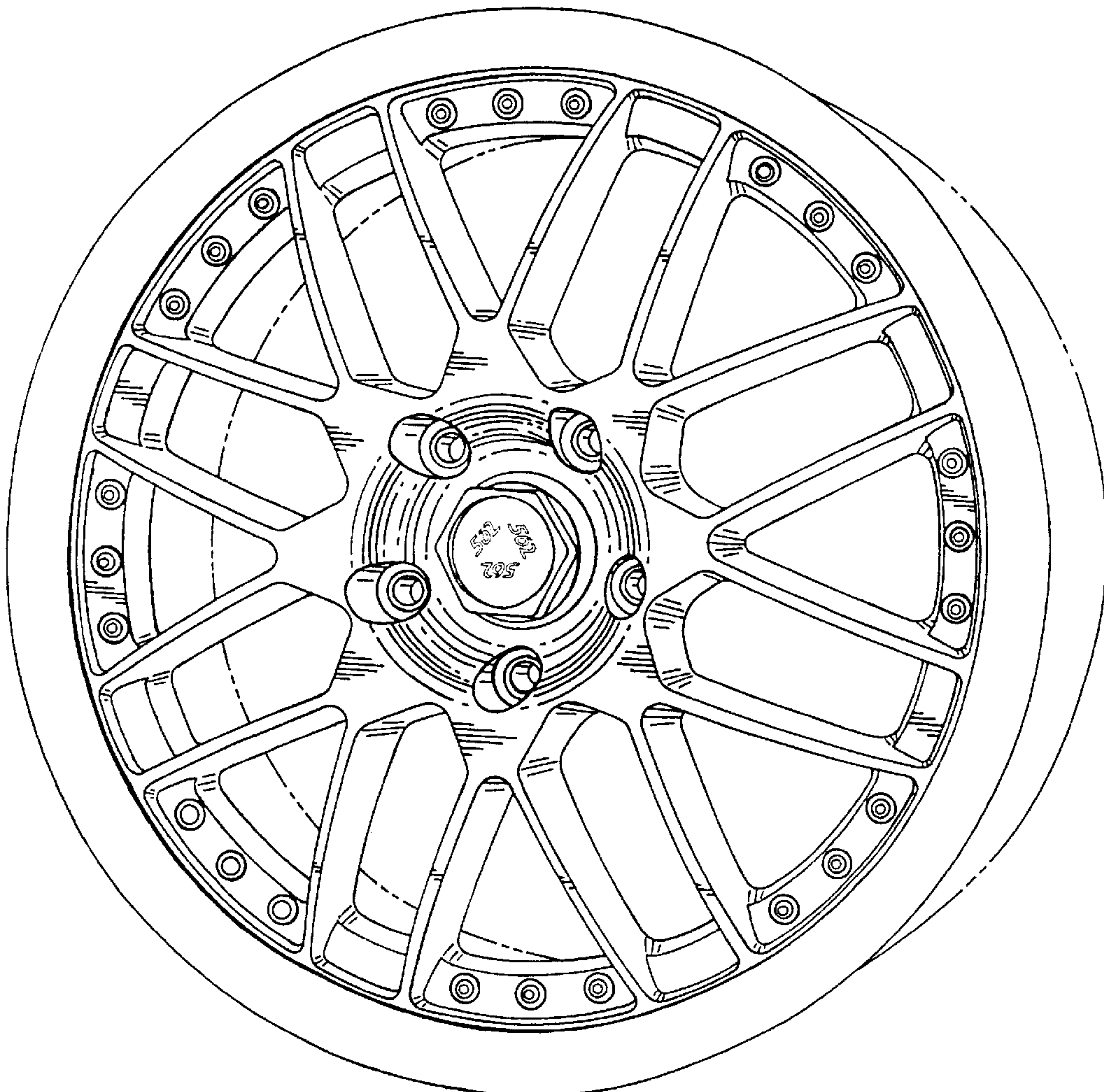
The broken line showing of environment is for illustrative purposes only and forms no part of the claimed design.

### [56] References Cited

#### U.S. PATENT DOCUMENTS

D. 353,571	12/1994	Braungart et al. ....	D12/211
D. 376,125	12/1996	Fikse .....	D12/211

**1 Claim, 2 Drawing Sheets**



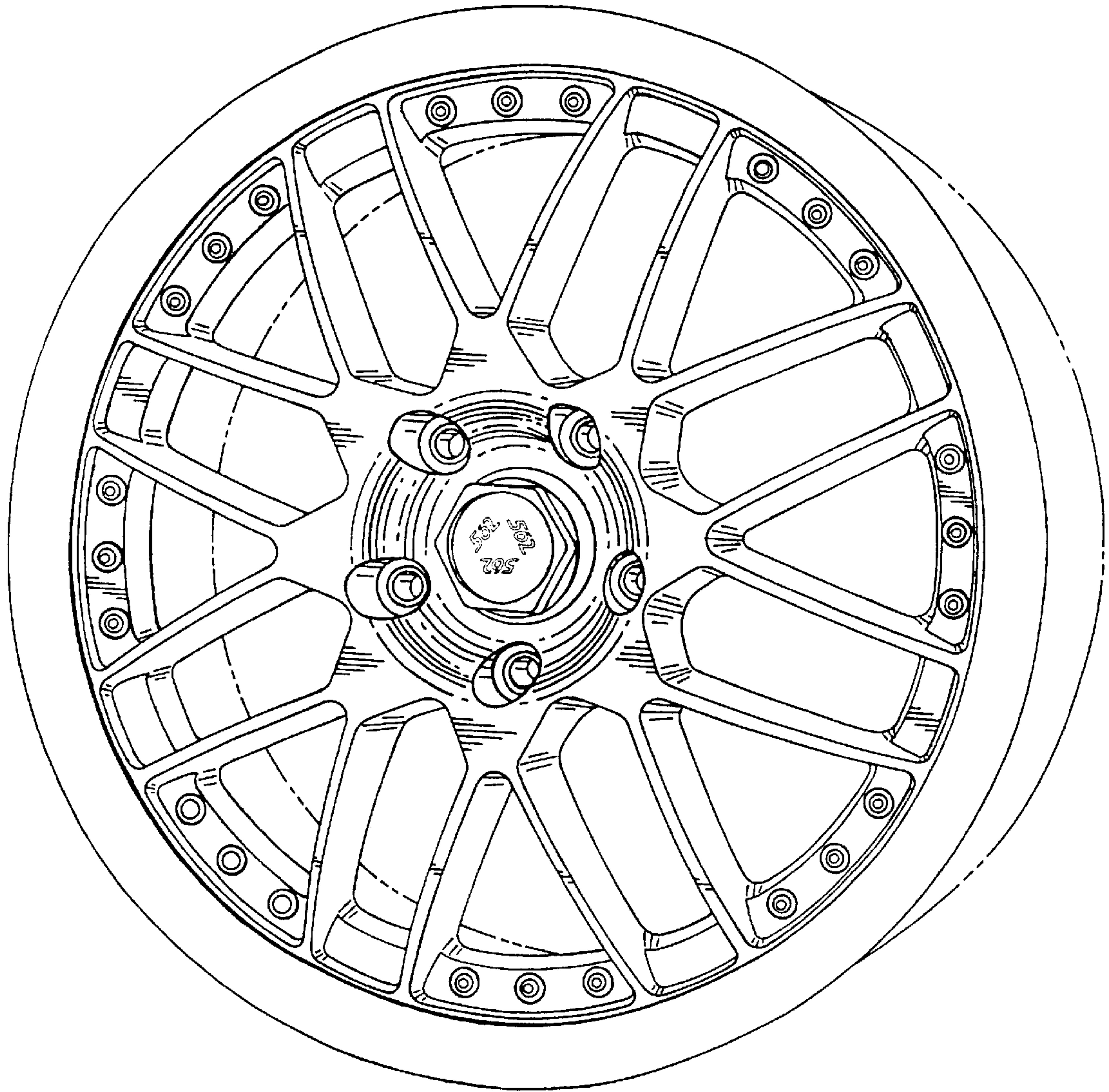


FIG. 1



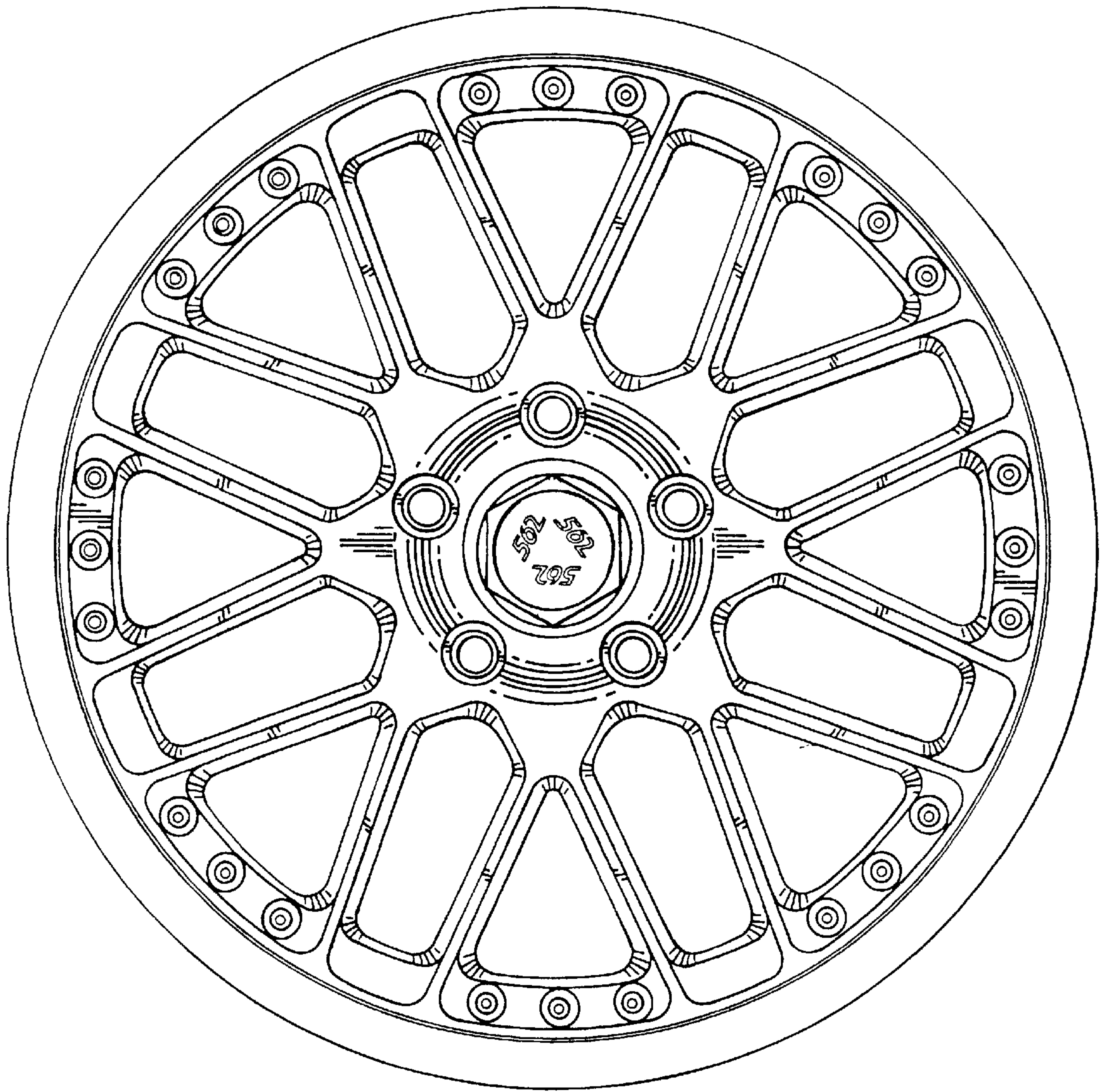


FIG. 2