



US00D430523S

United States Patent [19]
Pfeiffer

[11] **Patent Number: Des. 430,523**

[45] **Date of Patent: ** *Sep. 5, 2000**

[54] **FRONT FACE OF A VEHICLE WHEEL**

[75] Inventor: **Peter Pfeiffer**, Boeblingen, Germany

[73] Assignee: **DaimlerChrysler AG**, Stuttgart, Germany

[*] Notice: This patent is subject to a terminal disclaimer.

[**] Term: **14 Years**

[21] Appl. No.: **29/111,255**

[22] Filed: **Oct. 13, 1999**

[30] **Foreign Application Priority Data**

Apr. 13, 1999 [DE] Germany 4 99 03 636

[51] **LOC (7) Cl.** **12-16**

[52] **U.S. Cl.** **D12/209**

[58] **Field of Search** D12/204-211;
301/37.1, 64.1, 65

[56] **References Cited**

U.S. PATENT DOCUMENTS

- D. 302,264 7/1989 Soederberg D12/209
- D. 367,031 2/1996 Hubbach D12/209
- D. 399,470 10/1998 Sacco et al. D12/209
- D. 412,148 7/1999 Fitzgerald D12/209

- D. 412,479 8/1999 Sacco et al. D12/209
- D. 416,845 11/1999 Frueh D12/209
- D. 416,848 11/1999 Bernoni D12/209
- D. 419,512 1/2000 Sacco et al. D12/209
- D. 419,940 2/2000 Sacco et al. D12/209
- D. 420,320 2/2000 Khoury D12/209
- D. 420,967 2/2000 Sacco et al. D12/209

Primary Examiner—Stacia Cadmus
Attorney, Agent, or Firm—Evenson, McKeown, Edwards & Lenahan, P.L.L.C.

[57] **CLAIM**

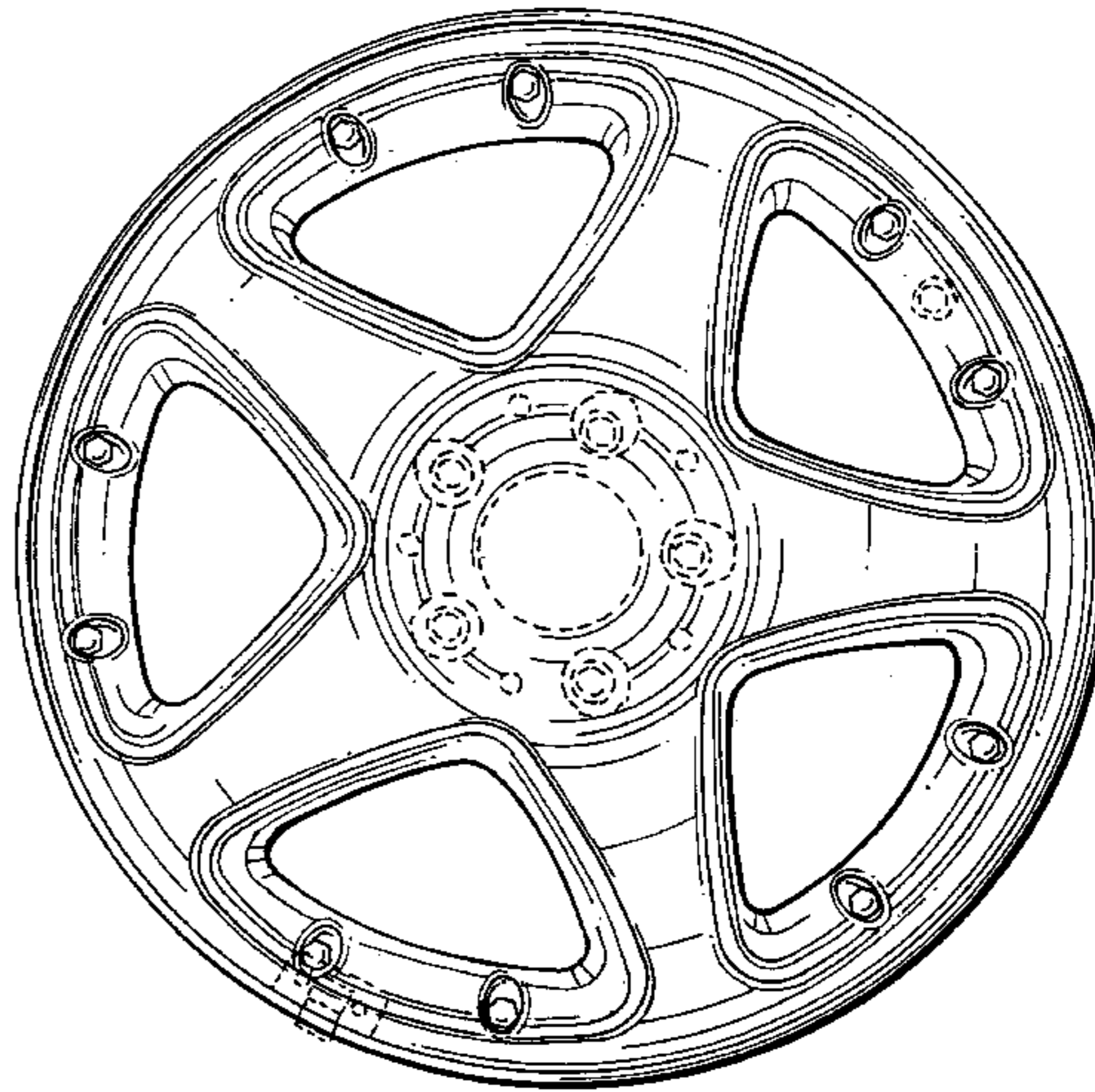
The ornamental design for a front face of a vehicle wheel, as shown and described.

DESCRIPTION

FIG. 1 is a front view of a first embodiment of a front face of a vehicle wheel according to my novel design; FIG. 2 is a perspective view of the first embodiment of the front face of a vehicle wheel according to my novel design; FIG. 3 is a front view of a second embodiment of the front face of a vehicle wheel according to my novel design; and, FIG. 4 is a perspective view of the second embodiment of the front face of a vehicle wheel according to my novel design.

The dash lines included depict environment and are not part of the claimed design.

1 Claim, 4 Drawing Sheets



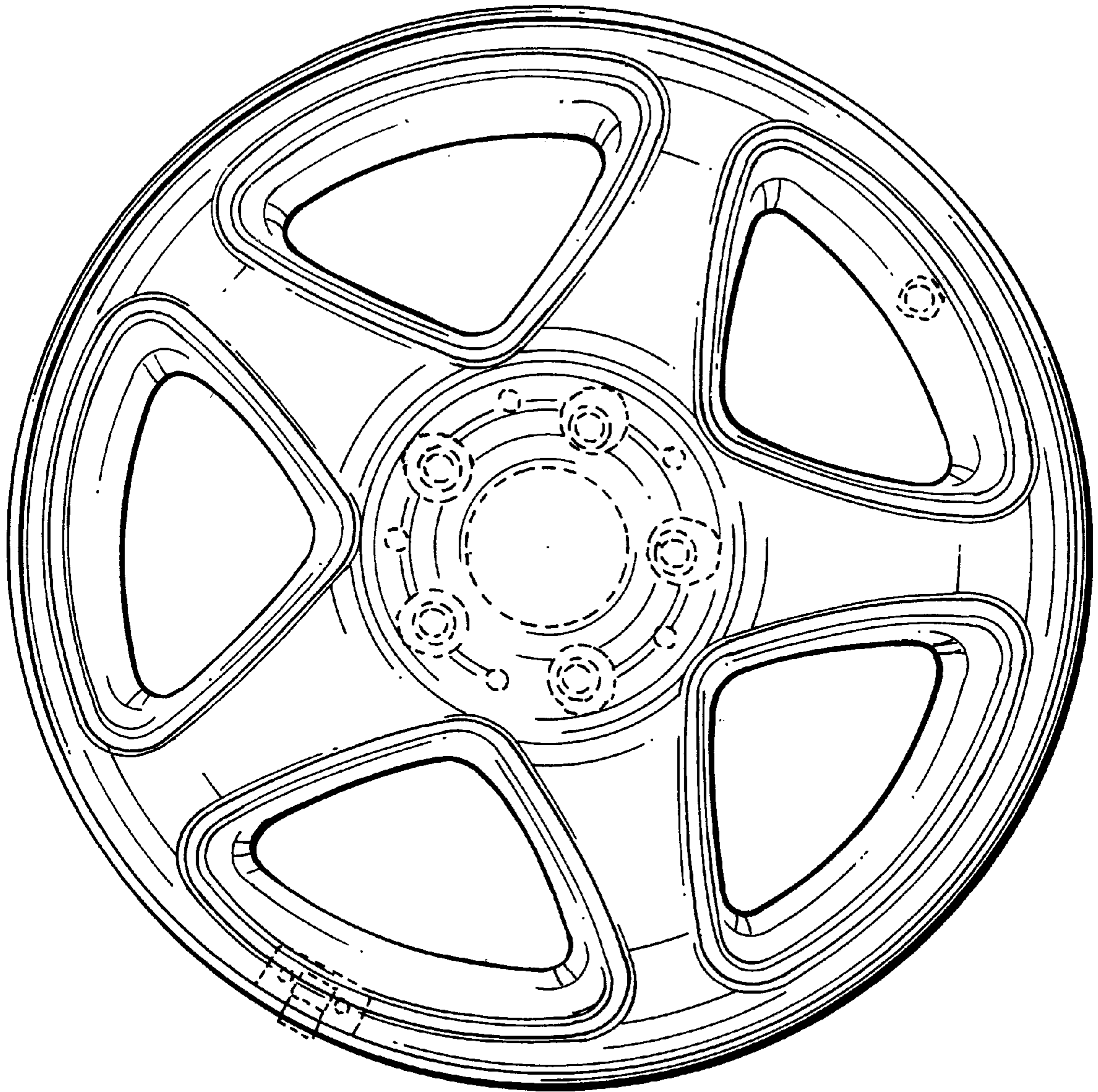


FIG. 1

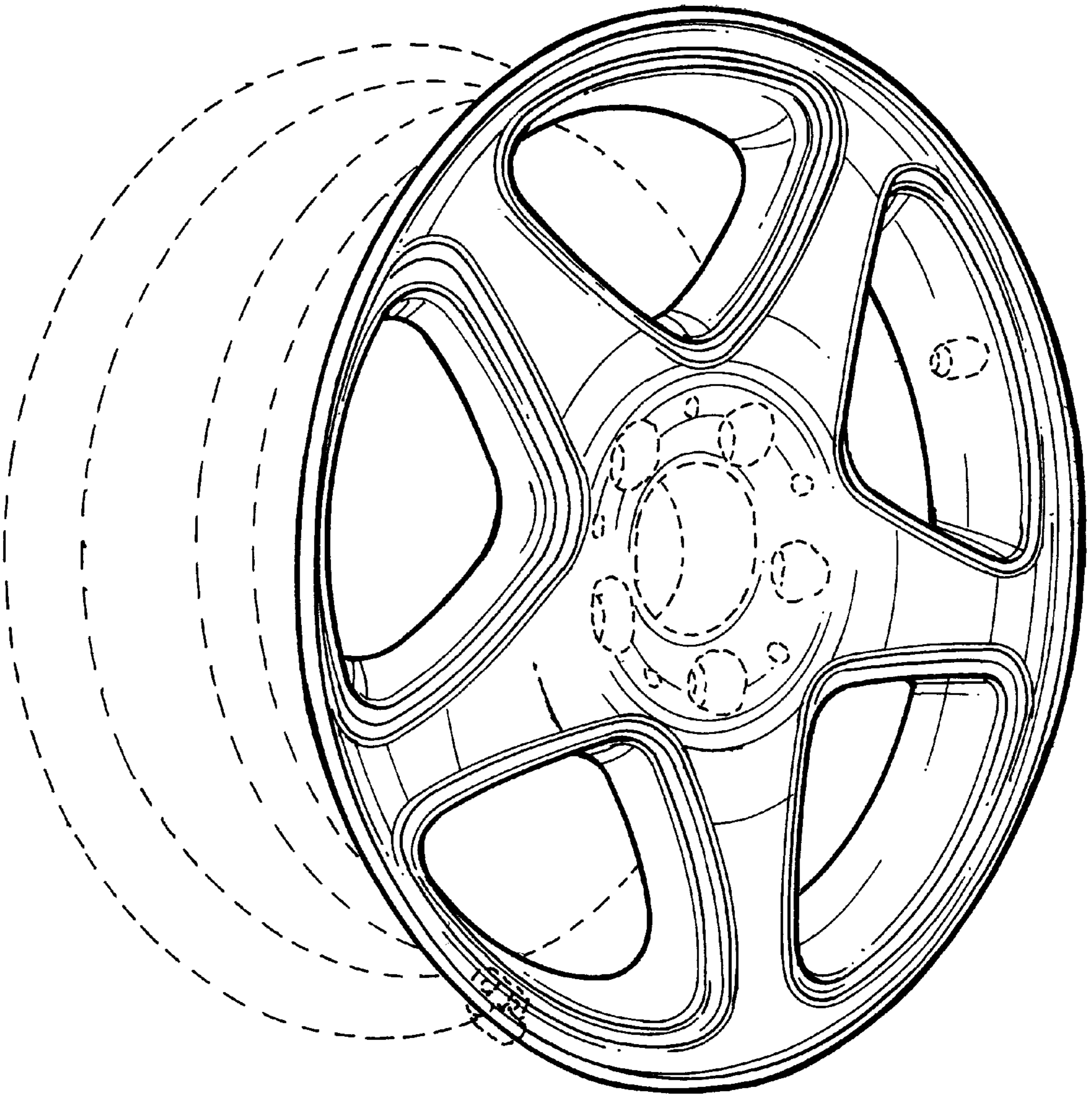


FIG. 2

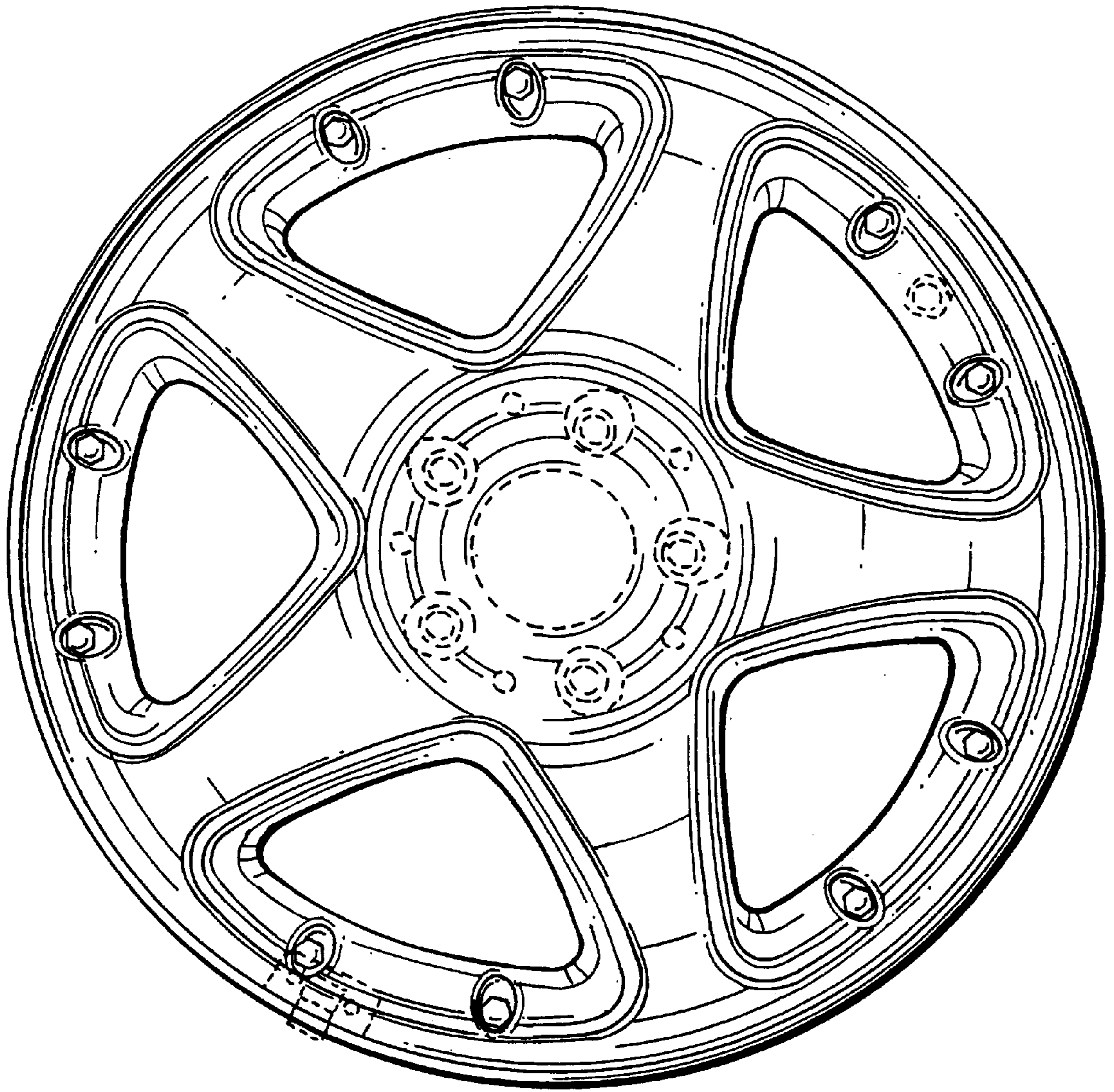


FIG. 3

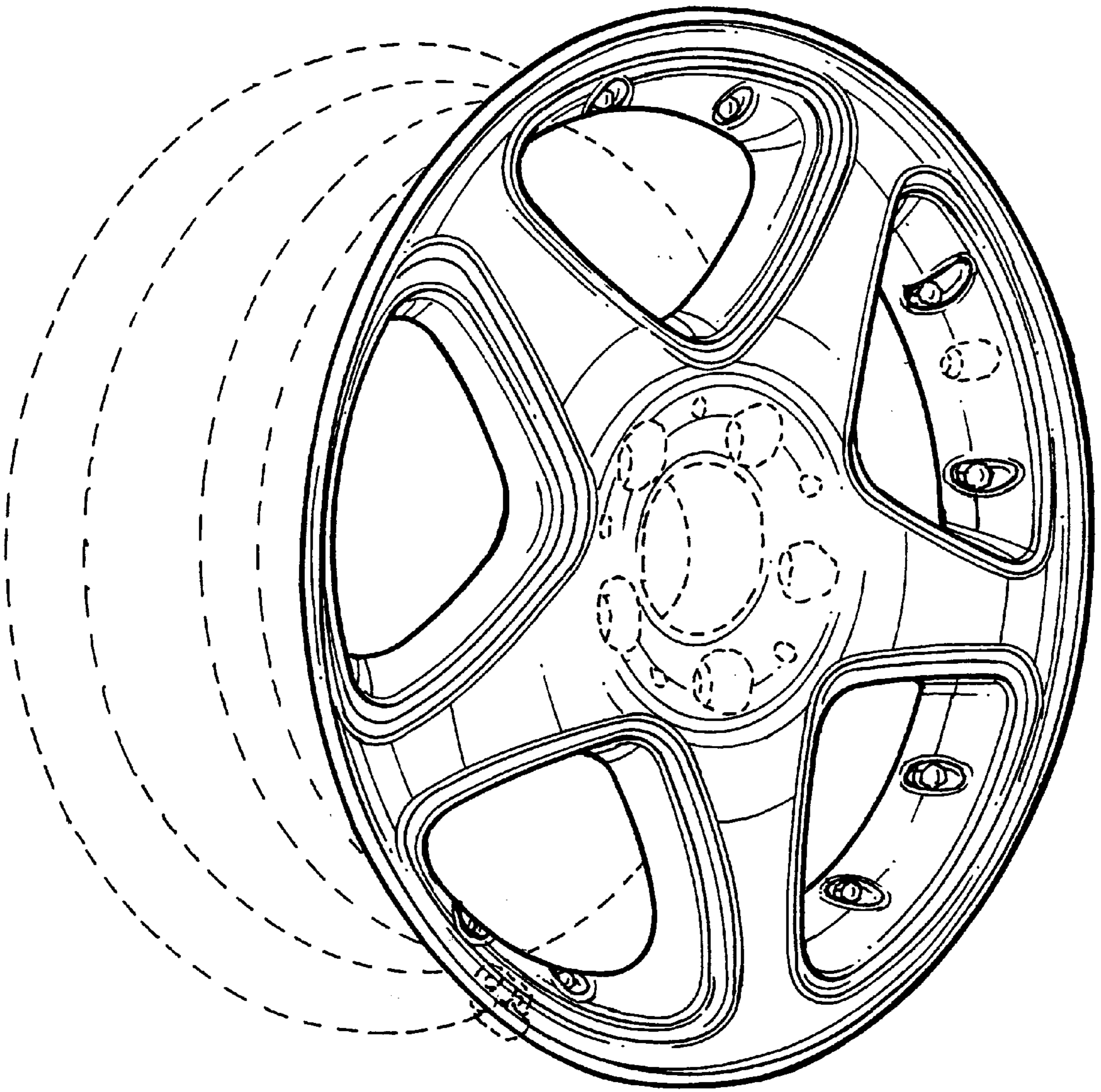


FIG. 4