



US00D430522S

United States Patent [19]

[11] **Patent Number: Des. 430,522**

Hsu

[45] **Date of Patent: ** Sep. 5, 2000**

[54] **ACCELERATION CONTROLLER FOR ELECTROMOTIVE BICYCLE**

5,787,757 8/1998 Ozaki 74/502.2
5,791,195 8/1998 Campagnolo 74/502.2
5,797,296 8/1998 Ozaki 74/502.2

[75] Inventor: **Tsun-Tying Hsu**, Taoyuan, Taiwan

Primary Examiner—Melody N. Brown
Attorney, Agent, or Firm—Varndell & Varndell, PLLC

[73] Assignees: **Index Electronics Co., Ltd.**, Taoyuan;
Fairly Bike Manufacturing, Taipei
Hsien, both of Taiwan

[57] CLAIM

[**] Term: **14 Years**

The ornamental design for an acceleration controller for electromotive bicycle, as shown and described.

[21] Appl. No.: **29/116,237**

DESCRIPTION

[22] Filed: **Dec. 30, 1999**

[51] **LOC (7) Cl.** **12-11**

[52] **U.S. Cl.** **D12/179; D12/114**

[58] **Field of Search** **D12/179, 114, D12/178, 111, 110; 74/502.2, 489, 475**

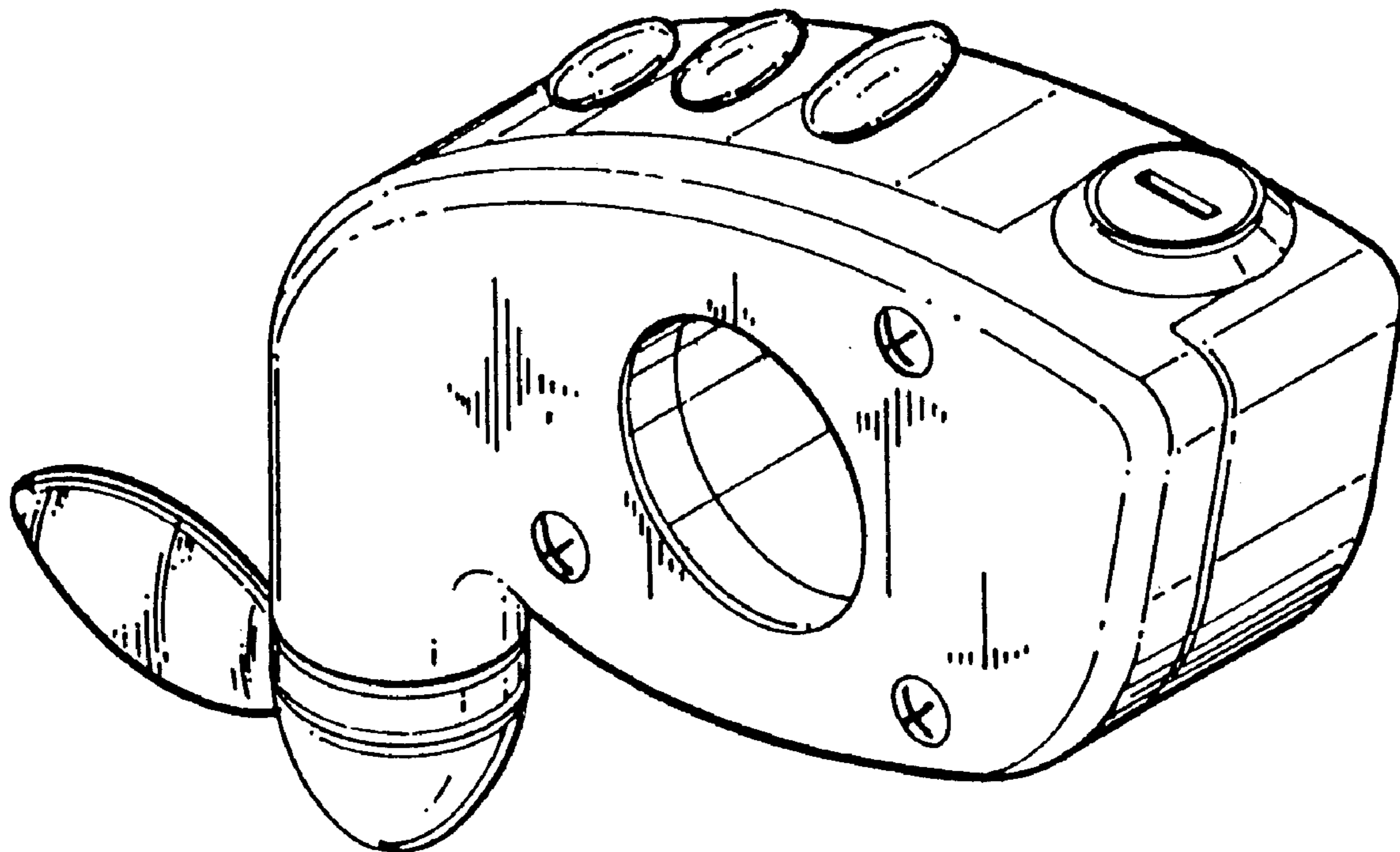
FIG. 1 is a perspective view of an acceleration controller for electromotive bicycle, showing my new design;
FIG. 2 is a front view of the acceleration controller for electromotive bicycle;
FIG. 3 is a rear view of the acceleration controller for electromotive bicycle;
FIG. 4 is a left side view of the acceleration controller for electromotive bicycle;
FIG. 5 is a right side view of the acceleration controller for electromotive bicycle;
FIG. 6 is a top view of the acceleration controller for electromotive bicycle; and,
FIG. 7 is a bottom view of the acceleration controller for electromotive bicycle.

[56] References Cited

U.S. PATENT DOCUMENTS

D. 392,233 3/1998 Masui D12/179
D. 392,608 3/1998 Pengel et al. D12/179
D. 392,609 3/1998 Pengel et al. D12/179
D. 396,835 8/1998 Roddy D12/178
D. 412,824 8/1999 Hoeffle et al. D12/179
5,676,020 10/1997 Jordan et al. 74/475

1 Claim, 4 Drawing Sheets



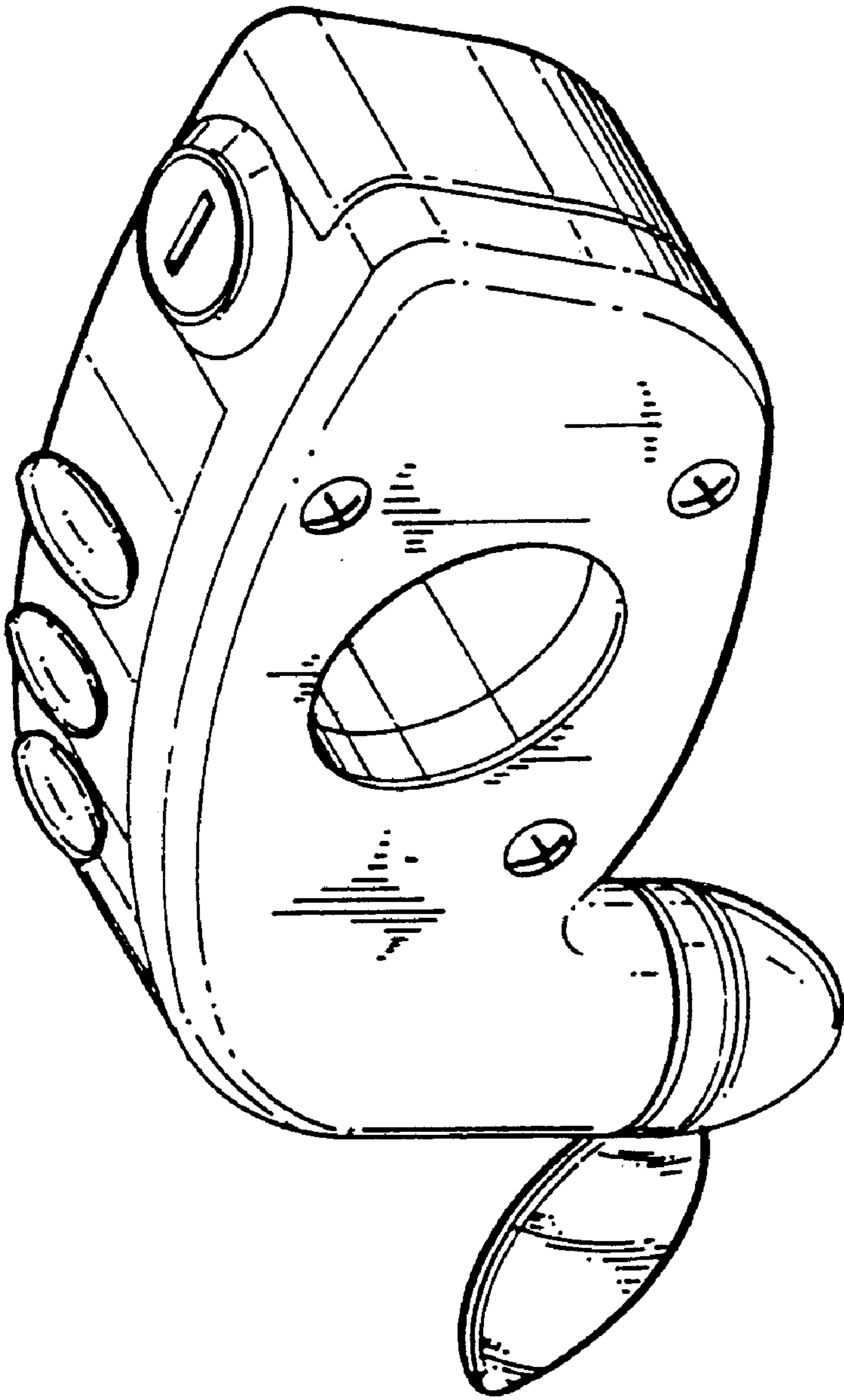


Fig. 1

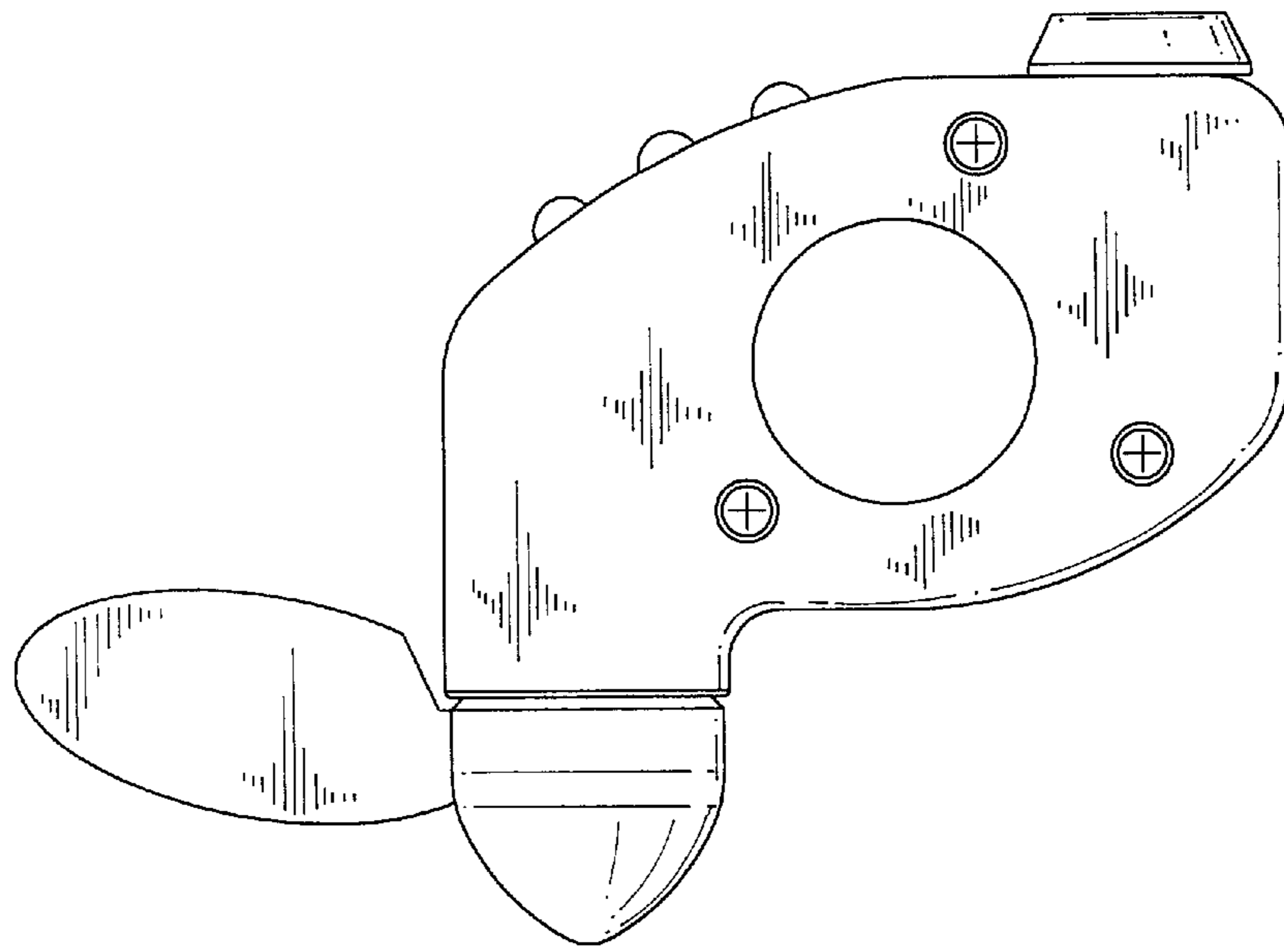


Fig. 2

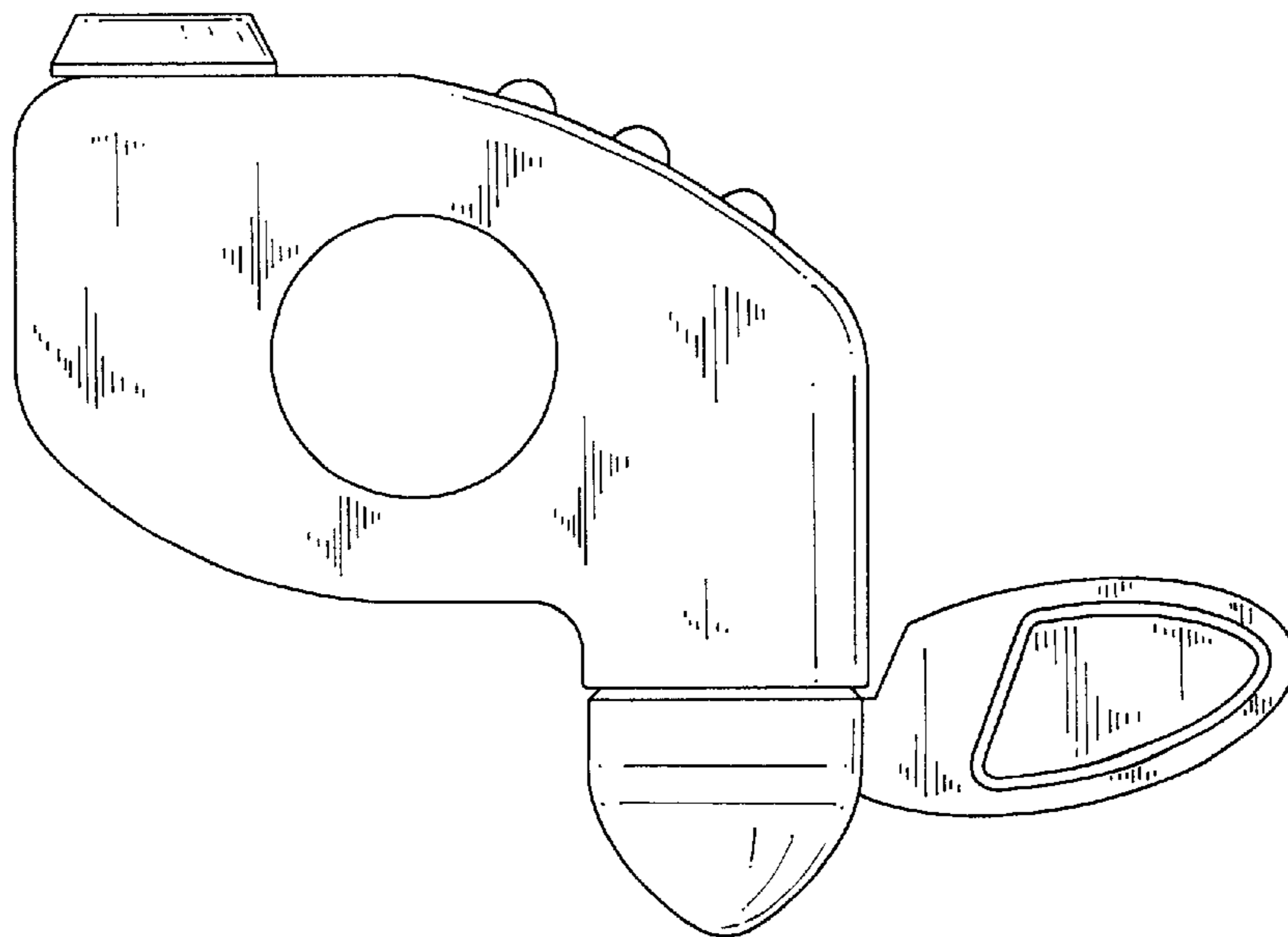


Fig. 3

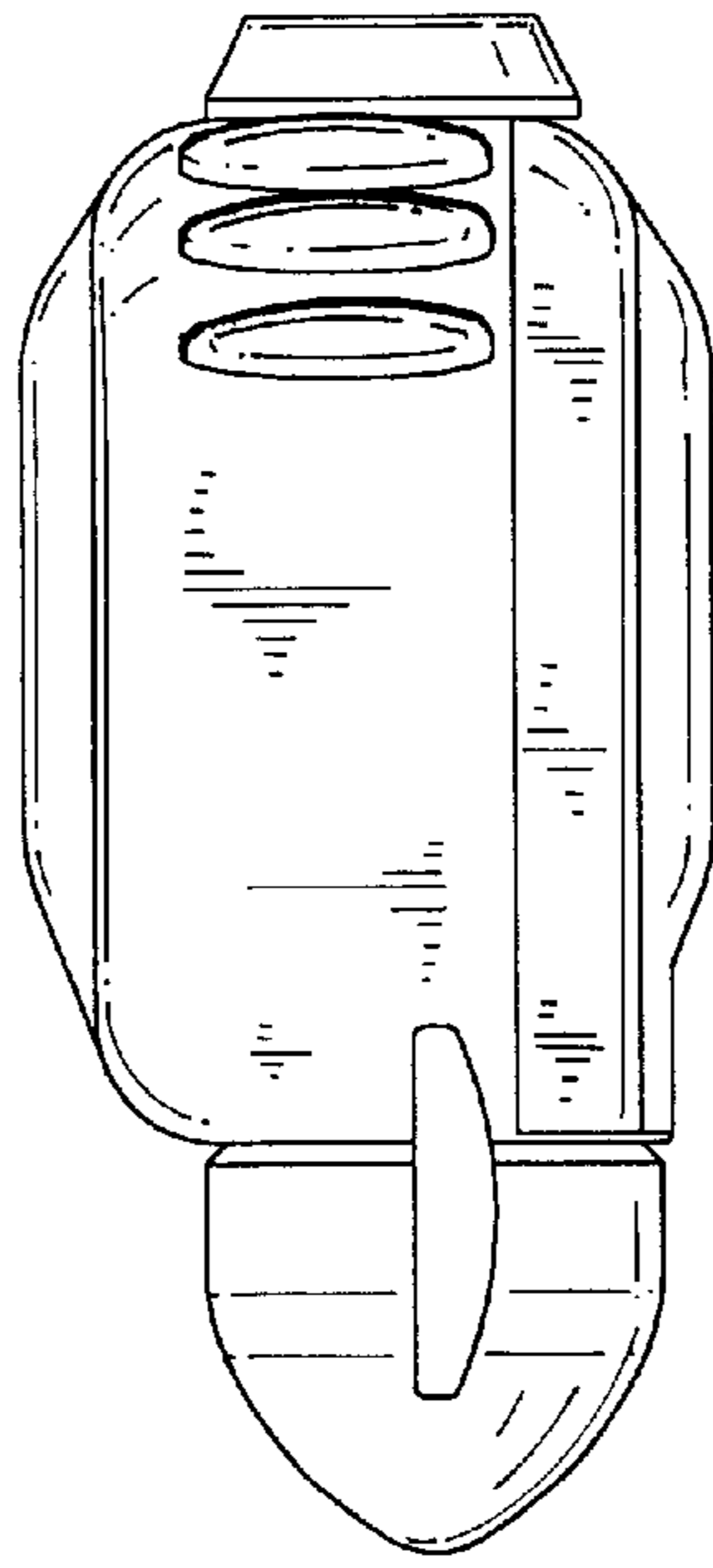


Fig. 4

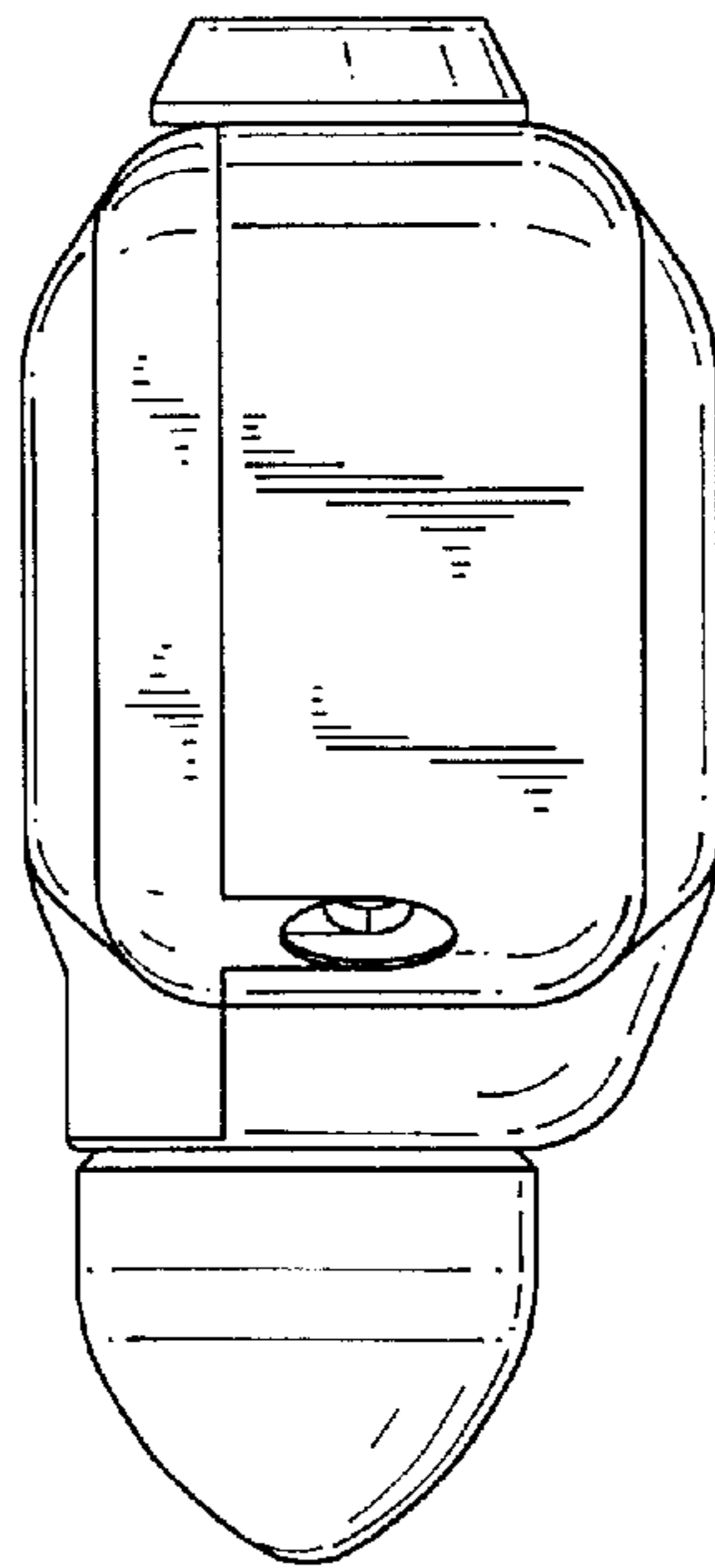


Fig. 5

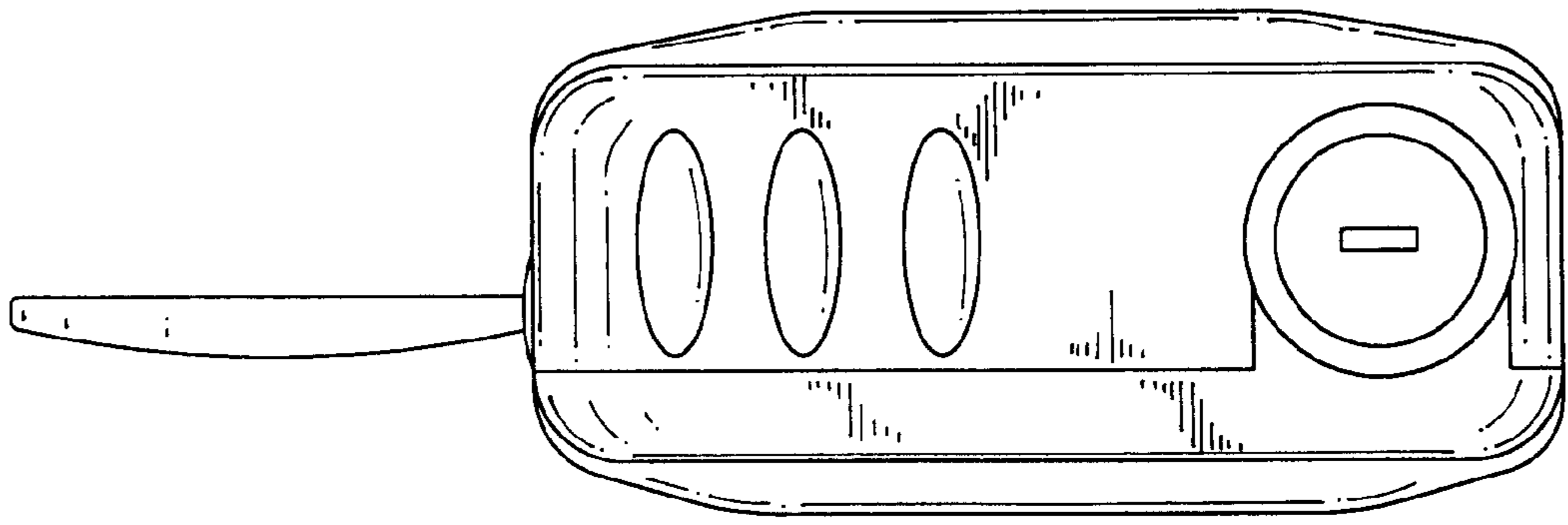


Fig. 6

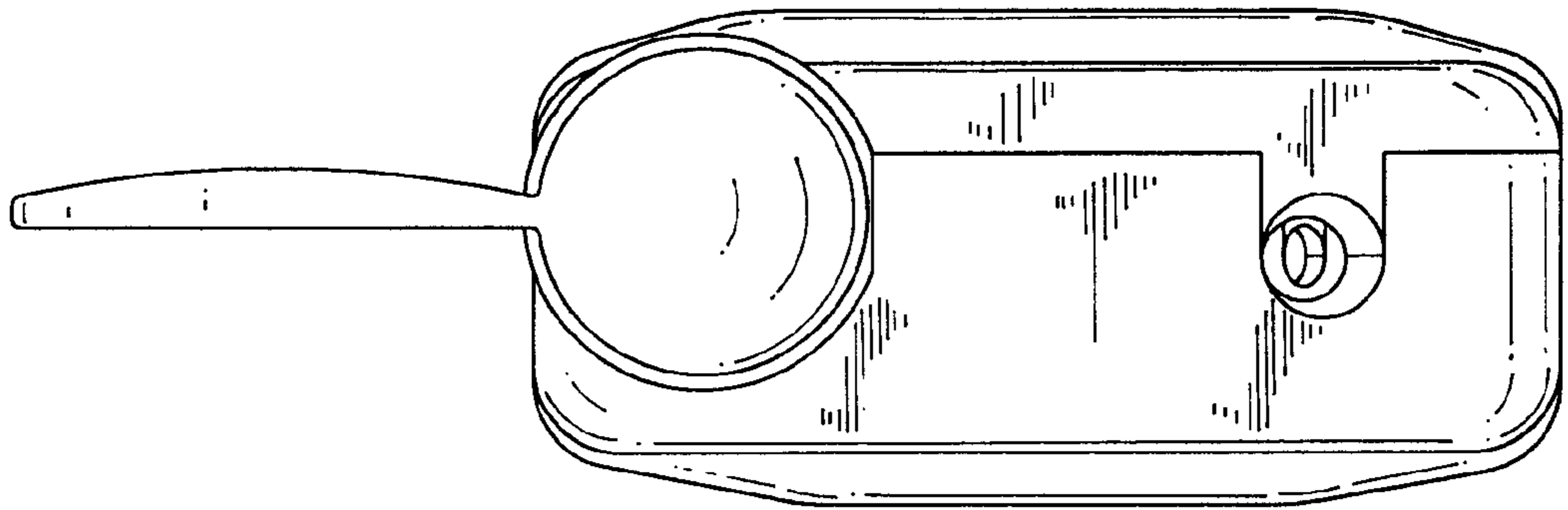


Fig. 7