



US00D430520S

# United States Patent [19]

[11] **Patent Number: Des. 430,520**

**Benoun**

[45] **Date of Patent: \*\* Sep. 5, 2000**

[54] **HITCH INSERT**

D. 402,601 12/1998 Julian ..... D12/162  
D. 415,080 10/1999 Schultz ..... D12/162  
4,852,902 8/1989 Young et al. .... 280/507

[76] Inventor: **Morris Benoun**, 1421 S. Highland, #P,  
Fullerton, Calif. 92832

*Primary Examiner*—Stacia Cadmus  
*Attorney, Agent, or Firm*—Goldstein & Canino

[\*\*] Term: **14 Years**

[57] **CLAIM**

[21] Appl. No.: **29/119,763**

The ornamental design for a hitch insert, as shown and described.

[22] Filed: **Mar. 7, 2000**

[51] **LOC (7) Cl.** ..... **12-16**

**DESCRIPTION**

[52] **U.S. Cl.** ..... **D12/162**

[58] **Field of Search** ..... D12/162, 400;  
D9/307, 441, 451; D29/106; 211/14; 280/477,  
490.1, 507, 511

FIG. 1 is a perspective view of a hitch insert showing my new design, shown in its position of use;  
FIG. 2 is an enlarged front elevational view thereof;  
FIG. 3 is an enlarged rear elevational view thereof;  
FIG. 4 is an enlarged top plan view thereof, it being understood that the bottom view is a mirror image thereof; and,  
FIG. 5 is an enlarged left side elevational view thereof, it being understood that the right side is a mirror image thereof.

[56] **References Cited**

**U.S. PATENT DOCUMENTS**

D. 298,105 10/1988 Lamantia, Jr. .... D9/307  
D. 317,890 7/1991 Bachmann ..... D12/162  
D. 357,541 4/1995 Neidell ..... D9/307 X  
D. 358,794 5/1995 Thigpen ..... D12/162  
D. 359,018 6/1995 Thigpen ..... D12/162  
D. 373,310 9/1996 Trautmann ..... D12/162  
D. 399,802 10/1998 Adelaar ..... D12/162  
D. 401,193 11/1998 Julian ..... D12/162

The broken line showing of environment is for illustrative purposes only and forms no part of the claimed design.

**1 Claim, 2 Drawing Sheets**

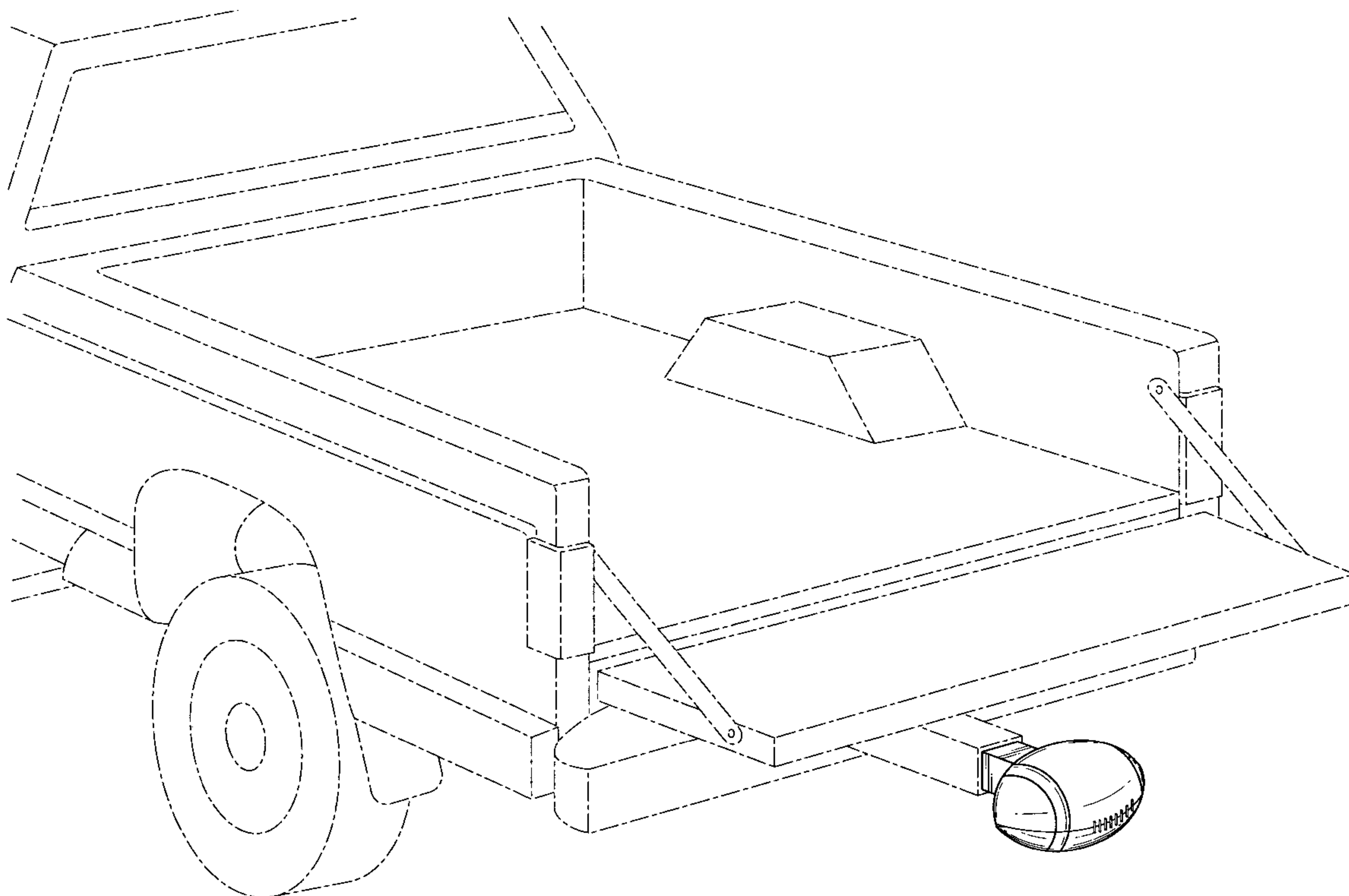


FIG. 1

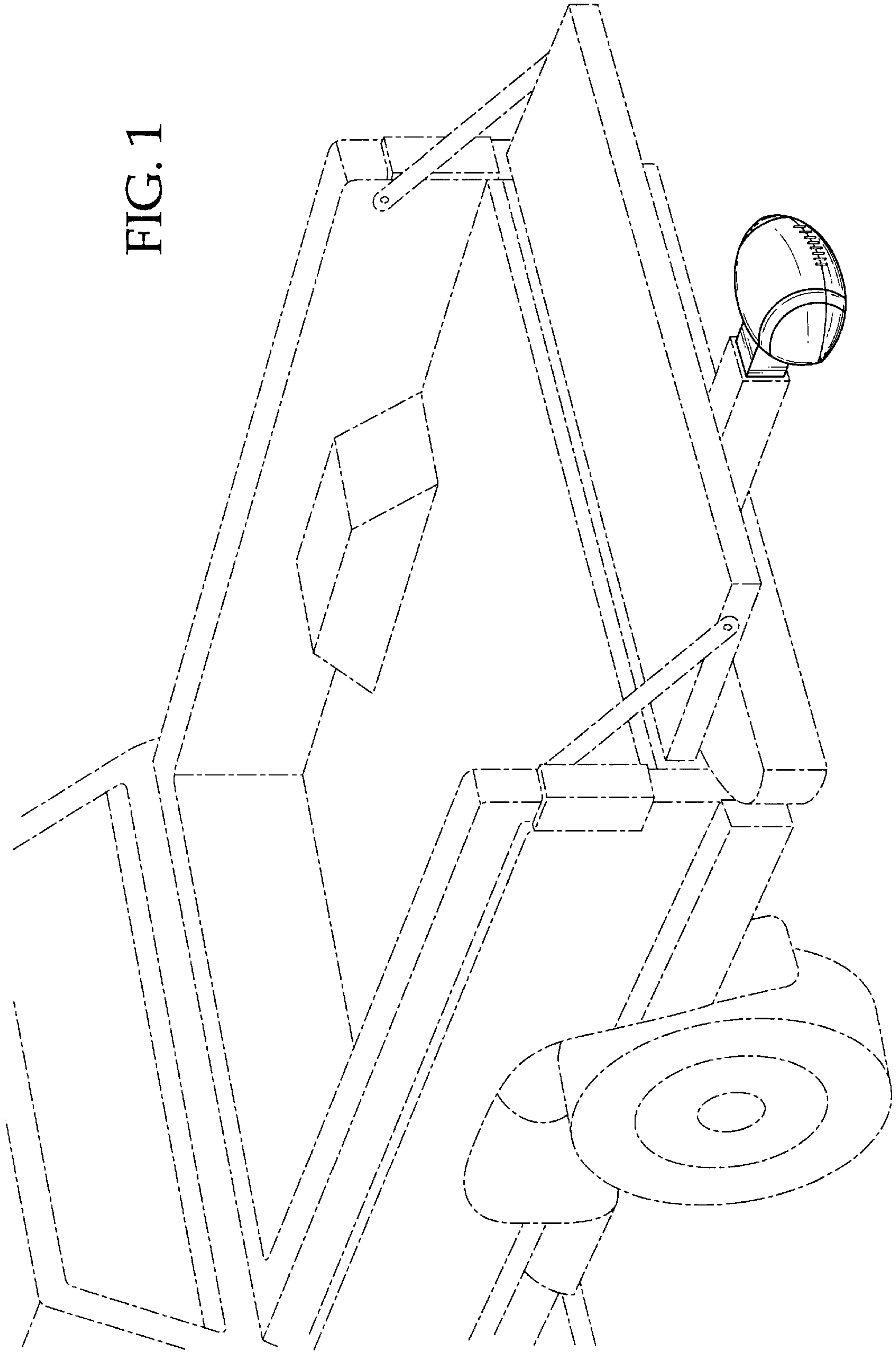


FIG. 2

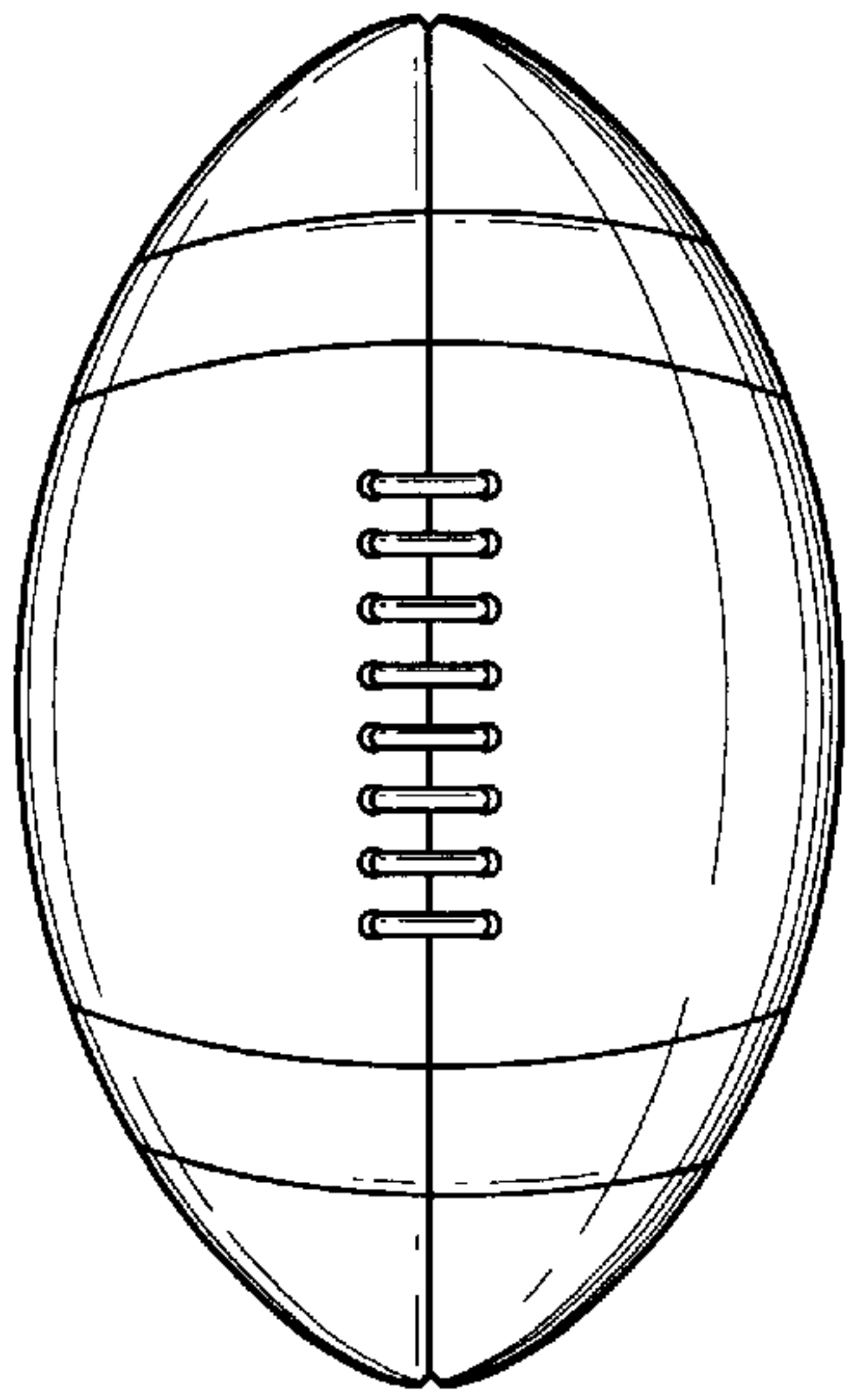


FIG. 3

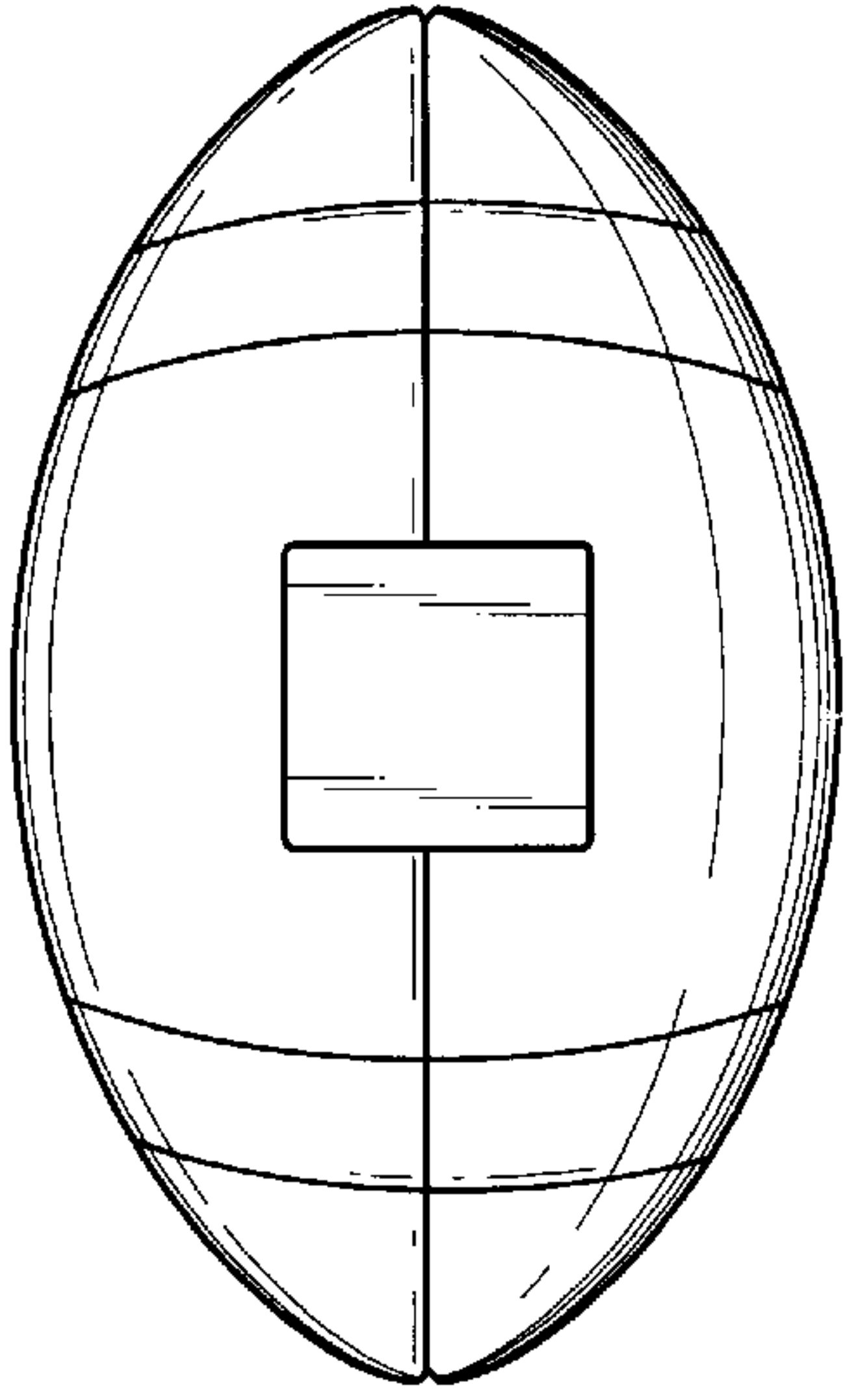


FIG. 4

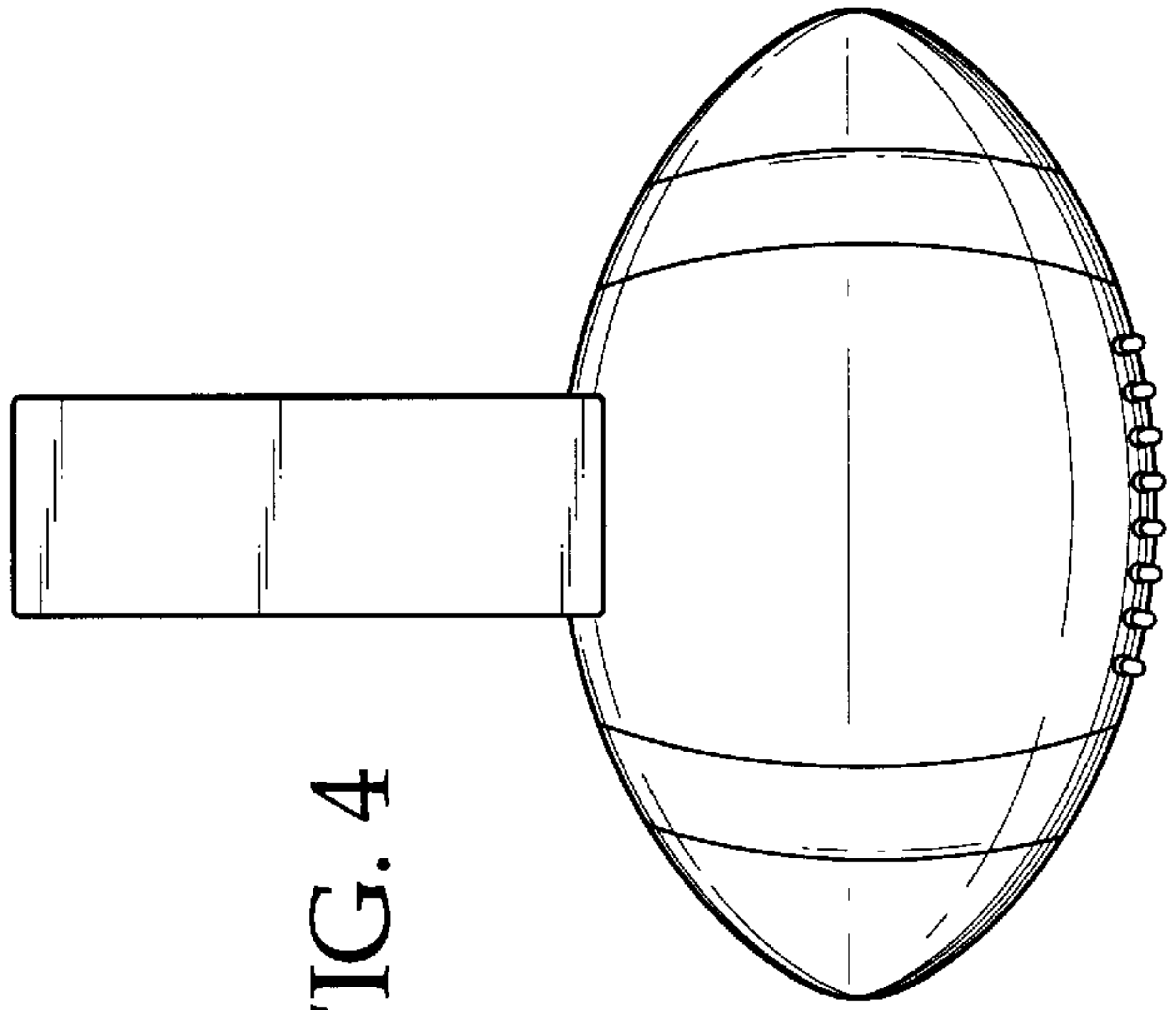


FIG. 5

