



US00D430519S

United States Patent [19] Beauvais

[11] **Patent Number: Des. 430,519**

[45] **Date of Patent: ** Sep. 5, 2000**

[54] **TRAILER HITCH COVER**

[75] Inventor: **Donald K. Beauvais**, Shreveport, La.

[73] Assignee: **Custom "Logo Lite" Manufacturing, Inc.**, Shreveport, La.

[**] Term: **14 Years**

[21] Appl. No.: **29/113,659**

[22] Filed: **Nov. 9, 1999**

[51] **LOC (7) Cl.** **12-16**

[52] **U.S. Cl.** **D12/162**

[58] **Field of Search** D12/162, 400;
D26/24, 28-36, 38, 138-139; 280/495,
506, 507, 504, 511; 293/122; 138/89-89.4;
362/806, 505, 459-460, 484, 485-487,
495, 496-499, 549, 506, 418-419, 427-428,
269, 275

[56] **References Cited**

U.S. PATENT DOCUMENTS

- D. 50,930 6/1917 Becker D26/28
- D. 361,147 8/1995 Wedell et al. D26/63

- D. 368,059 3/1996 Barth D12/162
- D. 405,744 2/1999 Young et al. D12/162
- D. 415,457 10/1999 Young et al. D12/162
- D. 419,505 1/2000 Deerman D12/162

OTHER PUBLICATIONS

JC Whitney Catalog, p. 81, See "Trailer Hitch Light", Dec. 1998.

Primary Examiner—Stacia Cadmus
Attorney, Agent, or Firm—Roy, Kiesel & Tucker

[57] **CLAIM**

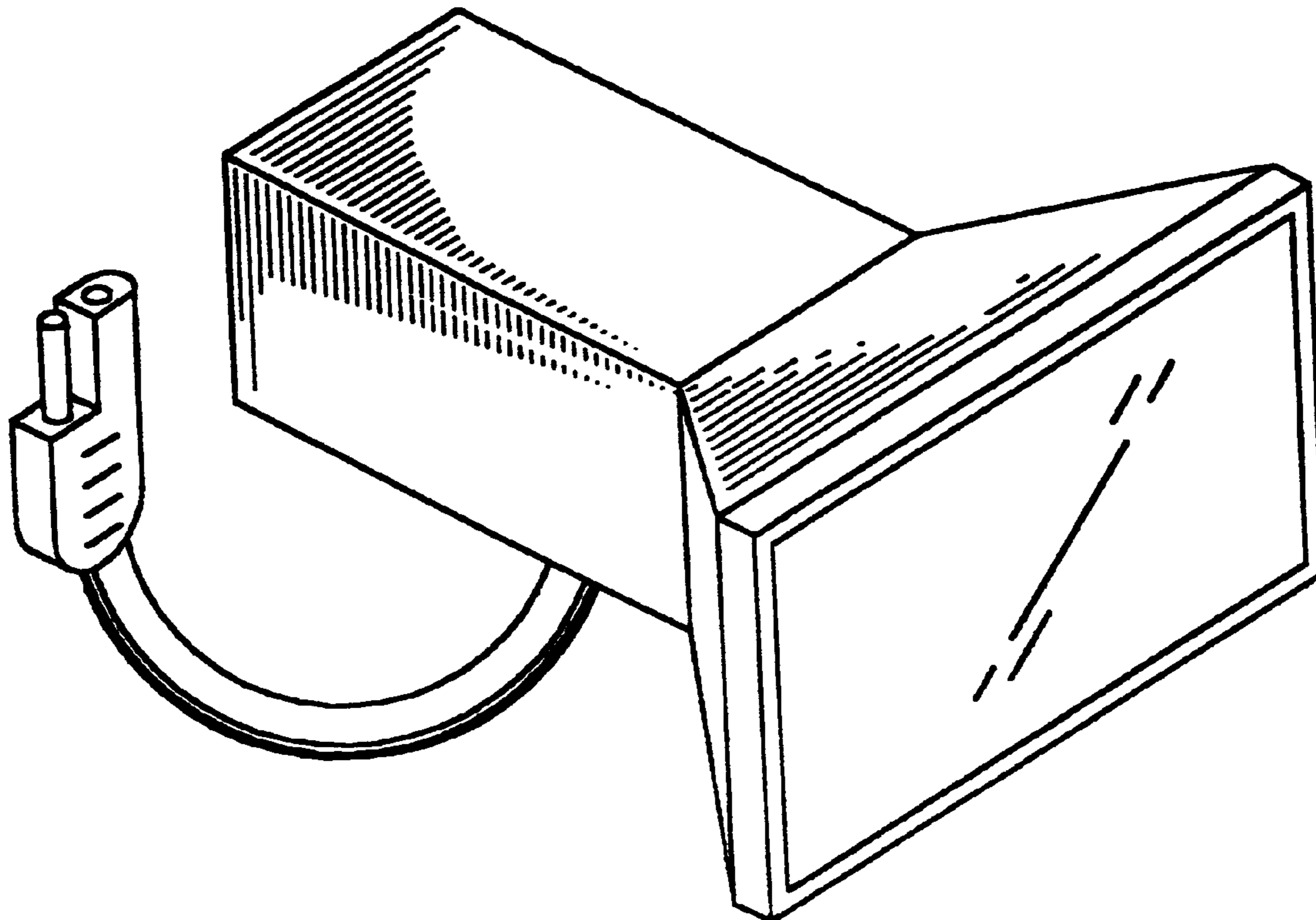
The ornamental design for a trailer hitch cover, as shown and described.

DESCRIPTION

FIG. 1 is a front perspective view of a trailer hitch cover, showing my new design; and, FIG. 2 is a rear perspective view thereof.

The surface(s) or portion(s) of the article not shown in the drawing or described in the specification form(s) no part of the claimed design.

1 Claim, 1 Drawing Sheet



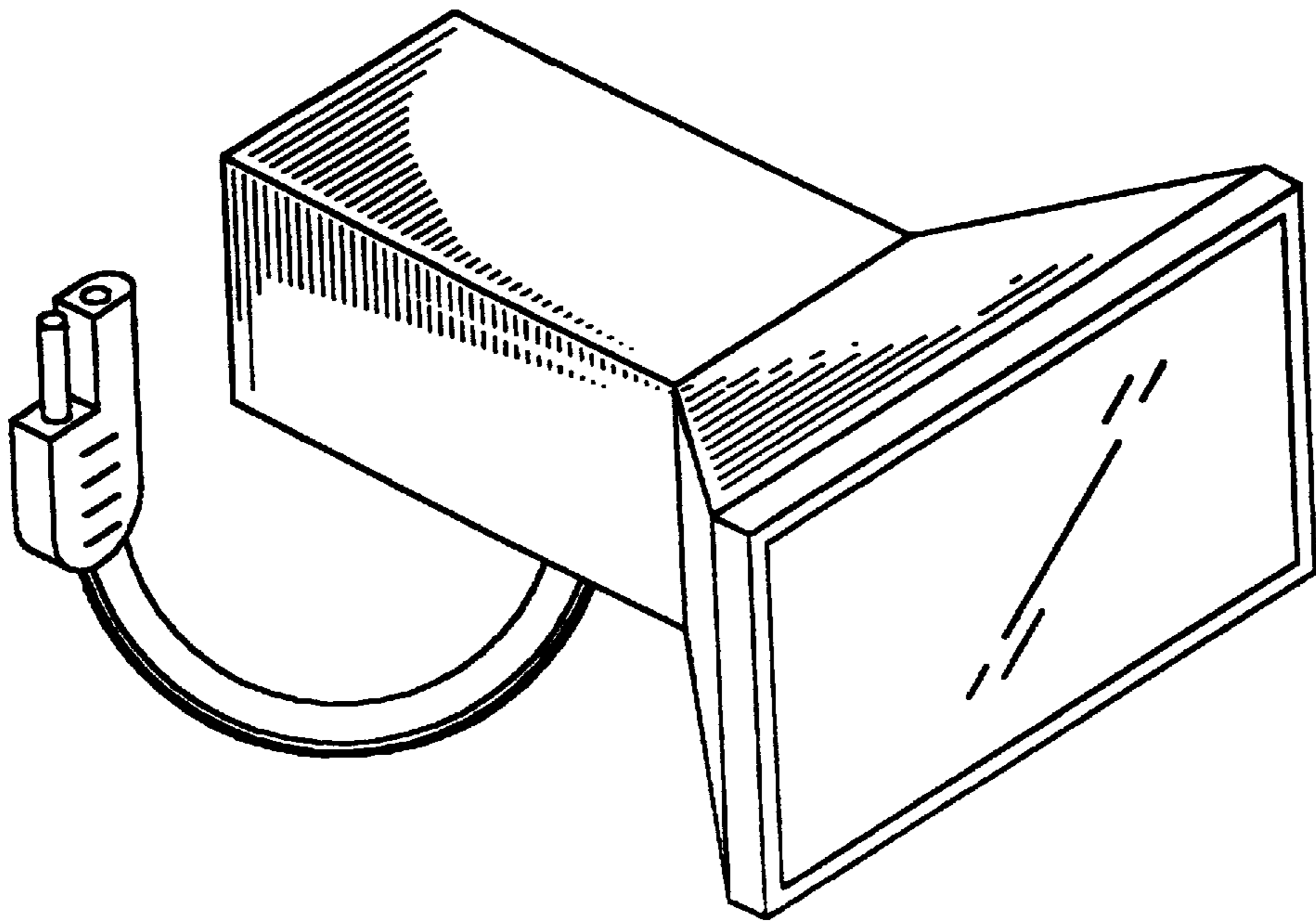


FIGURE 1

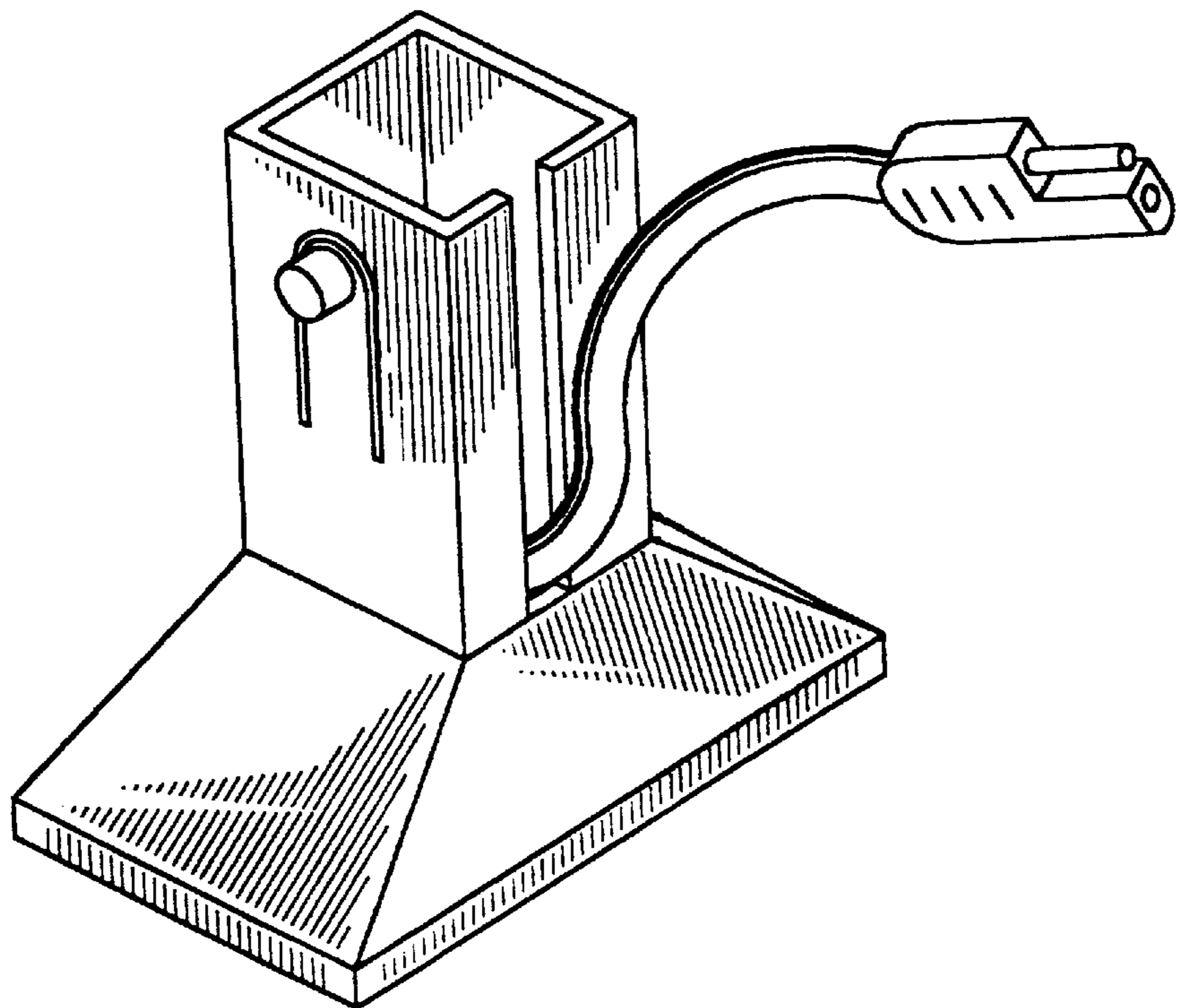


FIGURE 2