



US00D430517S

United States Patent [19]

Allison

[11] Patent Number: **Des. 430,517**

[45] Date of Patent: **** Sep. 5, 2000**

[54] TIRE TREAD

[75] Inventor: **William B. Allison**, Cuyahoga Falls, Ohio

[73] Assignee: **Bridgestone/Firestone Research, Inc.**, Akron, Ohio

[**] Term: **14 Years**

[21] Appl. No.: **29/115,821**

[22] Filed: **Dec. 21, 1999**

[51] **LOC (7) Cl.** **12-15**

[52] **U.S. Cl.** **D12/147**

[58] **Field of Search** D12/138-152;
152/209.1, 209.8, 209.9, 209.11, 209.13,
209.28, 900, 901, 902, 903

[56] References Cited

U.S. PATENT DOCUMENTS

D. 279,890	7/1985	Kusube	D12/146
D. 318,036	7/1991	Maxwell et al.	D12/147
D. 330,179	10/1992	Graas	D12/146
D. 335,110	4/1993	Louros	D12/147
D. 368,882	4/1996	Heinen et al.	D12/147
D. 369,767	5/1996	Himuro et al.	D12/147
D. 399,800	10/1998	Himuro et al.	D12/147
D. 412,305	7/1999	Harden, Jr. et al.	D12/147
5,454,411	10/1995	Weyrich et al.	152/209 D

OTHER PUBLICATIONS

Michelin XDY-1 Tire, 1998 Tread Design Guide, p. 151. 4/2, Jan. 1998.

Temco Mato Lug Tire, 1998 Tread Design Guide, p. 163. 1/2, Jan. 1998.

Primary Examiner—Robert M. Spear
Attorney, Agent, or Firm—Sand & Sebolt

[57] CLAIM

The ornamental design for a tire tread, as shown and described.

DESCRIPTION

FIG. 1 is a side perspective view of a tire tread showing my new design, it being understood that the tread pattern is repeated throughout the circumference of the tire tread, the opposite side being the same as that shown;

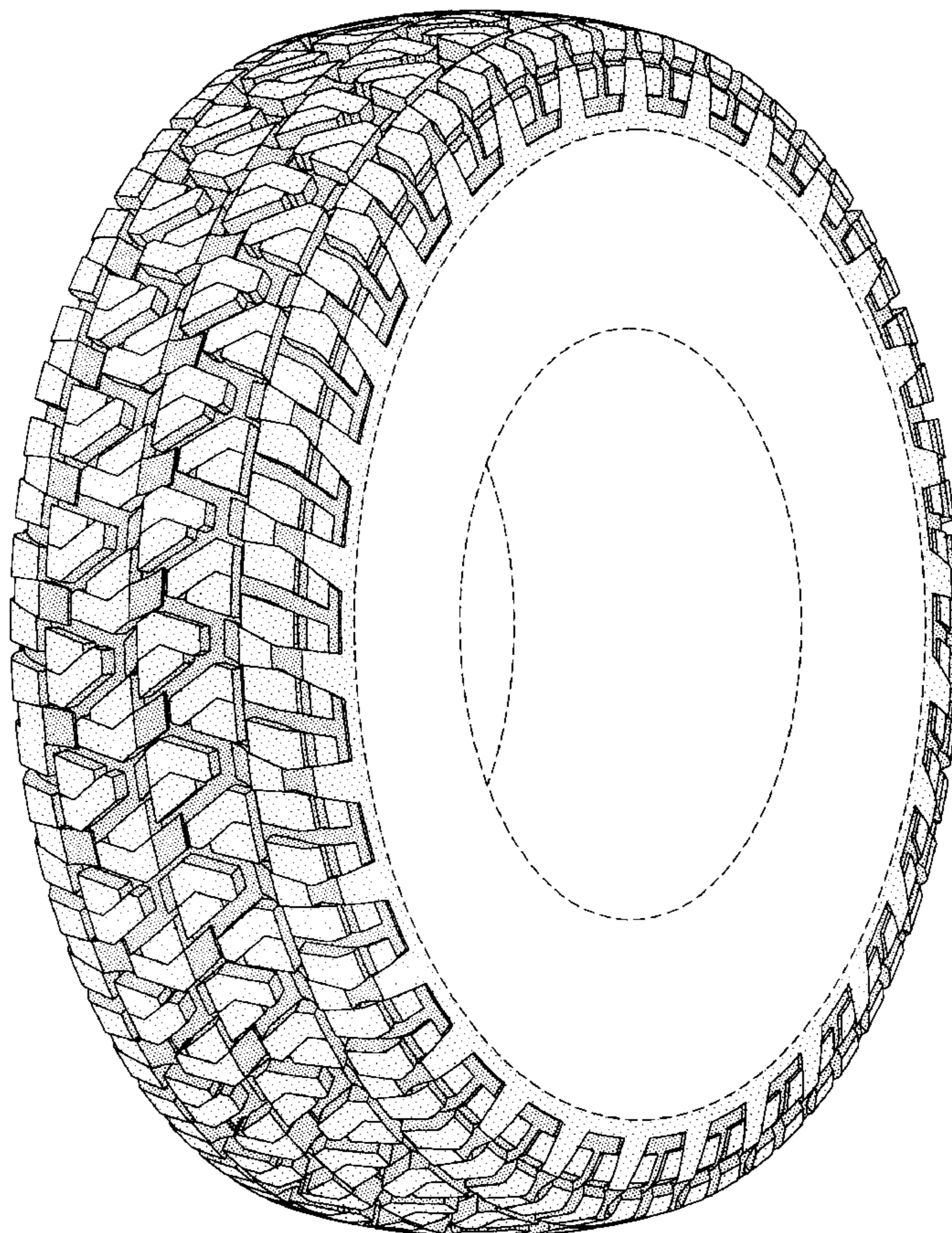
FIG. 2 is a front elevational view thereof;

FIG. 3 is a side elevational view of the right side thereof, the opposite side being identical thereto; and,

FIG. 4 is an enlarged fragmentary side perspective view thereof.

The broken lines defining the tire sidewall and inner bead and the peripheral boundary between the tire tread and sidewall are for illustrative purposes only and form no part of the claimed design.

1 Claim, 4 Drawing Sheets



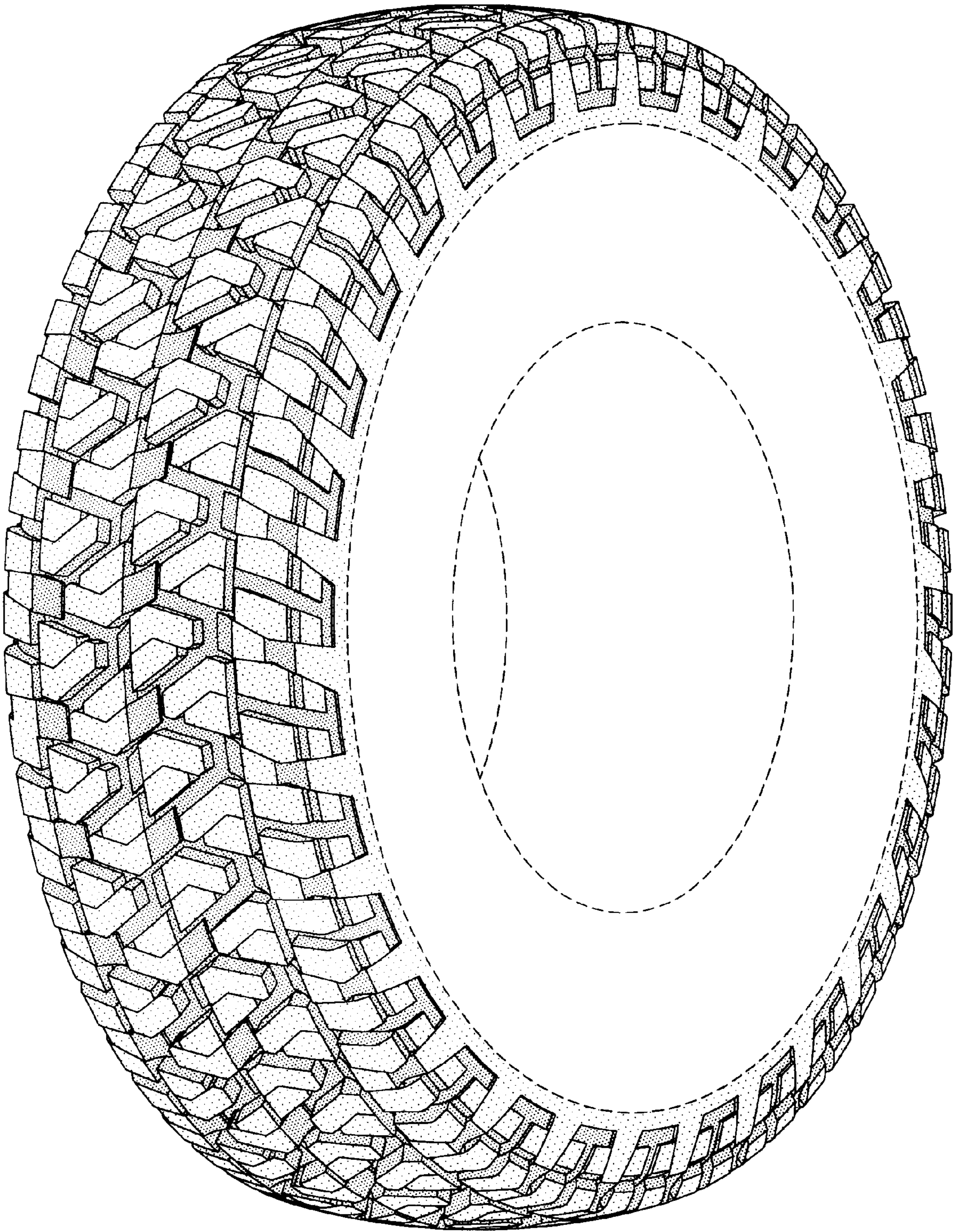


FIG-1

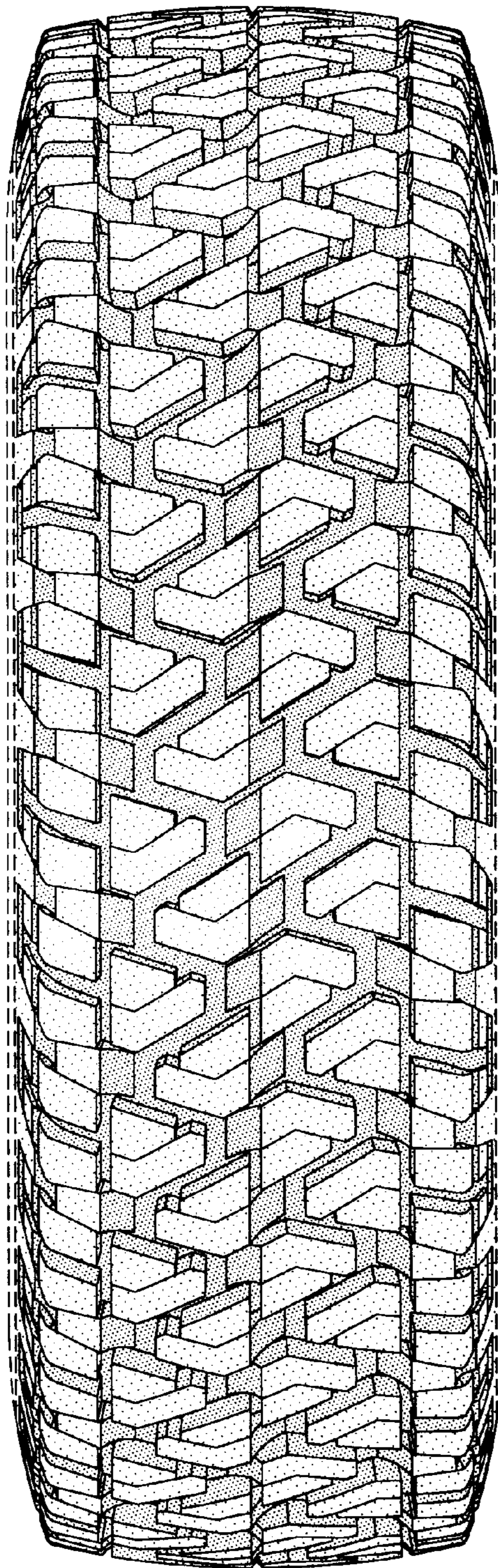


FIG-2

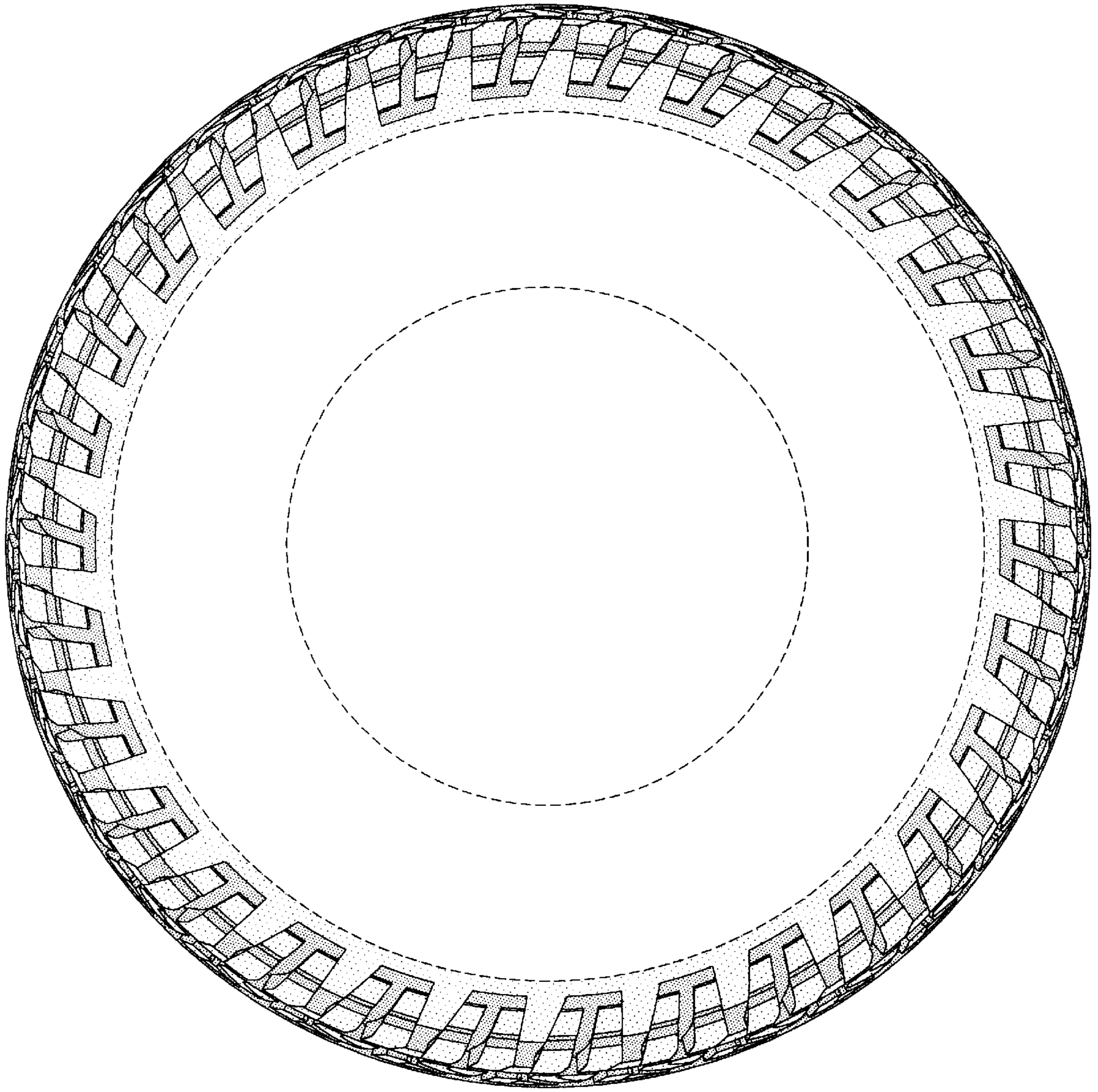


FIG-3

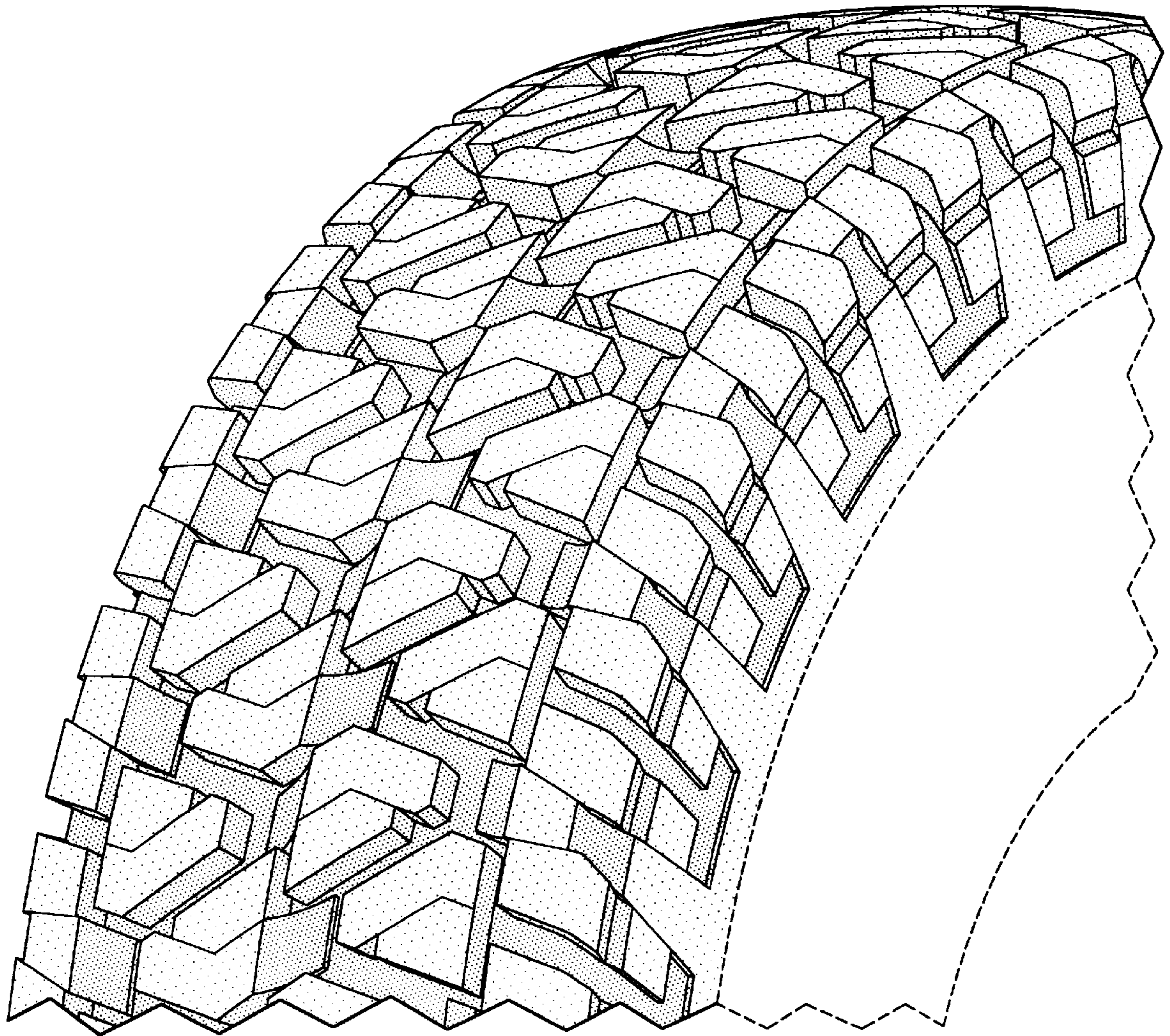


FIG-4