

US00D430516S

United States Patent [19]

Allison

[11] Patent Number: Des. 430,516

[45] Date of Patent: ** Sep. 5, 2000

[54] TIRE TREAD

5,421,389 6/1995 Favre et al. 152/209 R

[75] Inventor: William B. Allison, Cuyahoga Falls, Ohio

OTHER PUBLICATIONS

Temco Nato Lug Tire, 1998 Tread Design Guide, p. 163. 1/2, Jan. 1998.

[73] Assignee: Bridgestone Firestone Research, Inc., Akron, Ohio

Primary Examiner—Robert M Spear
Attorney, Agent, or Firm—Sand & Sebolt

[**] Term: 14 Years

[57] CLAIM

[21] Appl. No.: 29/115,814

The ornamental design for a tire tread, as shown and described.

[22] Filed: Dec. 21, 1999

DESCRIPTION

[51] LOC (7) Cl. 12-15

[52] U.S. Cl. D12/147

[58] Field of Search D12/138-152;
152/209.1, 209.8, 209.9, 209.11, 209.13,
209.28, 900, 901, 902, 903

FIG. 1 is a side perspective view of a tire tread showing my new design, it being understood that the tread pattern is repeated throughout the circumference of the tire tread, the opposite side being the same as that shown; FIG. 2 is a front elevational view thereof; FIG. 3 is a side elevational view of the right side thereof, the opposite side being identical thereto; and, FIG. 4 is an enlarged fragmentary side perspective view thereof.

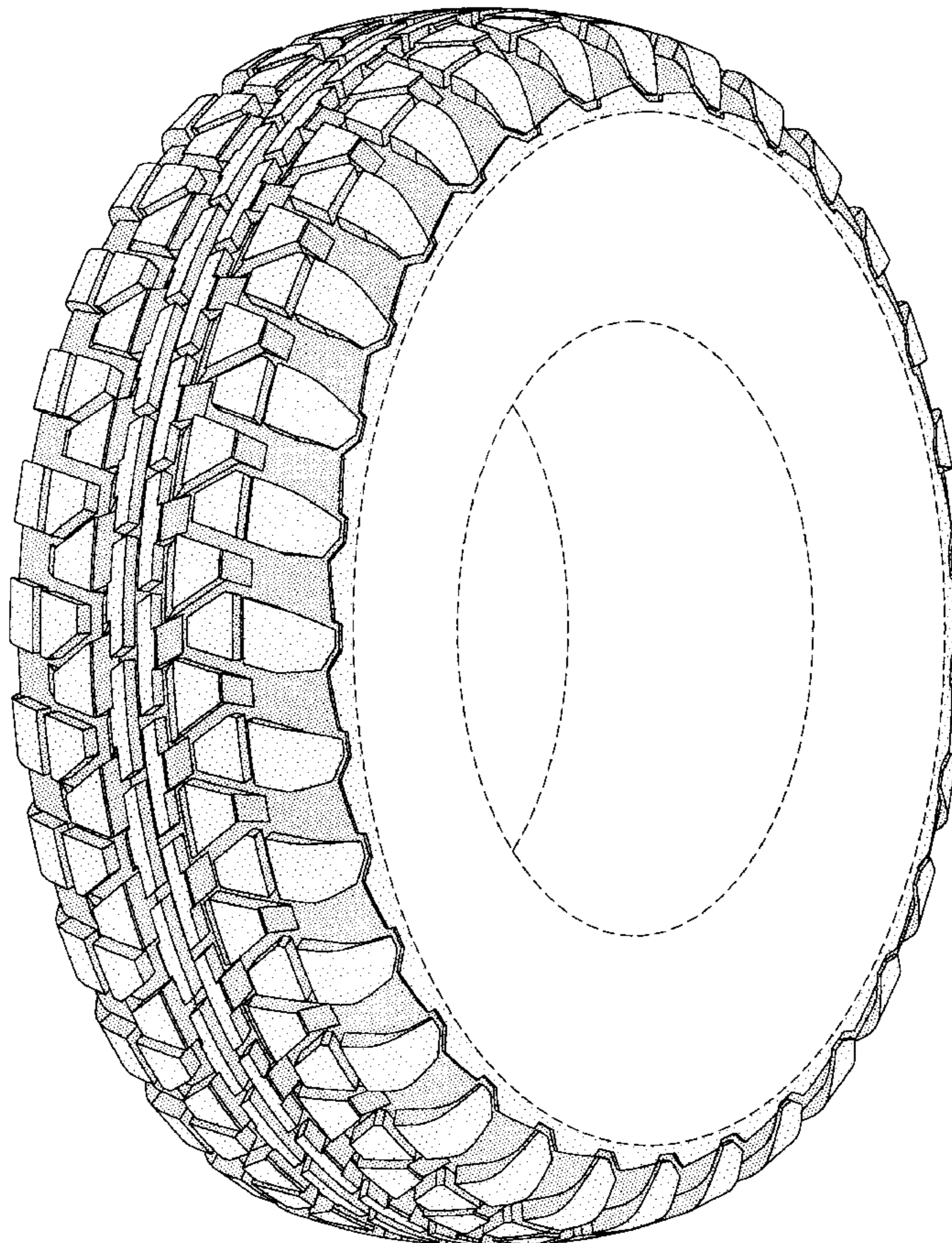
[56] References Cited

U.S. PATENT DOCUMENTS

D. 158,031	4/1950	Wilcox	D12/136
D. 287,956	1/1987	Nishio et al.	D12/147
D. 288,308	2/1987	Takenoya	D12/146
D. 313,212	12/1990	Hamada et al.	D12/147
D. 322,237	12/1991	Nakatani	D12/147
D. 322,589	12/1991	Nakatani	D12/147
D. 333,288	2/1993	Rogers et al.	D12/146
D. 368,689	4/1996	Heinen et al.	D12/147
D. 391,211	2/1998	Maxwell	D12/151

The broken lines defining the tire sidewall and inner bead and the peripheral boundary between the tire tread and sidewall are for illustrative purposes only and form no part of the claimed design.

1 Claim, 4 Drawing Sheets



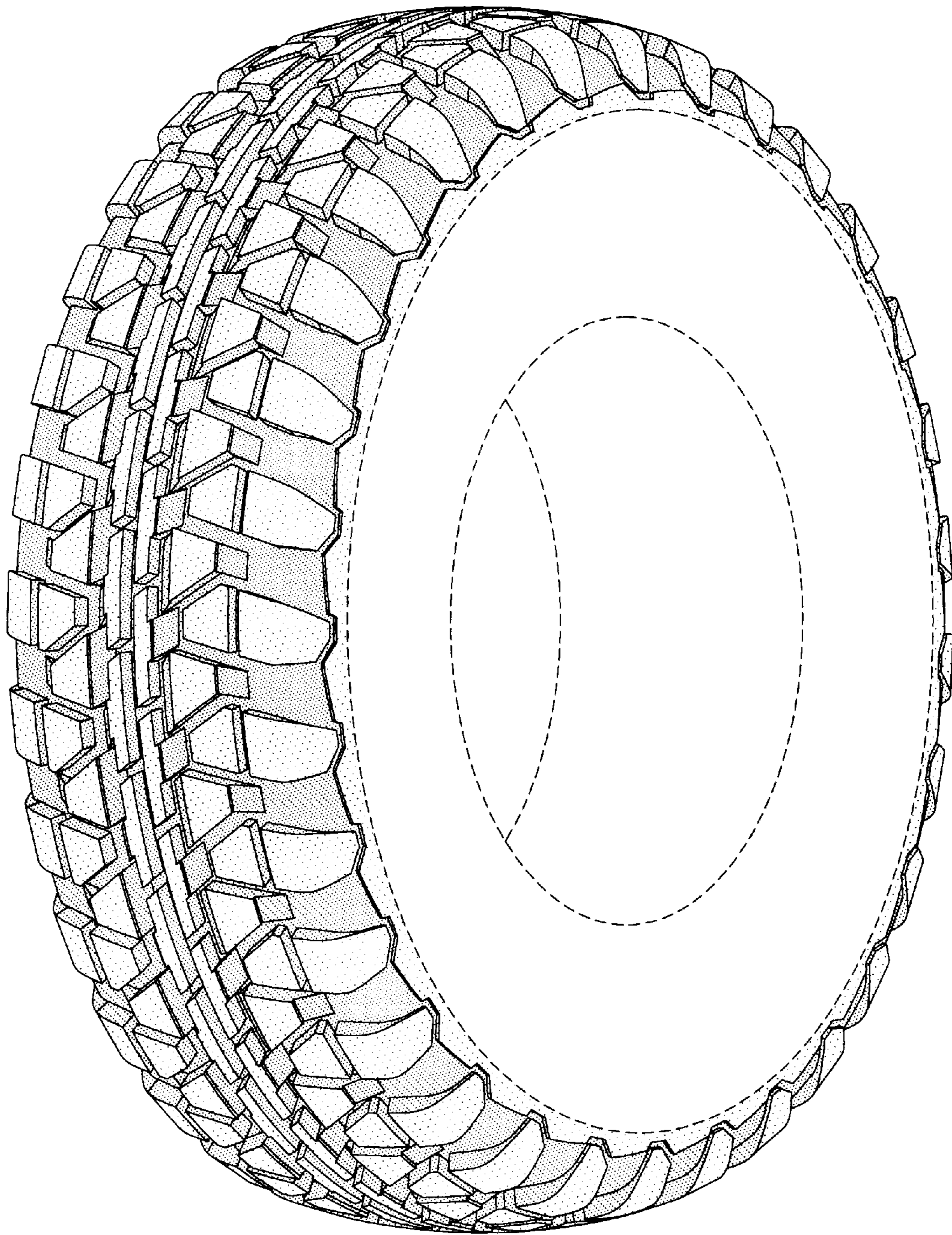


FIG-1

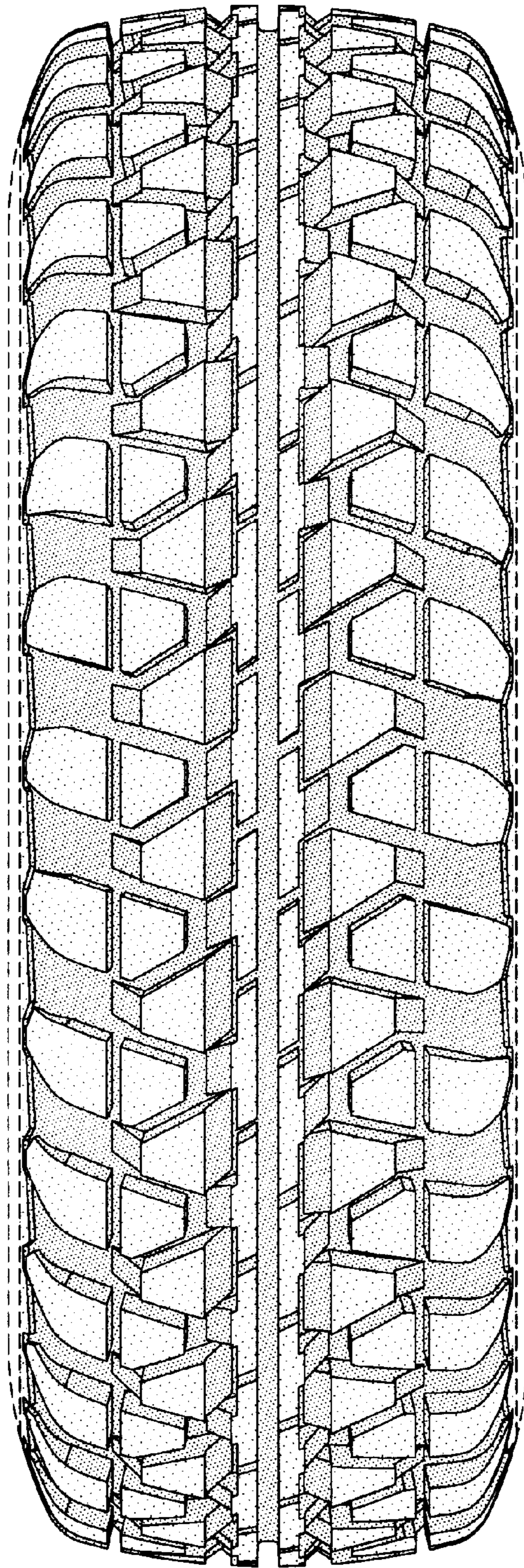


FIG-2

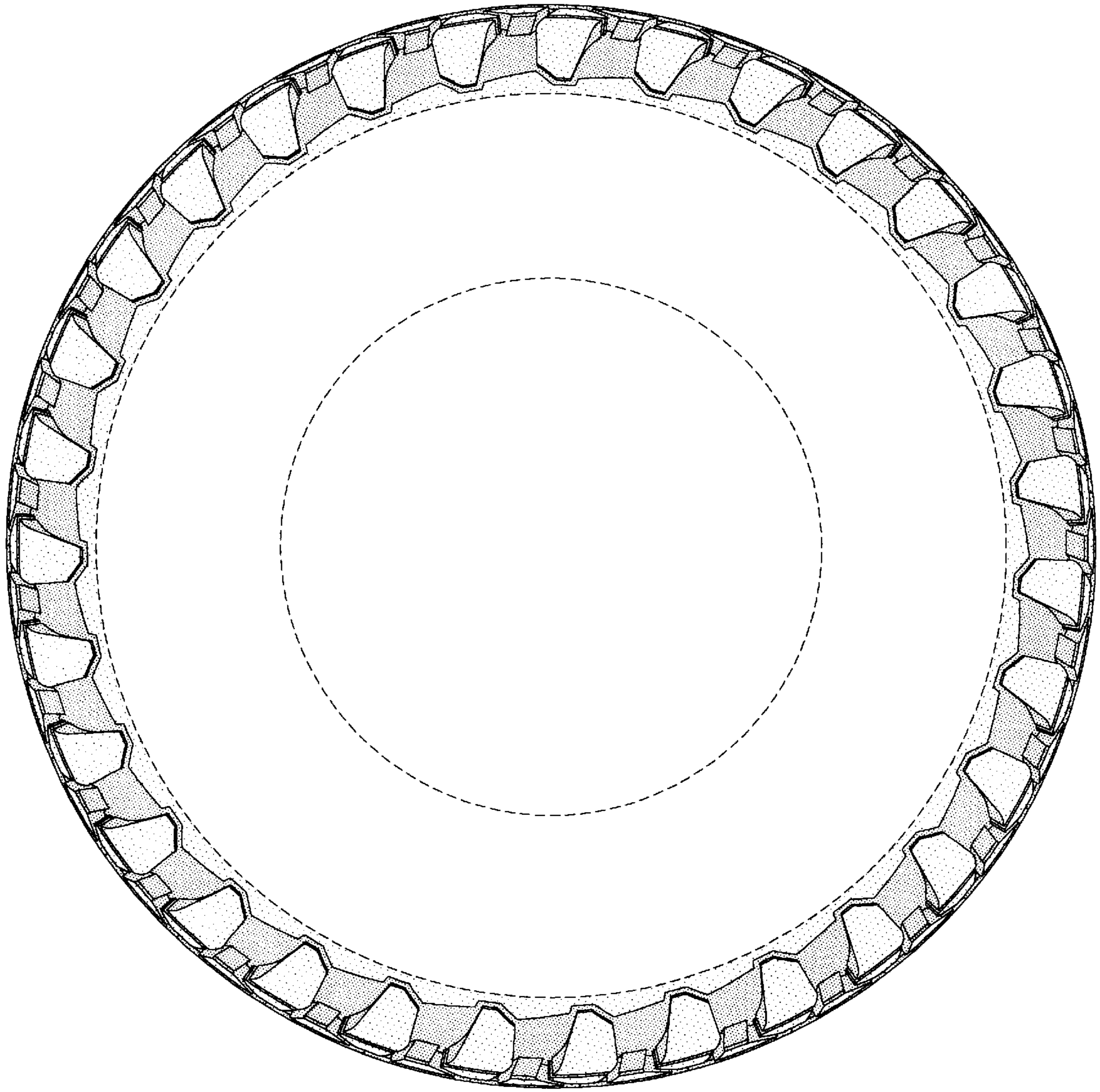


FIG-3

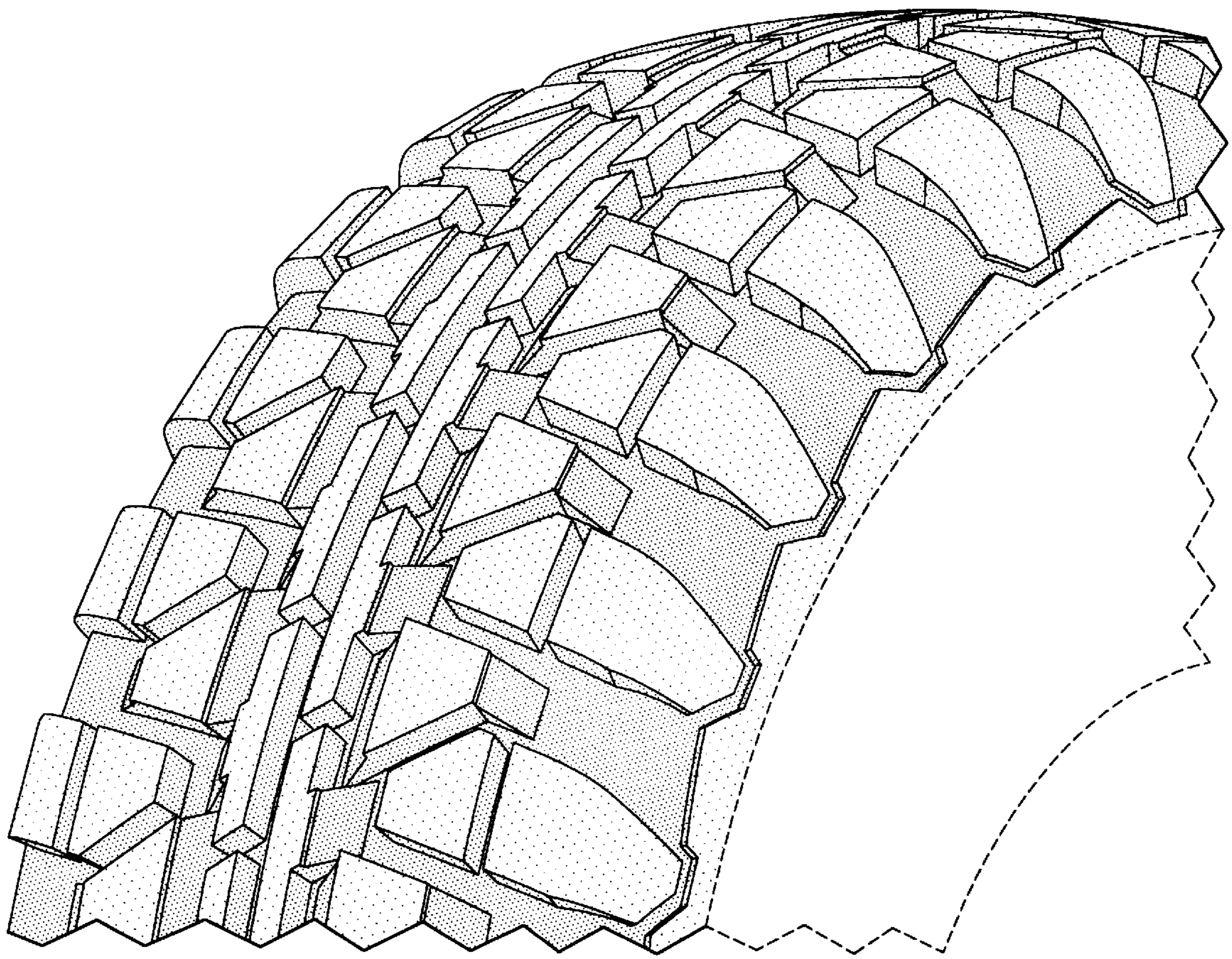


FIG-4