



US00D430504S

United States Patent [19]
Hacmon

[11] **Patent Number: Des. 430,504**

[45] **Date of Patent: ** Sep. 5, 2000**

[54] **PRECIOUS STONE ARRANGEMENT**

D. 384,593 10/1997 Katz D11/90

[75] Inventor: **Joseph Hacmon**, Ramat Gan, Israel

Primary Examiner—Ralf Seifert
Attorney, Agent, or Firm—Kenyon & Kenyon

[73] Assignee: **Australia Diamonds Ltd.**, Ramat Gan, Israel

[57] **CLAIM**

[**] Term: **14 Years**

The ornamental design for a precious stone arrangement, as shown and described.

[21] Appl. No.: **29/114,966**

DESCRIPTION

[22] Filed: **Dec. 3, 1999**

[51] **LOC (7) Cl.** **11-01**

[52] **U.S. Cl.** **D11/90**

[58] **Field of Search** D11/1-6, 26-29,
D11/35-40, 86-92, 121, 131-133; 63/1.1,
26, 32, 15-15.4

FIG. 1 is a front perspective view of a precious stone arrangement;

FIG. 2 is a rear perspective view of a precious stone arrangement;

FIG. 3 is a right perspective view of the precious stone arrangement;

FIG. 4 is a first side view of a precious stone arrangement;

FIG. 5 is a top view of a precious stone arrangement;

FIG. 6 is a second view of a precious stone arrangement;

FIG. 7 is a third side view of a precious stone arrangement; and,

FIG. 8 is a fourth side view of a precious stone arrangement.

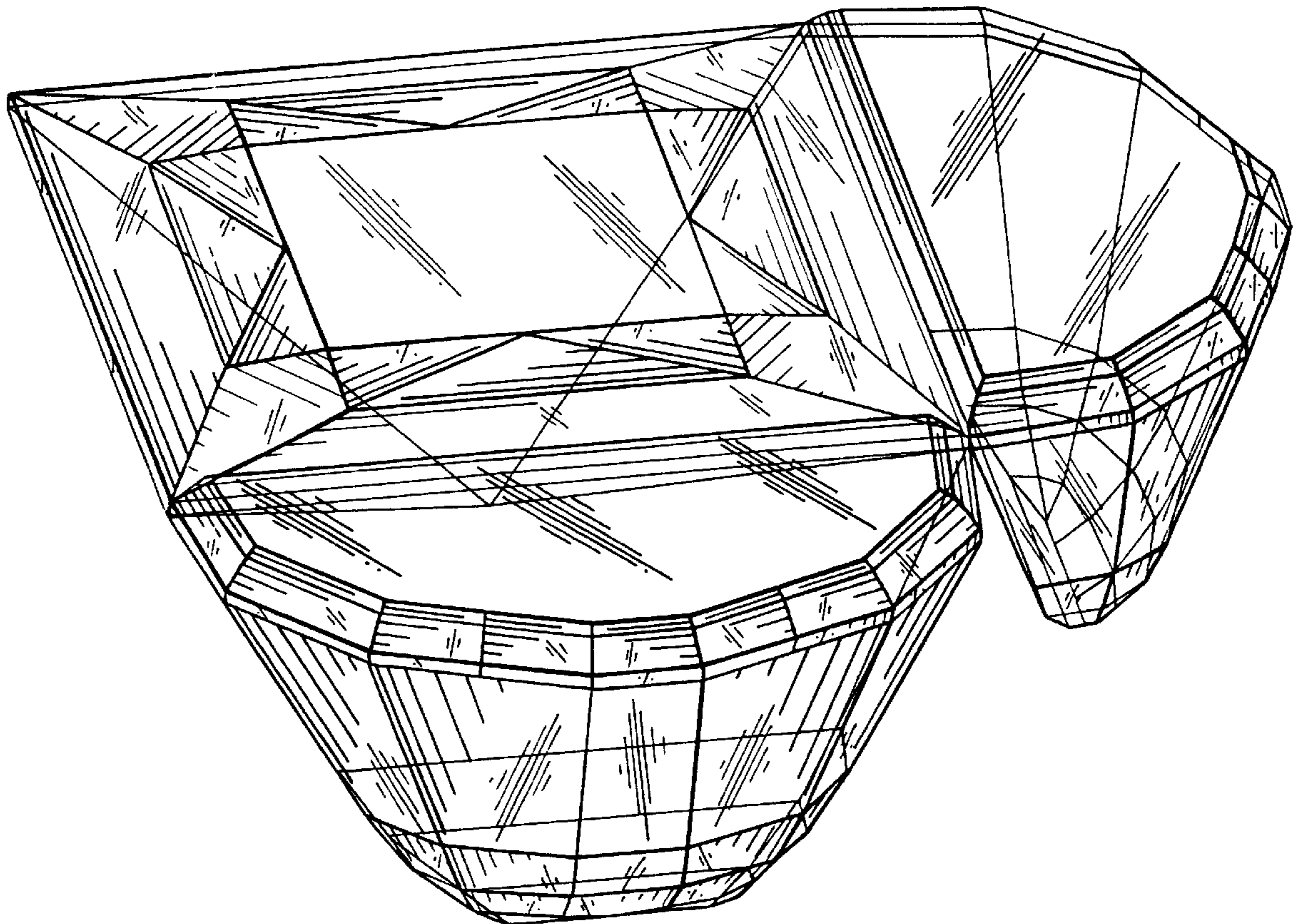
A broken line illustration of the facets in the drawings is not a part of the design sought to be patented or claimed.

[56] **References Cited**

U.S. PATENT DOCUMENTS

D. 209,771	1/1968	Saltzman	D11/90
D. 273,372	4/1984	Gennari	D11/90
D. 283,878	5/1986	Hendrickson	D11/90
D. 334,154	3/1993	Benderly	D11/90
D. 373,551	9/1996	Udko	D11/90

1 Claim, 8 Drawing Sheets



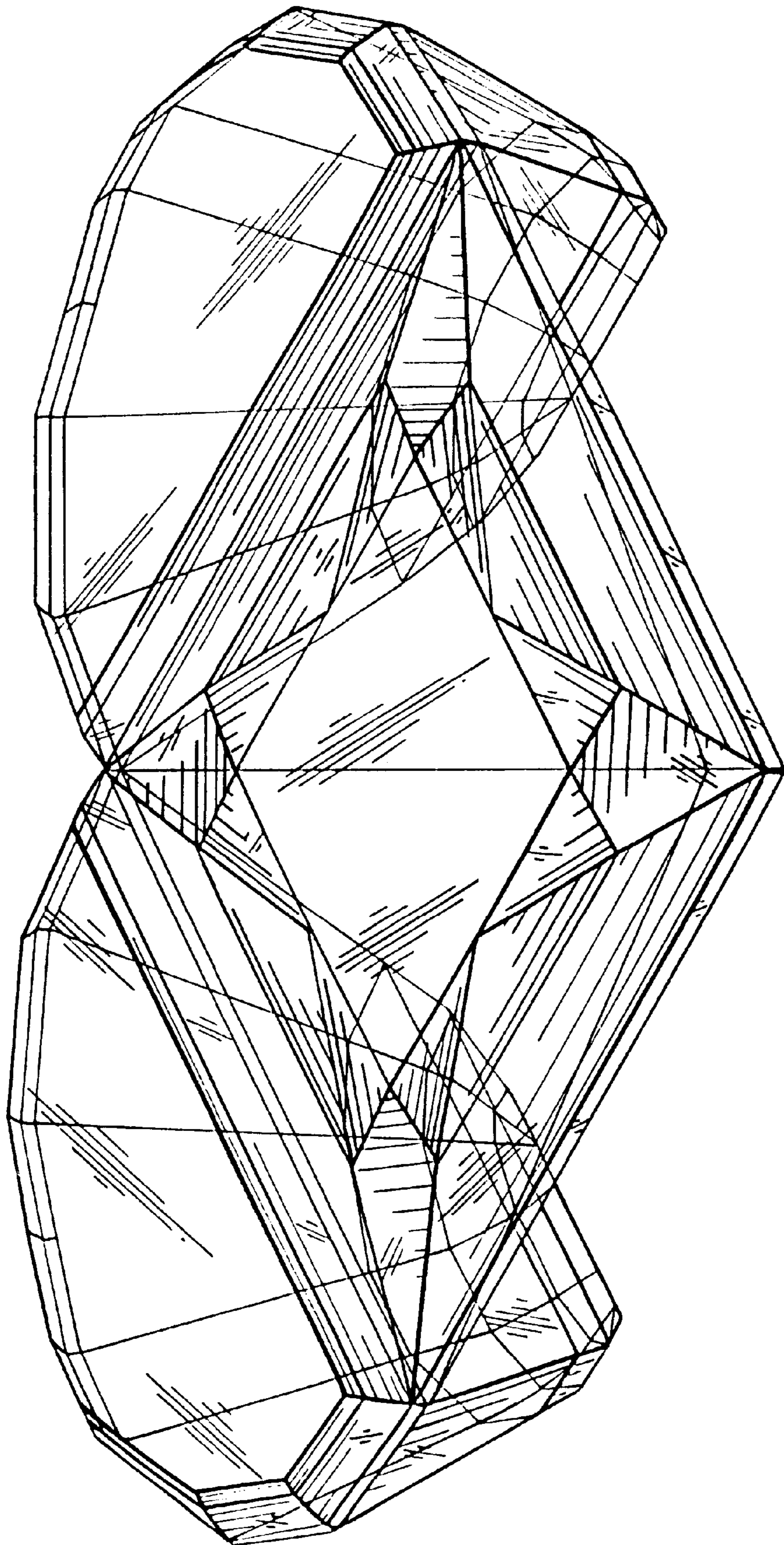


FIG. 1

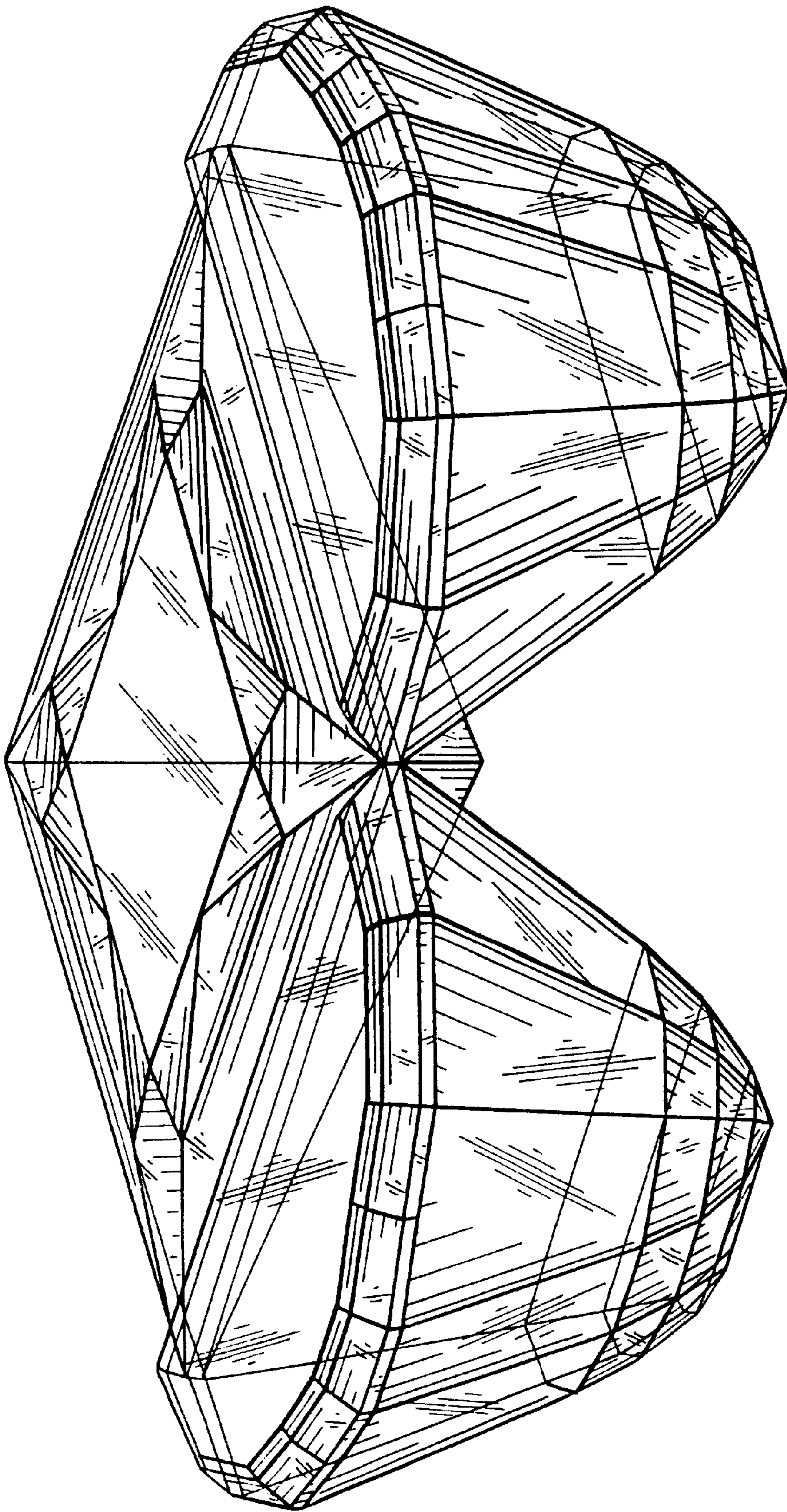


FIG. 2

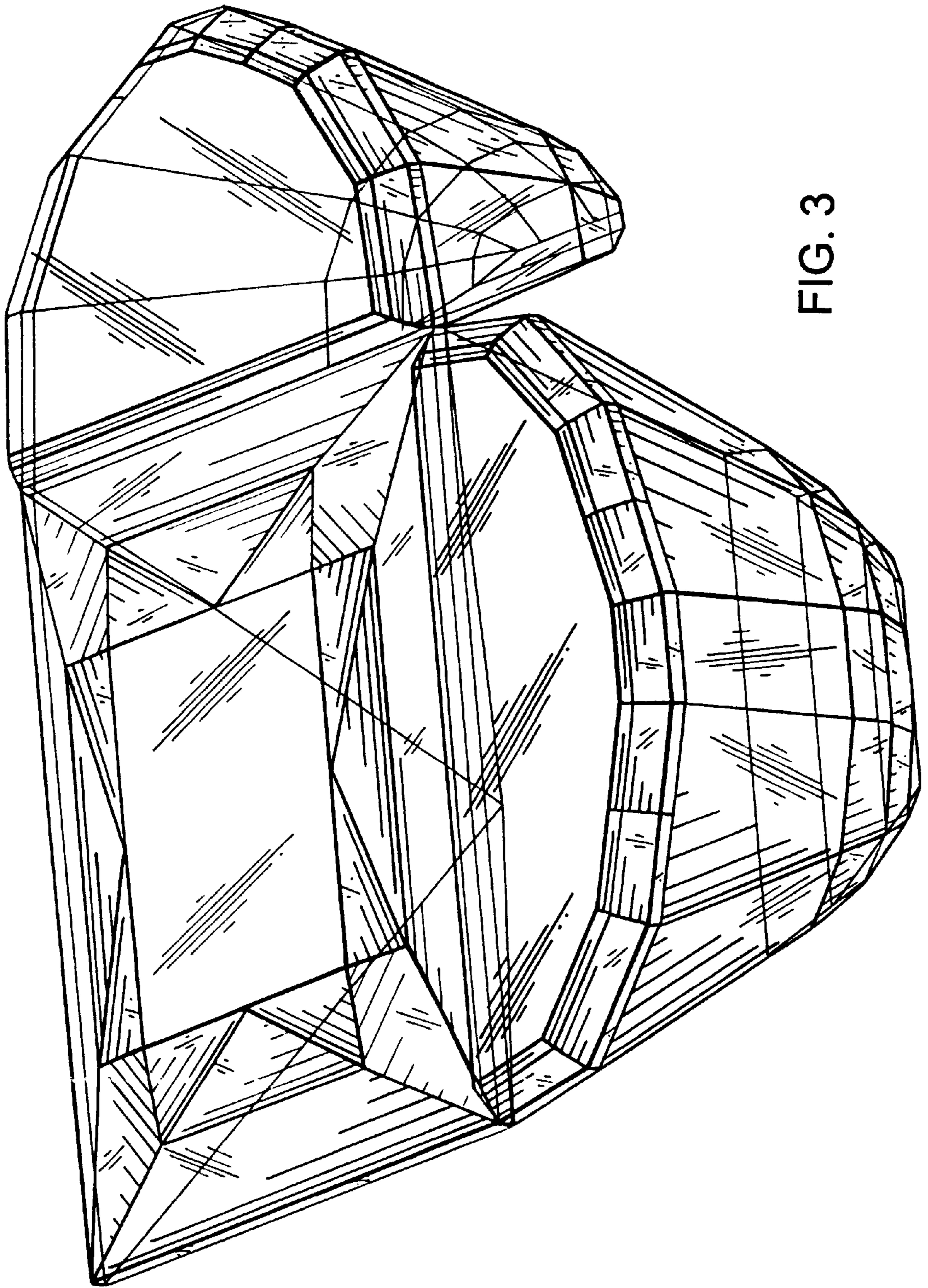


FIG. 3

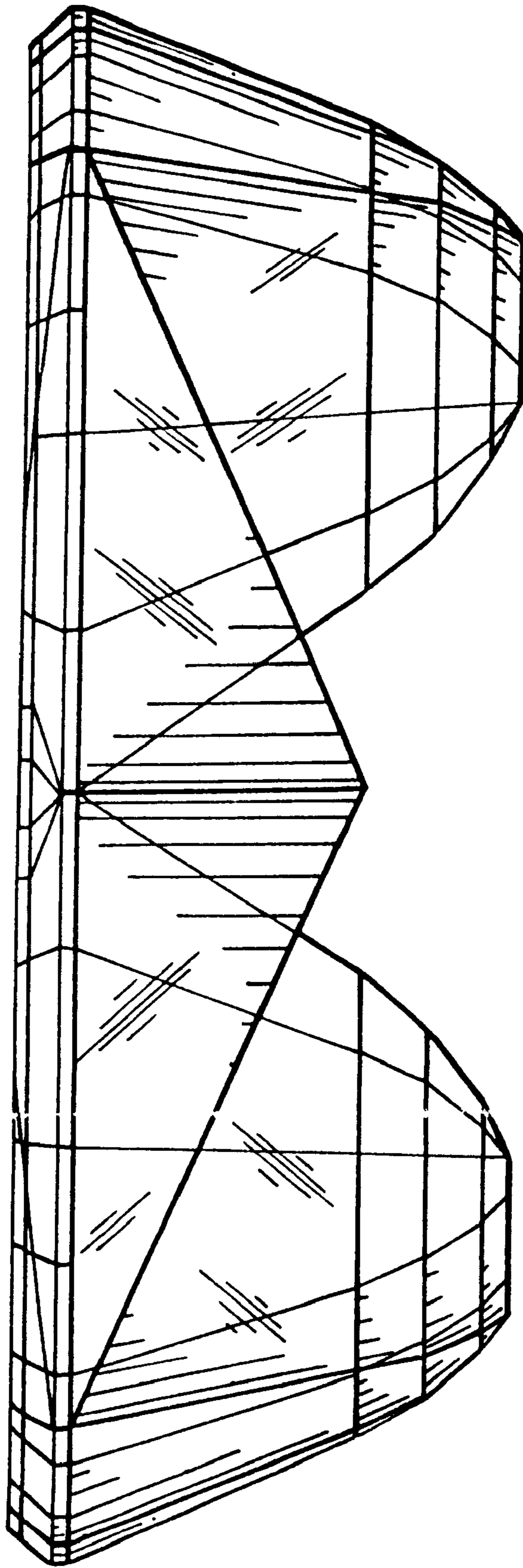


FIG. 4

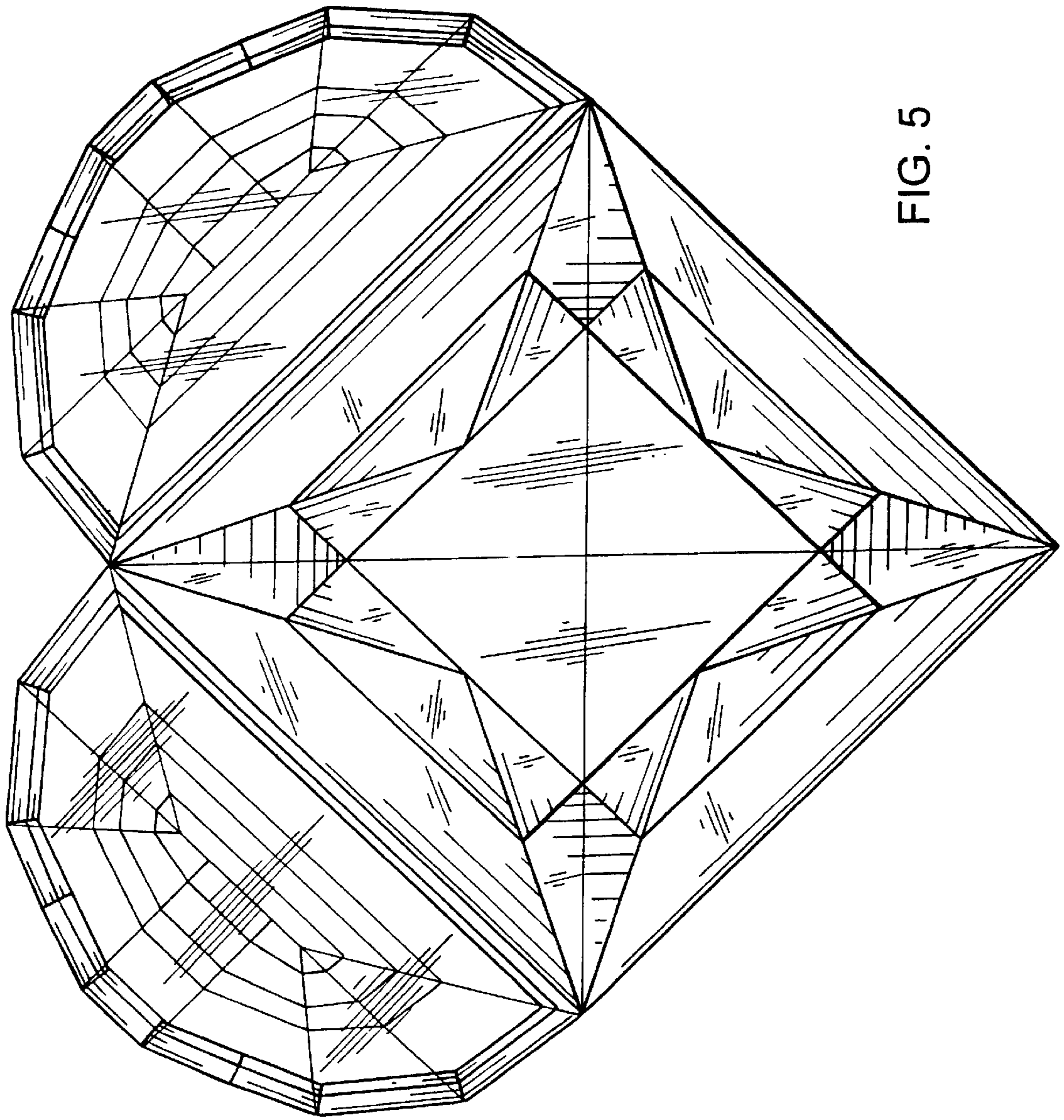


FIG. 5

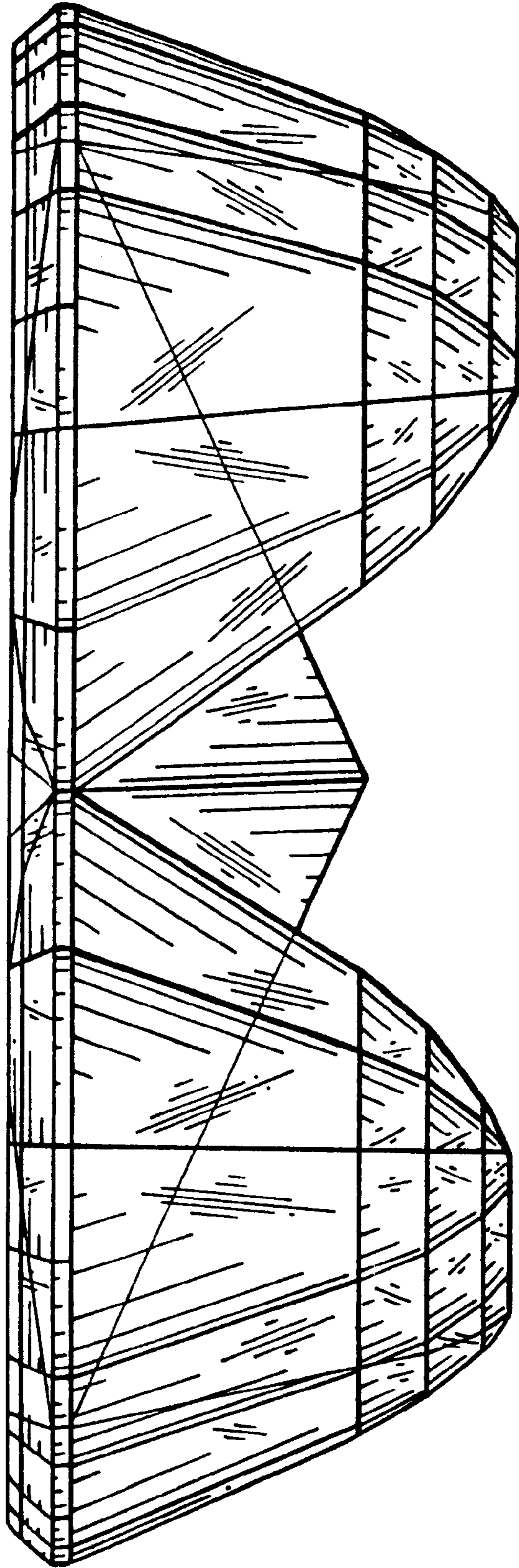


FIG. 6

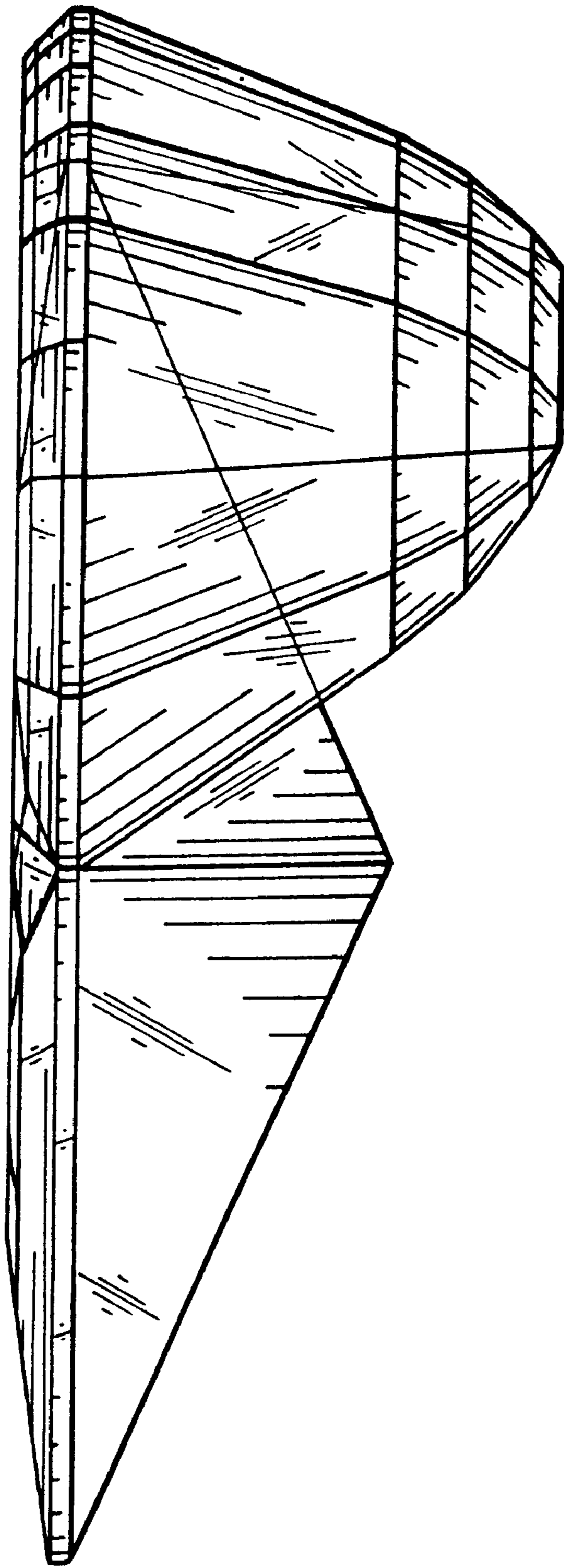


FIG. 7

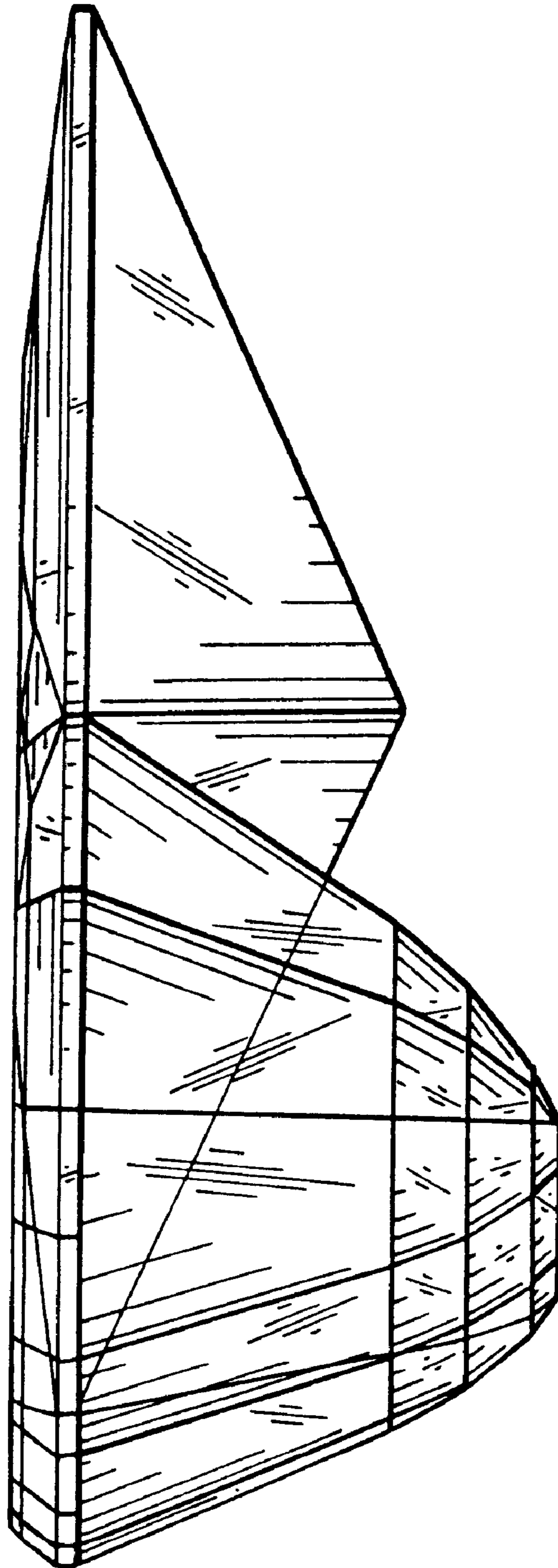


FIG. 8

UNITED STATES PATENT AND TRADEMARK OFFICE
CERTIFICATE OF CORRECTION

PATENT No. : Des. 430,504

DATED : September 5, 2000

INVENTOR(S): Joseph HACMON

It is certified that error appears in the above-identified patent and that said Letters Patent is hereby corrected as shown below:

On the first page, item [57], under "DESCRIPTION", after "Fig. 6 is a second" insert -- side -- ; and

On the first page, item [57], under "DESCRIPTION", delete the last two lines: "A broken line illustration of the facets in the drawings is not a part of the design sought to be patented or claimed".

Signed and Sealed this
First Day of May, 2001

Attest:



NICHOLAS P. GODICI

Attesting Officer

Acting Director of the United States Patent and Trademark Office