



US00D430501S

United States Patent [19]
Meoli, Jr.

[11] **Patent Number: Des. 430,501**

[45] **Date of Patent: ** Sep. 5, 2000**

[54] **PORTABLE STROBE LIGHT**

[76] Inventor: **Rudy B. Meoli, Jr.**, 8150 E. Oak Ridge Cir., Anaheim Hills, Calif. 92808

[**] Term: **14 Years**

[21] Appl. No.: **29/115,080**

[22] Filed: **Dec. 8, 1999**

[51] **LOC (7) Cl.** **10-05**

[52] **U.S. Cl.** **D10/114**

[58] **Field of Search** D10/114, 121;
D26/37-50; 362/157, 158, 161, 171, 181-206

[56] **References Cited**

U.S. PATENT DOCUMENTS

| | | | | |
|------------|---------|---------|-------|---------|
| D. 336,689 | 6/1993 | Hung | | D10/114 |
| D. 349,968 | 8/1994 | Elliott | | D10/114 |
| D. 368,145 | 3/1996 | Smith | | D10/114 |
| D. 374,190 | 10/1996 | Yuan | | D10/114 |

| | | | | |
|------------|---------|----------------|-------|---------|
| D. 379,939 | 6/1997 | Hurtak et al. | | D10/114 |
| D. 388,007 | 12/1997 | Koski | | D10/114 |
| D. 412,132 | 7/1999 | Aylward et al. | | D10/114 |

Primary Examiner—Marcus A. Jackson
Attorney, Agent, or Firm—Chris Papageorge

[57] **CLAIM**

The ornamental design for a portable strobe light, as shown and described.

DESCRIPTION

FIG. 1 is a top, front perspective view of a portable strobe light plan showing my new design.
FIG. 2 is a front elevational view thereof.
FIG. 3 is a rear elevational view thereof.
FIG. 4 is a right side elevational view thereof.
FIG. 5 is a left side elevational view thereof.
FIG. 6 is a top plan view thereof; and,
FIG. 7 is a bottom plan view thereof.

1 Claim, 6 Drawing Sheets

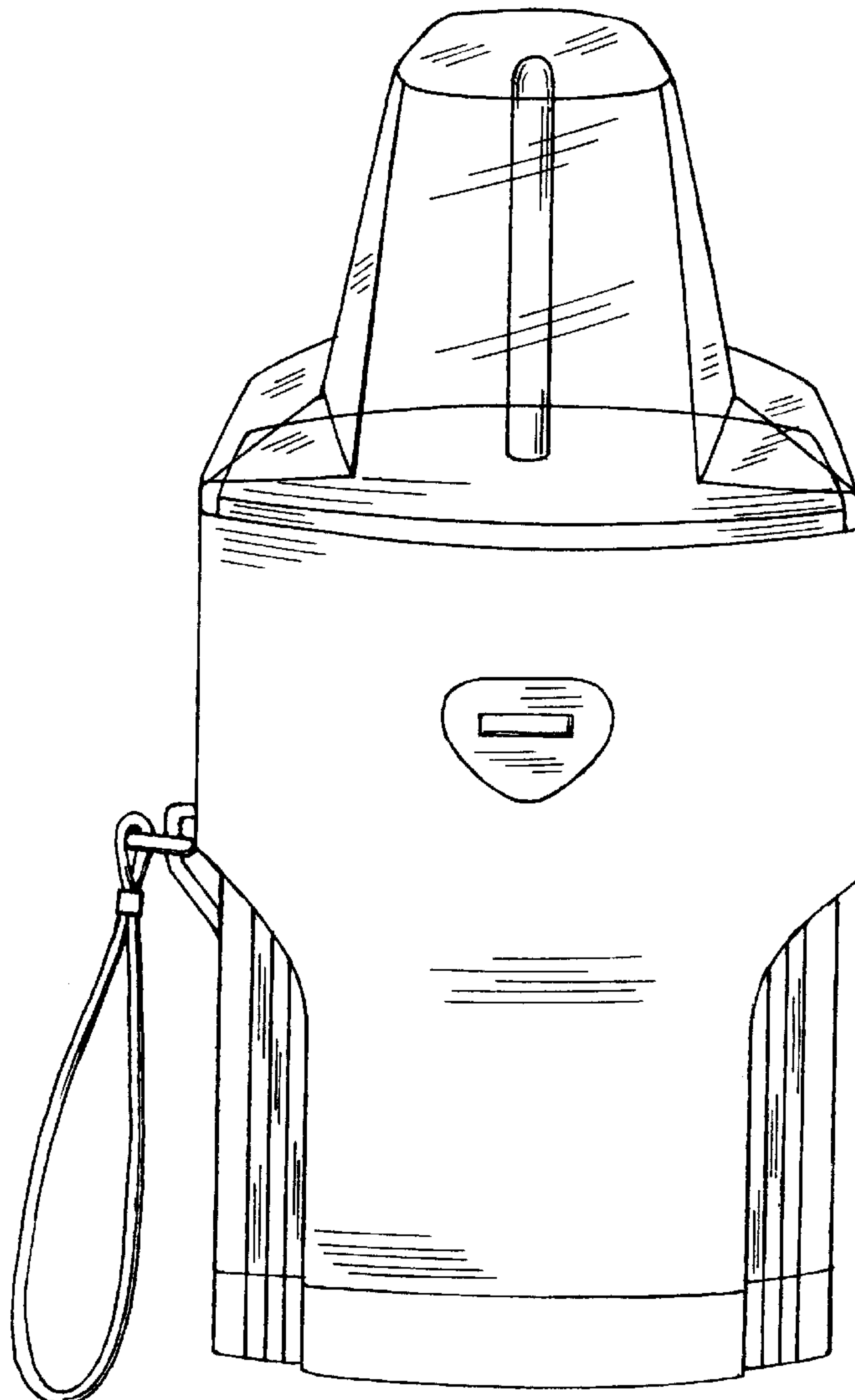
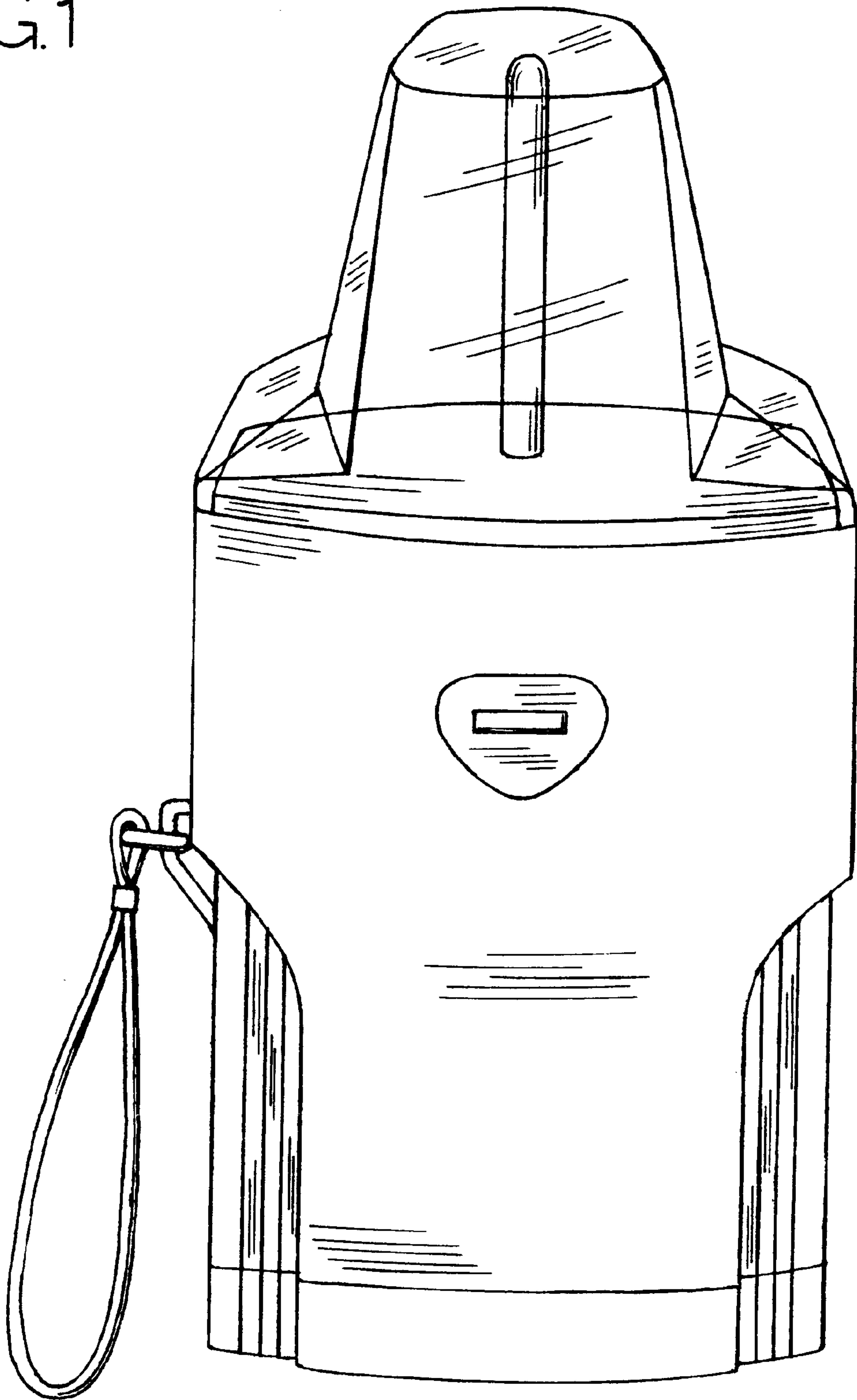


FIG. 1



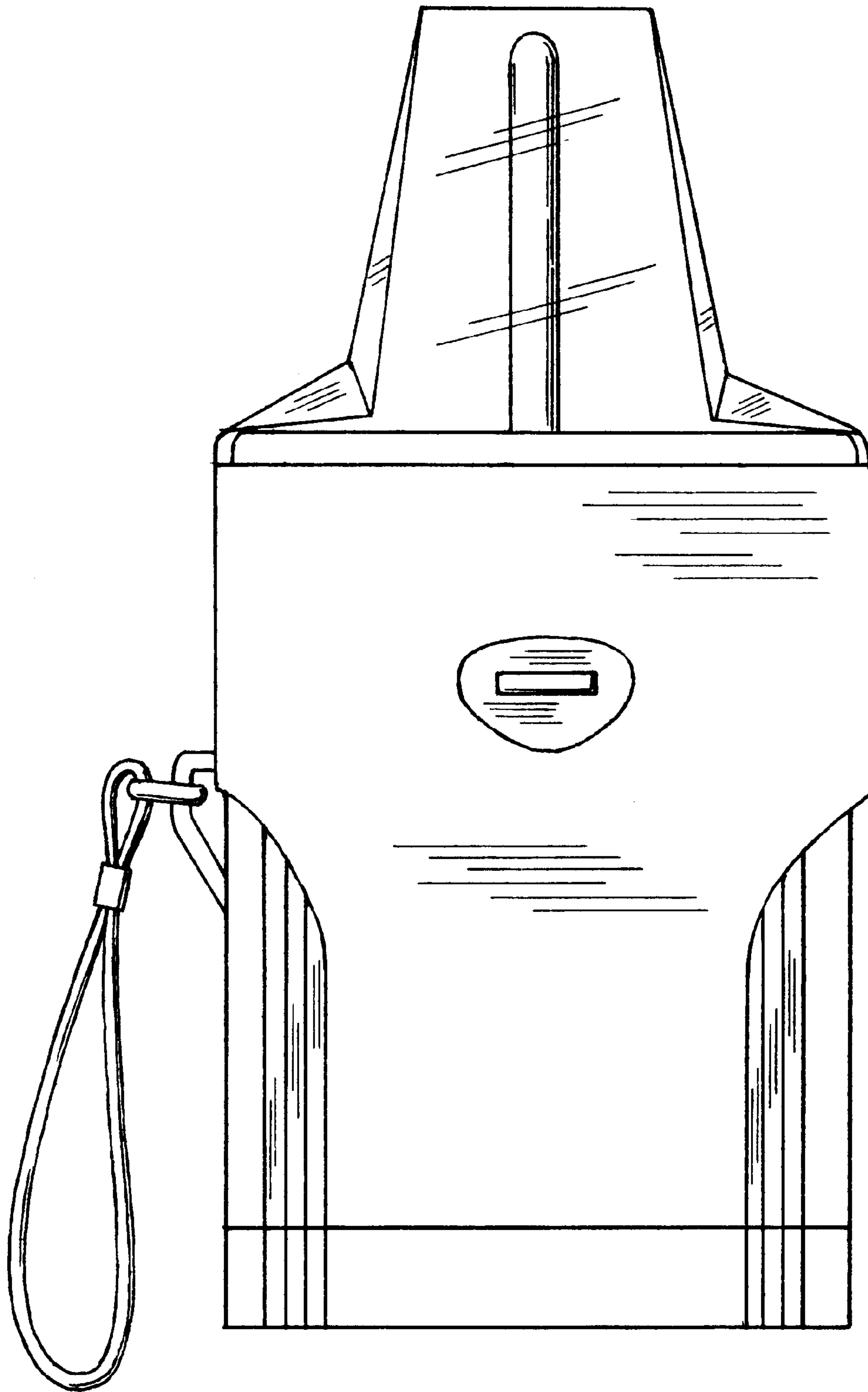


FIG. 2

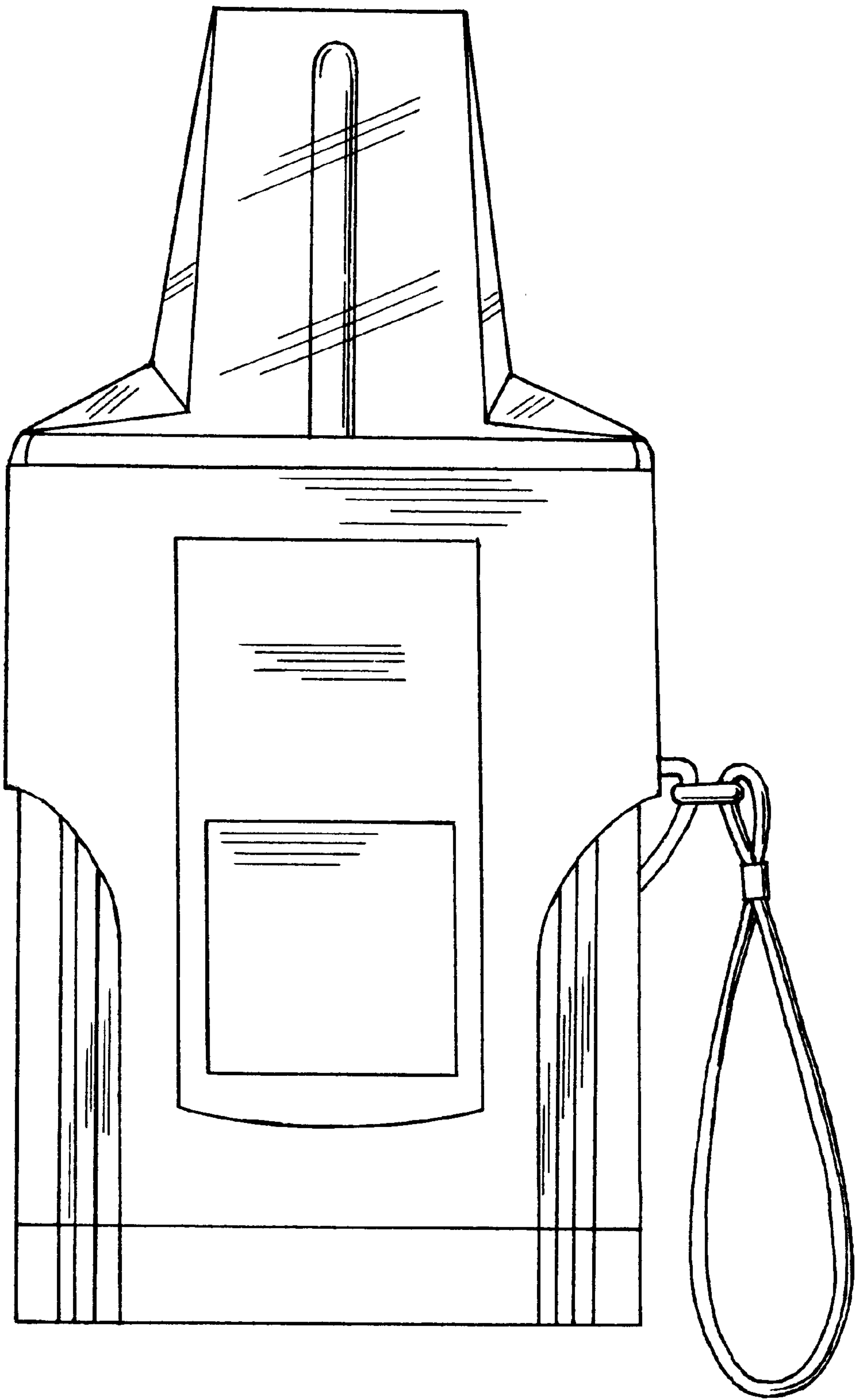


FIG. 3

FIG. 4

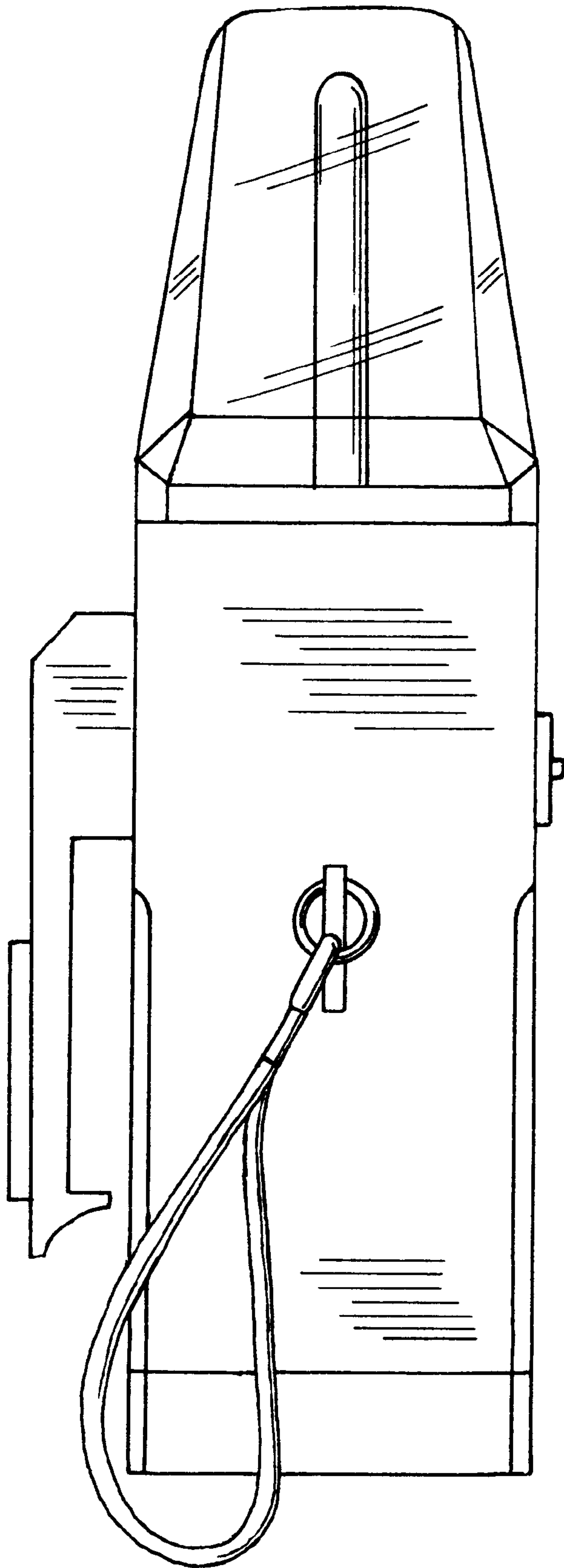
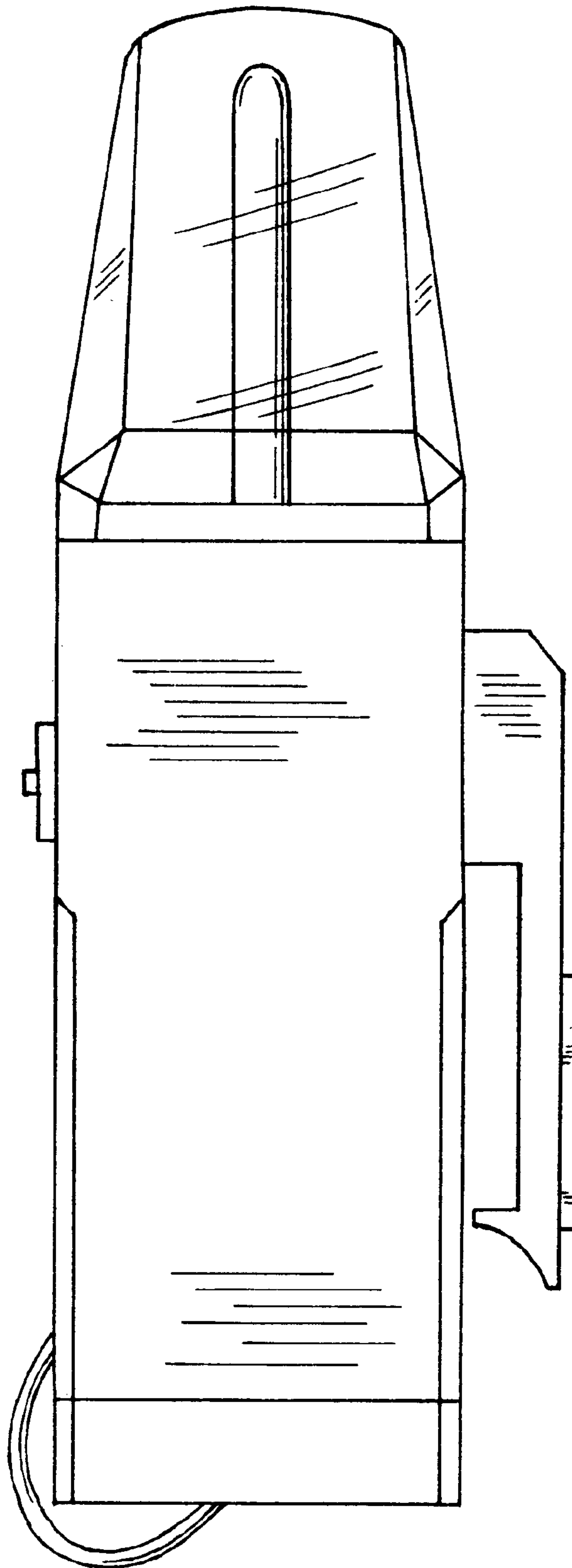


FIG. 5



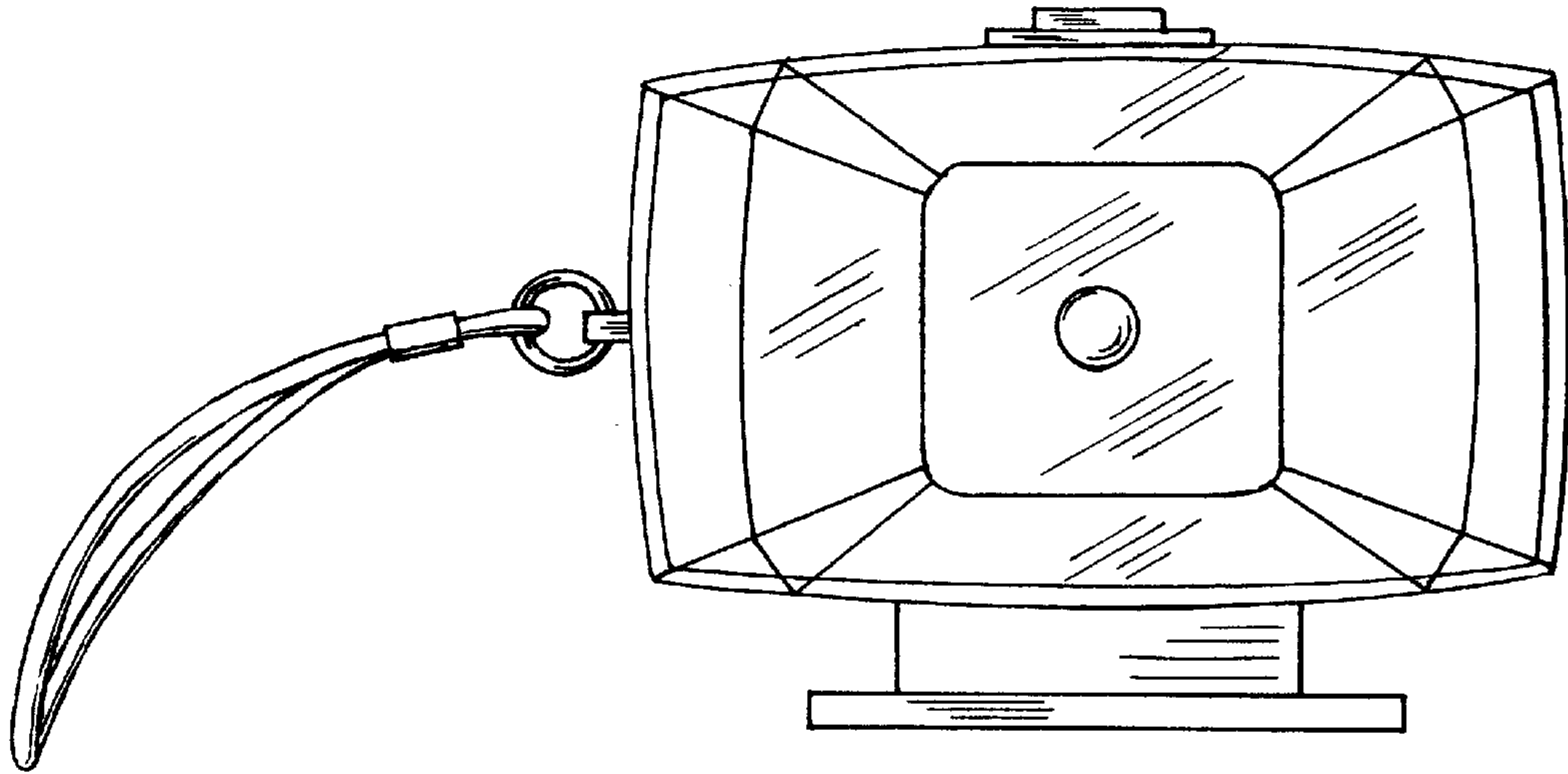


FIG. 6

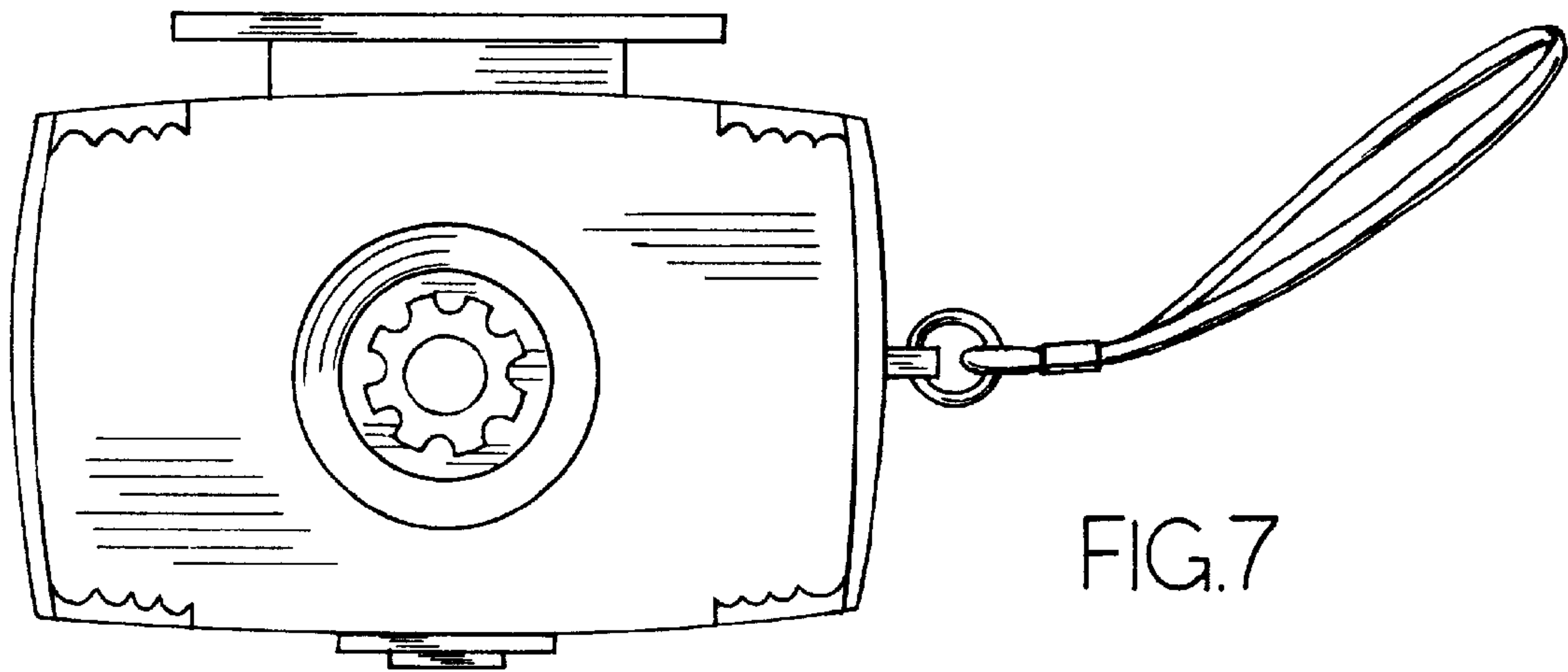


FIG. 7