



US00D430498S

# United States Patent [19]

Tsai

[11] Patent Number: **Des. 430,498**

[45] Date of Patent: **\*\* Sep. 5, 2000**

[54] **NON-CONTACT CURRENT AND VOLTAGE INDICATOR**

[75] Inventor: **Roy Tsai**, Forest Hills, N.Y.

[73] Assignee: **United Dominion Industries, Inc.**, Charlotte, N.C.

[\*\*] Term: **14 Years**

[21] Appl. No.: **29/113,029**

[22] Filed: **Oct. 28, 1999**

[51] **LOC (7) Cl.** ..... **10-04**

[52] **U.S. Cl.** ..... **D10/78**

[58] **Field of Search** ..... D10/78; 324/22.5, 324/133, 149, 158, 501, 519, 527, 530, 555, 556, 119, 117, 72.5; 340/815.73

[56] **References Cited**

**U.S. PATENT DOCUMENTS**

D. 288,179	2/1987	Sekido	.....	D10/78
D. 367,431	2/1996	Omuro et al.	.....	D10/78
D. 389,419	1/1998	Beha	.....	D10/78
D. 391,504	3/1998	Arnoux et al.	.....	D10/78
5,877,618	3/1999	Luebke et al.	.....	324/72.5

5,952,820 9/1999 Thrasher et al. .... 324/119

*Primary Examiner*—Antoine Duval Davis  
*Attorney, Agent, or Firm*—Weingarten, Schurgin, Gagnebin & Hayes LLP

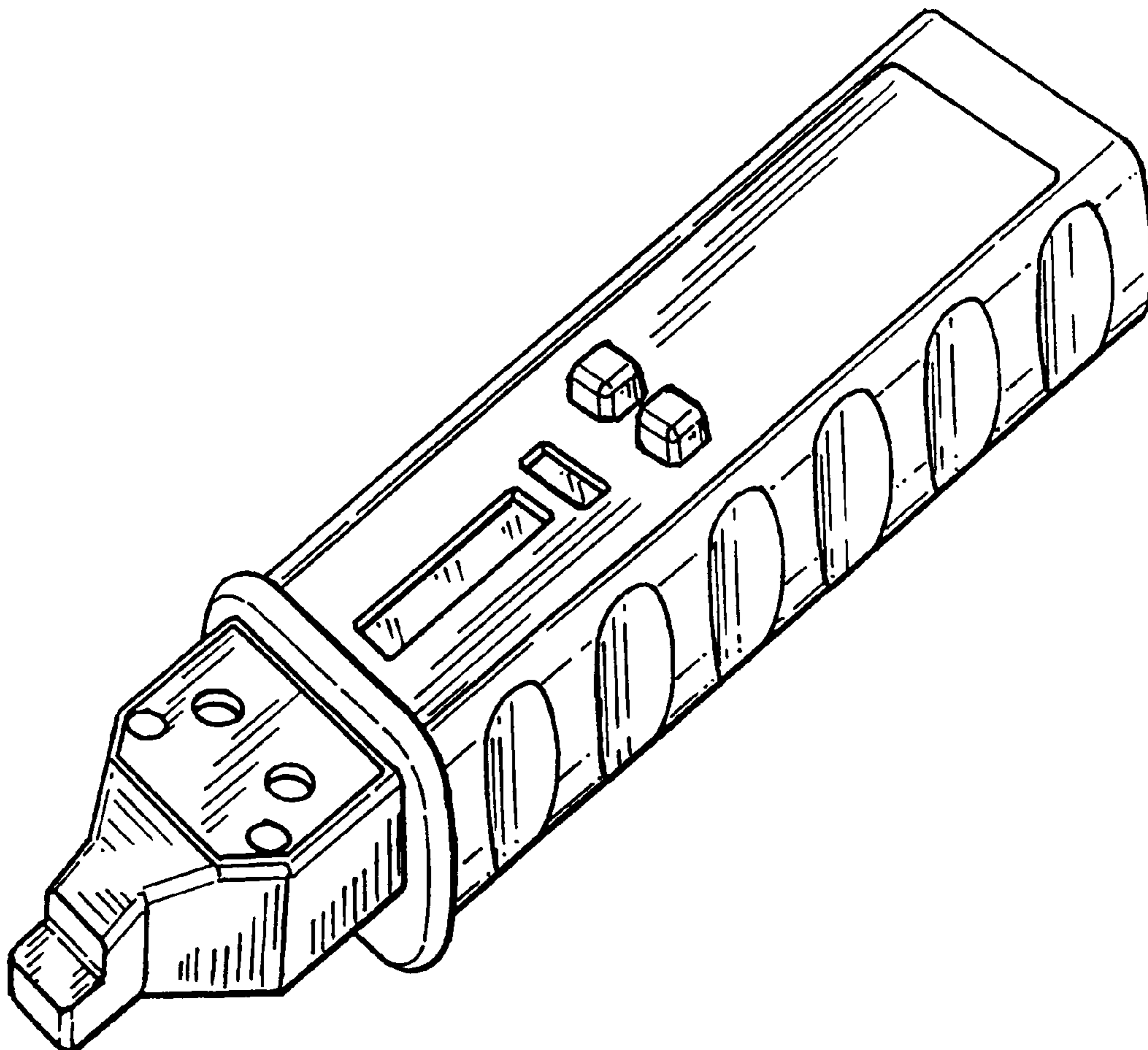
[57] **CLAIM**

The ornamental design for a non-contact current and voltage indicator, as shown.

**DESCRIPTION**

FIG. 1 is an isometric view of the non-contact current and voltage indicator of the present invention; FIG. 2 is a front view of the non-contact current and voltage indicator; FIG. 3 is a right side view of the non-contact current and voltage indicator; FIG. 4 is a back view of the non-contact current and voltage indicator; FIG. 5 is a left side view of the non-contact current and voltage indicator; FIG. 6 is a top view of the non-contact current and voltage indicator; and, FIG. 7 is a bottom view of the non-contact current and voltage indicator.

**1 Claim, 2 Drawing Sheets**



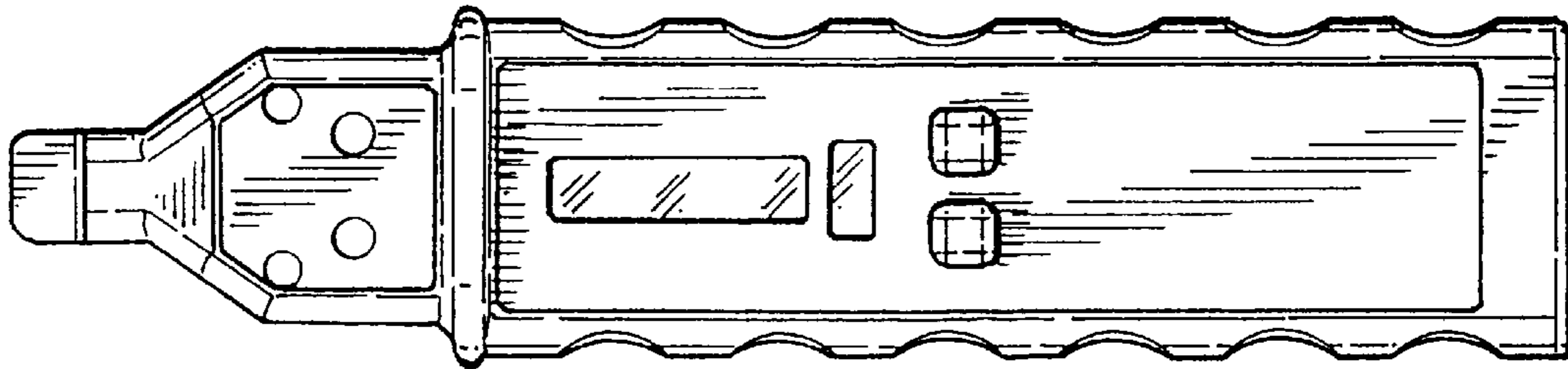


FIG. 2

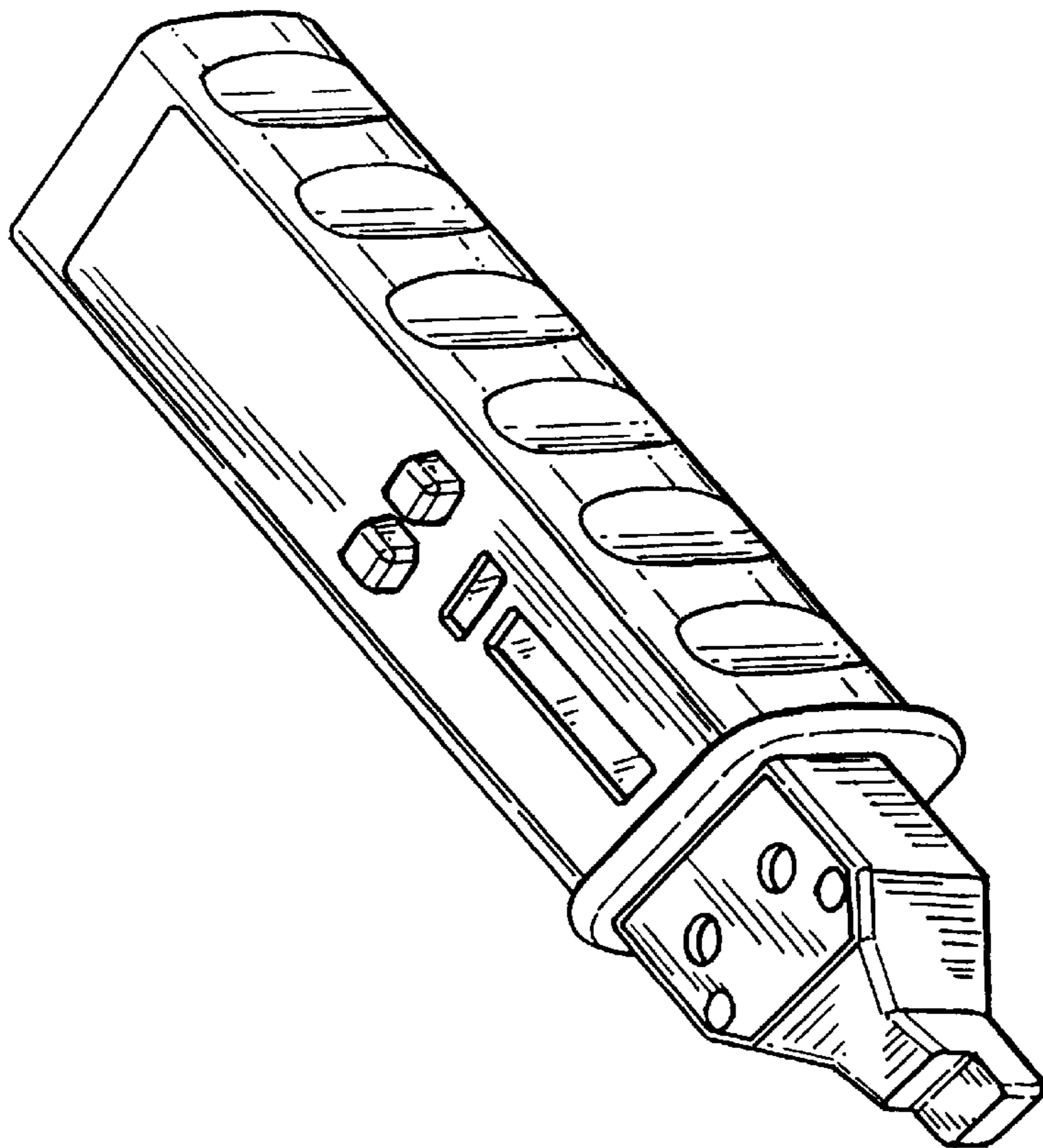


FIG. 1

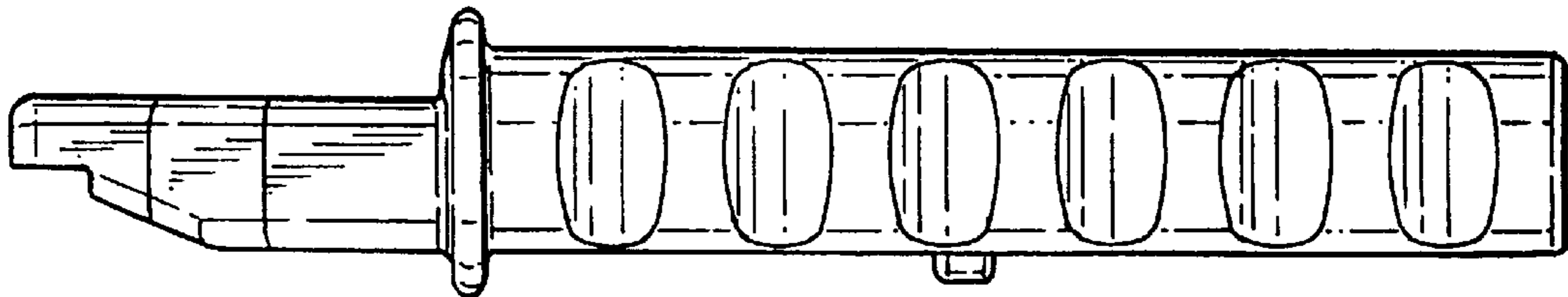


FIG. 3

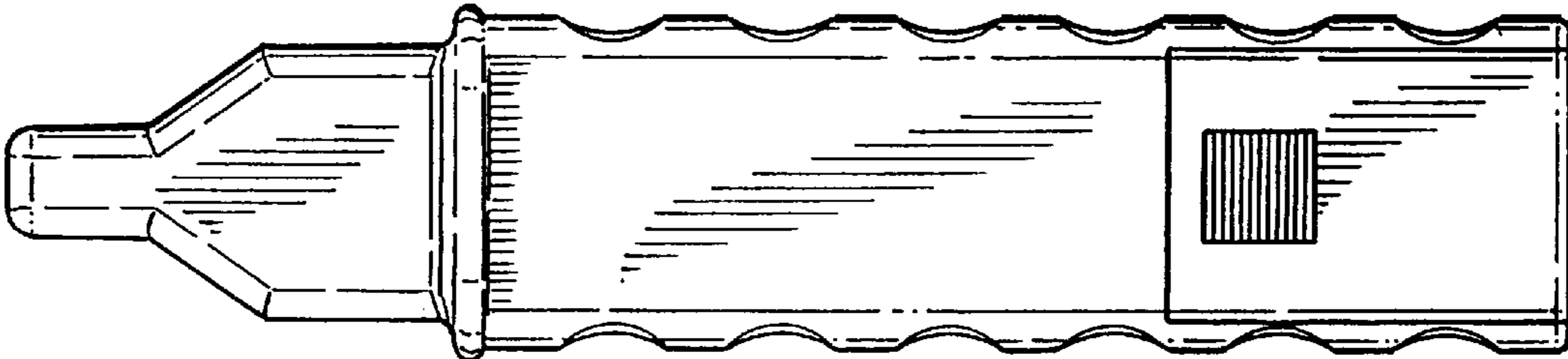


FIG. 4

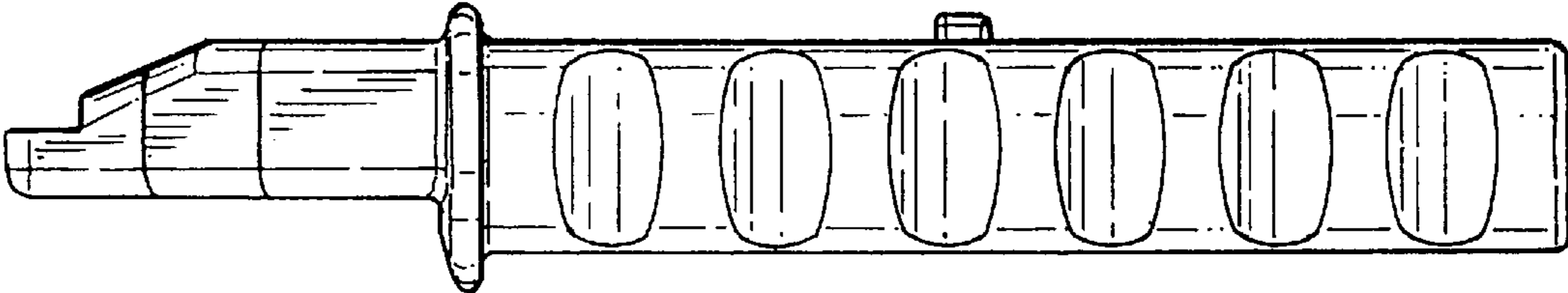


FIG. 5

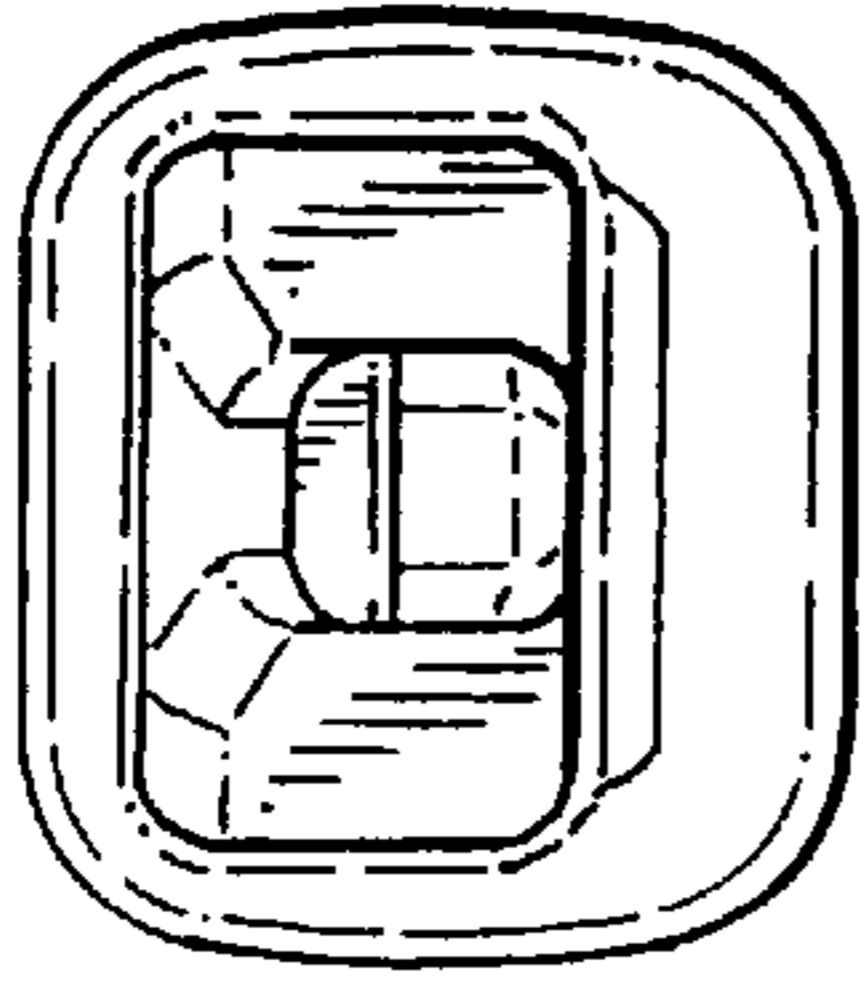


FIG. 6

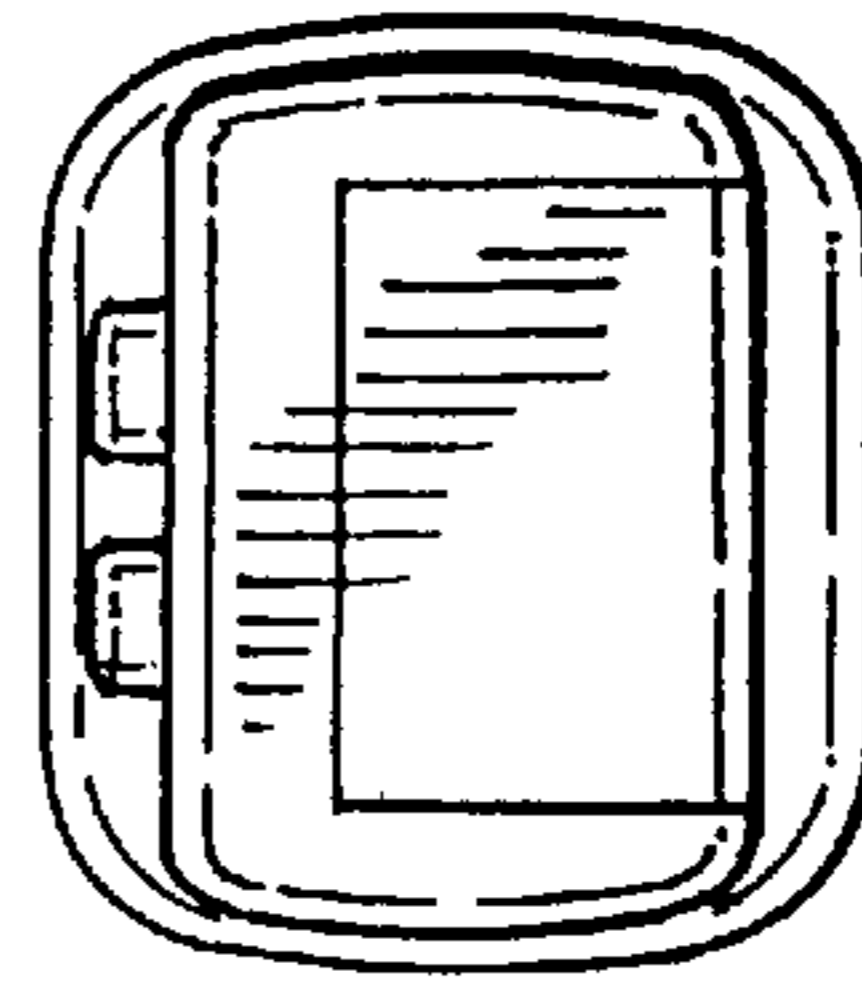


FIG. 7