



US00D430496S

United States Patent [19] Hartzband

[11] Patent Number: Des. 430,496

[45] Date of Patent: ** Sep. 5, 2000

[54] COMBINED WATCH AND BAND

D. 359,916 7/1995 Iida D10/32

[75] Inventor: Paul Hartzband, Chappaqua, N.Y.

OTHER PUBLICATIONS

[73] Assignee: HartCase Corp., Rockville Centre, N.Y.

T.F. & Company Limited Orient Wittnauer (1995 and 1996, pp. 7-1 and 7-2).

[**] Term: 14 Years

Swiss Watch & Jewelry Journal -2187-p. 435 Watches at bottom-right, 1987.

[21] Appl. No.: 29/108,605

Primary Examiner—Nelson C. Holtje
Attorney, Agent, or Firm—James Quinton

[22] Filed: Nov. 25, 1997

[57] CLAIM

Related U.S. Application Data

The ornamental design for a combined watch and band, as shown and described.

[63] Continuation of application No. 29/070,985, May 16, 1997, abandoned.

DESCRIPTION

[51] LOC (7) Cl. 10-02

FIG. 1 is a front elevational view of the combined watch and band according to the invention.

[52] U.S. Cl. D10/32; D10/30

FIG. 2 is a right side view of the combined watch and band according to the invention.

[58] Field of Search D10/1-40, 122-132;
D11/3-25; 63/1.1, 3, 5, 11; 368/276-277,
280-282, 285

FIG. 3 is a top plan view of the combined watch and band according to the invention.

[56] References Cited

FIG. 4 is a left side view of the combined watch and band according to the invention; and,

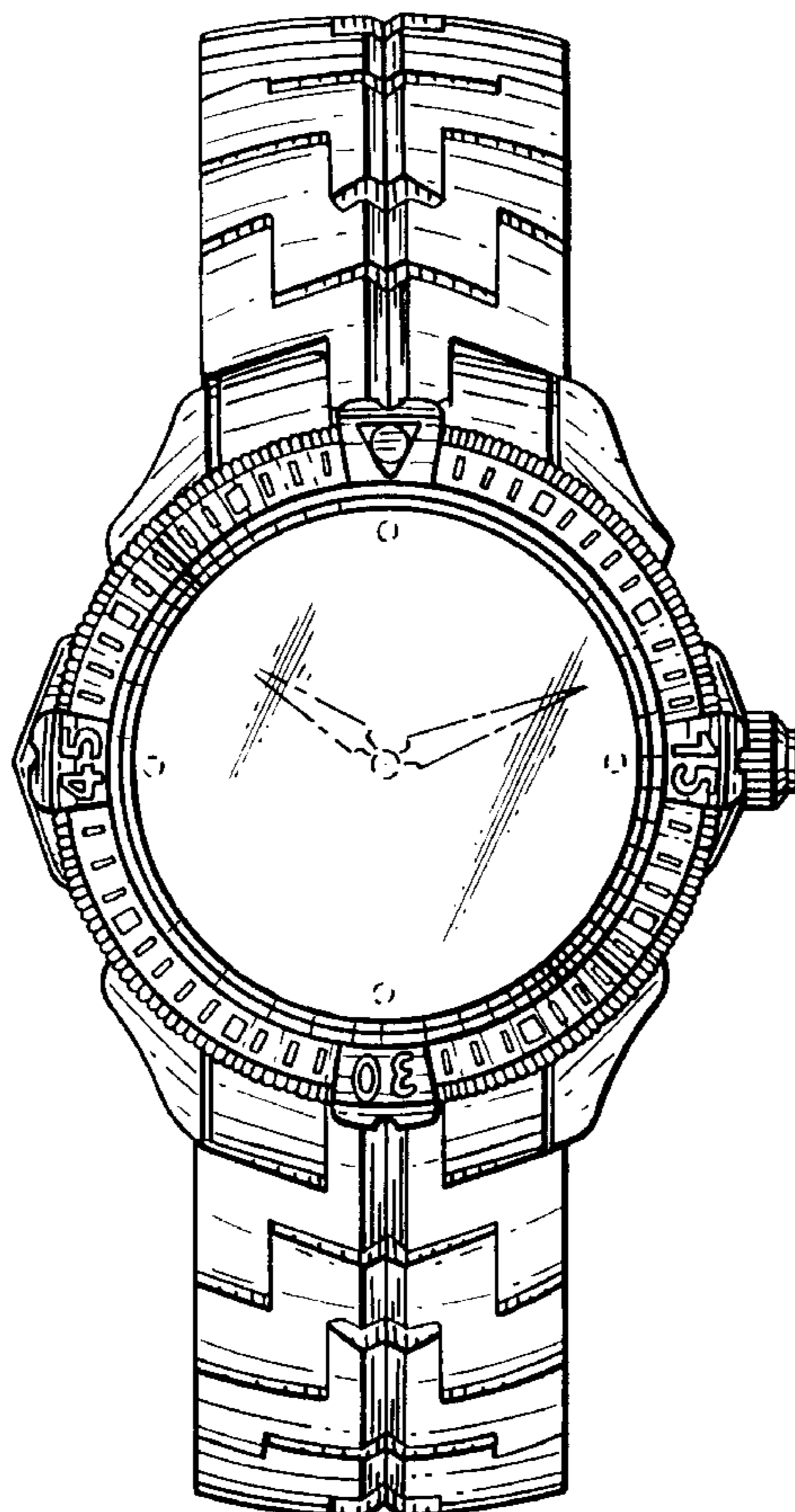
U.S. PATENT DOCUMENTS

FIG. 5 is a rear view of the combined watch and band according to the invention.

- D. 240,411 7/1976 Haber D10/32
- D. 241,630 9/1976 Burke D10/32
- D. 271,471 11/1983 Rulgari D10/32
- D. 286,510 11/1986 Schoepfer D10/32
- D. 330,167 10/1992 Vincent D10/32

The broken-line showings of FIG. 1 are environmental only and form no part of the claimed design.

1 Claim, 3 Drawing Sheets



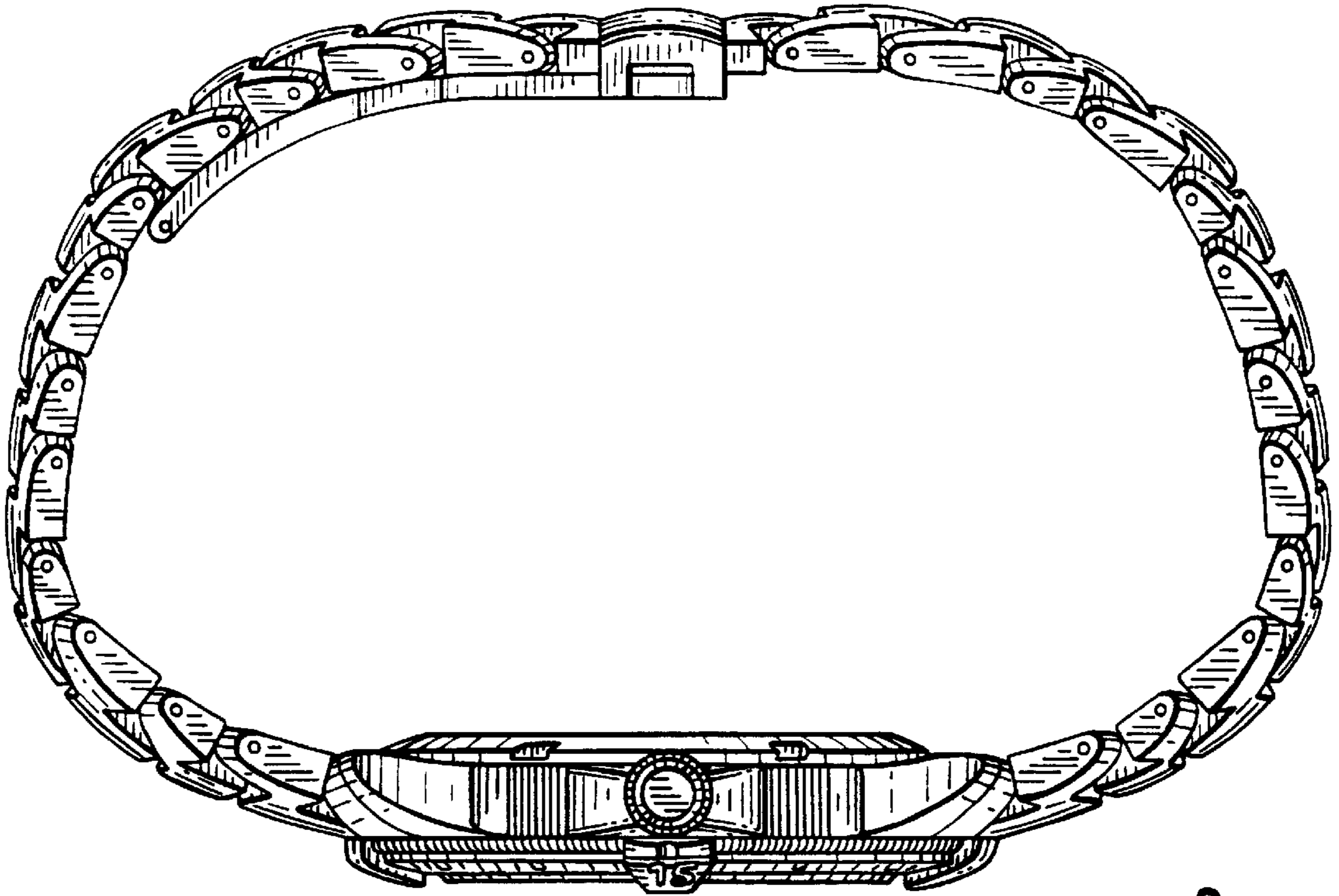


FIG. 2

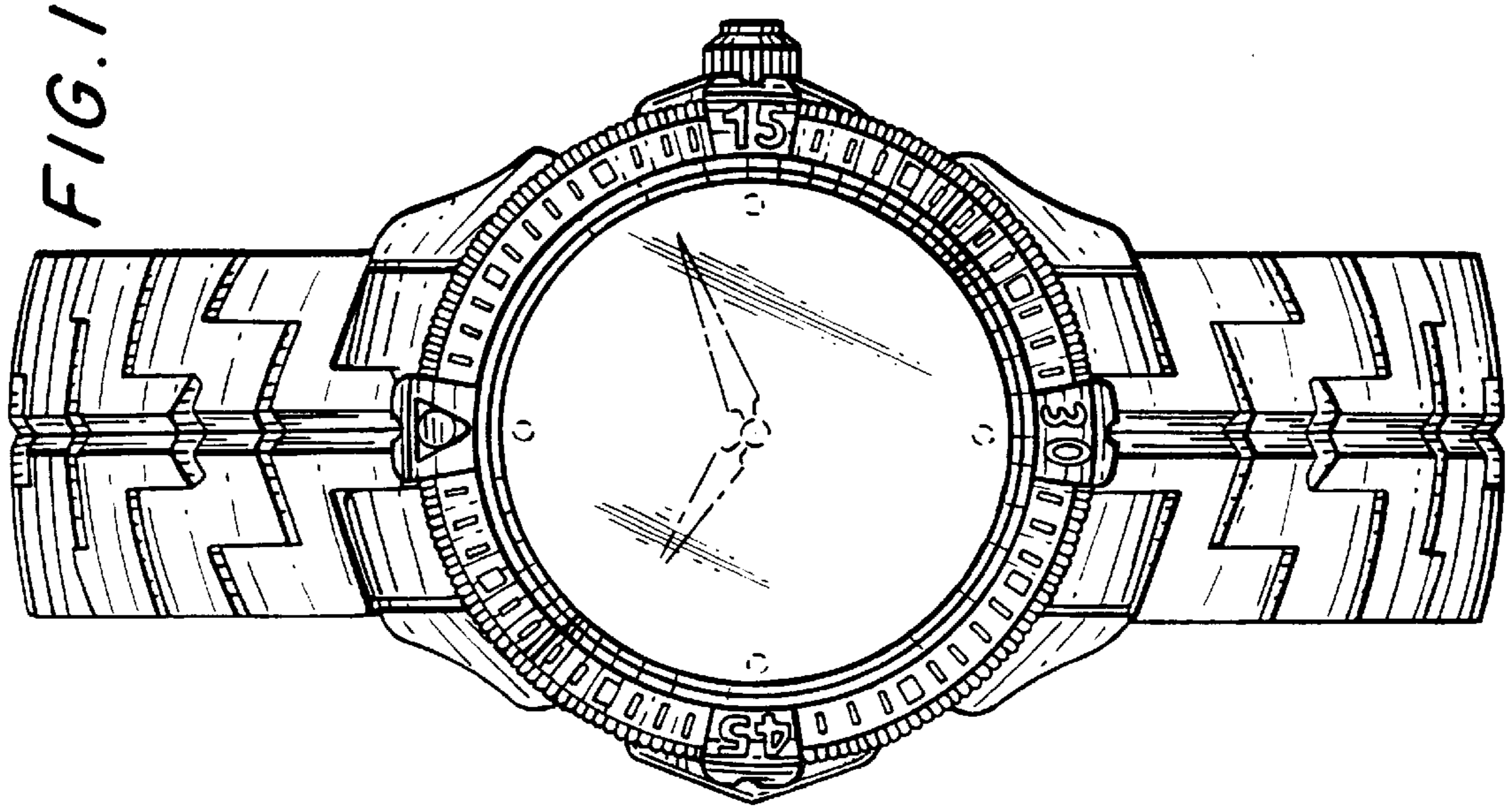


FIG. 1

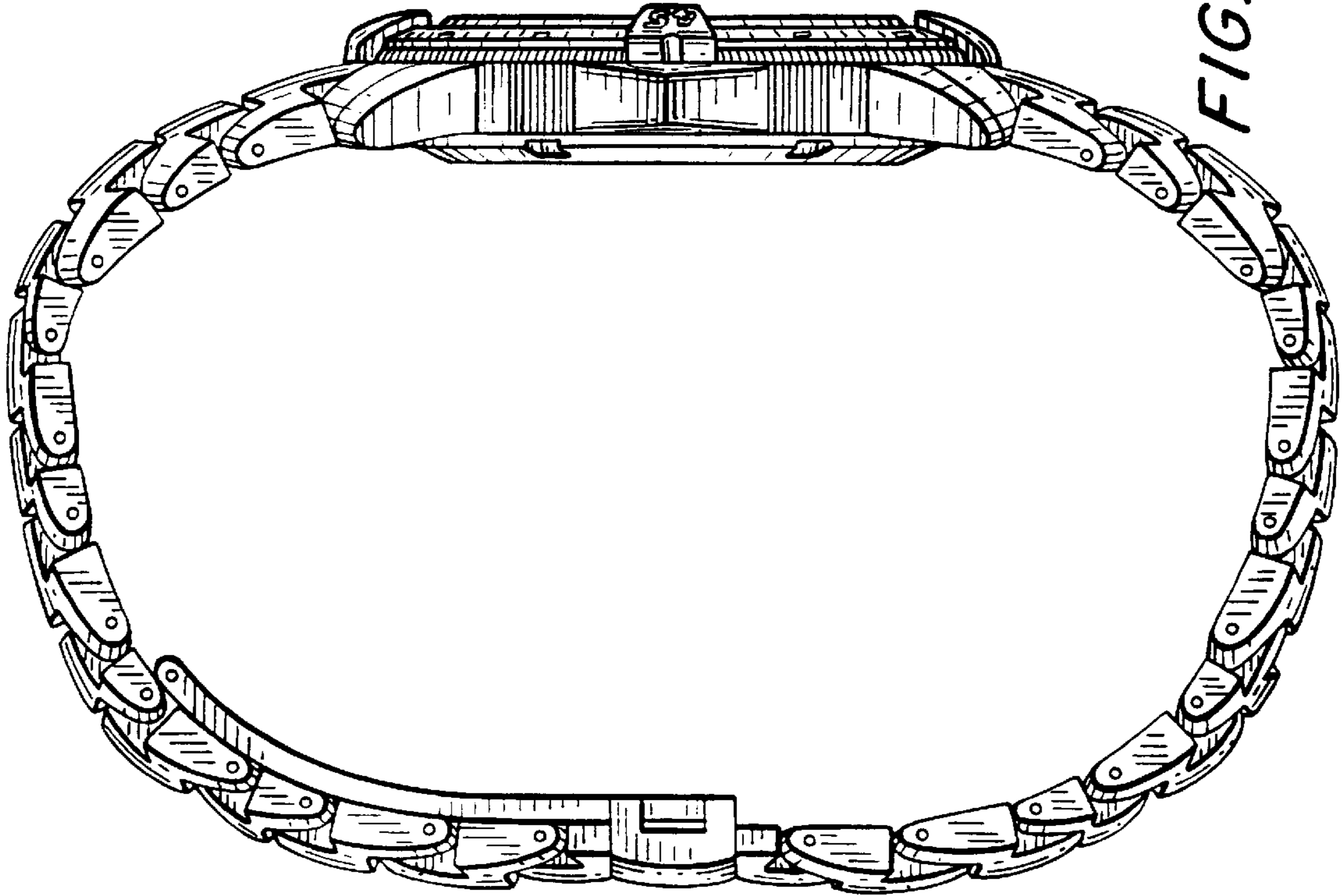


FIG. 4

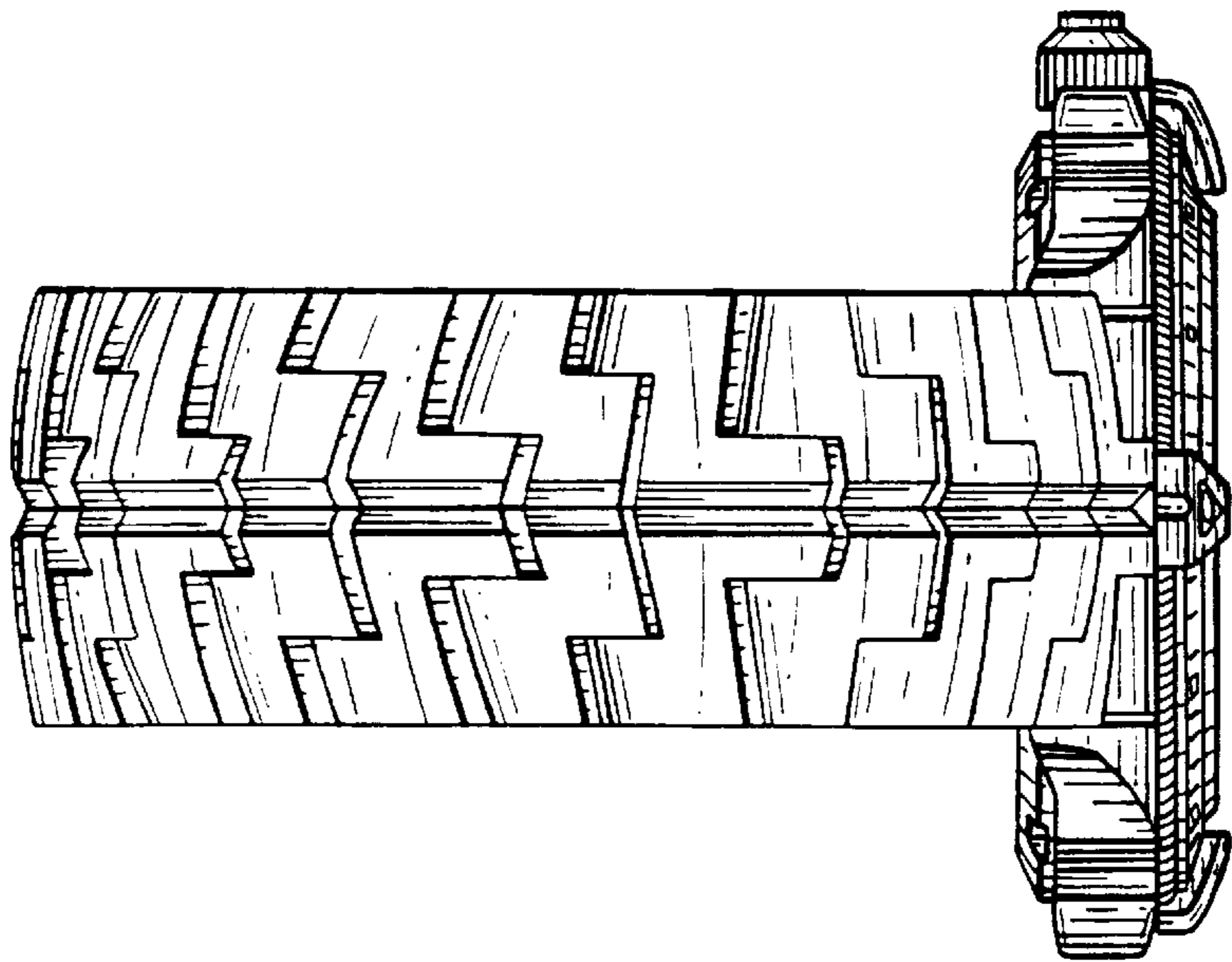


FIG. 3

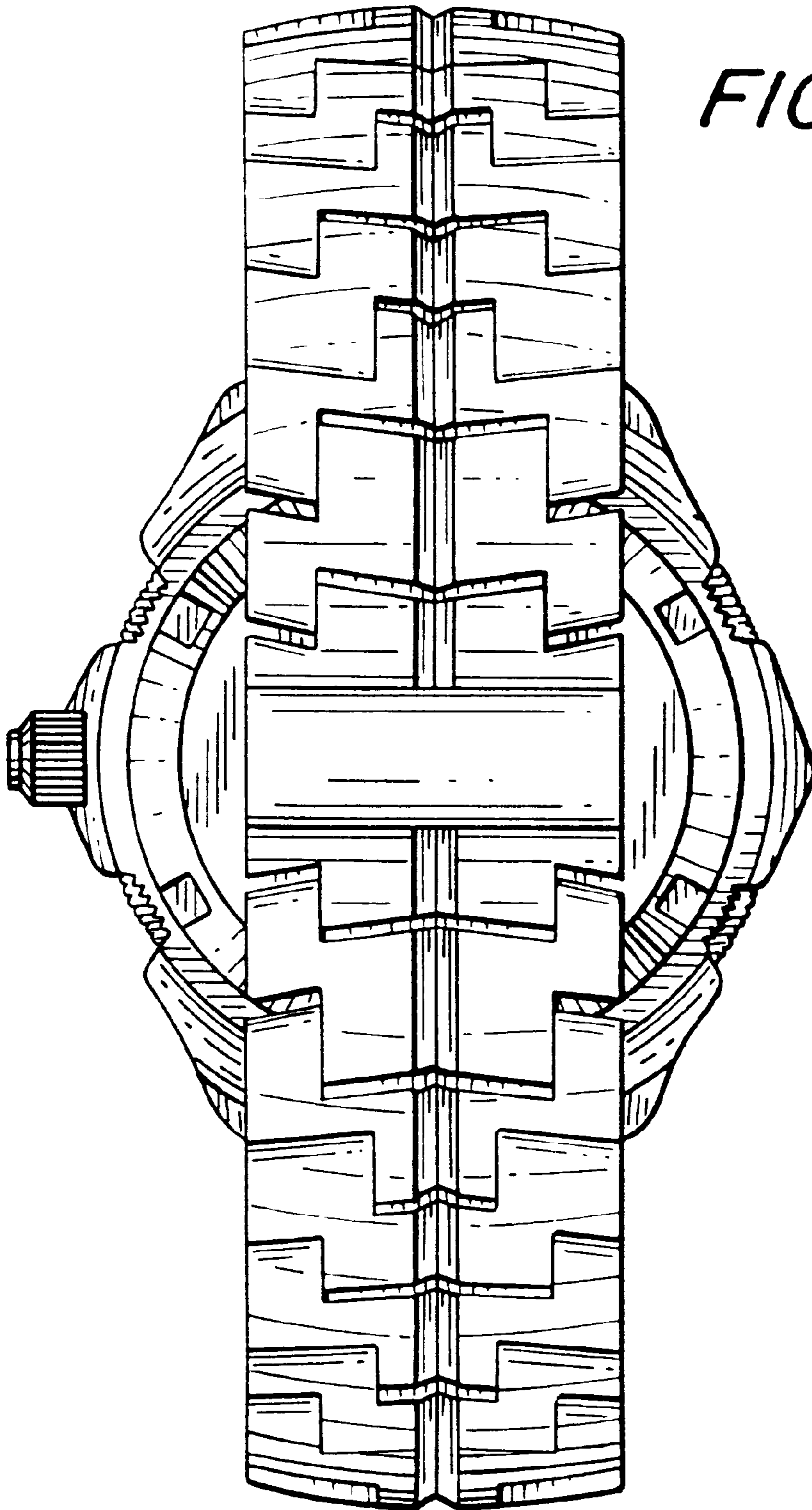


FIG. 5