

US00D430493S

# United States Patent [19] Weick

[11] Patent Number: **Des. 430,493**

[45] Date of Patent: **\*\* Sep. 5, 2000**

[54] **BEVERAGE CONTAINER**

[75] Inventor: **Robert D. Weick**, Sarasota, Fla.

[73] Assignee: **Tropicana Products, Inc.**, Bradenton, Fla.

[\*\*] Term: **14 Years**

[21] Appl. No.: **29/098,779**

[22] Filed: **Jan. 6, 1999**

[51] **LOC (7) Cl.** ..... **09-01**

[52] **U.S. Cl.** ..... **D9/537; D9/552; D9/553**

[58] **Field of Search** ..... **D9/552, 538, 539, D9/540, 541, 520, 553, 502, 557; 215/381-384, 370-373**

[56] **References Cited**

### U.S. PATENT DOCUMENTS

D. 66,788	3/1925	Curran	.....	D9/552
D. 115,155	6/1939	D'Addario	.	
D. 196,752	10/1963	Koenigsberg	.	
D. 308,484	6/1990	Browton	.	
D. 313,931	1/1991	Malvoisin	.....	D9/502
D. 315,869	4/1991	Collette	.....	D9/538
D. 344,457	2/1994	Prevot et al.	.	
D. 345,506	3/1994	Potts et al.	.	
D. 354,000	1/1995	Hoyt	.	
D. 366,416	1/1996	Semersky	.	
D. 366,417	1/1996	Semersky	.	
D. 366,831	2/1996	Semersky et al.	.	

D. 393,802	4/1998	Collette et al.	.	
D. 403,244	12/1998	Van Dyk et al.	.....	D9/552
D. 411,453	6/1999	Piccioli et al.	.....	D9/553
3,374,997	3/1968	Stutenroth et al.	.	
4,313,545	2/1982	Maeda	.	
4,538,439	9/1985	Frei	.	
4,610,366	9/1986	Estes et al.	.	
4,877,141	10/1989	Hayashi et al.	.	
5,101,990	4/1992	Krishnakumar	.	
5,255,889	10/1993	Collette et al.	.	
5,269,428	12/1993	Gilbert	.	
5,392,937	2/1995	Prevot et al.	.	
5,503,283	4/1996	Semersky	.	
5,598,941	2/1997	Semersky et al.	.	

*Primary Examiner*—Lucy Lieberman  
*Attorney, Agent, or Firm*—Cook, Alex, McFarron, Manzo, Cummings & Mehler, Ltd.

### [57] CLAIM

The ornamental design for a beverage container, as shown and described.

### DESCRIPTION

FIG. 1 is a perspective view of a beverage container showing the new design;  
FIG. 2 is a front elevational view thereof;  
FIG. 3 is a top plan view thereof; and,  
FIG. 4 is a bottom plan view thereof.  
The broken lines in the drawings are for illustrative purposes only and do not form part of the claimed design.

**1 Claim, 2 Drawing Sheets**

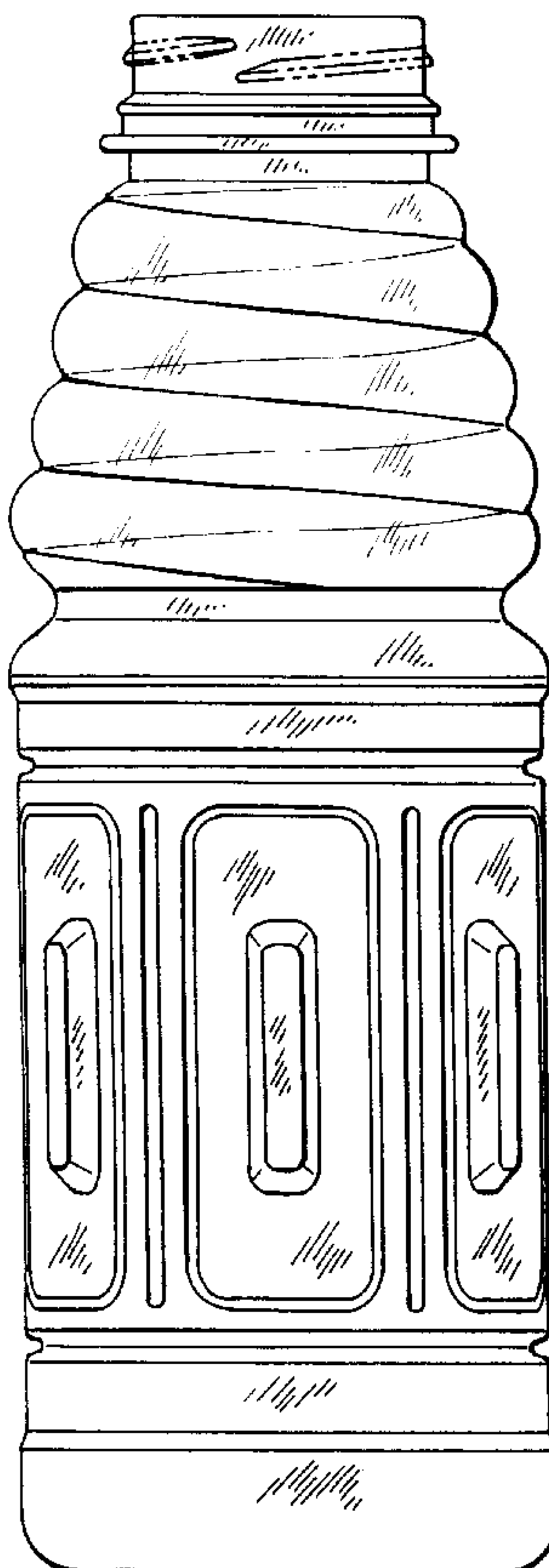


FIG. 1

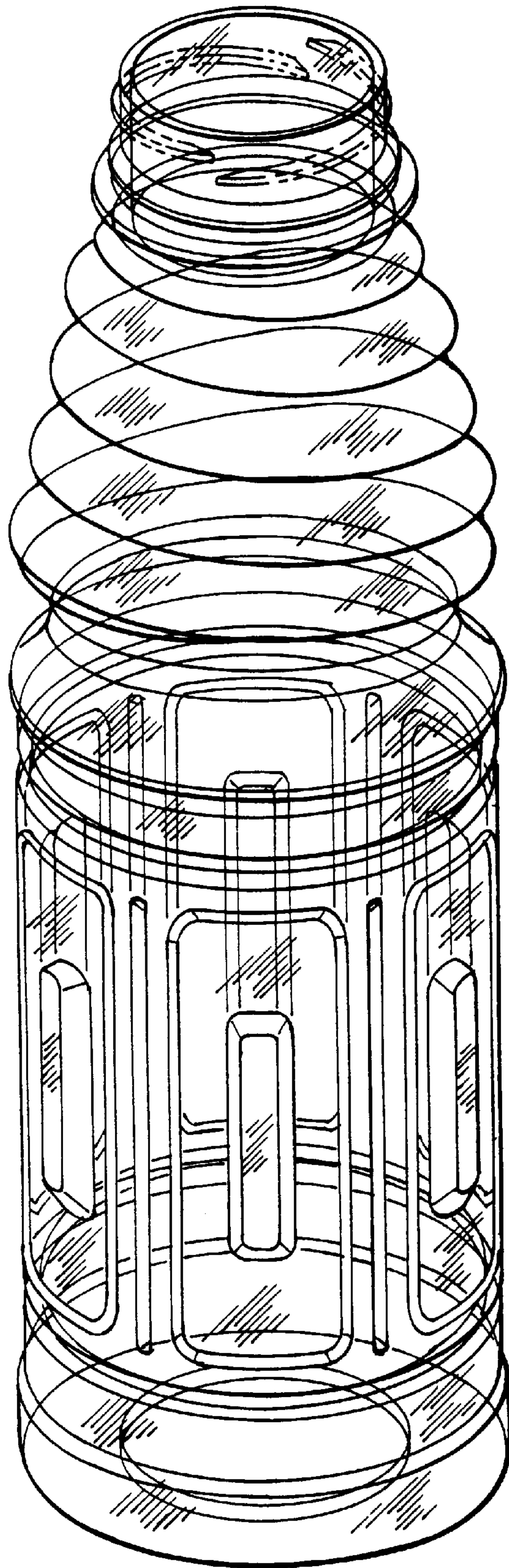


FIG.2

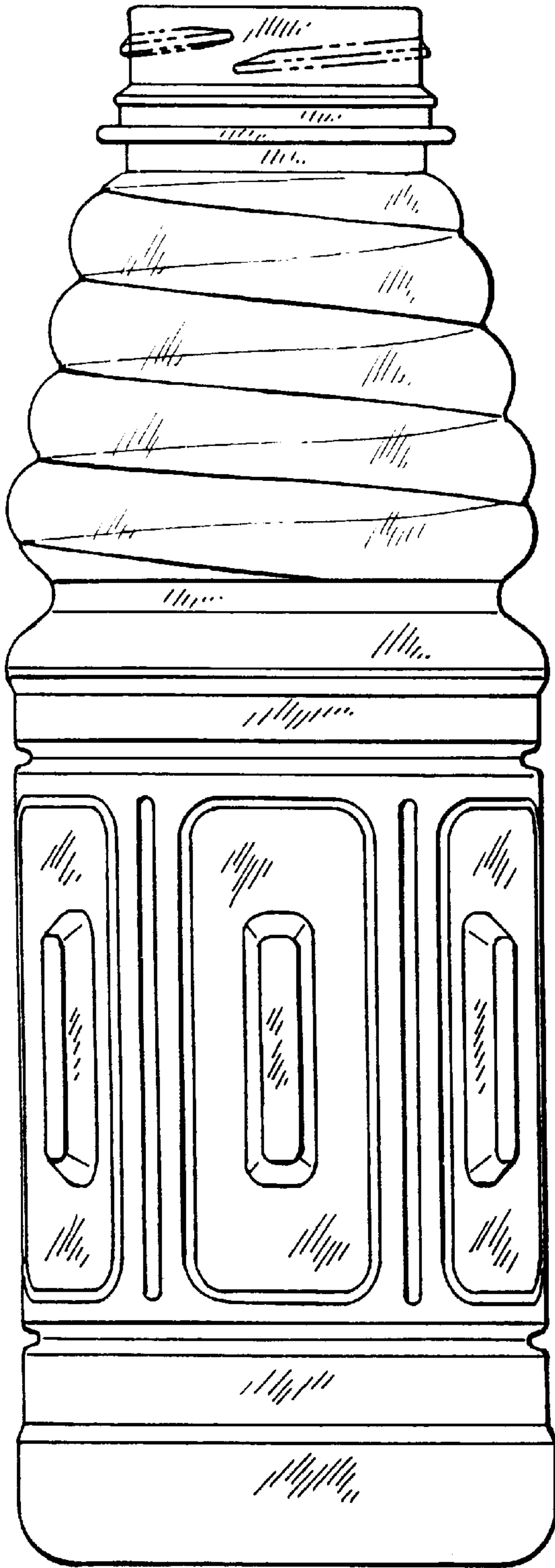


FIG.3

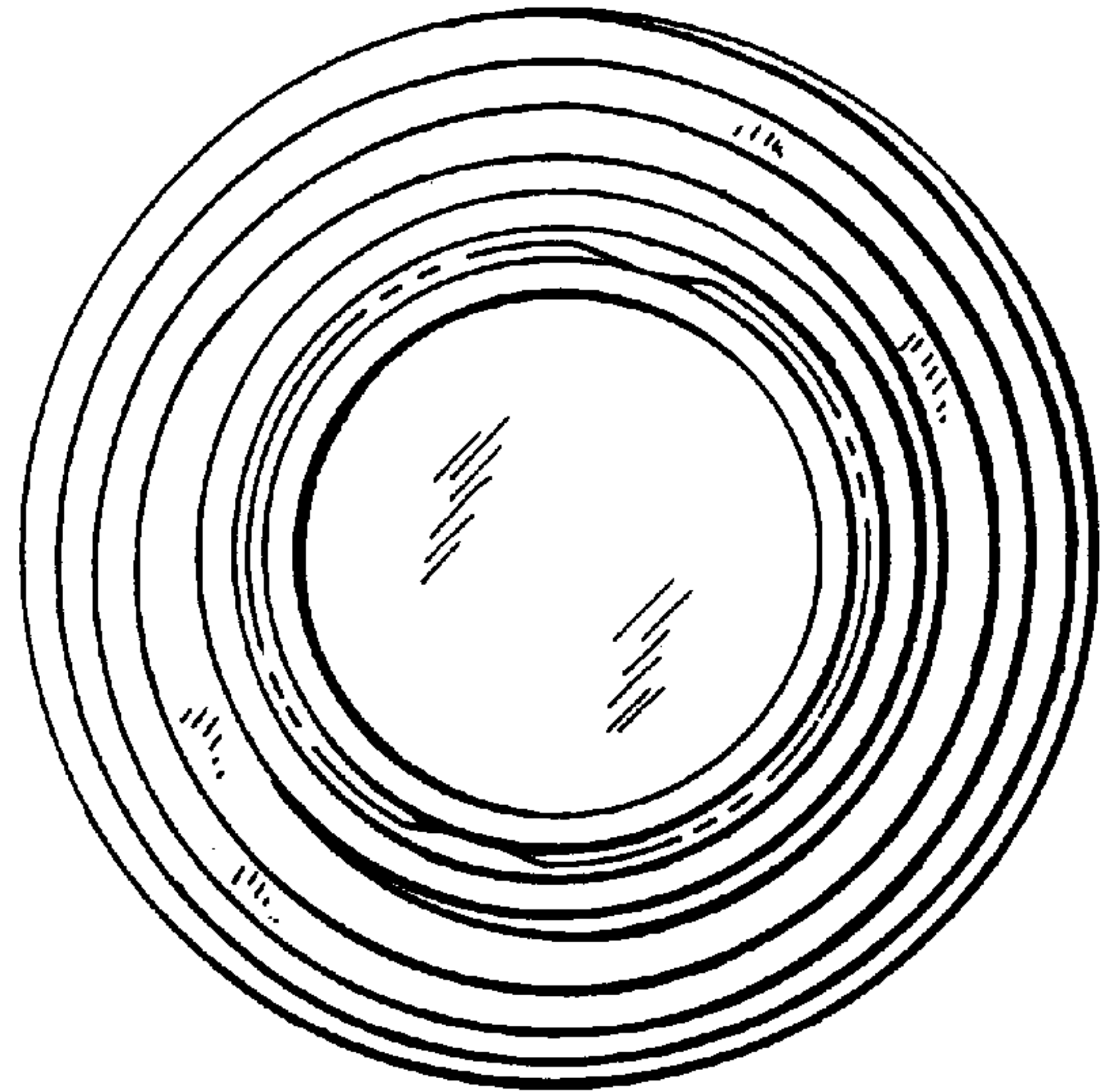


FIG.4

