



US00D430491S

United States Patent [19]

[11] **Patent Number: Des. 430,491**

Herrmann et al.

[45] **Date of Patent: ** Sep. 5, 2000**

[54] **BOTTLE CLIP**

Primary Examiner—Cathron B. Matta
Attorney, Agent, or Firm—Jack L. Oney, Jr.

[75] Inventors: **Lutz Herrmann; Veit Mahlmann**, both of Hamburg, Germany

[57] **CLAIM**

[73] Assignee: **The Procter & Gamble Company**, Cincinnati, Ohio

The ornamental design for a bottle clip, as shown and described.

[**] Term: **14 Years**

DESCRIPTION

[21] Appl. No.: **29/059,587**

FIG. 1 is a perspective view of a bottle clip, embodying my new design;

[22] Filed: **Sep. 13, 1996**

FIG. 2 is a top view thereof;

[30] **Foreign Application Priority Data**

FIG. 3 is a side elevational view thereof, the opposite elevational view thereof being a mirror image; and,

Mar. 15, 1996 [GB] United Kingdom 2054903

FIG. 4 is a front elevational view thereof, the back elevational view thereof being a mirror image.

[51] **LOC (7) Cl.** **09-07**

[52] **U.S. Cl.** **D9/455; D9/443**

[58] **Field of Search** D9/434, 443, 436, D9/337, 501; 215/395, 399; 220/737, 740; 222/465.1

The surface in of the claimed design not shown in the drawings or described in the specification form no part thereof.

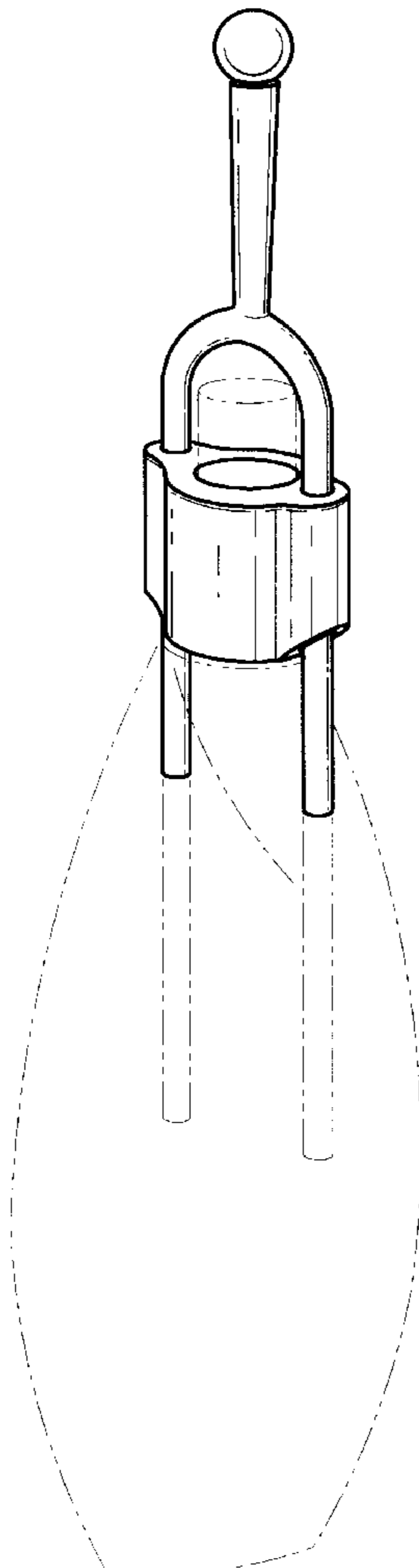
The broken line showing of a container is for illustrative purposes only and forms no part of the claimed design.

[56] **References Cited**

U.S. PATENT DOCUMENTS

5,097,638 3/1992 Jones 215/399 X

1 Claim, 2 Drawing Sheets



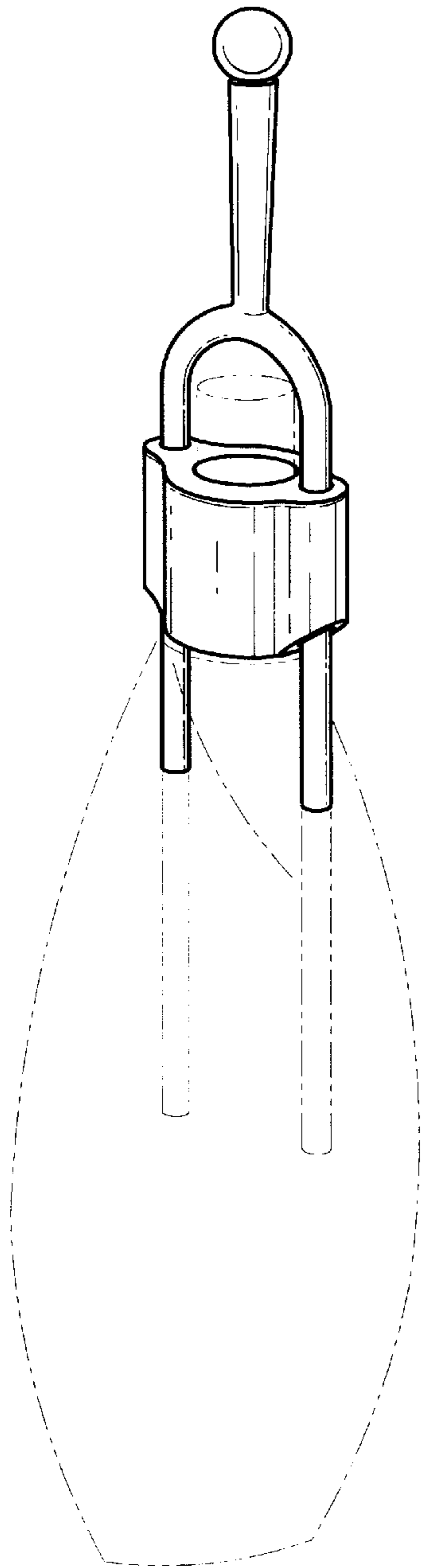


Fig. 1

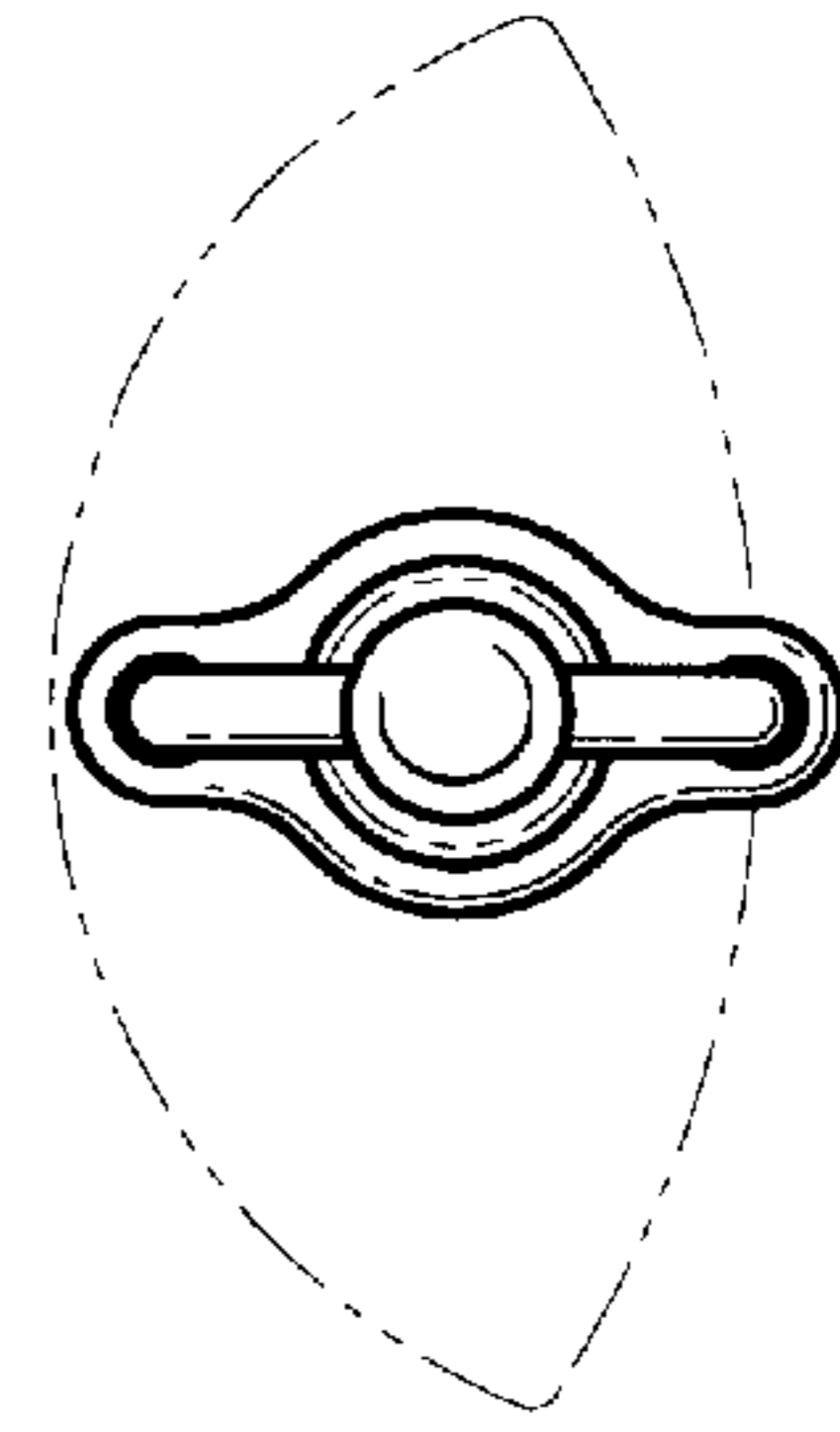


Fig. 2

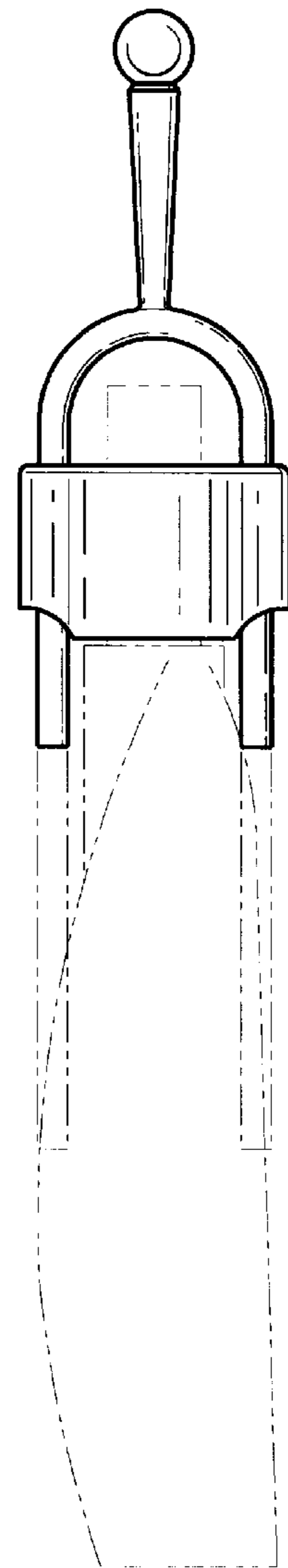


Fig. 3

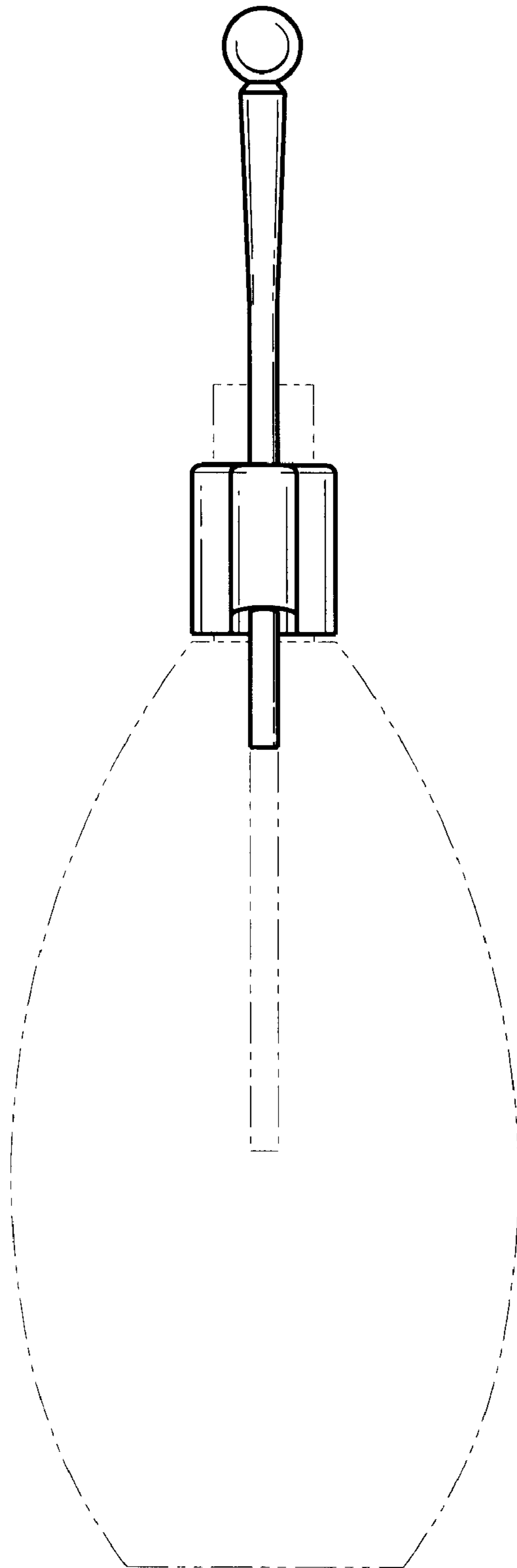


Fig. 4