



US00D430490S

United States Patent [19]
DuCorday

[11] **Patent Number: Des. 430,490**

[45] **Date of Patent: ** Sep. 5, 2000**

[54] **HANDLE WITH INTERLOCKING CLOSURE FOR A BAG**

5,813,092 9/1998 Greenfield et al. 383/15 X

Primary Examiner—Cathron B. Matta

[76] Inventor: **Gerard M. DuCorday**, 10871 Thorley Rd., Santa Ana, Calif. 92705

[57] **CLAIM**

[**] Term: **14 Years**

The ornamental design for a “handle with interlocking closure for a bag”, as shown and described.

[21] Appl. No.: **29/115,688**

DESCRIPTION

[22] Filed: **Dec. 16, 1999**

FIG. 1 is a perspective view of a handle with interlocking closure for a bag showing my new design, and shown in the open position;

[51] **LOC (7) Cl.** **09-07**

[52] **U.S. Cl.** **D9/443**

FIG. 2 is a perspective view of a handle with interlocking closure for a bag showing my new design, and shown in the closed position;

[58] **Field of Search** D9/434, 443; D3/327, D3/328; D6/315, 317, 318, 319, 326; D8/320; 383/12, 13, 15, 16, 22, 23, 24, 78, 81, 92

FIG. 3 is a front elevational view of FIG. 2;

FIG. 4 is a rear elevational view of FIG. 2;

FIG. 5 is a right side elevational view of FIG. 2;

FIG. 6 is a left side elevational view of FIG. 2;

FIG. 7 is a top plan view of FIG. 2;

FIG. 8 is bottom plan view of FIG. 2; and,

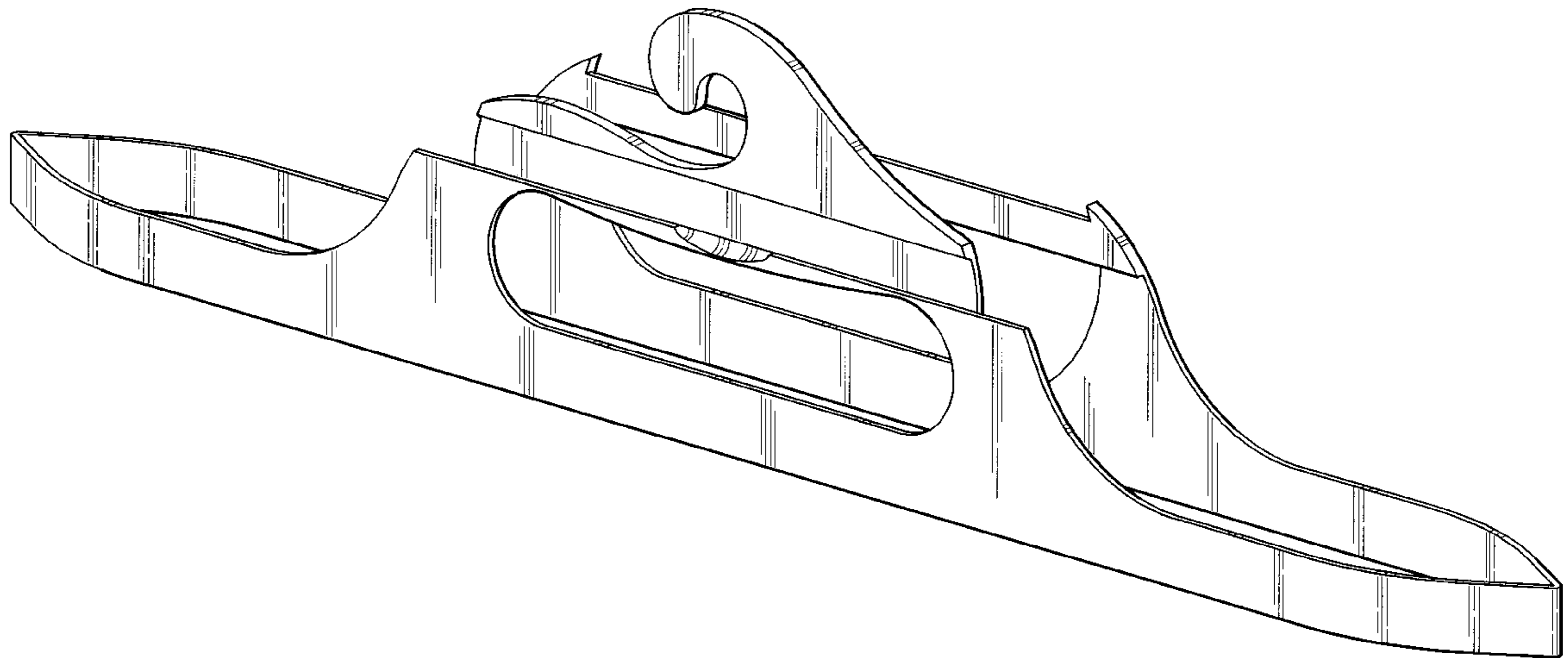
FIG. 9 is an enlarged sectional view along line 9—9 of FIG. 2. The bag is shown in broken lines for illustrative purposes only and forms no part of the claimed design.

[56] **References Cited**

U.S. PATENT DOCUMENTS

- D. 242,764 12/1976 Kamins D9/434 X
- D. 412,116 7/1999 DuCorday D9/443
- D. 415,683 10/1999 DuCorday D9/443
- 3,452,922 7/1969 Hart 383/15
- 3,987,958 10/1976 Kamins et al. 383/15

1 Claim, 4 Drawing Sheets



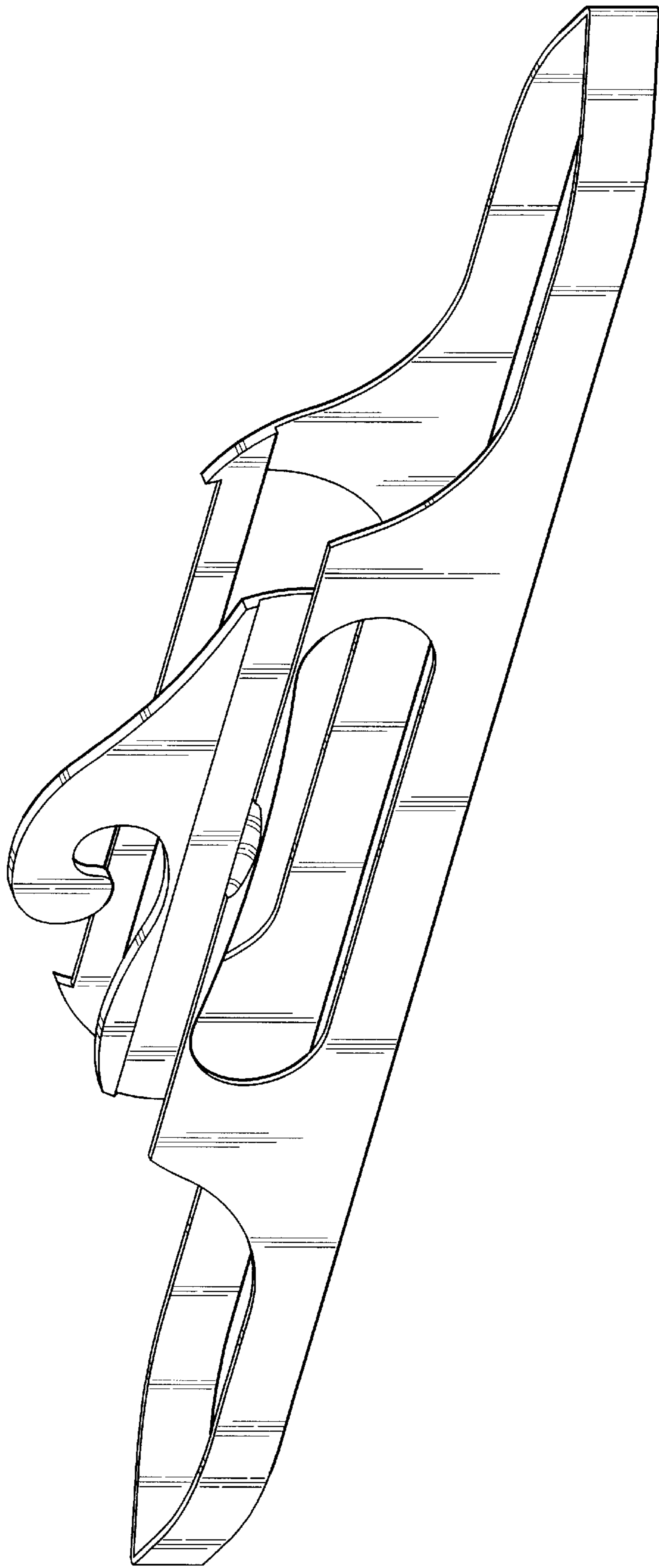


Fig. 1

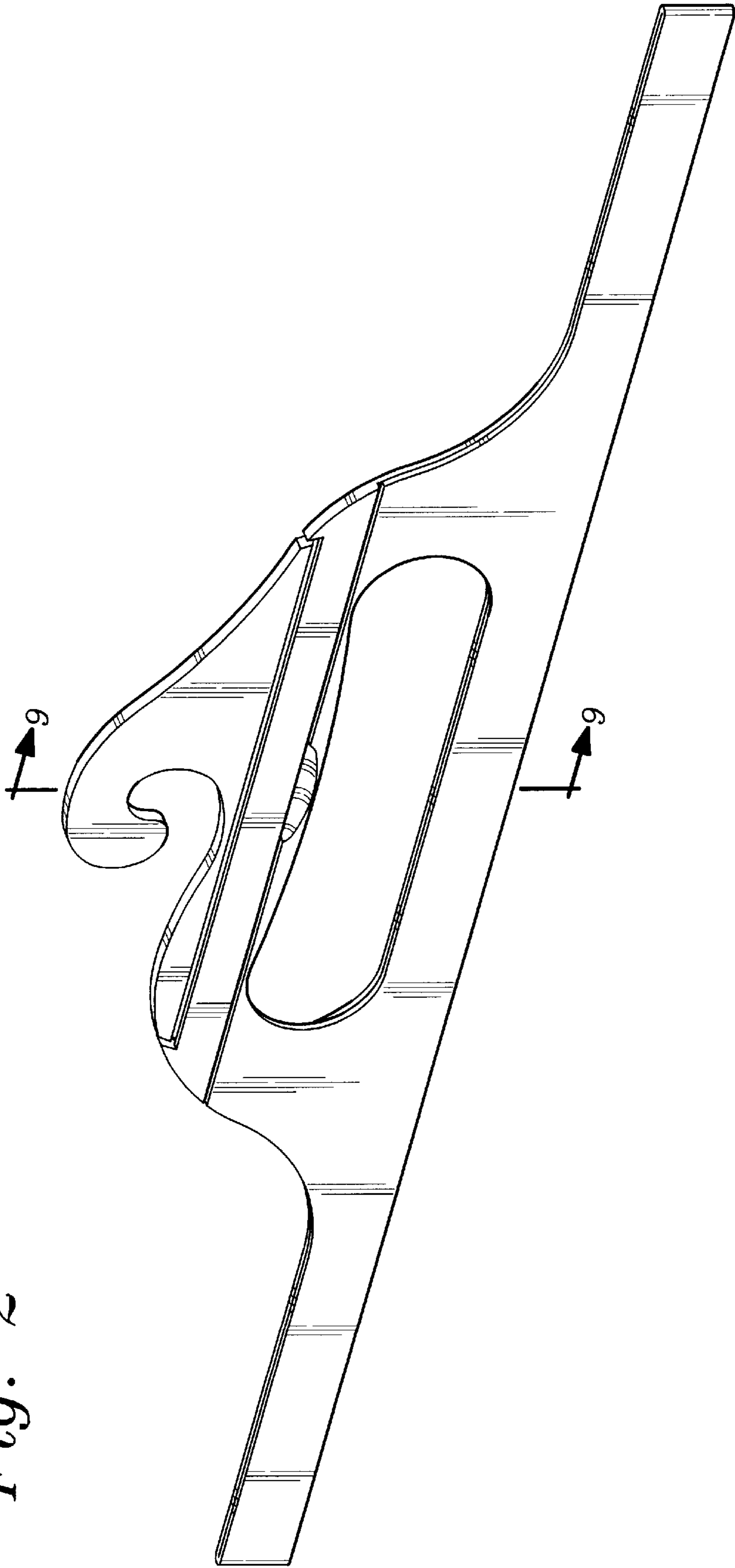


Fig. 2

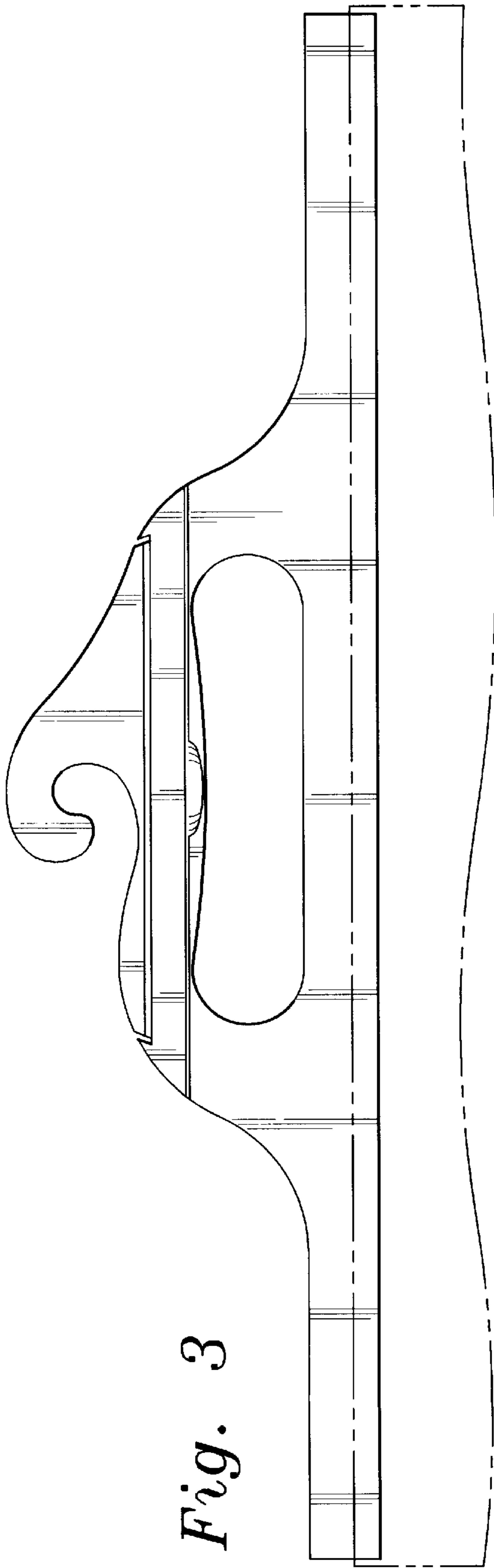


Fig. 3

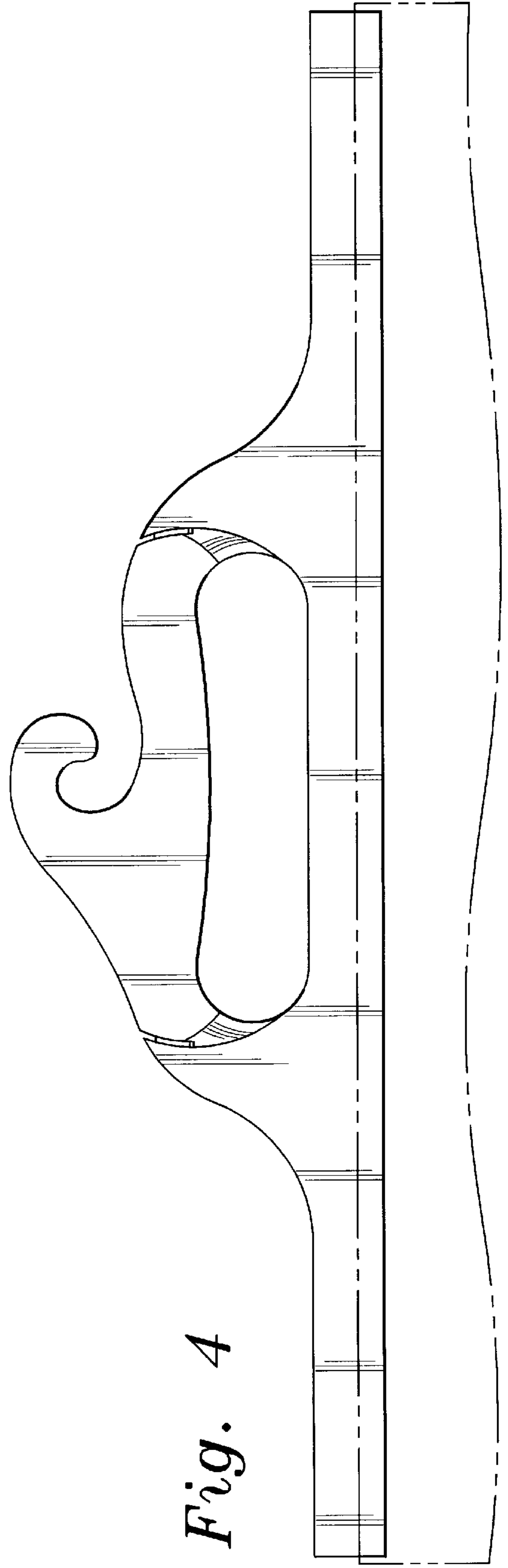


Fig. 4

Fig. 7



Fig. 8



Fig. 5



Fig. 6



Fig. 9

