



US00D430489S

United States Patent [19]

[11] **Patent Number: Des. 430,489**

Bowers et al.

[45] **Date of Patent: ** Sep. 5, 2000**

[54] **CONTAINER**

4,138,052	2/1979	Torigian	229/122
5,014,888	5/1991	Bryan	229/125.15
5,259,631	11/1993	Brande	229/122

[75] Inventors: **Paul K. Bowers**, Ledgewood; **Debra L. Sangiuliano**, Frenchtown, both of N.J.

Primary Examiner—Prabhakar Deshmukh
Attorney, Agent, or Firm—Lawrence D. Schuler

[73] Assignee: **McNeil-PPC, Inc**, Skillman, N.J.

[**] Term: **14 Years**

[57] **CLAIM**

[21] Appl. No.: **29/111,376**

The ornamental design for a container, as shown and described.

[22] Filed: **Sep. 24, 1999**

DESCRIPTION

[51] **LOC (7) Cl.** **09-07**

FIG. 1 is a perspective view showing the container of my new design;

[52] **U.S. Cl.** **D9/416; D9/432**

FIG. 2 is a top plan view thereof;

[58] **Field of Search** D9/416, 417, 418,

FIG. 3 is a front elevational view thereof;

D9/414, 432, 424, 337; 229/122, 122.1, 238, 925, 125.15, 162; 206/765, 756, 761, 775-783

FIG. 4 is right-side elevational view thereof, the left side elevational view being a mirror image;

FIG. 5 is a rear elevational view thereof;

[56] **References Cited**

U.S. PATENT DOCUMENTS

D. 321,134	10/1991	Toinet	D9/416 X
D. 412,398	8/1999	Watabe	D9/423 X
3,944,128	3/1976	Hogan	229/122

FIG. 6 is a bottom plan view; and,

FIG. 7 is a view similar to FIG. 1 and showing certain parts in an open position.

1 Claim, 5 Drawing Sheets

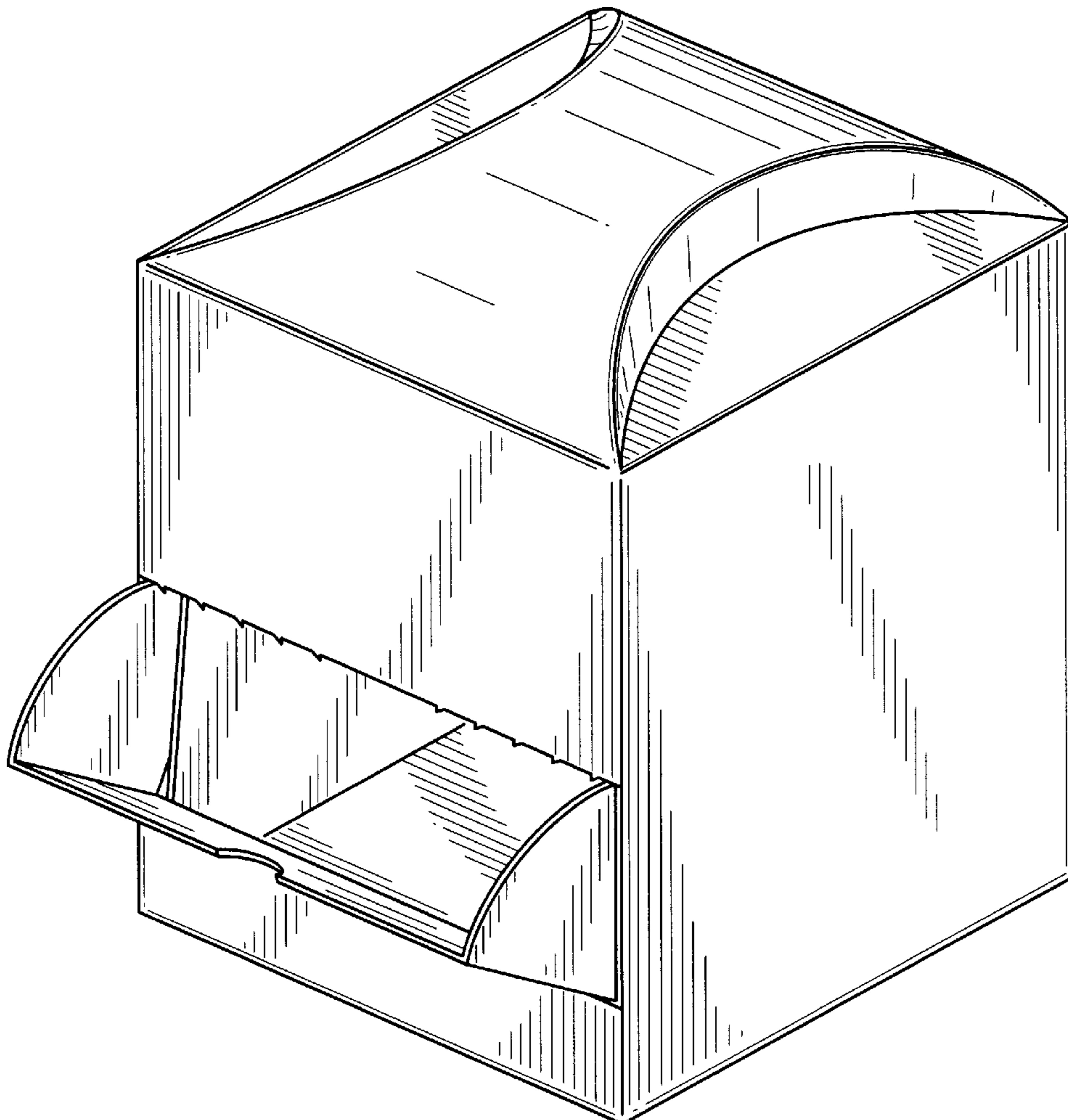


FIG. 1

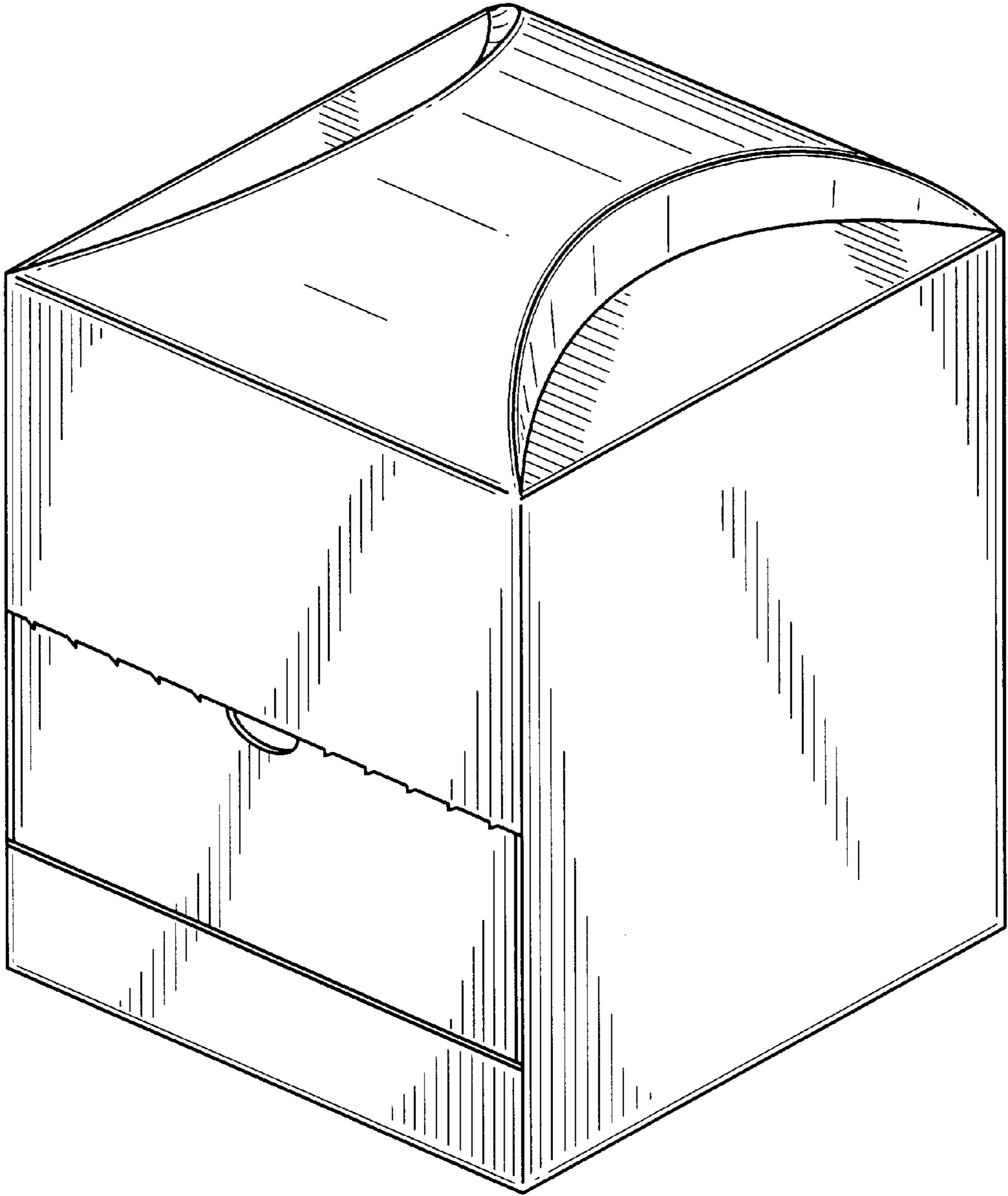


FIG. 2

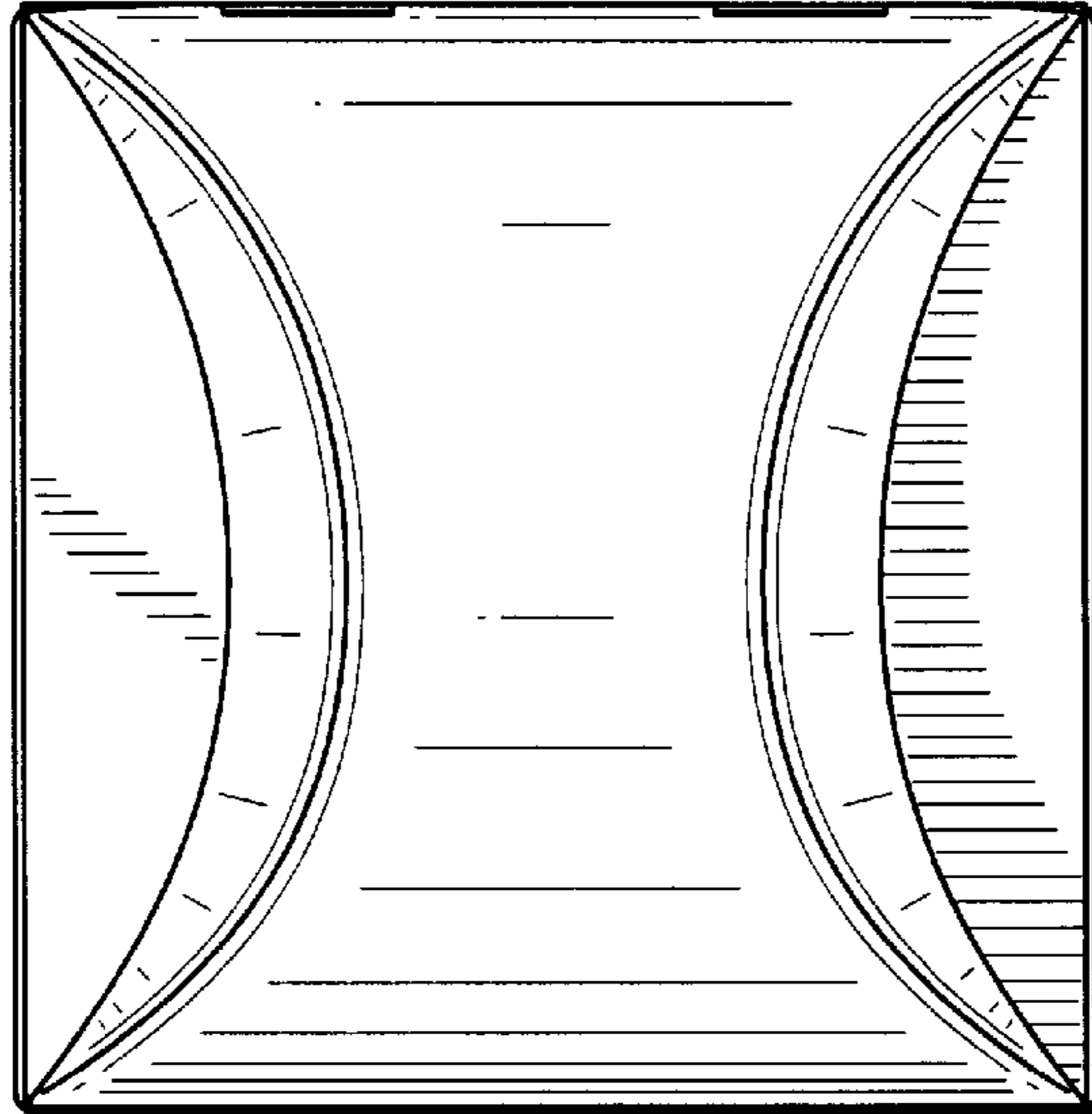


FIG. 3

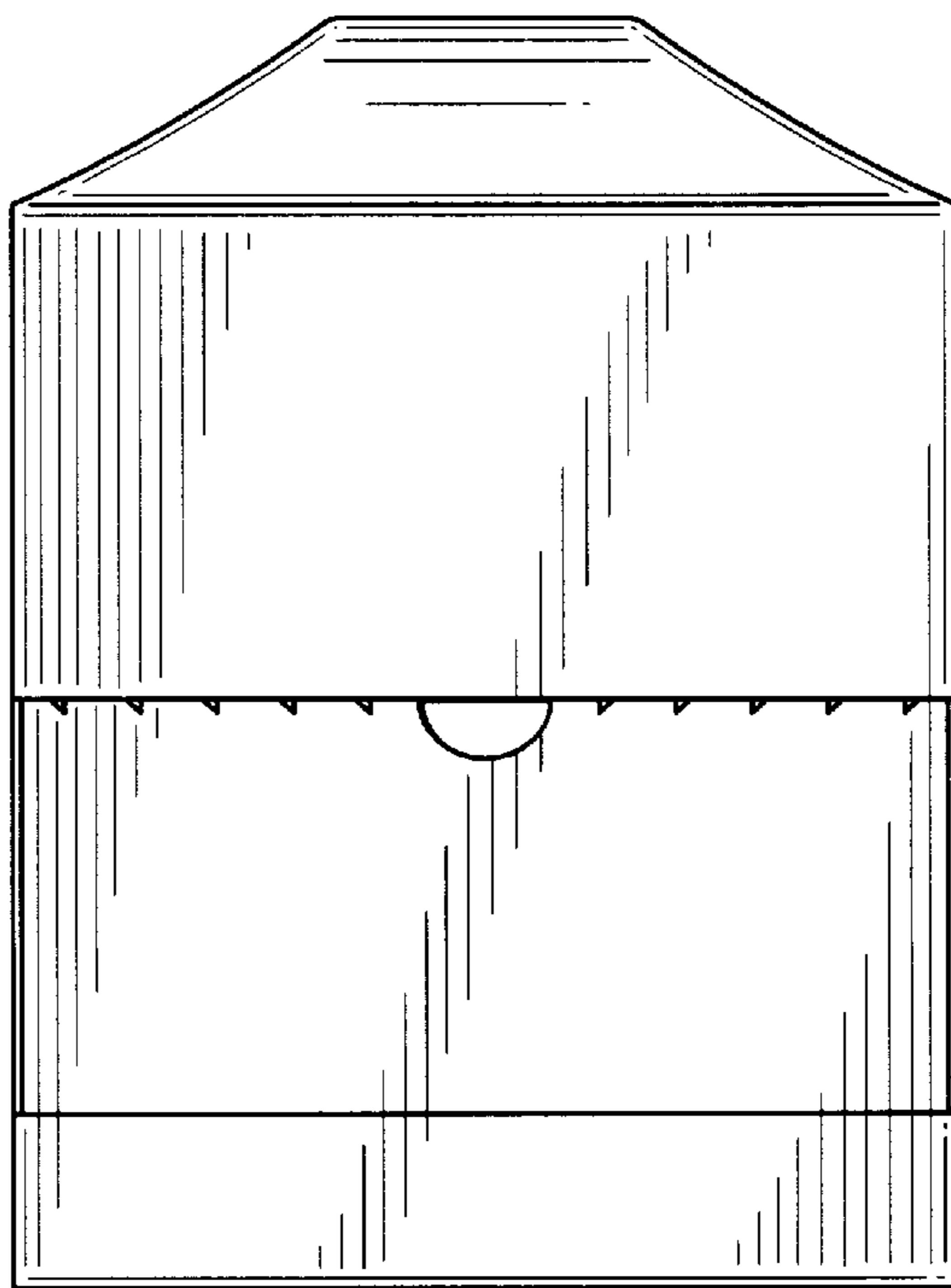


FIG. 4

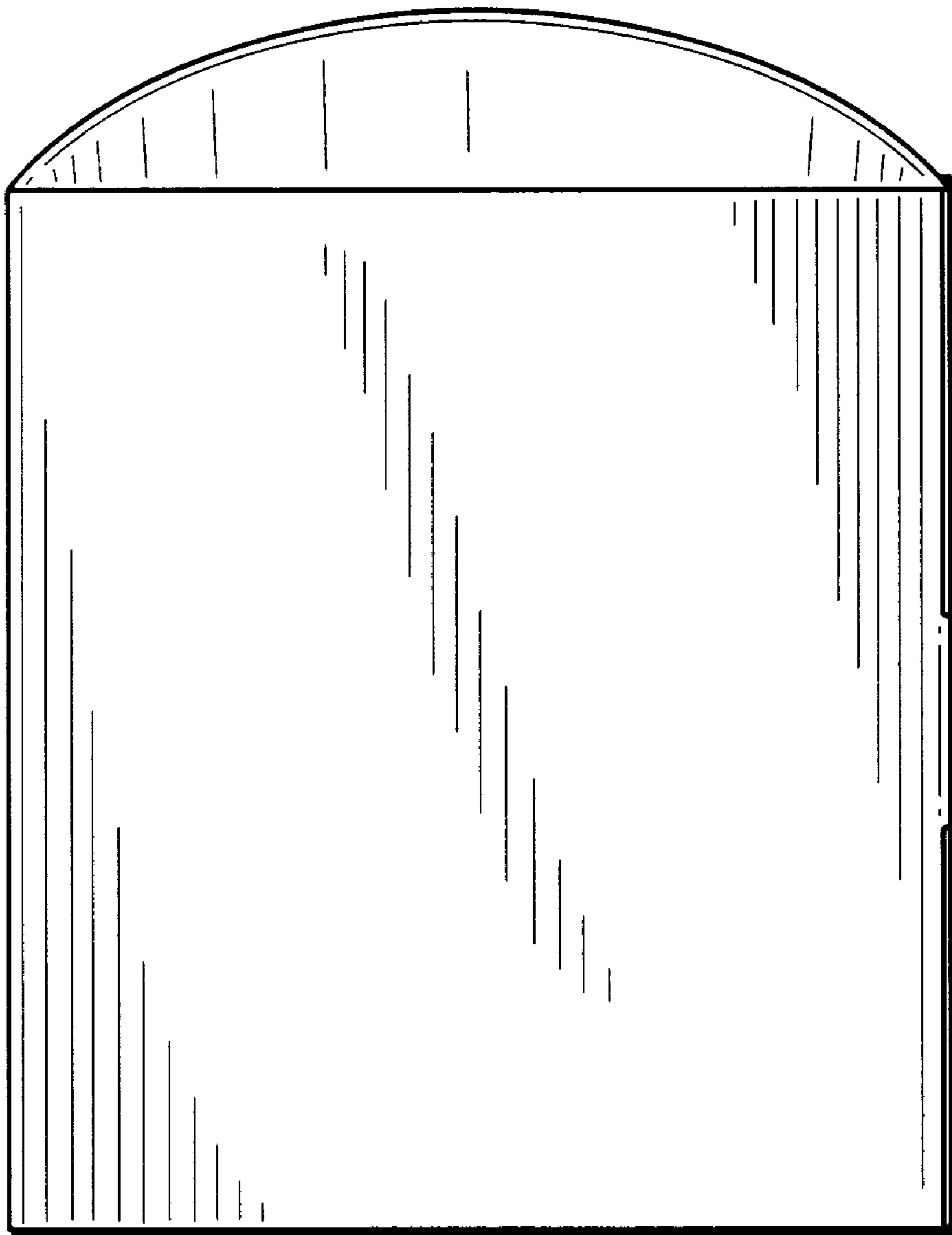


FIG. 5

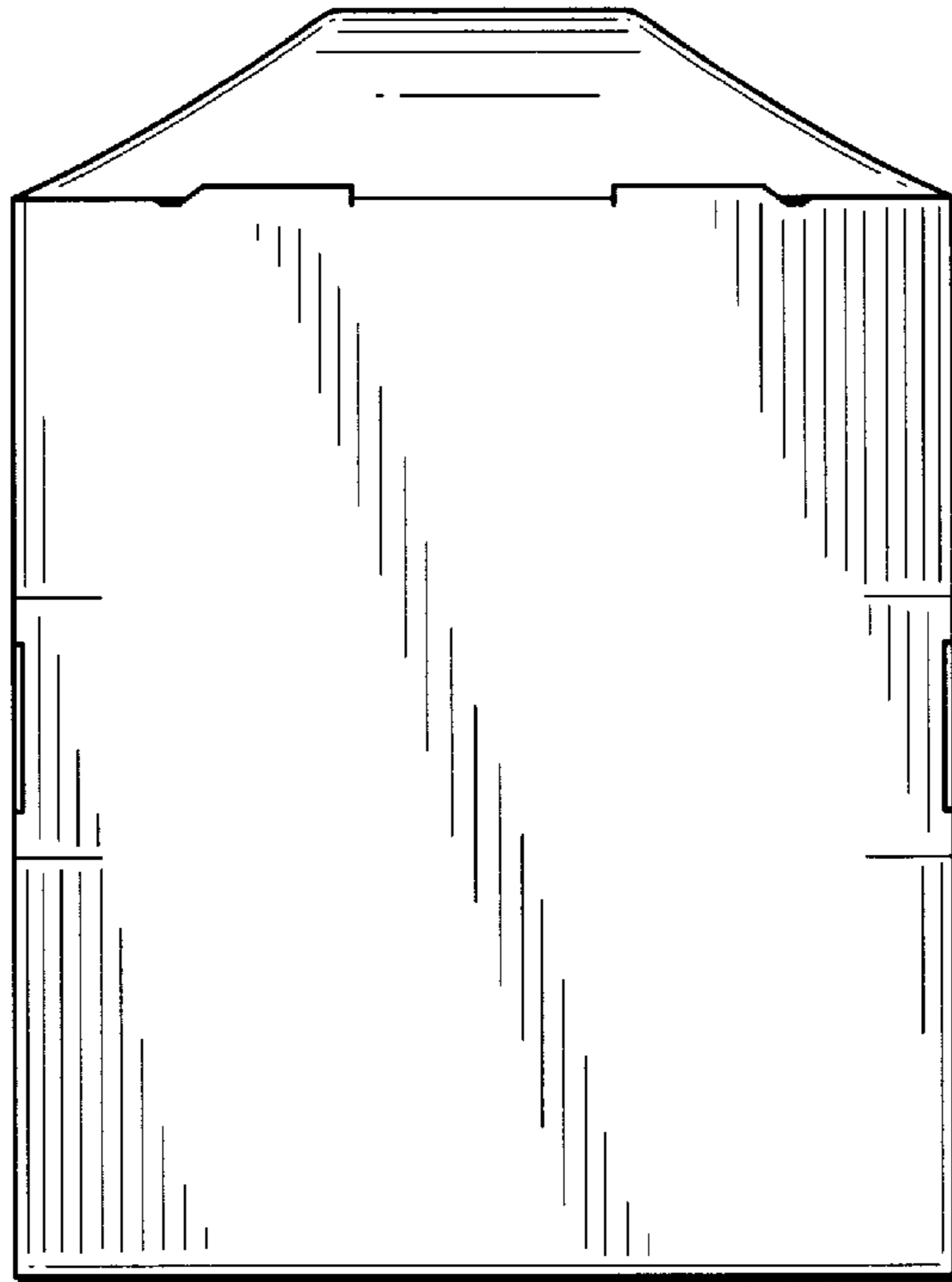


FIG. 6

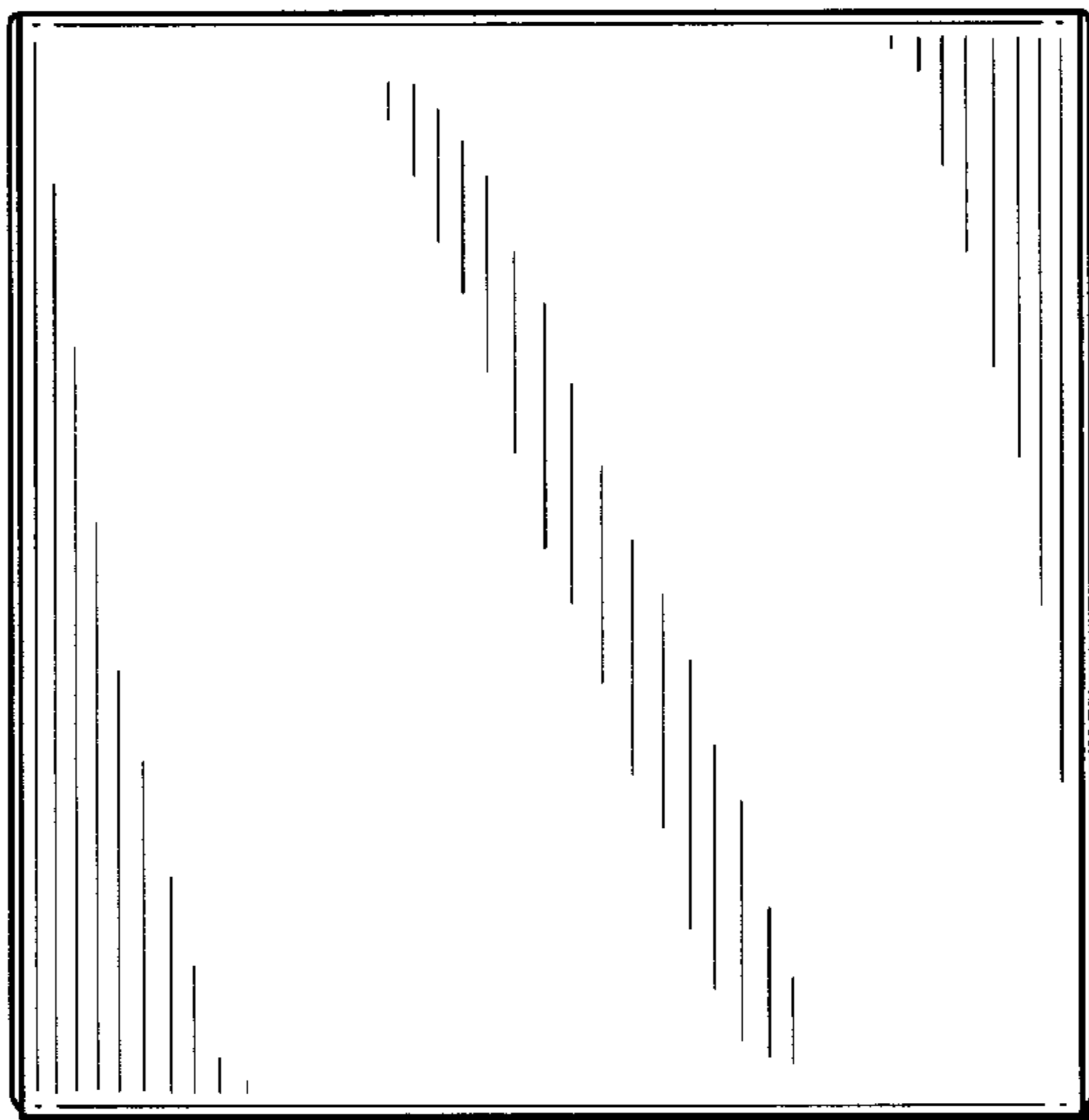


FIG. 7

