



US00D430484S

United States Patent [19]
Ikeda

[11] **Patent Number: Des. 430,484**

[45] **Date of Patent: ** Sep. 5, 2000**

[54] **STRING FIXING DEVICE**

[75] Inventor: **Yasuhiko Ikeda**, Toyonaka, Japan

[73] Assignee: **Nifco Inc.**, Yokohama, Japan

[**] Term: **14 Years**

[21] Appl. No.: **29/111,641**

[22] Filed: **Oct. 4, 1999**

[30] **Foreign Application Priority Data**

Apr. 13, 1999 [JP] Japan 11-9453

[51] **LOC (7) Cl.** **08-08**

[52] **U.S. Cl.** **D8/383**

[58] **Field of Search** D8/356, 383, 394;
D2/978; D11/212, 215; 24/115 G, 115 M,
136 R, 115 R

[56] **References Cited**

U.S. PATENT DOCUMENTS

D. 343,570	1/1994	Meier	D8/383
D. 368,852	4/1996	Ikeda	D8/383
D. 399,045	10/1998	Liston	D8/383
D. 402,190	12/1998	Anscher	D8/383
D. 417,388	12/1999	Kawahara	D8/383
5,078,310	1/1992	Ferry	24/115 G
5,737,808	4/1998	Ikeda	24/115 G
6,018,851	2/2000	Anscher	24/115 G

Primary Examiner—Alan P. Douglas
Assistant Examiner—Reid Hecker
Attorney, Agent, or Firm—Kanesaka & Takeuchi

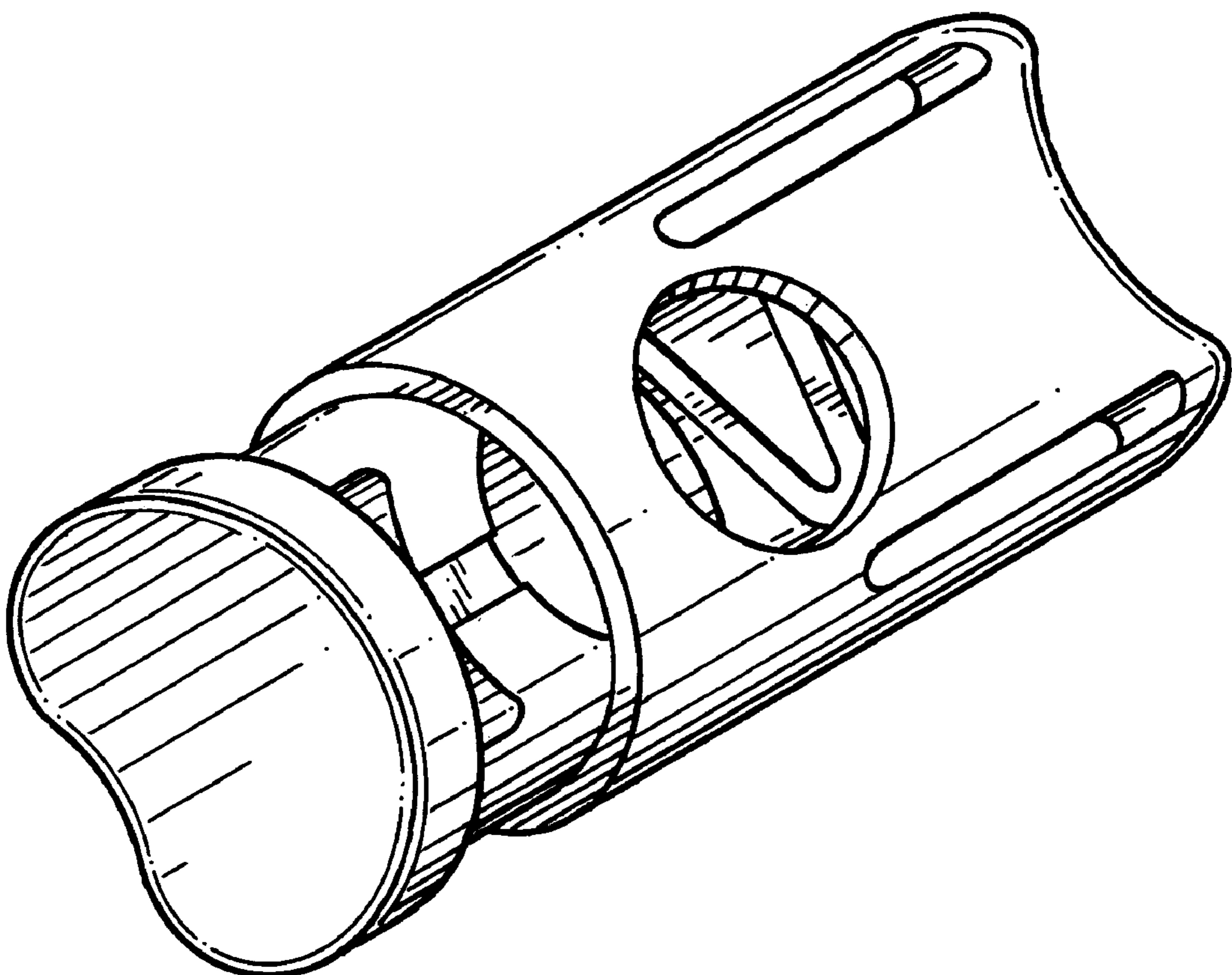
[57] **CLAIM**

The ornamental design for a string fixing device, as shown and described.

DESCRIPTION

FIG. 1 is a perspective view of a string fixing device showing my new design;
FIG. 2 is a front view thereof, the rear view being a mirror image of the front view;
FIG. 3 is a top plan view thereof, the bottom plan view being identical to the top plan view;
FIG. 4 is a right side view thereof, the left side view being a mirror image of the right side view;
FIG. 5 is a front view of the string fixing device, in the condition that a male member thereof is elastically pressed into a female member thereof to align holes respectively provided in the male member and the female member;
FIG. 6 is a top plan view of FIG. 5;
FIG. 7 is a cross sectional view taken along line 7—7 in FIG. 2;
FIG. 8 is a cross sectional view taken along line 8—8 in FIG. 3; and,
FIG. 9 is a cross sectional view taken along line 9—9 in FIG. 2.

1 Claim, 4 Drawing Sheets



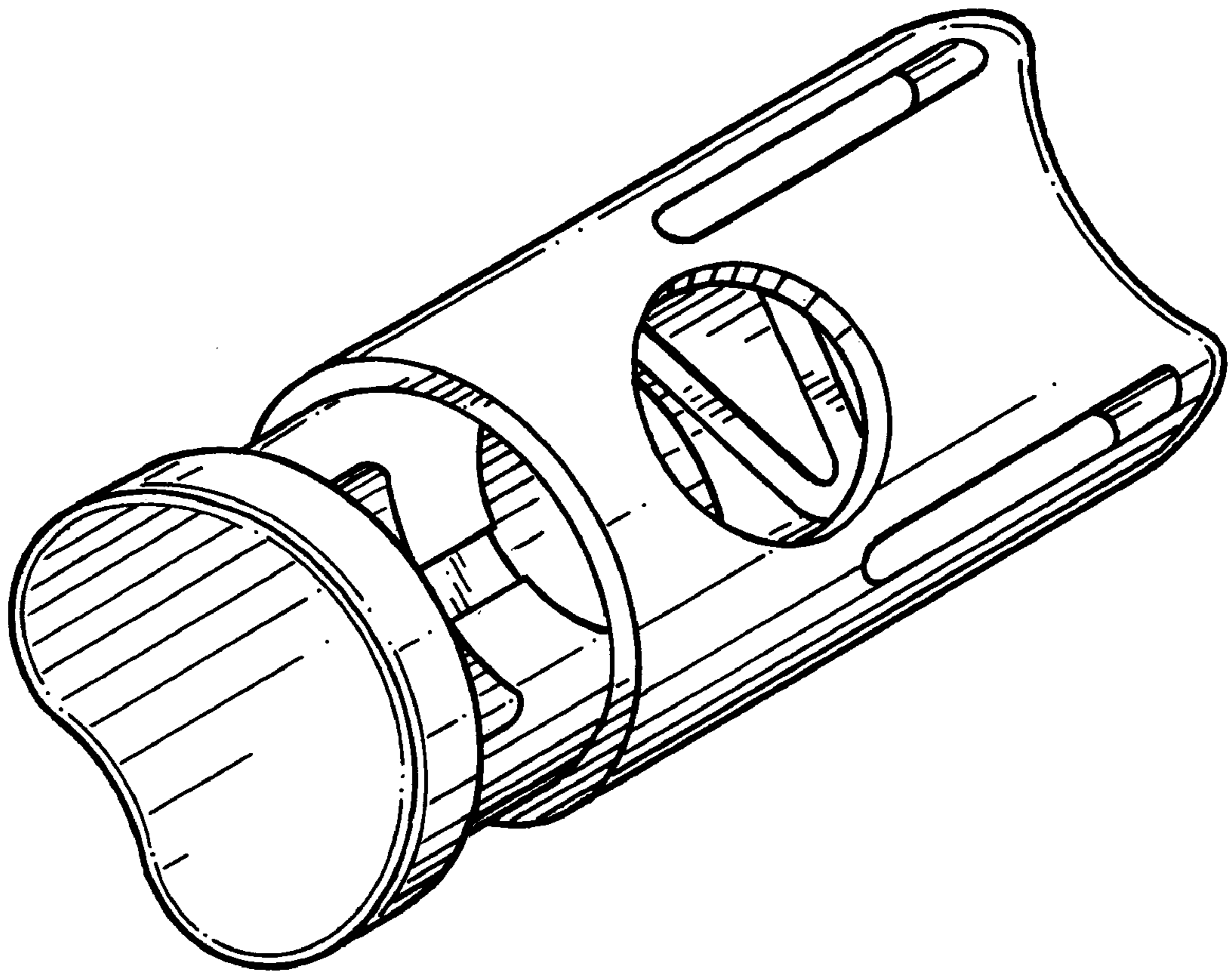


FIG. 1

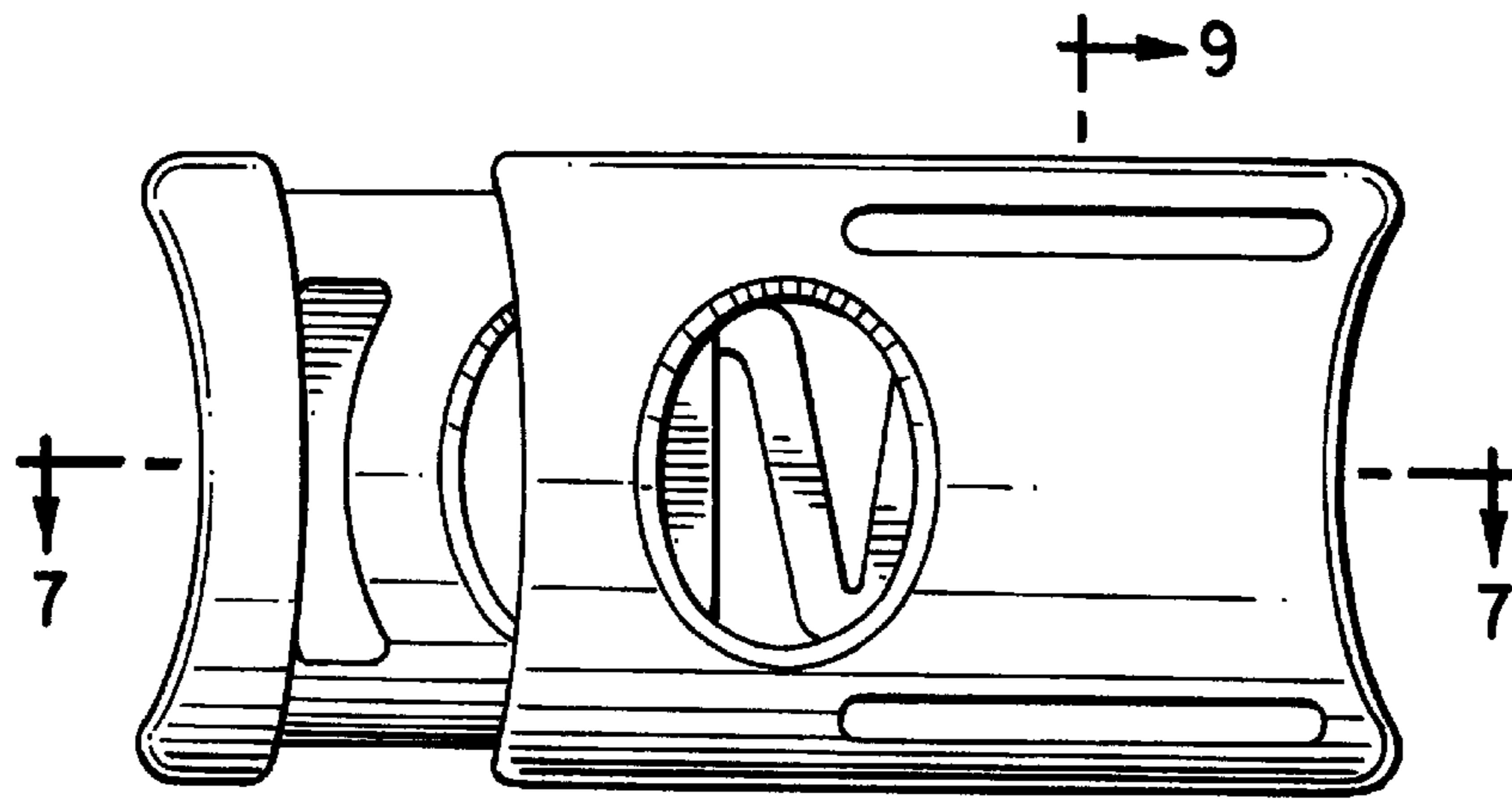


FIG. 2

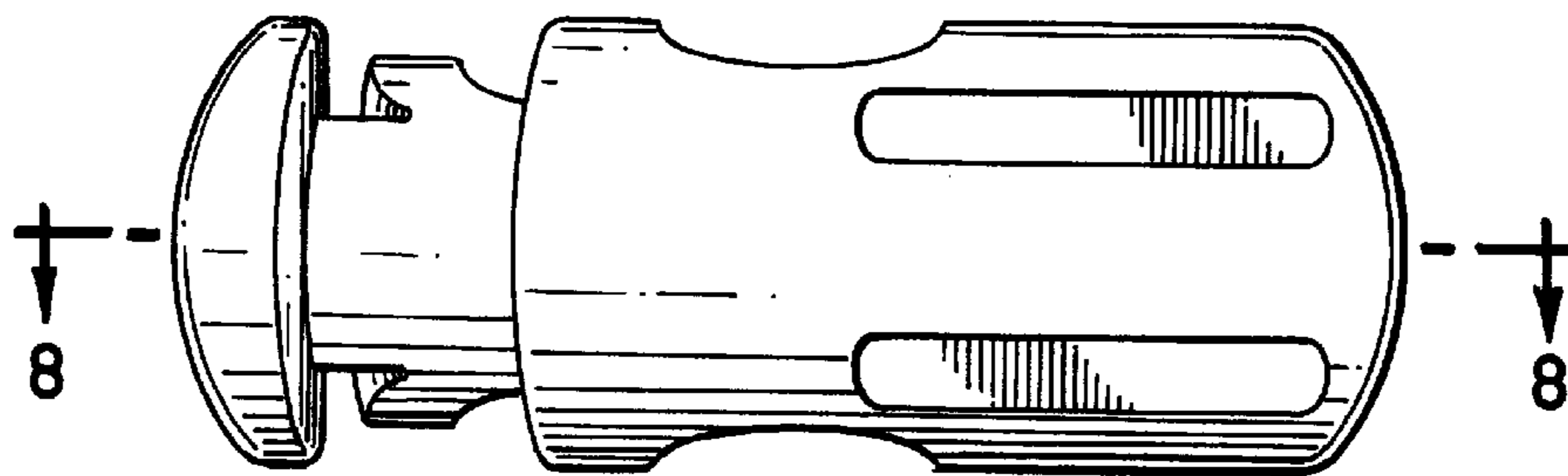


FIG. 3

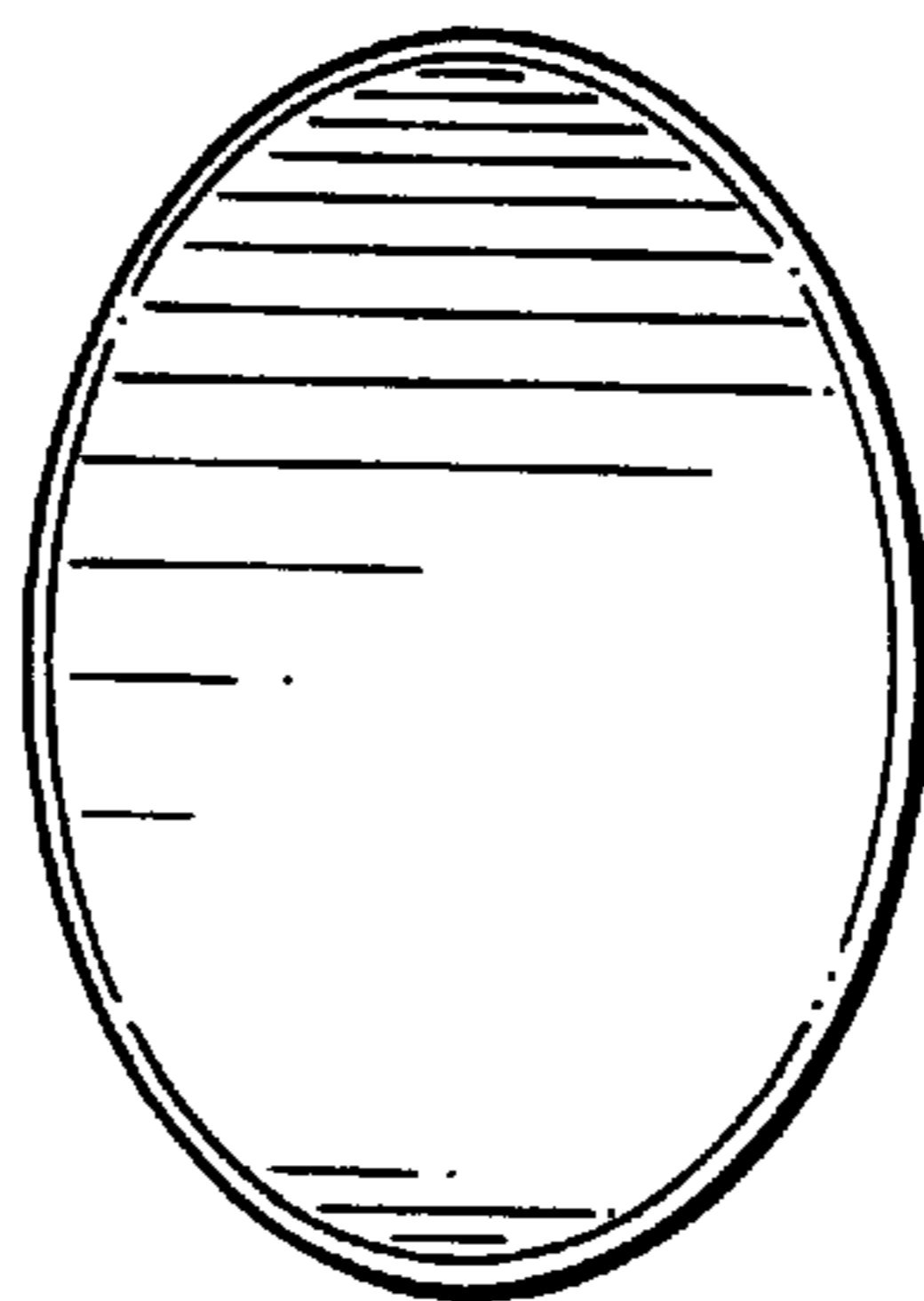


FIG. 4

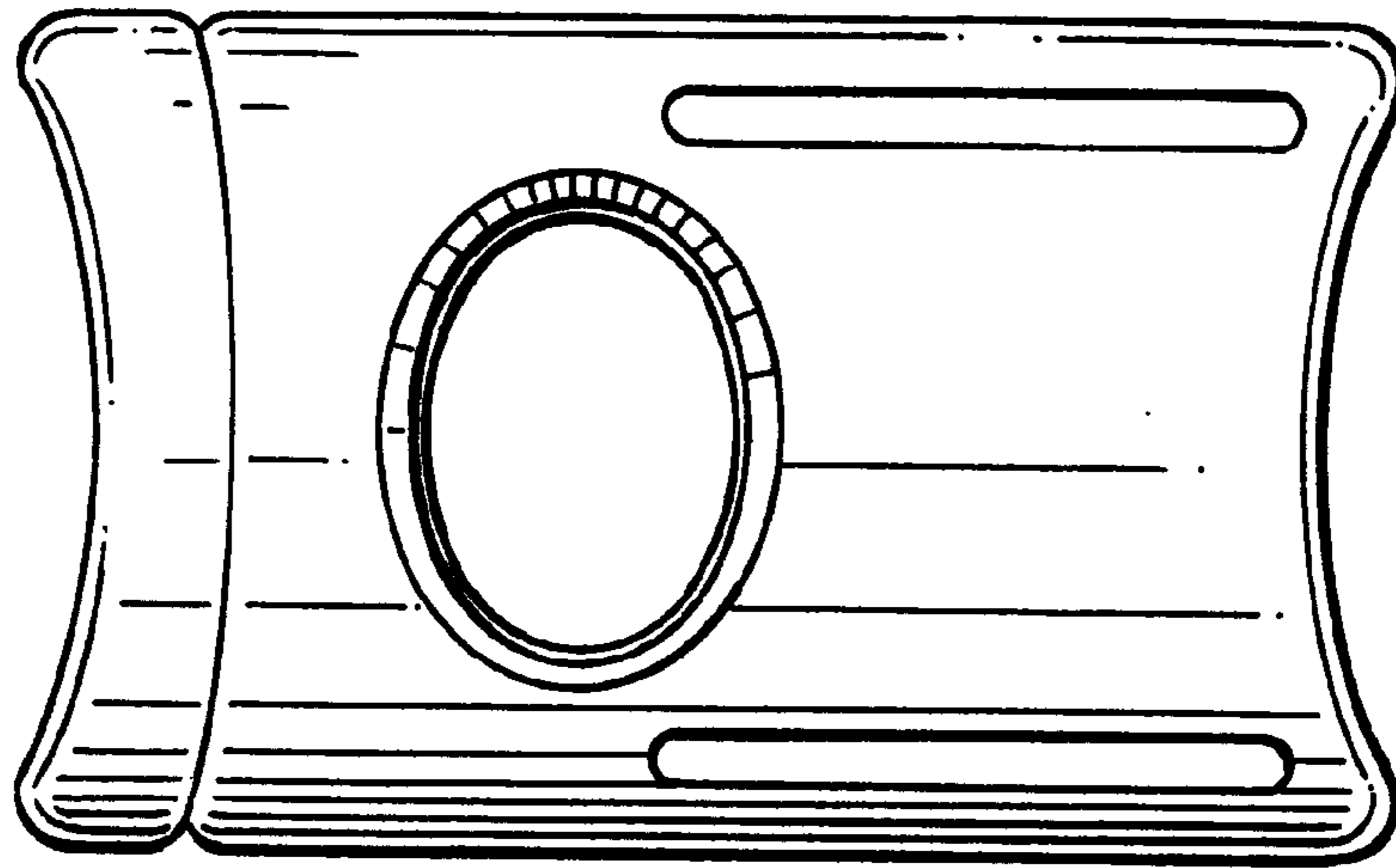


FIG. 5

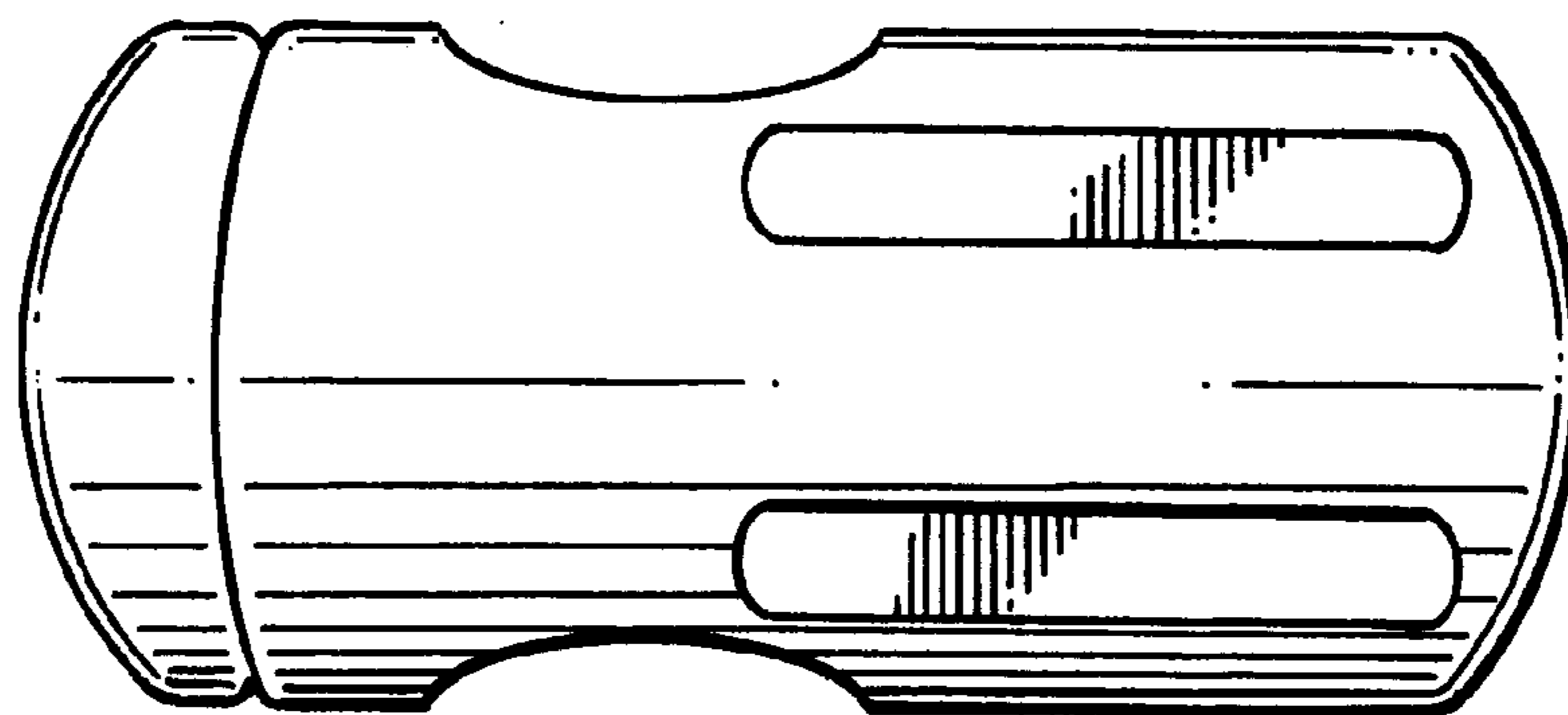


FIG. 6

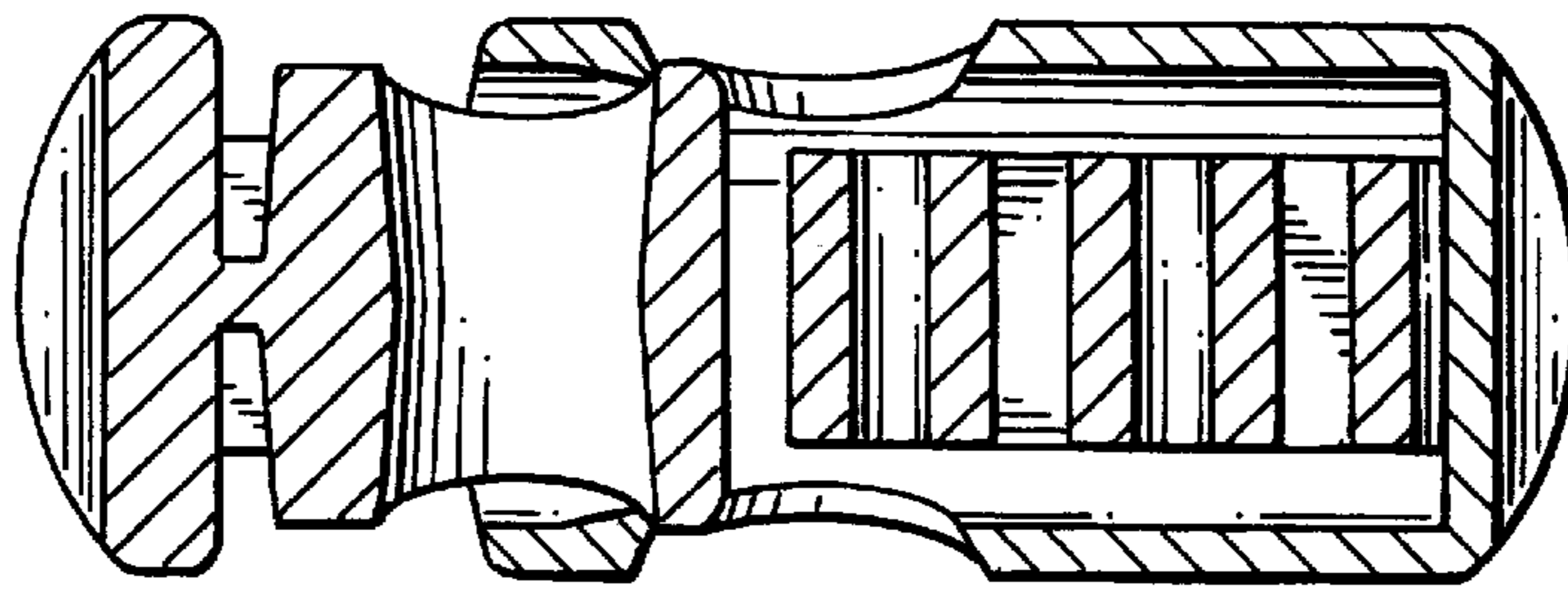


FIG. 7

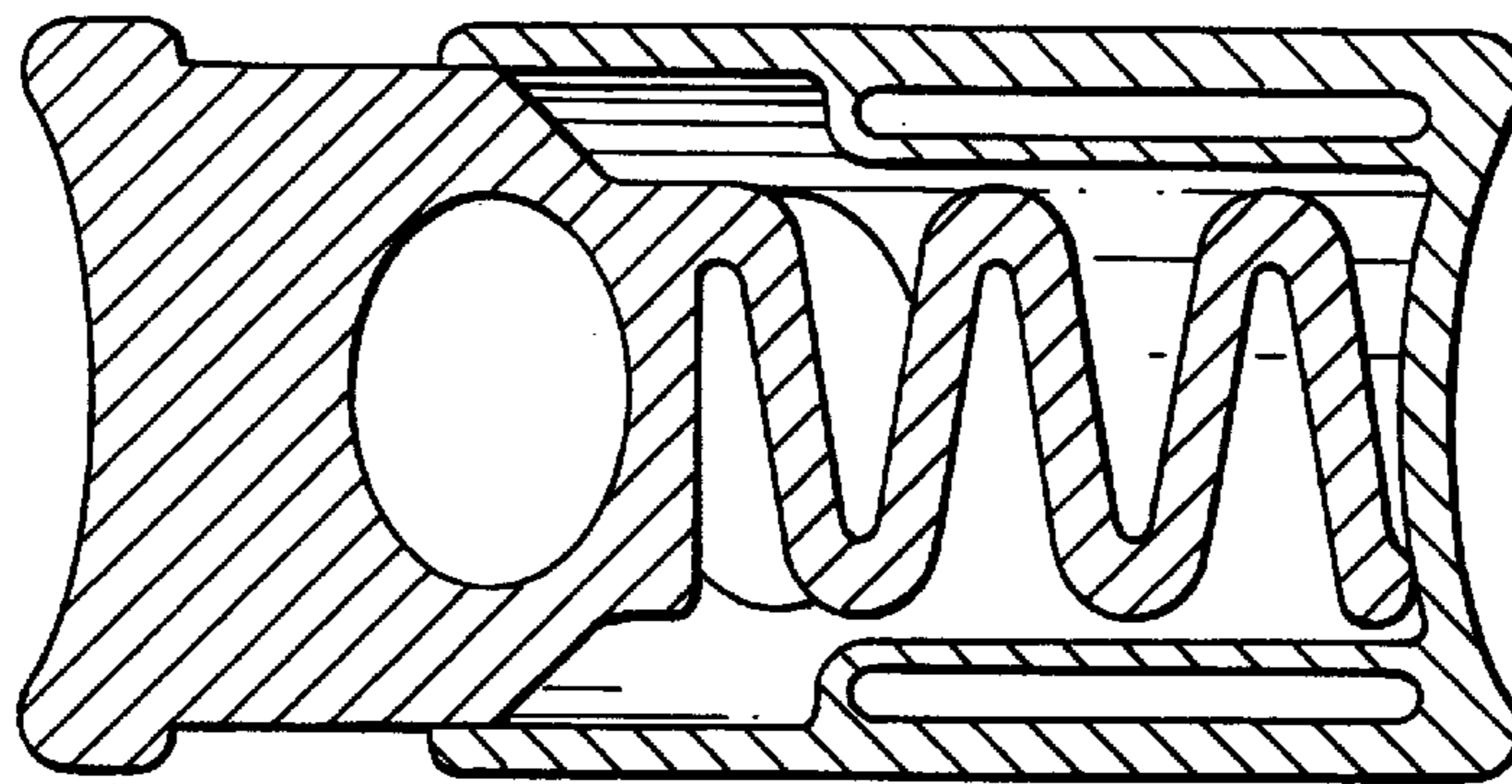


FIG. 8

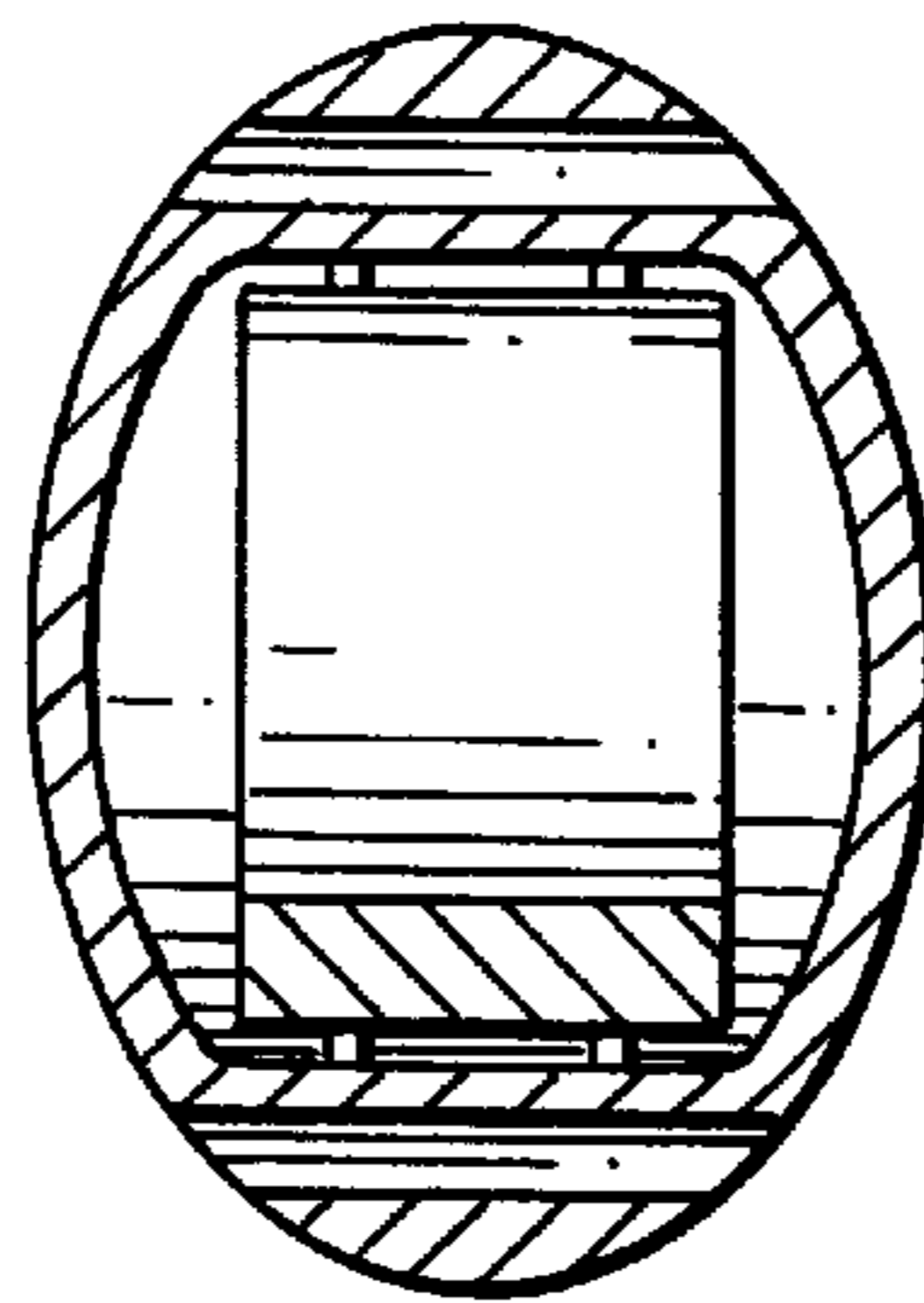


FIG. 9