



US00D430483S

# United States Patent [19]

Wah et al.

[11] Patent Number: Des. 430,483

[45] Date of Patent: \*\* Sep. 5, 2000

[54] **MAGNETIC CLASP**

[75] Inventors: **Cheung Kit Wah**, Tai Po, The Hong Kong Special Administrative Region of the People's Republic of China; **Pilar Tadrous**, Jersey City, N.J.; **Stephen T. Olson**, Troy, Mich.

[73] Assignee: **Mitzi International**, New York, N.Y.

[\*\*] Term: **14 Years**

[21] Appl. No.: **29/108,097**

[22] Filed: **Jul. 20, 1999**

[51] **LOC (7) Cl.** ..... **08-08**

[52] **U.S. Cl.** ..... **D8/382; D11/220**

[58] **Field of Search** ..... D11/220, 200-211, D11/231; 24/201, 303; D8/382, 349, 354, 373; D3/243, 324; 150/150, 151, 131

[56] **References Cited**

**U.S. PATENT DOCUMENTS**

D. 303,641	9/1989	Aoki .....	D11/220
D. 403,952	1/1999	Podell .....	D8/382
D. 404,997	2/1999	Podell .....	D8/382
496,408	5/1893	Hall .	
1,829,361	10/1931	Lane .	
2,615,227	10/1952	Hornik .....	24/230
2,687,159	8/1954	Dobbs et al. ....	150/151
2,815,236	12/1957	Lowinski .....	292/251.5
3,086,268	4/1963	Chaffin, Jr. .	
3,141,216	7/1964	Brett .	
3,210,820	10/1965	Humiston .....	24/303
3,324,821	6/1967	Laughlin .	
3,372,443	3/1968	Daddona, Jr. .	
3,589,341	6/1971	Krebs .....	119/106
4,021,891	5/1977	Morita .	
4,200,852	4/1980	Aoki .	
4,453,294	6/1984	Morita .....	24/303

5,722,126	3/1998	Reiter .....	24/303
B1 4,453,294	5/1991	Morita .....	24/303
B2 4,453,294	7/1996	Morita .....	24/303

**OTHER PUBLICATIONS**

Romag Fasteners Inc. advertisement, Copyright 1998, 1 page.

*Primary Examiner*—Louis S. Zarfes  
*Assistant Examiner*—Catherine R. Oliver  
*Attorney, Agent, or Firm*—Harness, Dickey & Pierce, P.L.C.

[57] **CLAIM**

The ornamental design for an magnetic clasp, as shown and described.

**DESCRIPTION**

FIG. 1 is a perspective view of the female component of a magnetic clasp of the present invention.

FIG. 2 is a front view thereof.

FIG. 3 is a left side view thereof, it being understood that the right side view, top side view and bottom side view are identical with the exception of the location of the mounting prongs which are not part of the subject design.

FIG. 4 is a perspective view of a male component of a magnetic snap of the present invention.

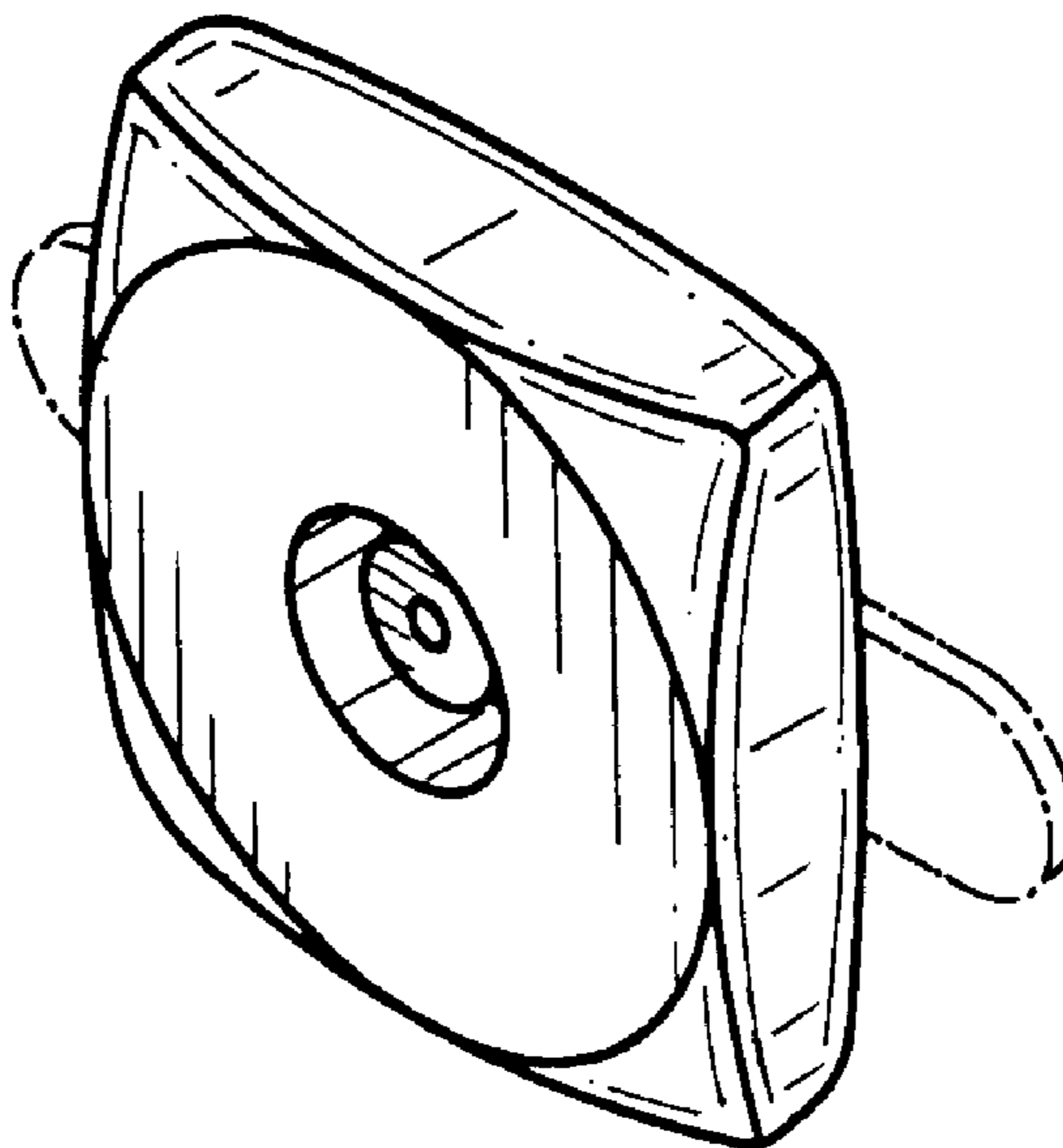
FIG. 5 is a front view thereof; and,

FIG. 6 is a left side view thereof, it being understood that the right side view, top side view and bottom side view are identical with the exception of the location of the mounting prongs which are not part of the subject design.

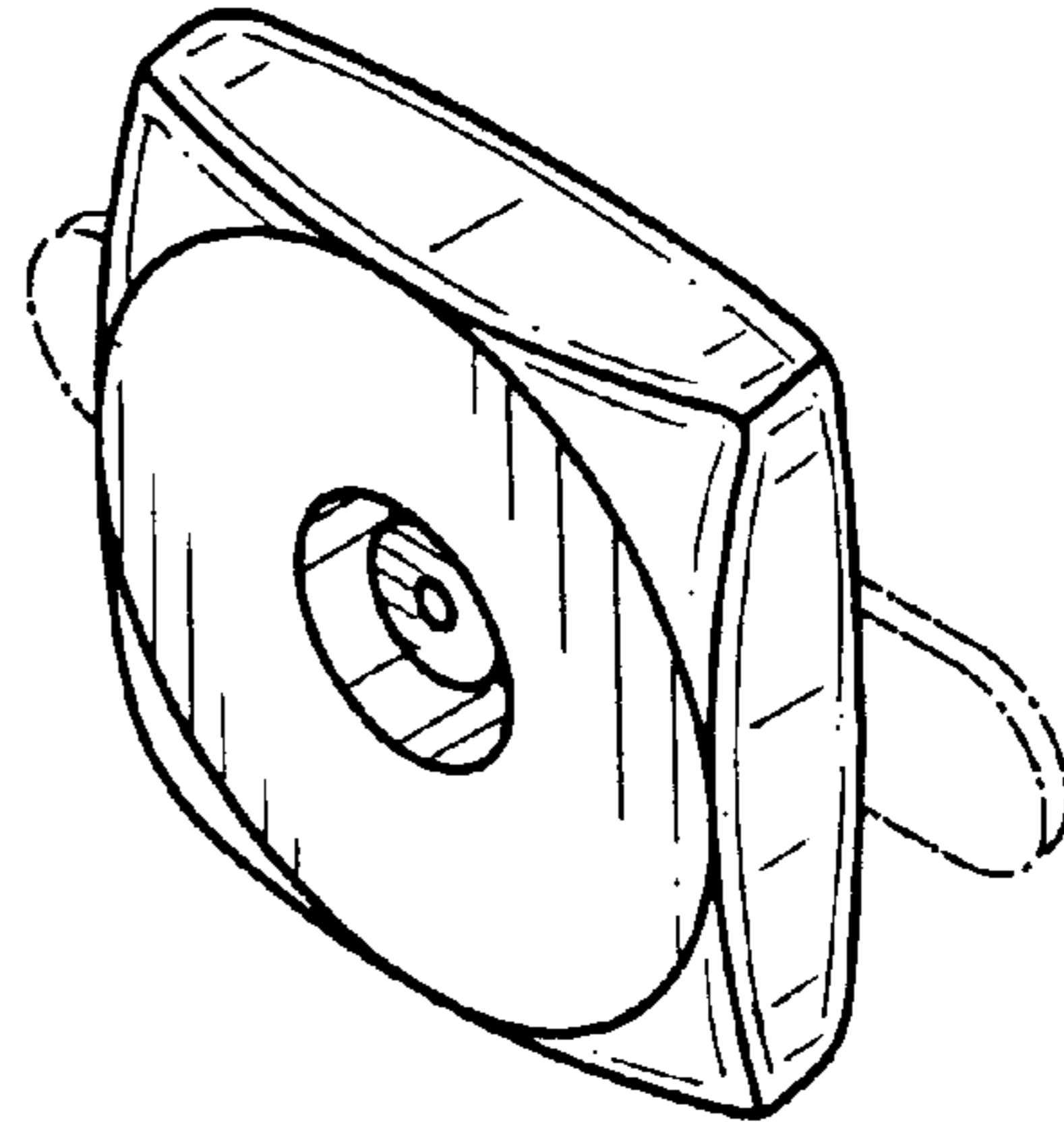
The broken line showing of the mounting prongs is for illustrative purposes only and forms no part of the claimed design.

The surface(s) or portion(s) of the article not shown in the drawing or described in the specification form(s) no part of the claimed design.

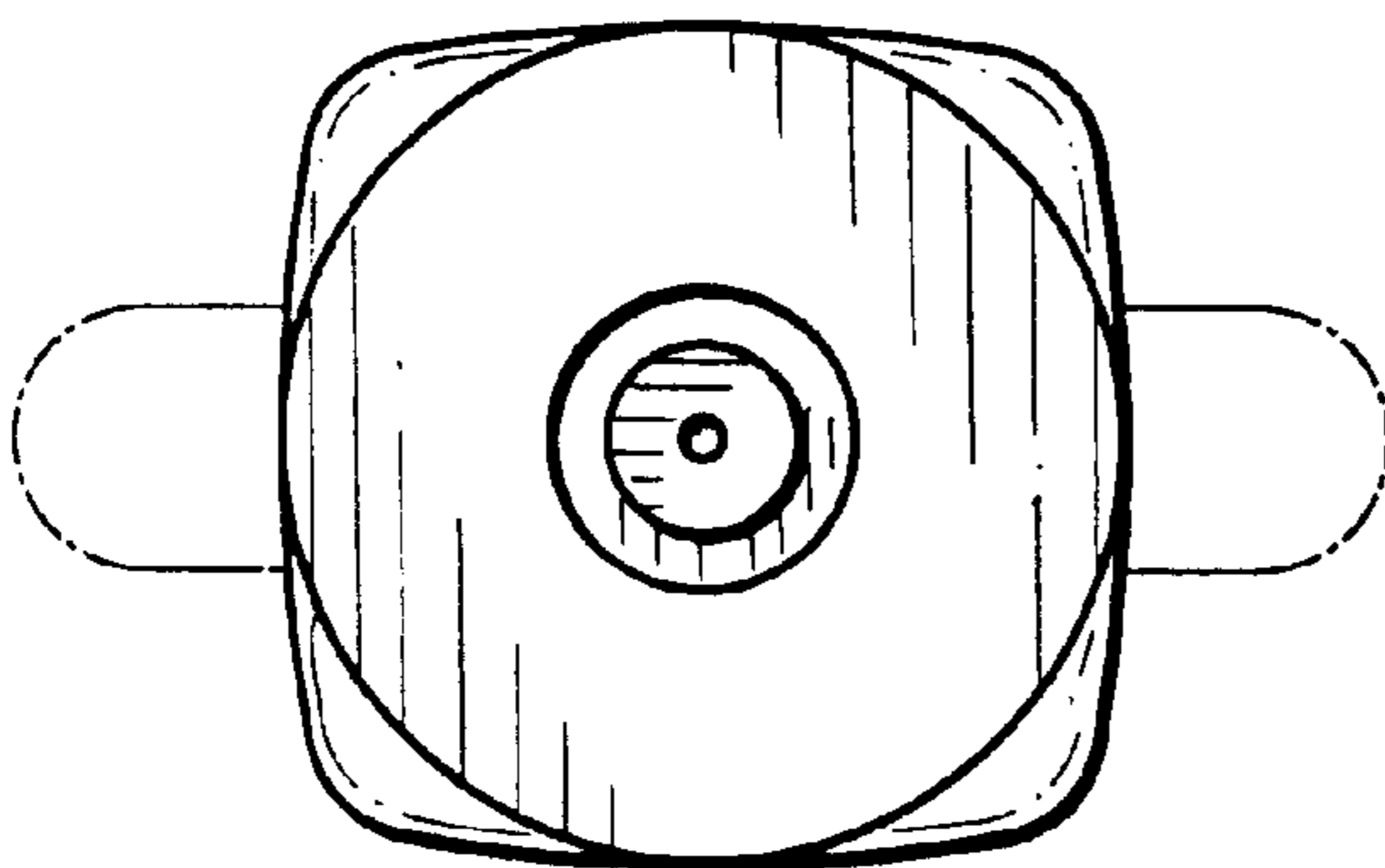
**1 Claim, 2 Drawing Sheets**



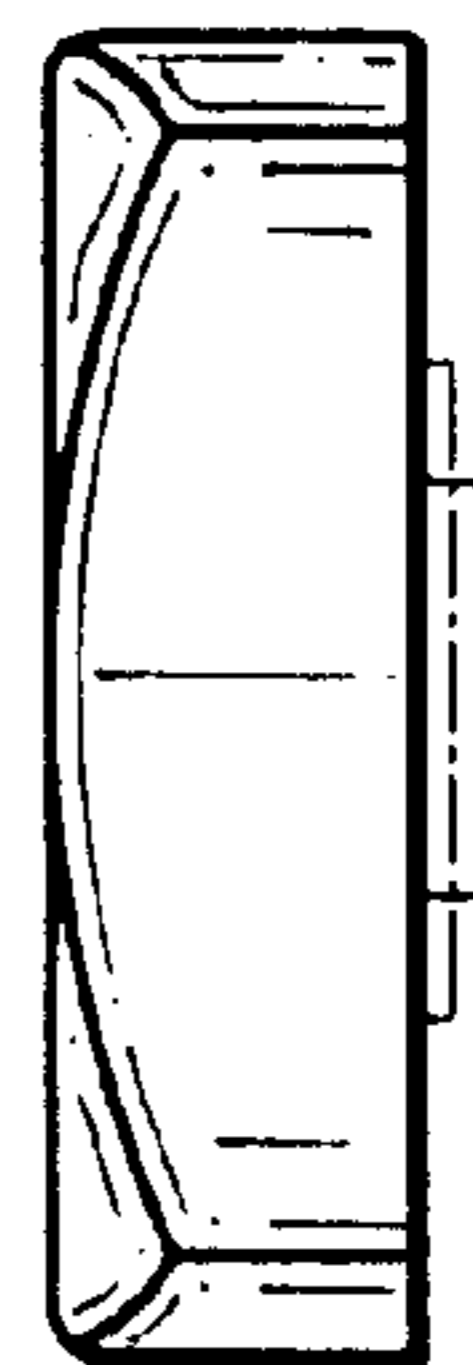
*FIG. 1*



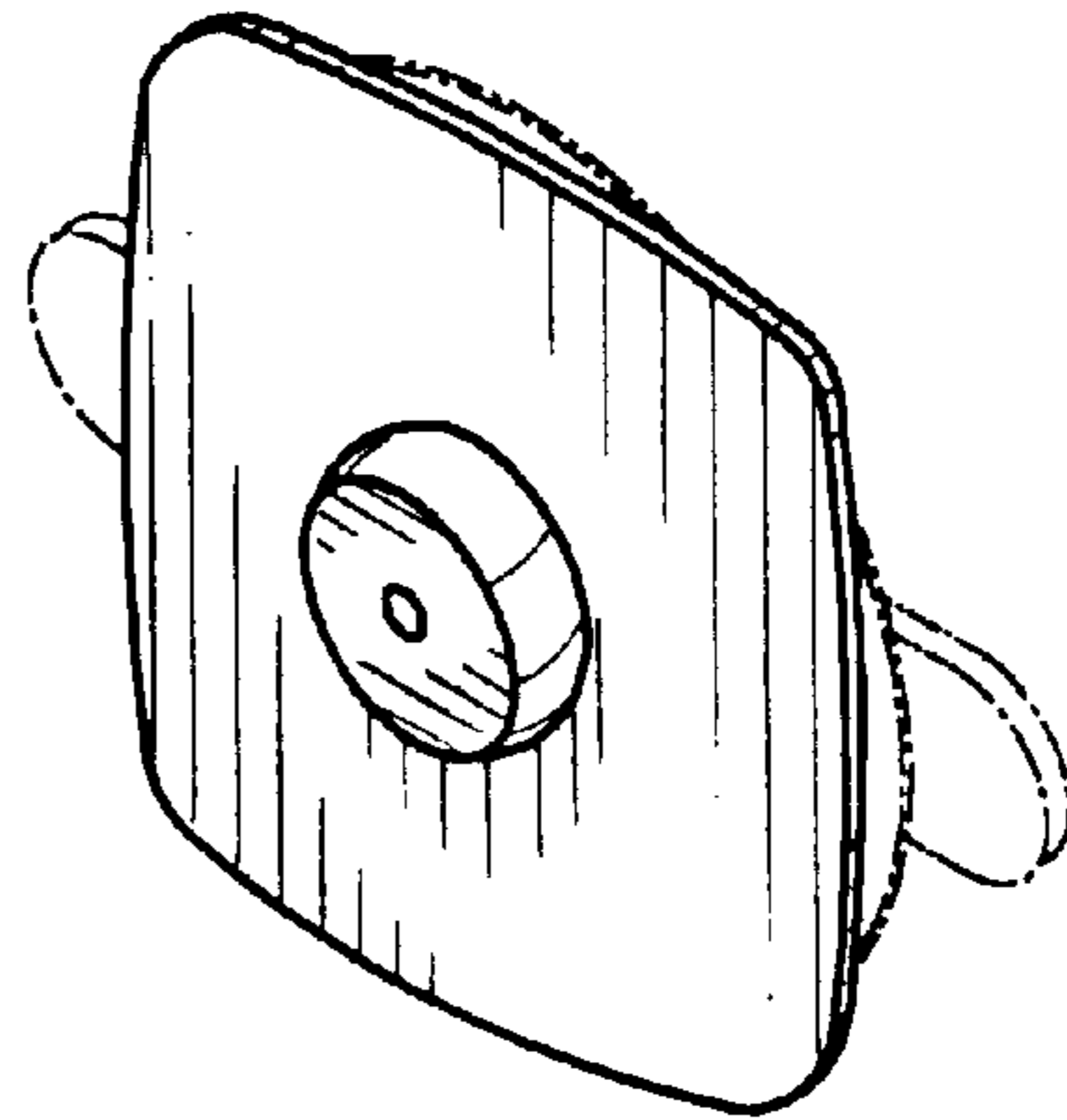
*FIG. 2*



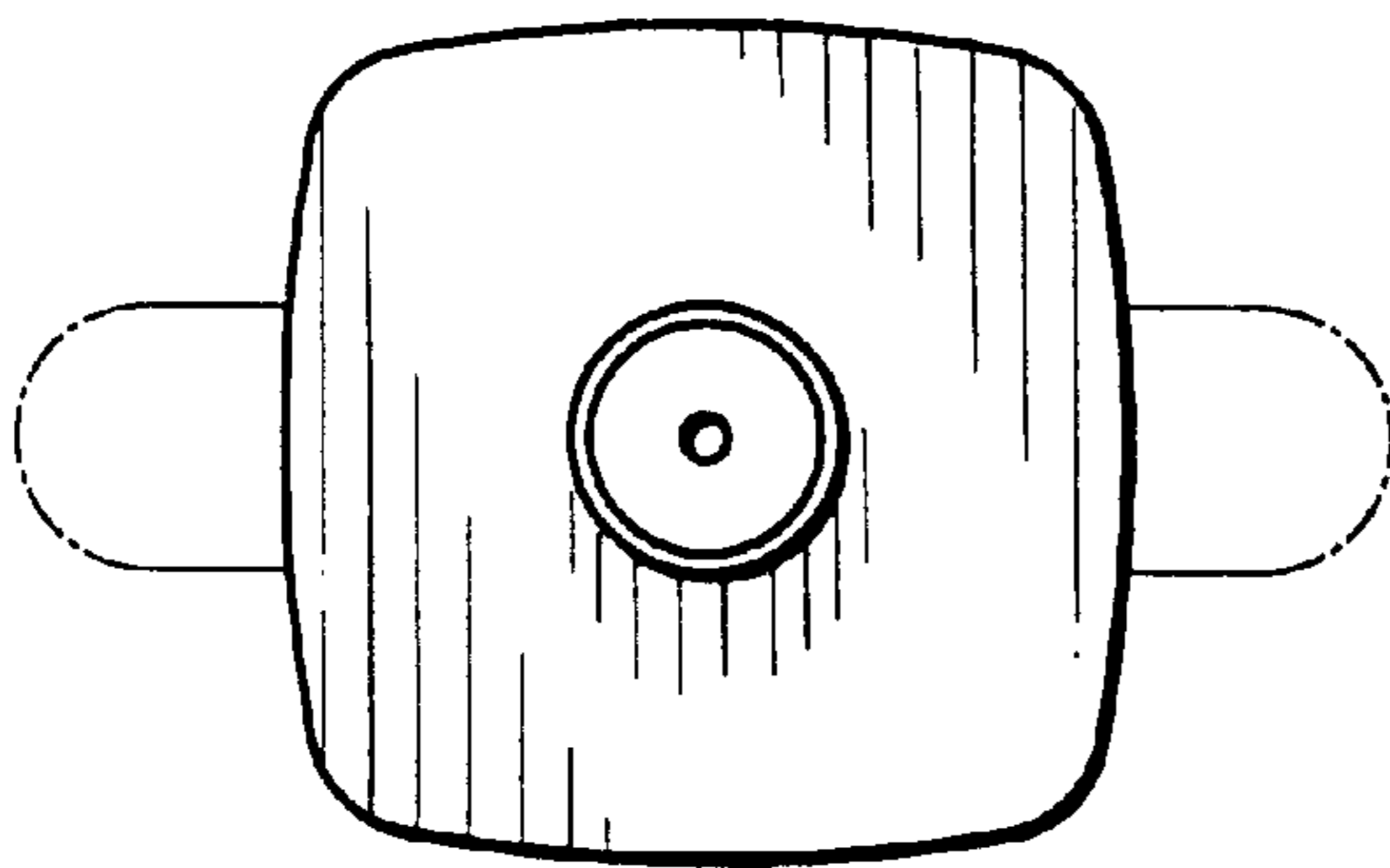
*FIG. 3*



*FIG. 4*



*FIG. 5*



*FIG. 6*

