



US00D430482S

**United States Patent** [19]  
**Stout, Jr.**

[11] **Patent Number: Des. 430,482**

[45] **Date of Patent: \*\* Sep. 5, 2000**

[54] **SLEEVE COUPLING**

[75] Inventor: **William K. Stout, Jr.**, Mason, Ohio

[73] Assignee: **Eastern Sheet Metal, Inc.**, Cincinnati, Ohio

[\*\*] Term: **14 Years**

[21] Appl. No.: **29/105,244**

[22] Filed: **May 20, 1999**

[51] **LOC (7) Cl.** ..... **08-08**

[52] **U.S. Cl.** ..... **D8/382; D23/262**

[58] **Field of Search** ..... **D8/382; 285/334.2, 285/341; D23/262, 260, 264-265**

[56] **References Cited**

**U.S. PATENT DOCUMENTS**

D. 25,709	6/1896	Pratt	.....	D23/262
D. 234,847	4/1975	Hoffman	.....	D23/262
D. 273,702	5/1984	Widerby et al.	.	
D. 360,018	7/1995	Sondén	.....	D23/262
D. 360,019	7/1995	Sondén et al.	.....	D23/262
D. 360,020	7/1995	Sondén et al.	.....	D23/262
D. 360,021	7/1995	Sondén et al.	.....	D23/262
D. 361,829	8/1995	Sondén et al.	.....	D23/262
D. 362,299	9/1995	Sondén et al.	.....	D23/262

(List continued on next page.)

**FOREIGN PATENT DOCUMENTS**

13987	1/1974	Sweden	.
17788	4/1976	Sweden	.
19819	4/1977	Sweden	.
25473	4/1980	Sweden	.
25610	4/1980	Sweden	.
26059	7/1980	Sweden	.
26995	12/1980	Sweden	.

*Primary Examiner*—Holly Baynham

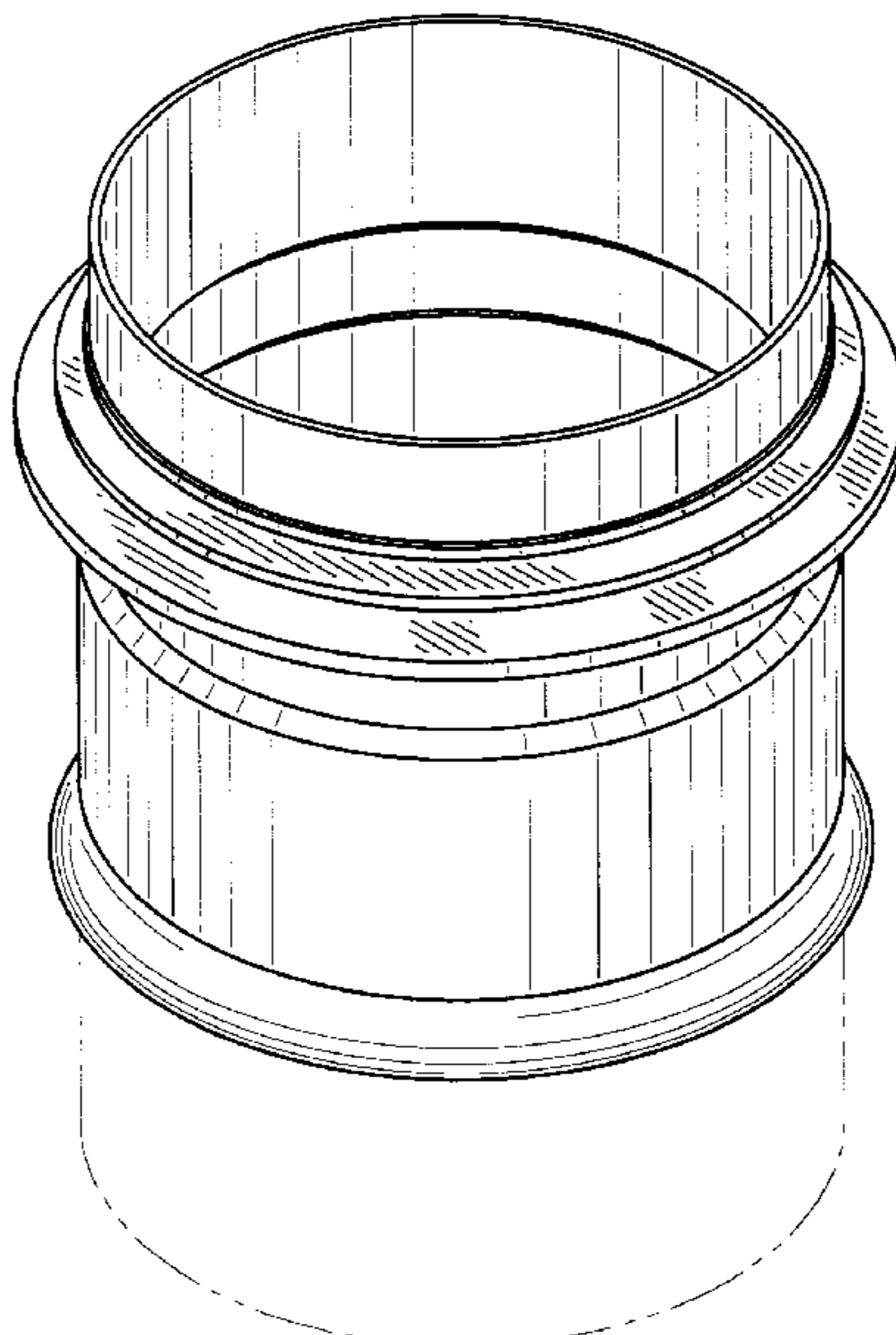
[57] **CLAIM**

I claim the ornamental design for a sleeve coupling, as shown and described herein.

**DESCRIPTION**

FIG. 1 is a front plan view of a first embodiment of the sleeve coupling;  
 FIG. 2 is a front perspective view of the sleeve coupling of FIG. 1;  
 FIG. 3 is a top view of the sleeve coupling of FIG. 1;  
 FIG. 4 is a bottom view of the sleeve coupling of FIG. 1;  
 FIG. 5 is a front plan view of a second embodiment of the sleeve coupling;  
 FIG. 6 is a front perspective view of the sleeve coupling of FIG. 5;  
 FIG. 7 is a top view of the sleeve coupling of FIG. 5;  
 FIG. 8 is a bottom view of the sleeve coupling of FIG. 5;  
 FIG. 9 is a front plan view of a third embodiment of the sleeve coupling;  
 FIG. 10 is a front perspective view of the sleeve coupling of FIG. 9;  
 FIG. 11 is a top view of the sleeve coupling of FIG. 9;  
 FIG. 12 is a bottom view of the sleeve coupling of FIG. 9;  
 FIG. 13 is a front plan view of a fourth embodiment of the sleeve coupling;  
 FIG. 14 is a front perspective view of the sleeve coupling of FIG. 13;  
 FIG. 15 is a top view of the sleeve coupling of FIG. 13;  
 FIG. 16 is a bottom view of the sleeve coupling of FIG. 13;  
 FIG. 17 is a front plan view of a fifth embodiment of the sleeve coupling;  
 FIG. 18 is a front perspective view of the sleeve coupling of FIG. 17;  
 FIG. 19 is a top view of the sleeve coupling of FIG. 17; and,  
 FIG. 20 is a bottom view of the sleeve coupling of FIG. 17.  
 The broken line showing of a sleeve structure is for illustrative purposes only and forms no part of the claimed design.

**1 Claim, 10 Drawing Sheets**



U.S. PATENT DOCUMENTS

D. 362,300	9/1995	Sondén et al. ....	D23/262	1,565,918	12/1925	Fitzgerald .	
D. 363,115	10/1995	Lennartsson .....	D23/262	1,570,974	1/1926	Stevens .	
D. 367,316	2/1996	Sondén et al. ....	D23/262	2,544,108	3/1951	Richardson .....	285/3
D. 368,304	3/1996	Morrison .....	D23/262	2,930,635	3/1960	Woodling .....	285/341
D. 377,829	2/1997	Anderson .....	D23/262	3,955,834	5/1976	Ahlrot .	
D. 383,053	9/1997	Schrader .....	D8/382	4,007,941	2/1977	Stancati .	
D. 383,195	9/1997	Sonden .....	D23/262	4,050,703	9/1977	Tuvelsson et al. .	
D. 383,196	9/1997	Sondén et al. ....	D23/262	5,405,174	4/1995	Sondén et al. .	
D. 386,246	11/1997	Sondén et al. ....	D23/262	5,531,460	7/1996	Stefansson et al. .	
D. 402,354	12/1998	Strong et al. .		5,599,600	2/1997	Rau .	
D. 407,802	4/1999	Hatfield et al. ....	D23/262	5,649,662	7/1997	Krichau et al. .	

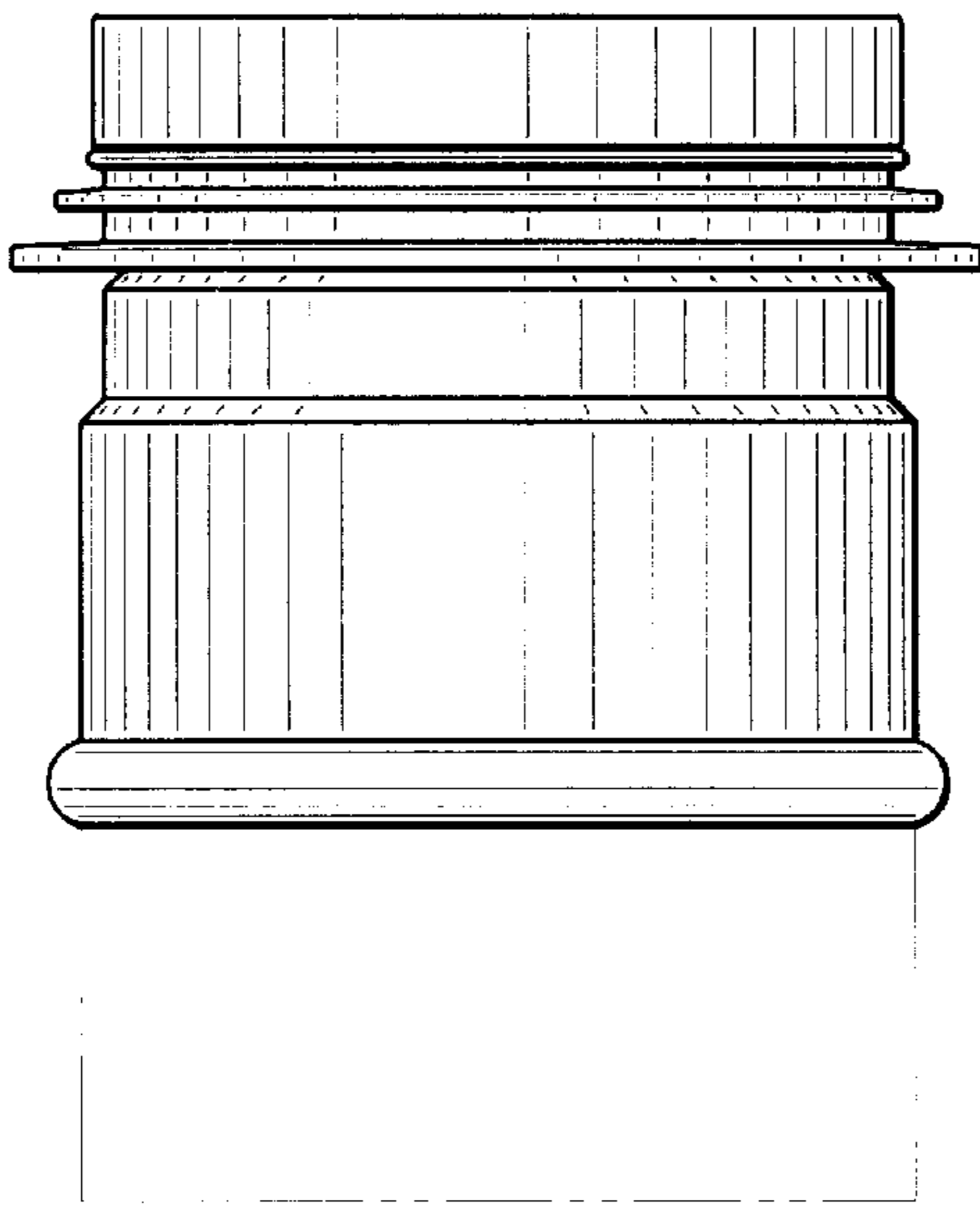


FIG. 1

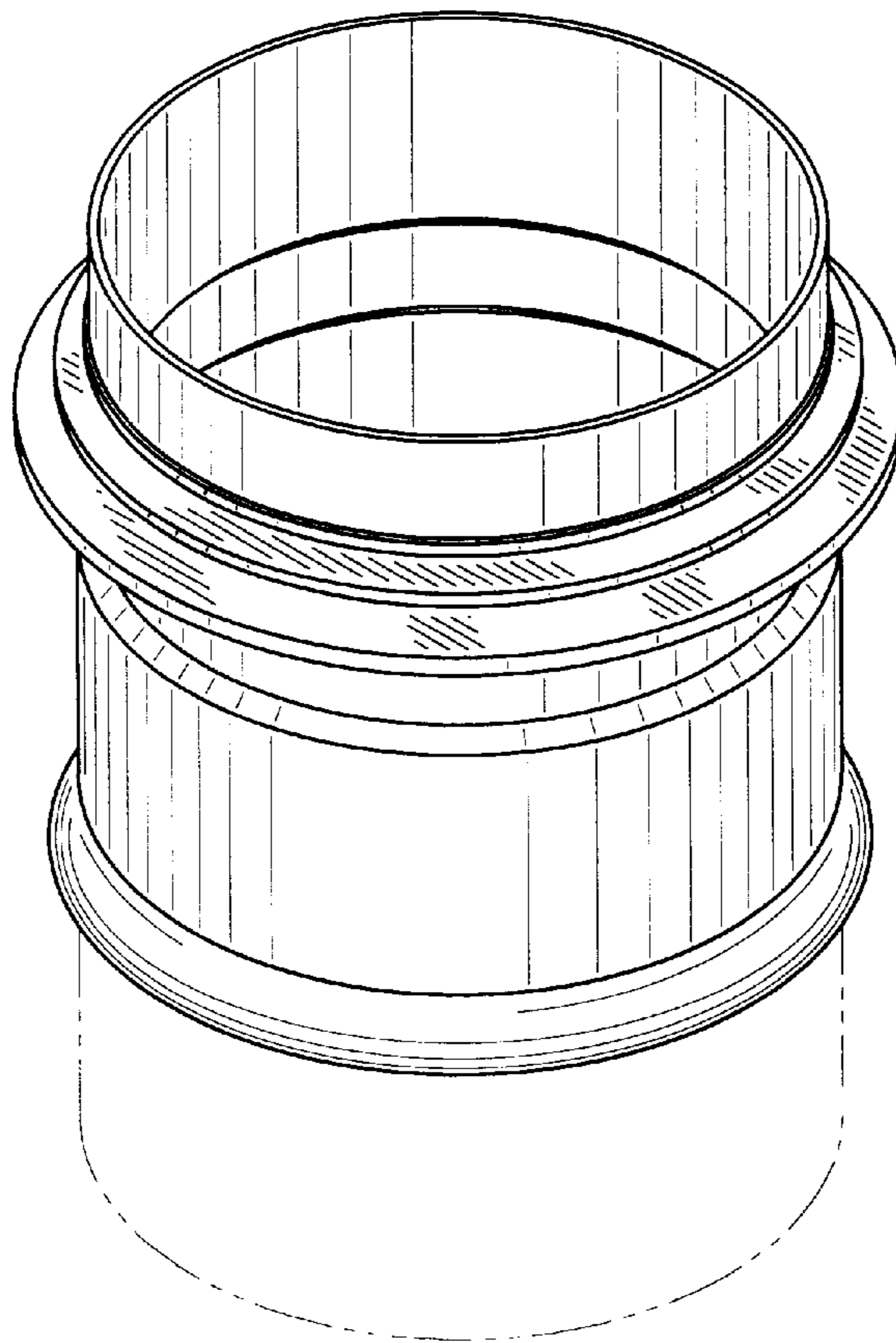


FIG. 2

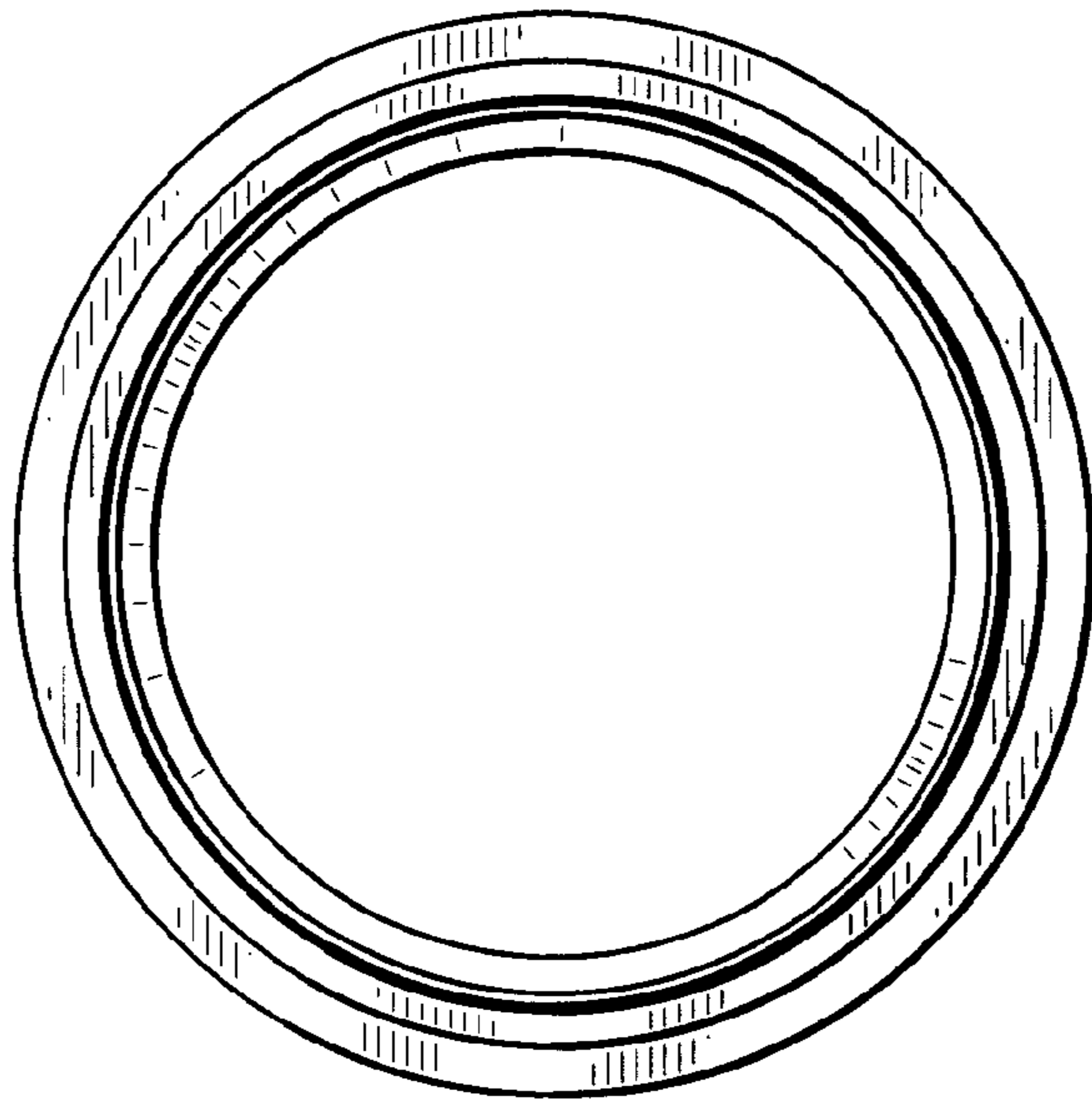


FIG. 3

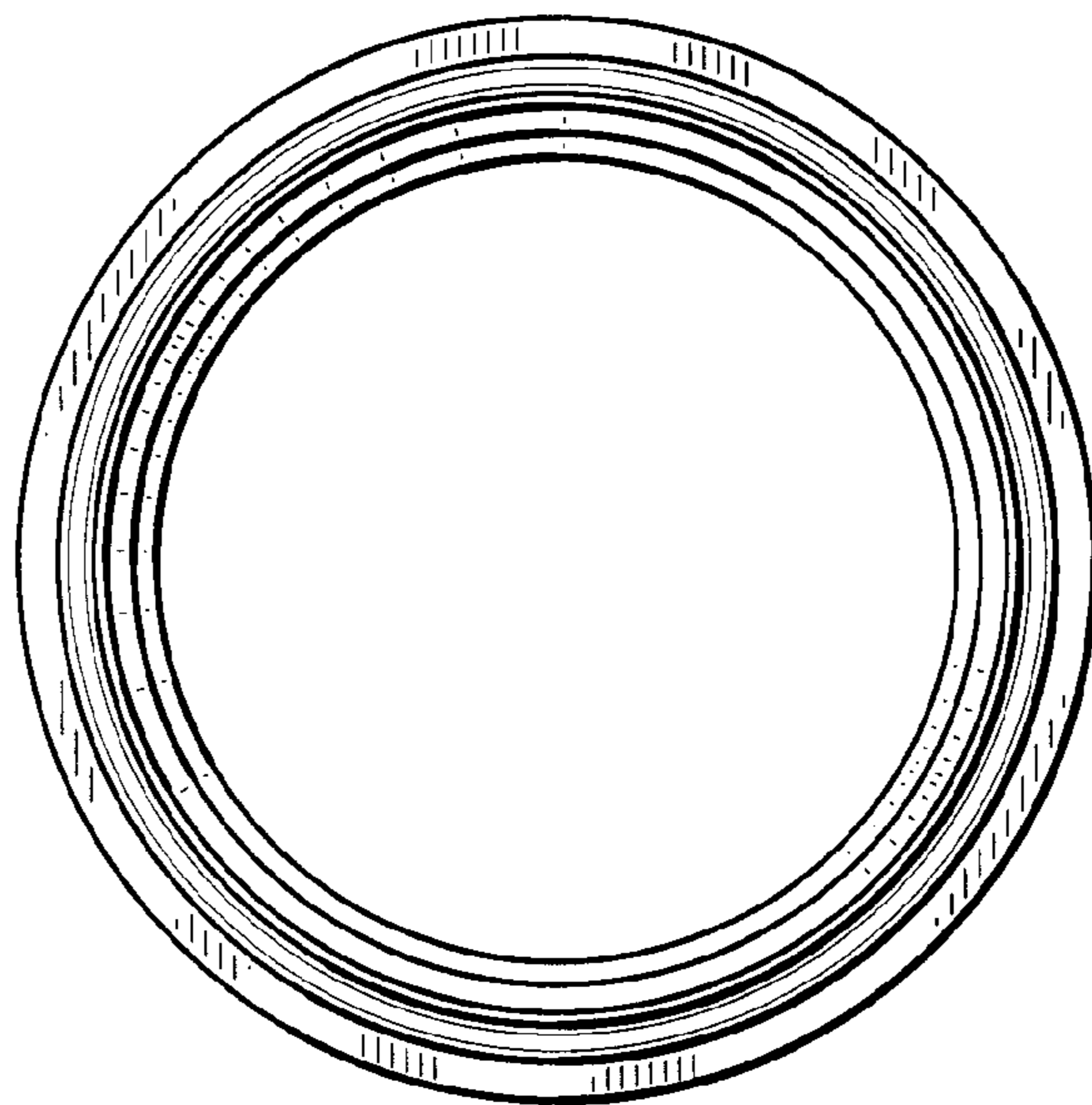


FIG. 4

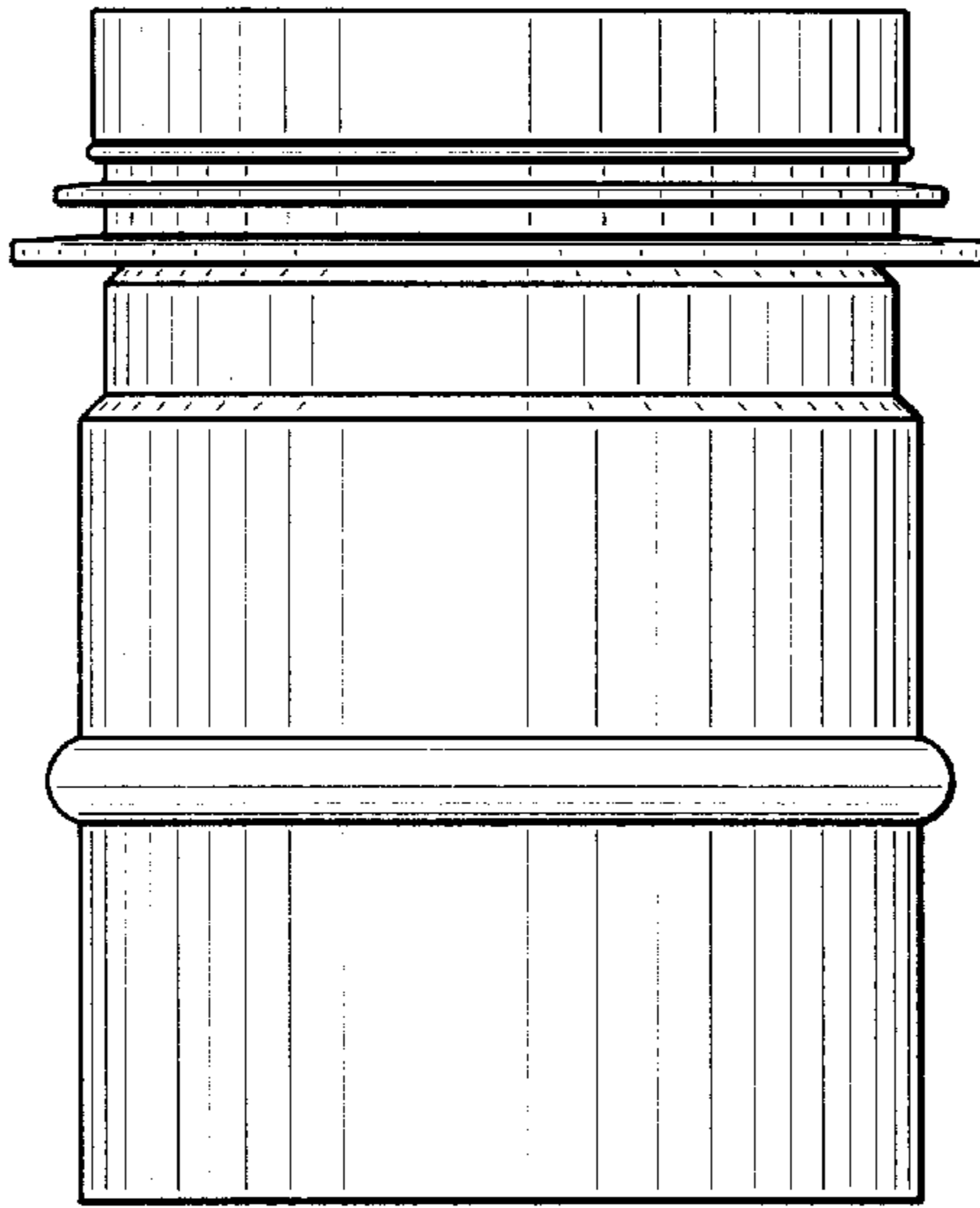


FIG. 5

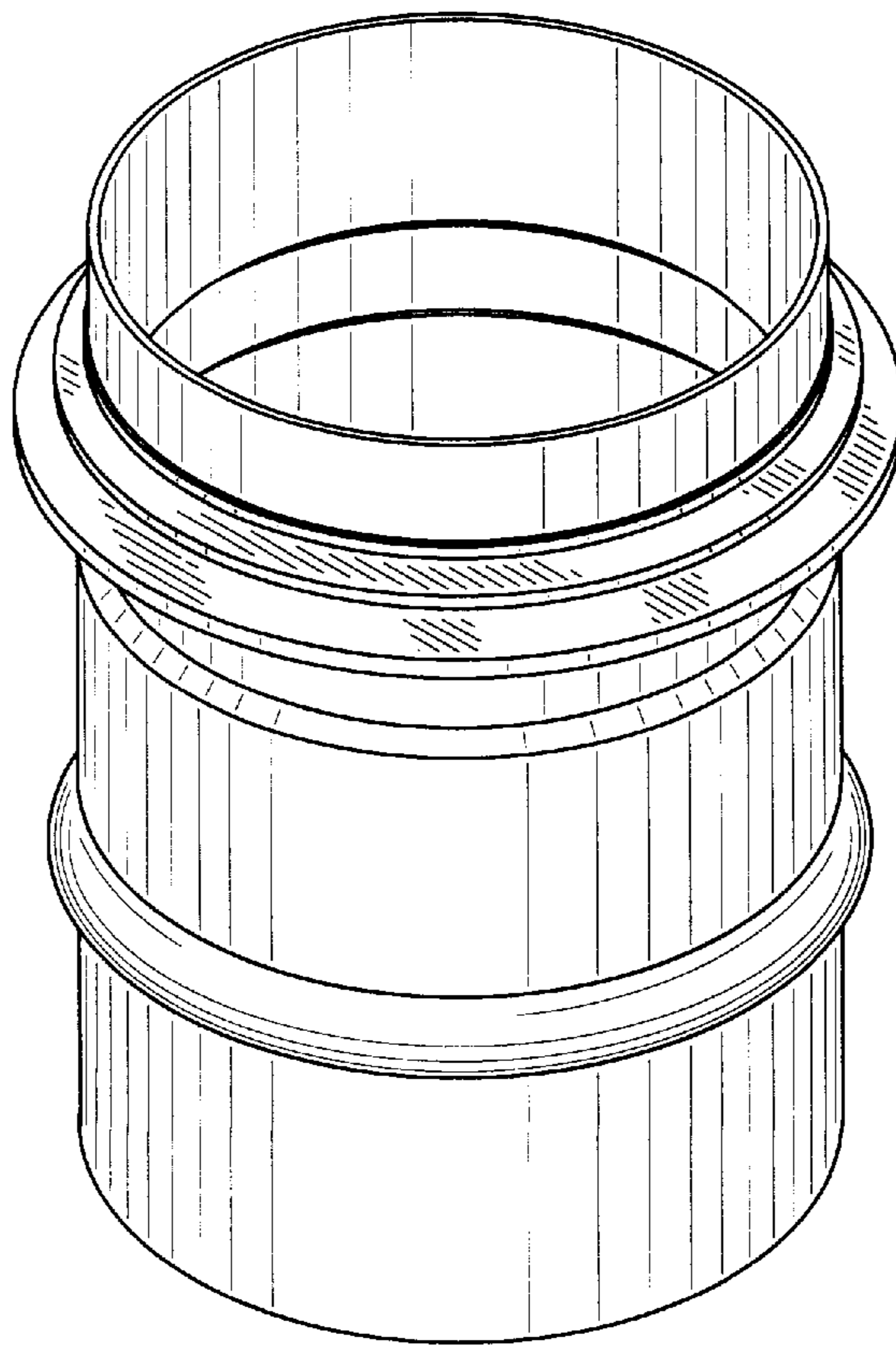


FIG. 6

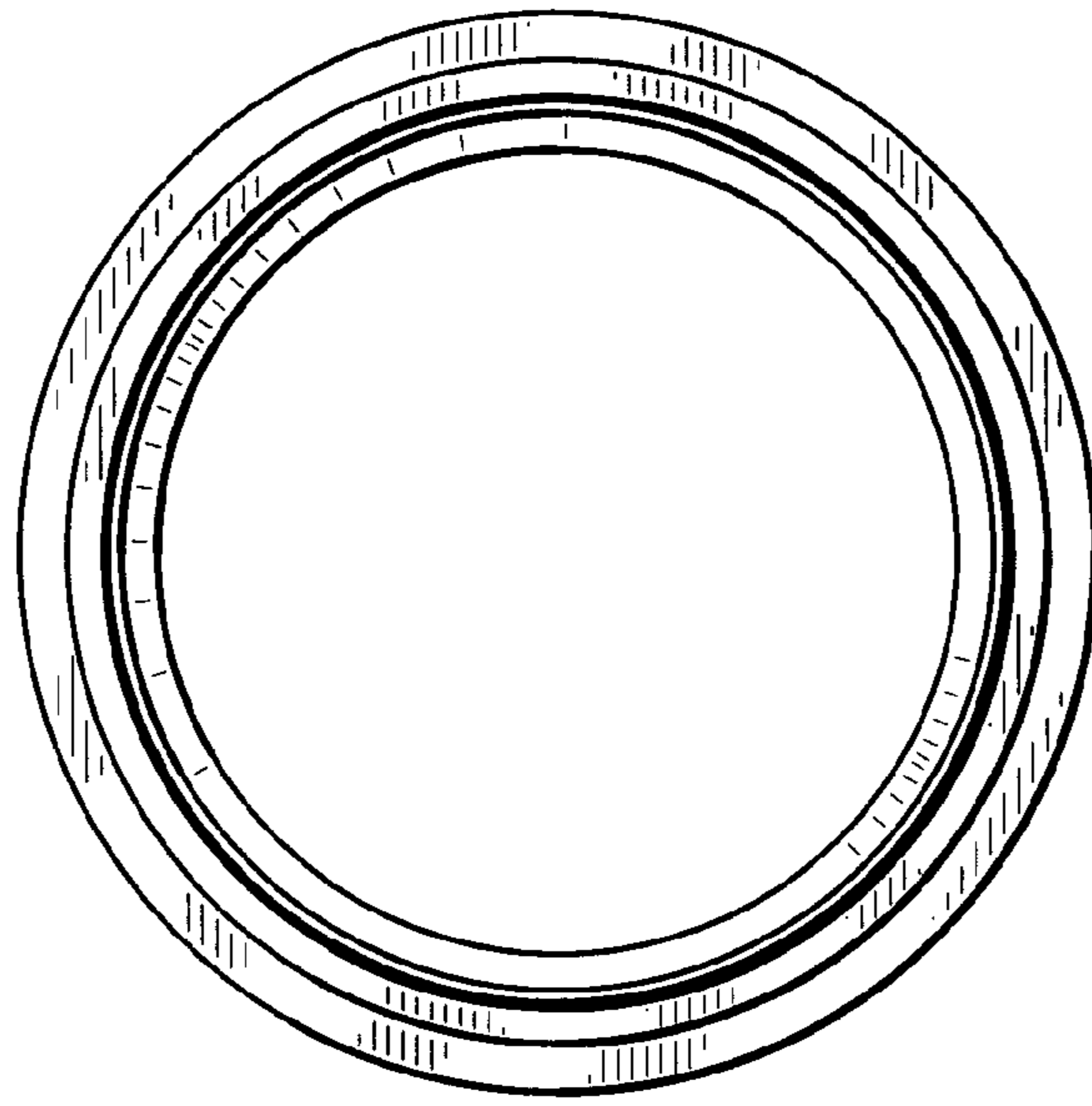


FIG. 7

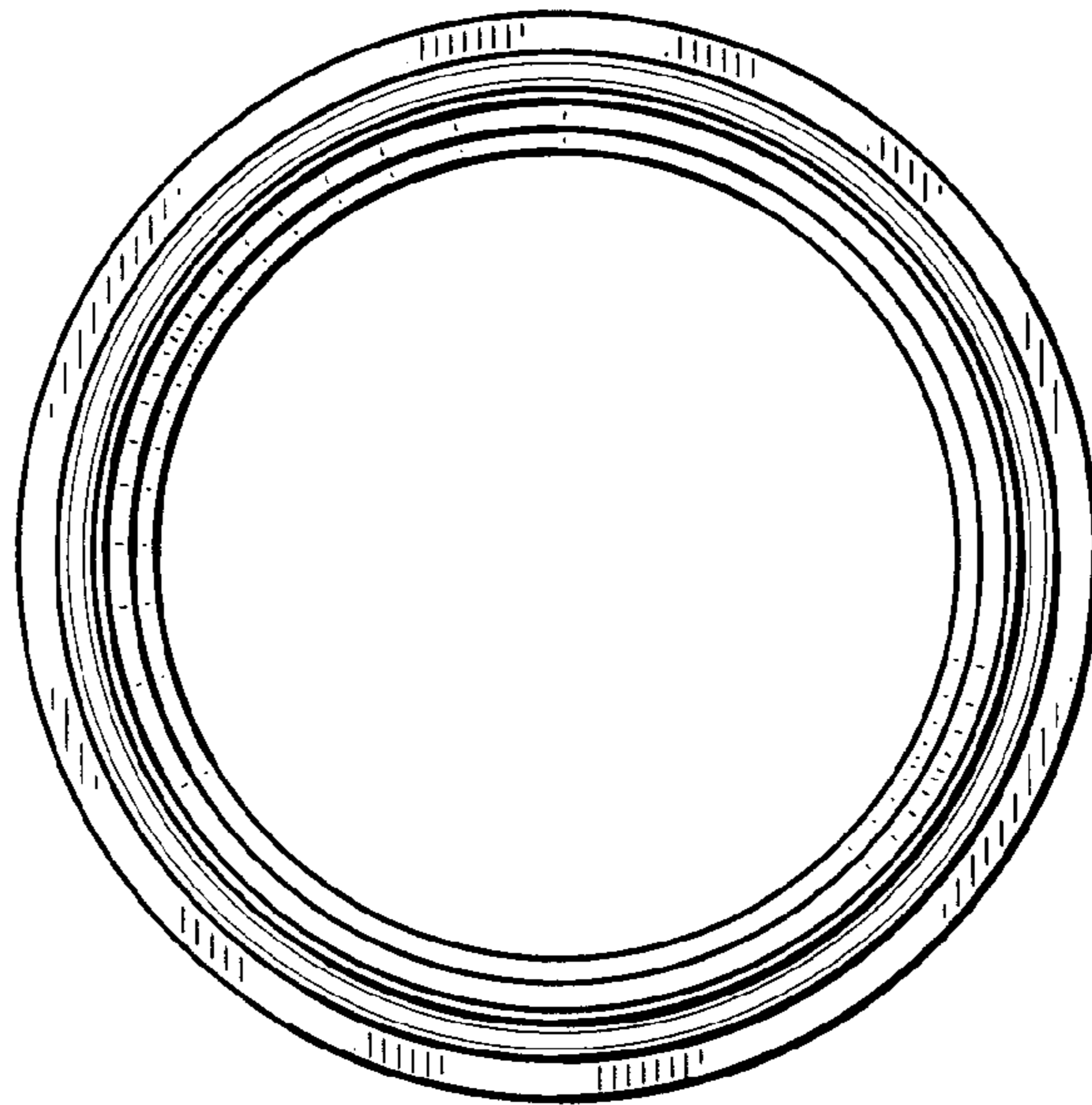


FIG. 8

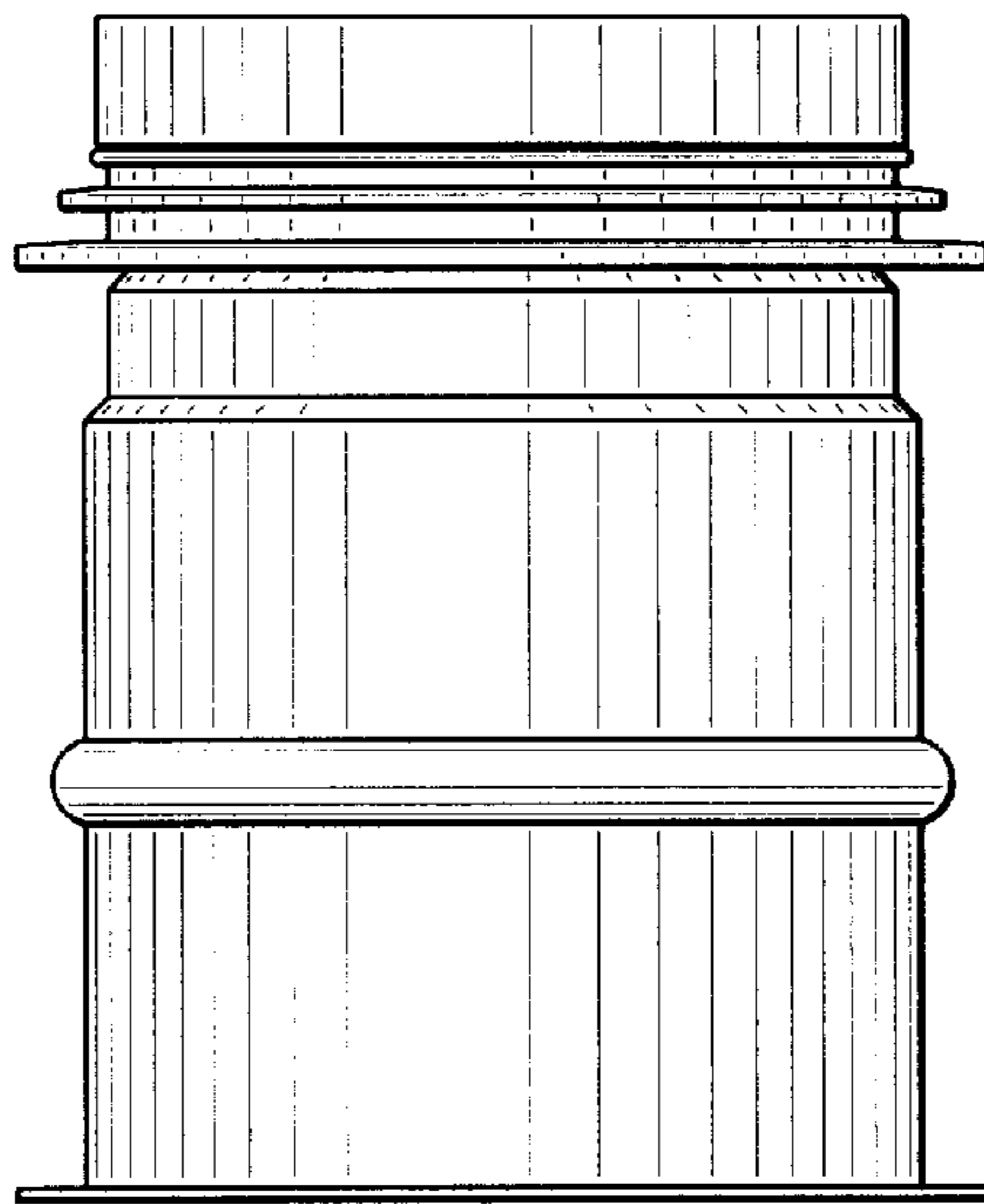


FIG. 9

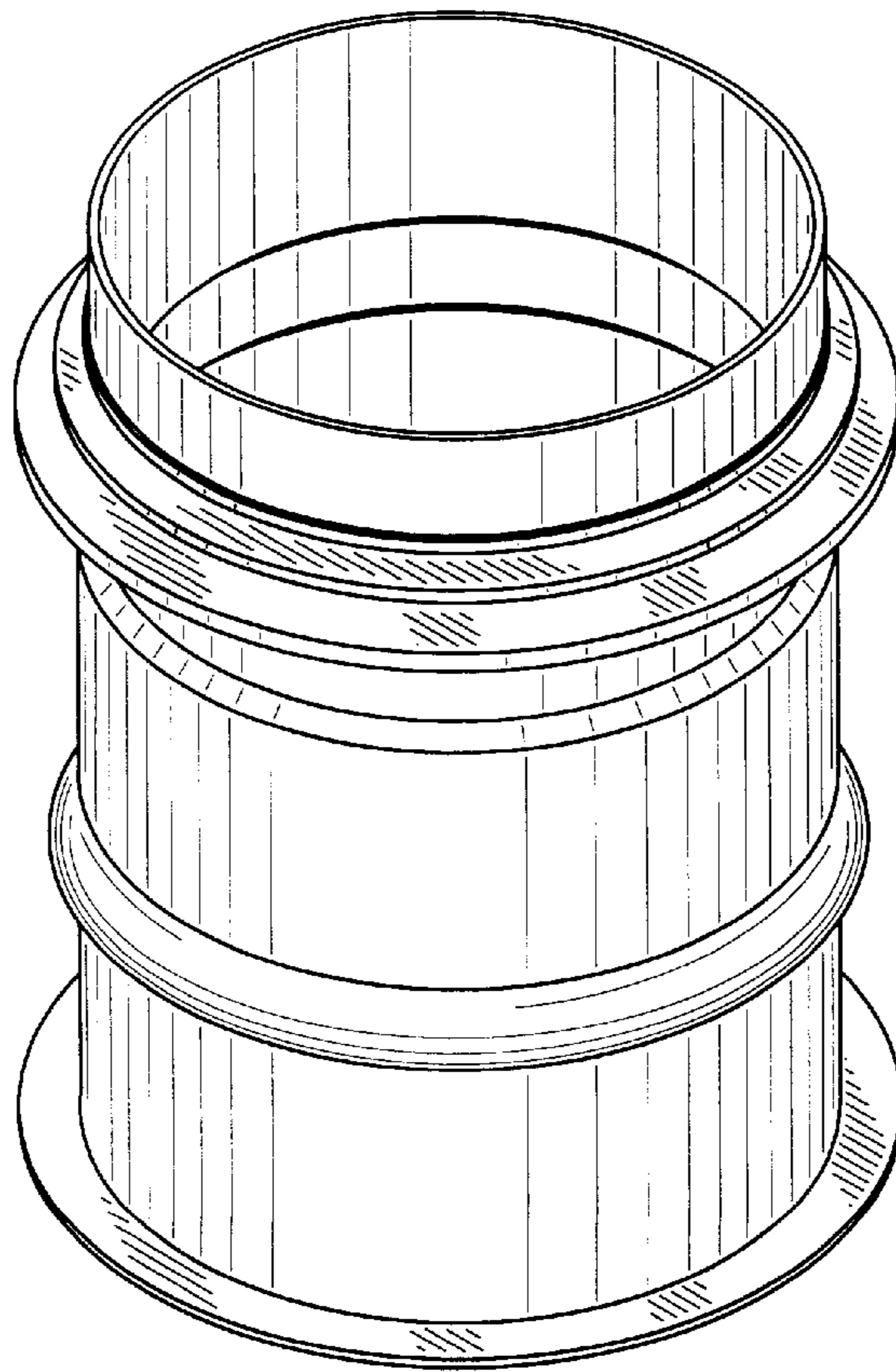


FIG. 10

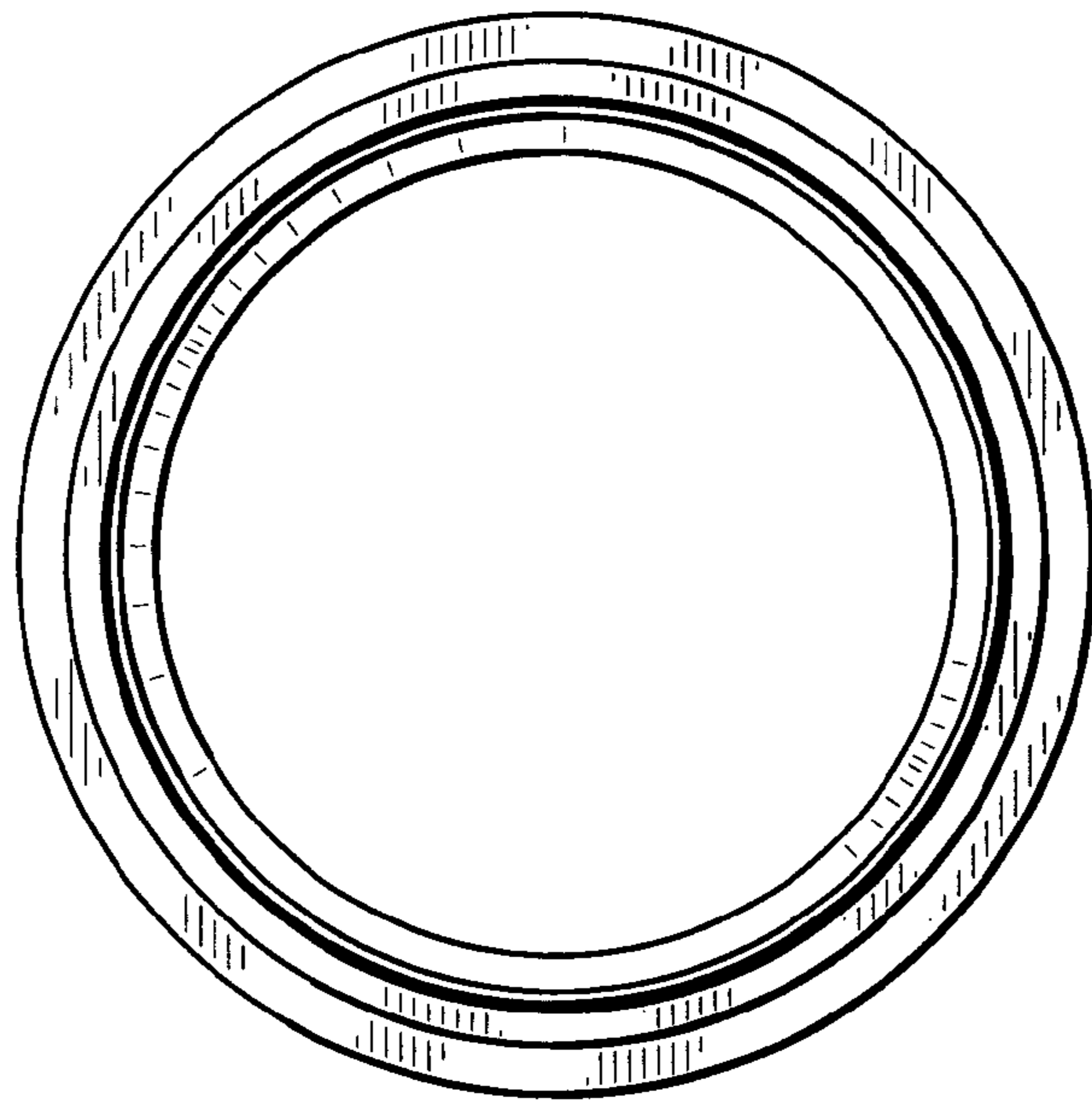


FIG. 11

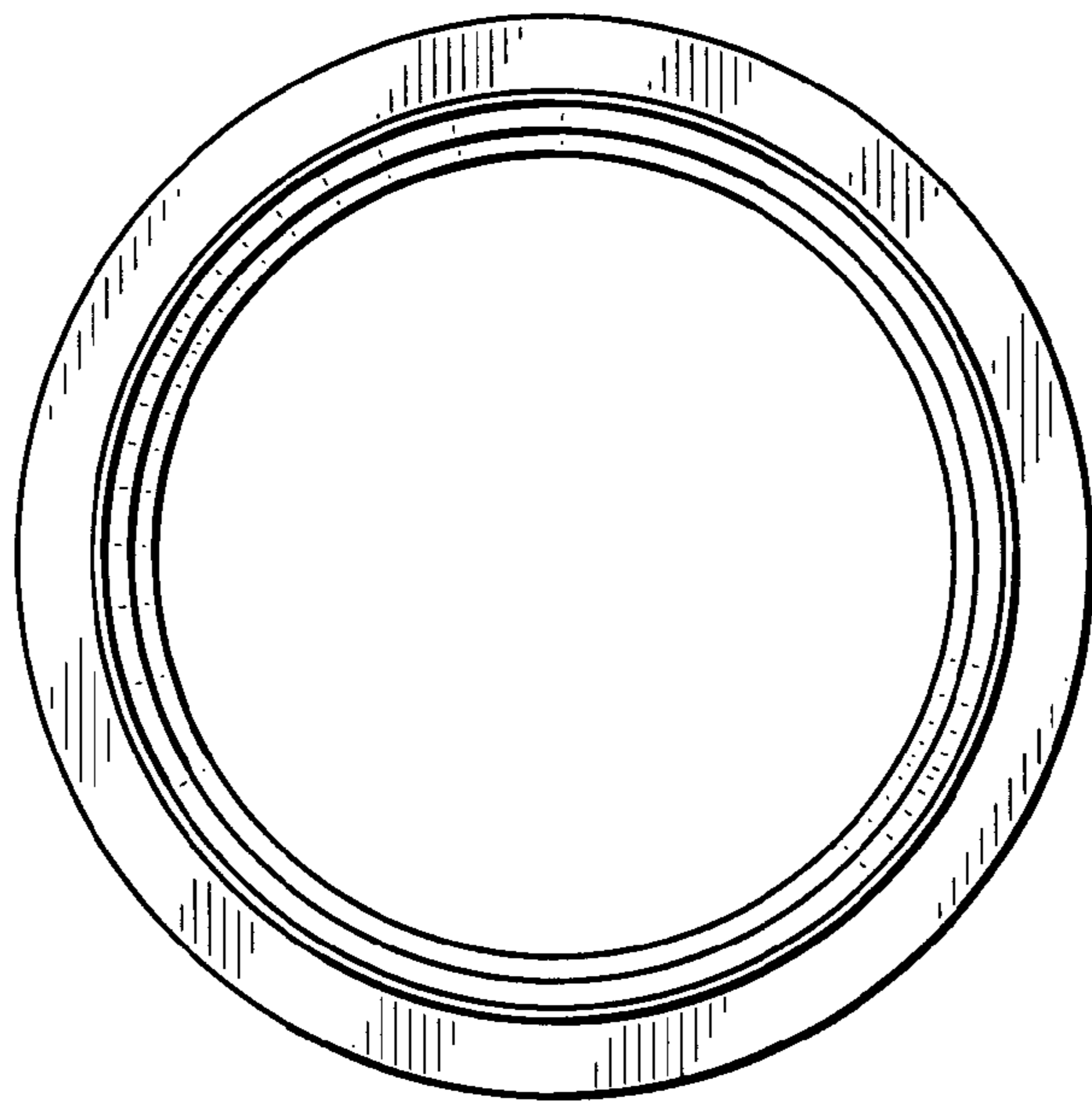


FIG. 12



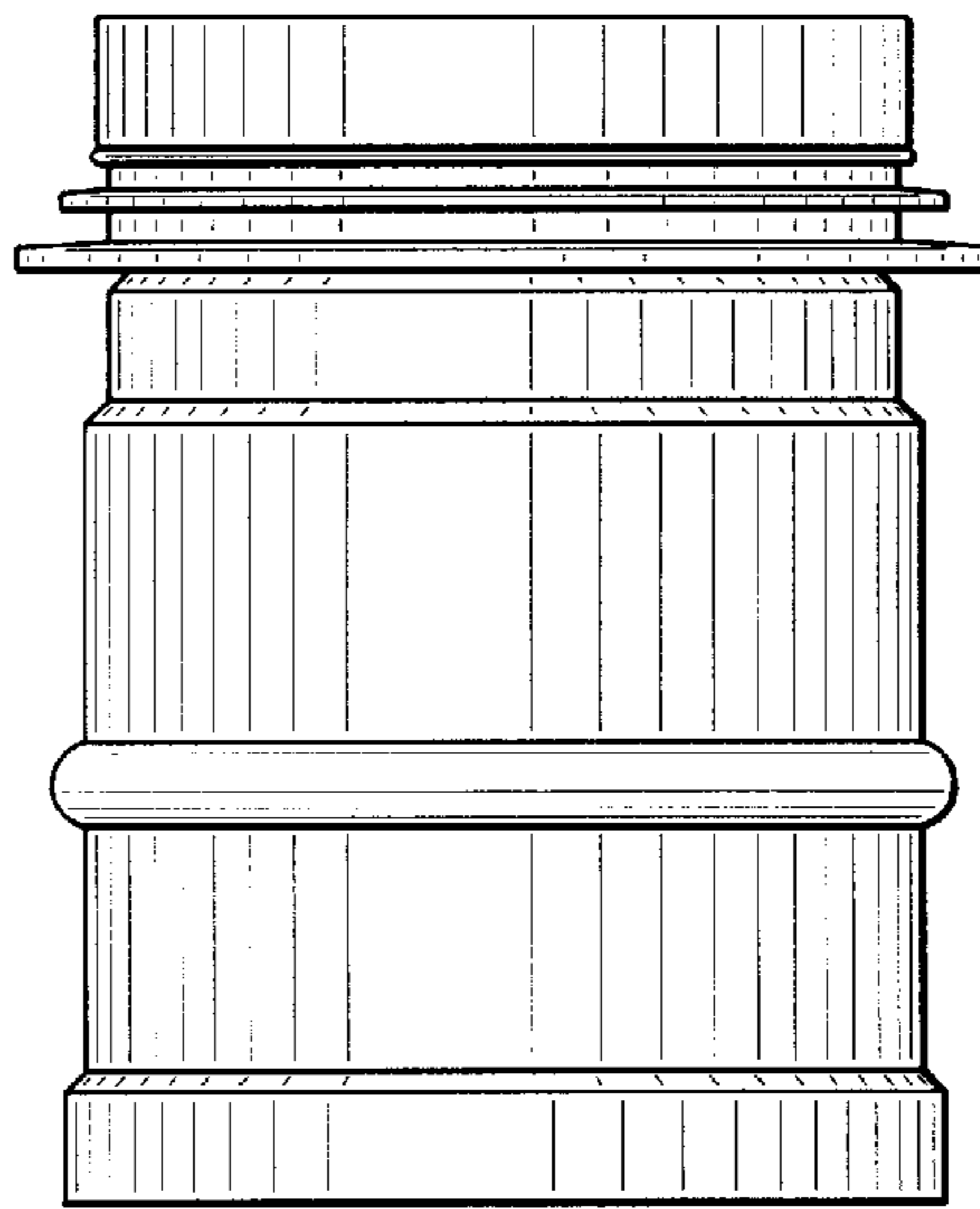


FIG. 13

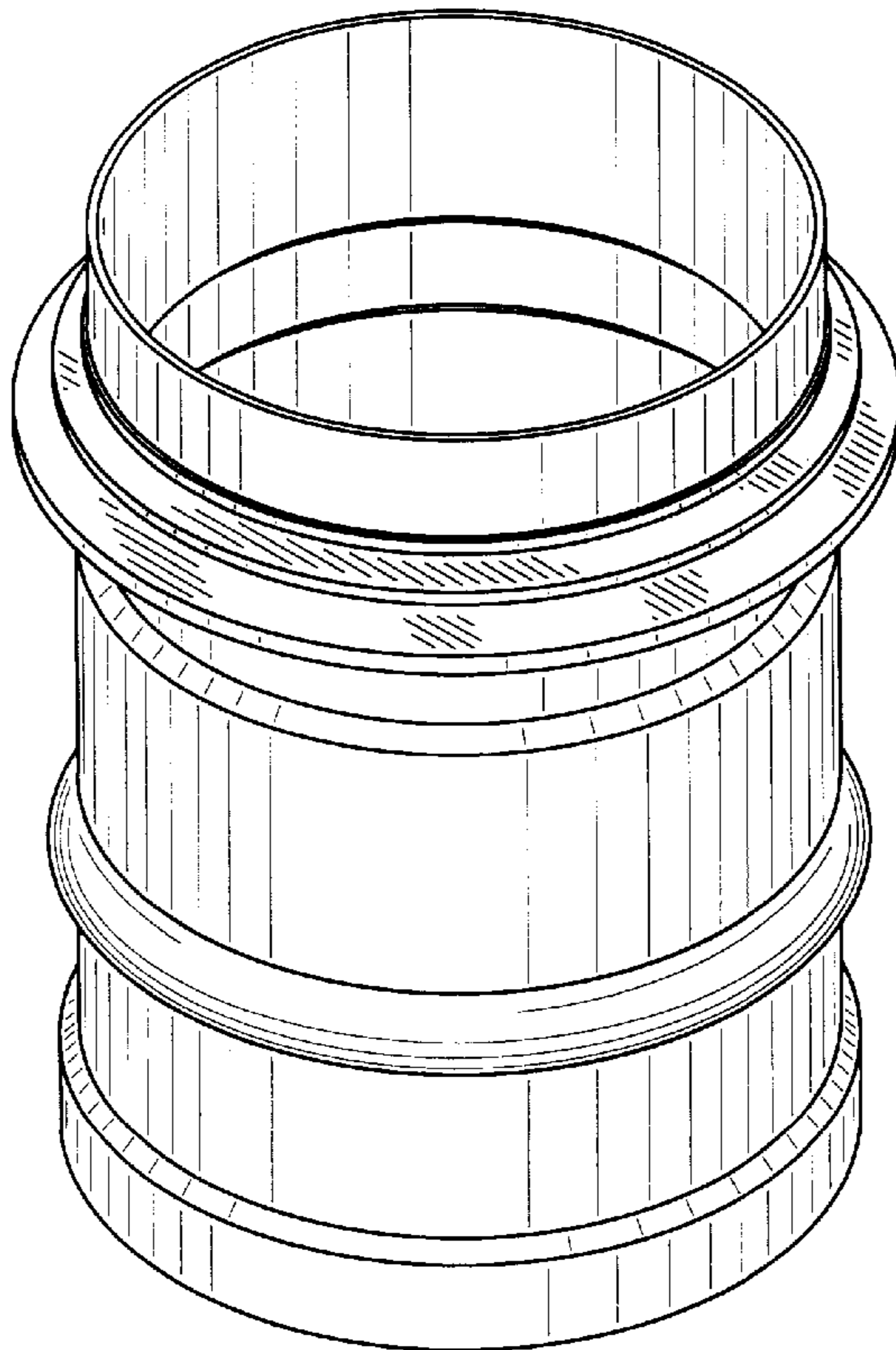


FIG. 14

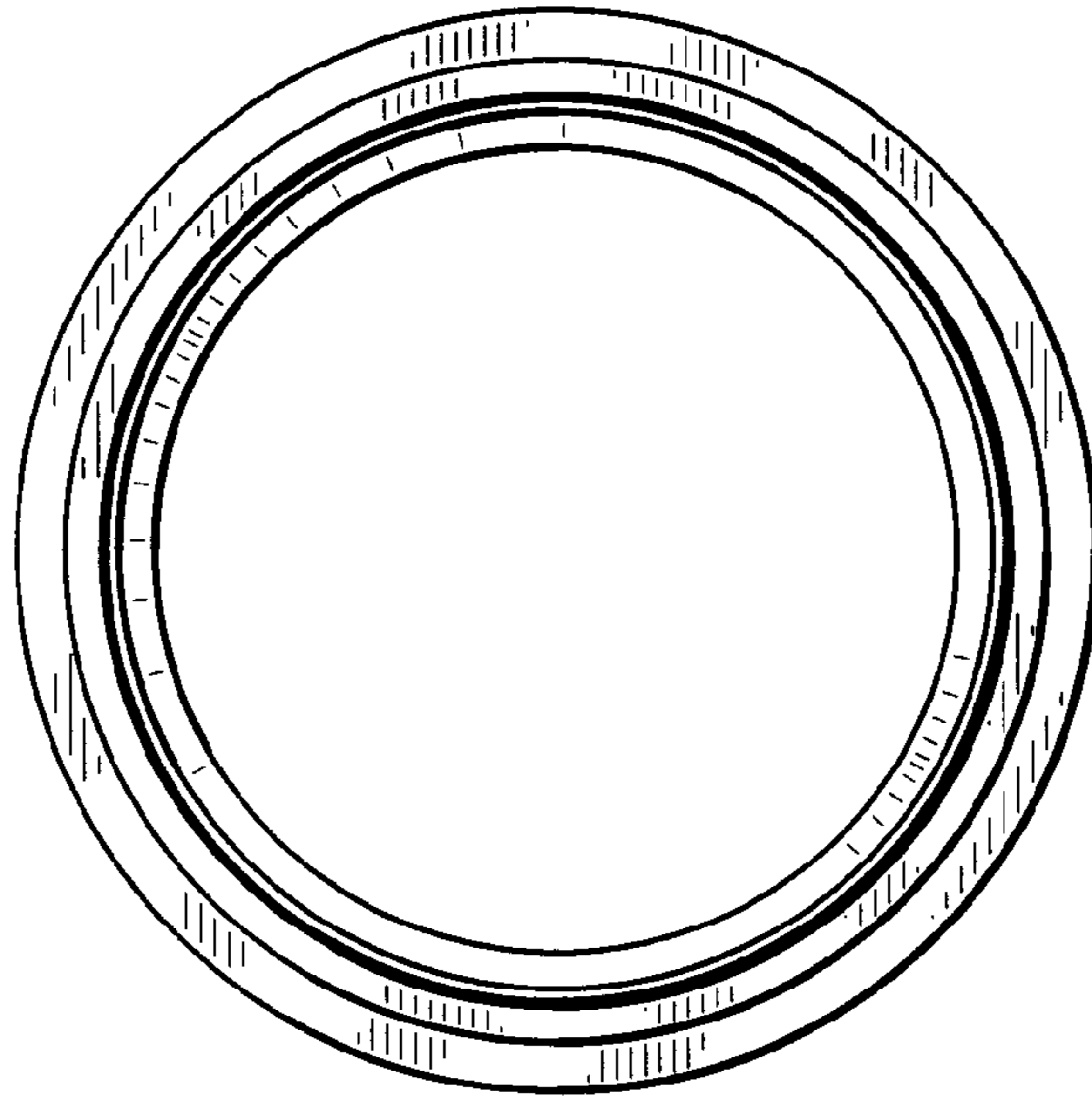


FIG. 15

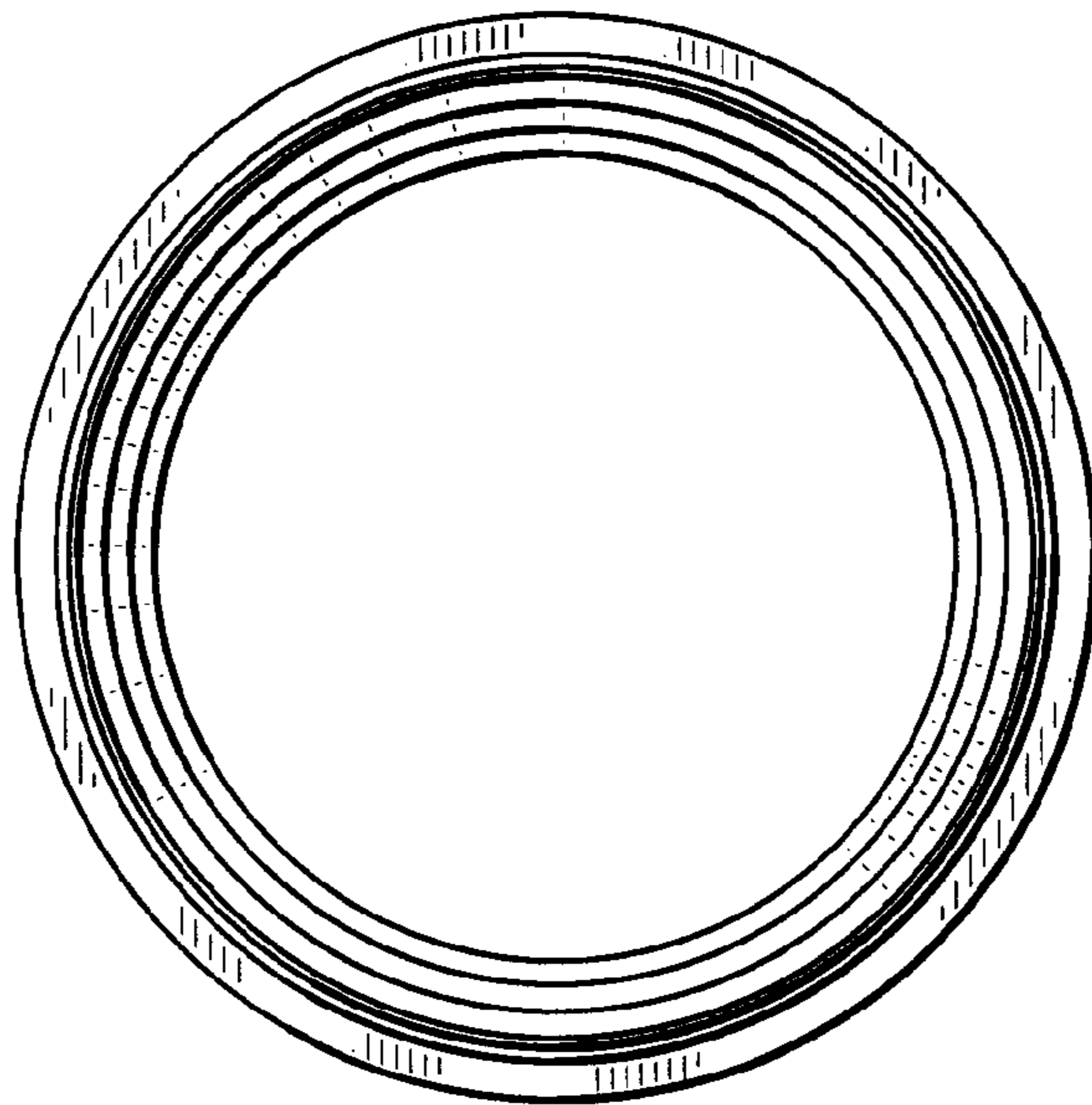


FIG. 16

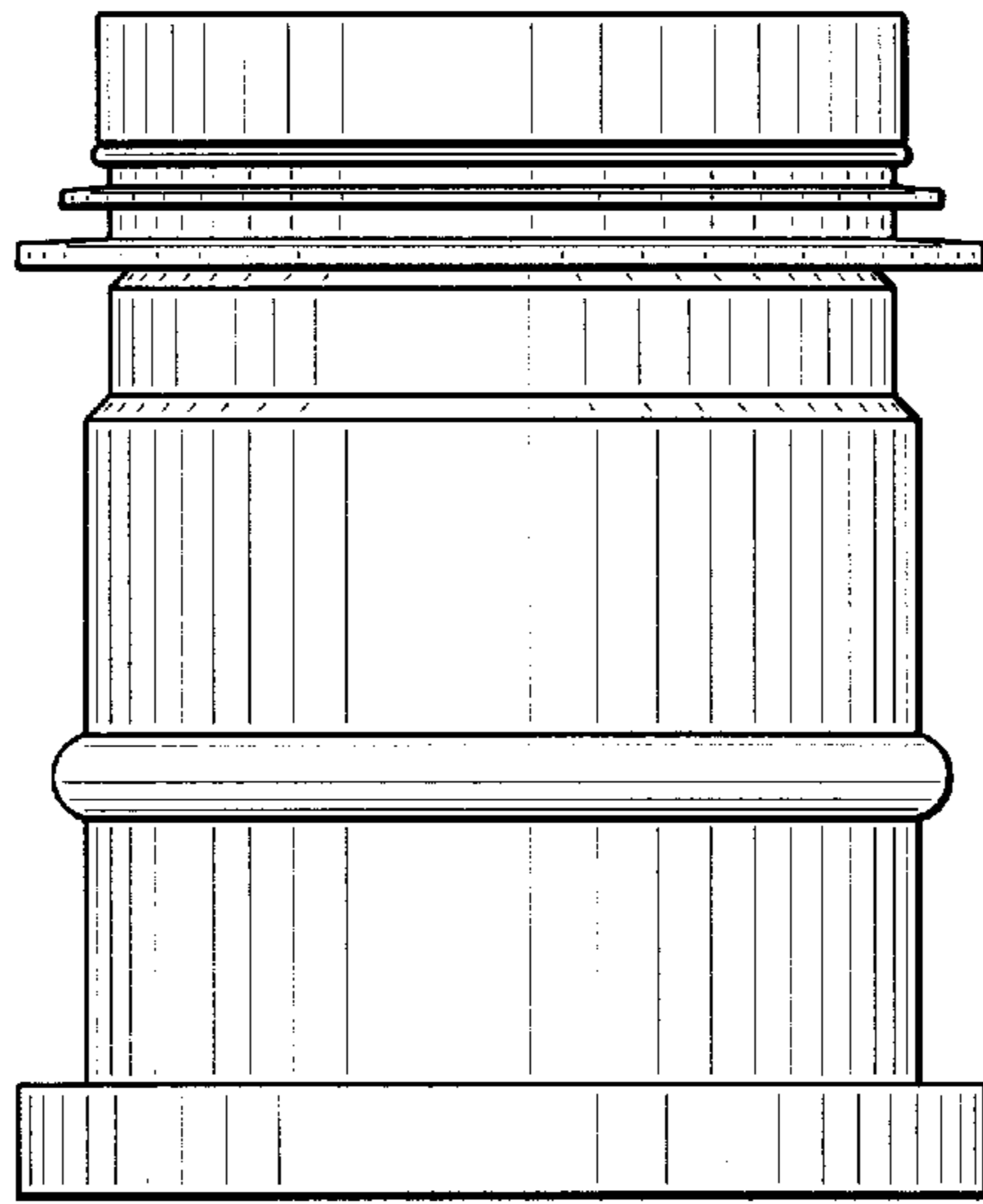


FIG. 17

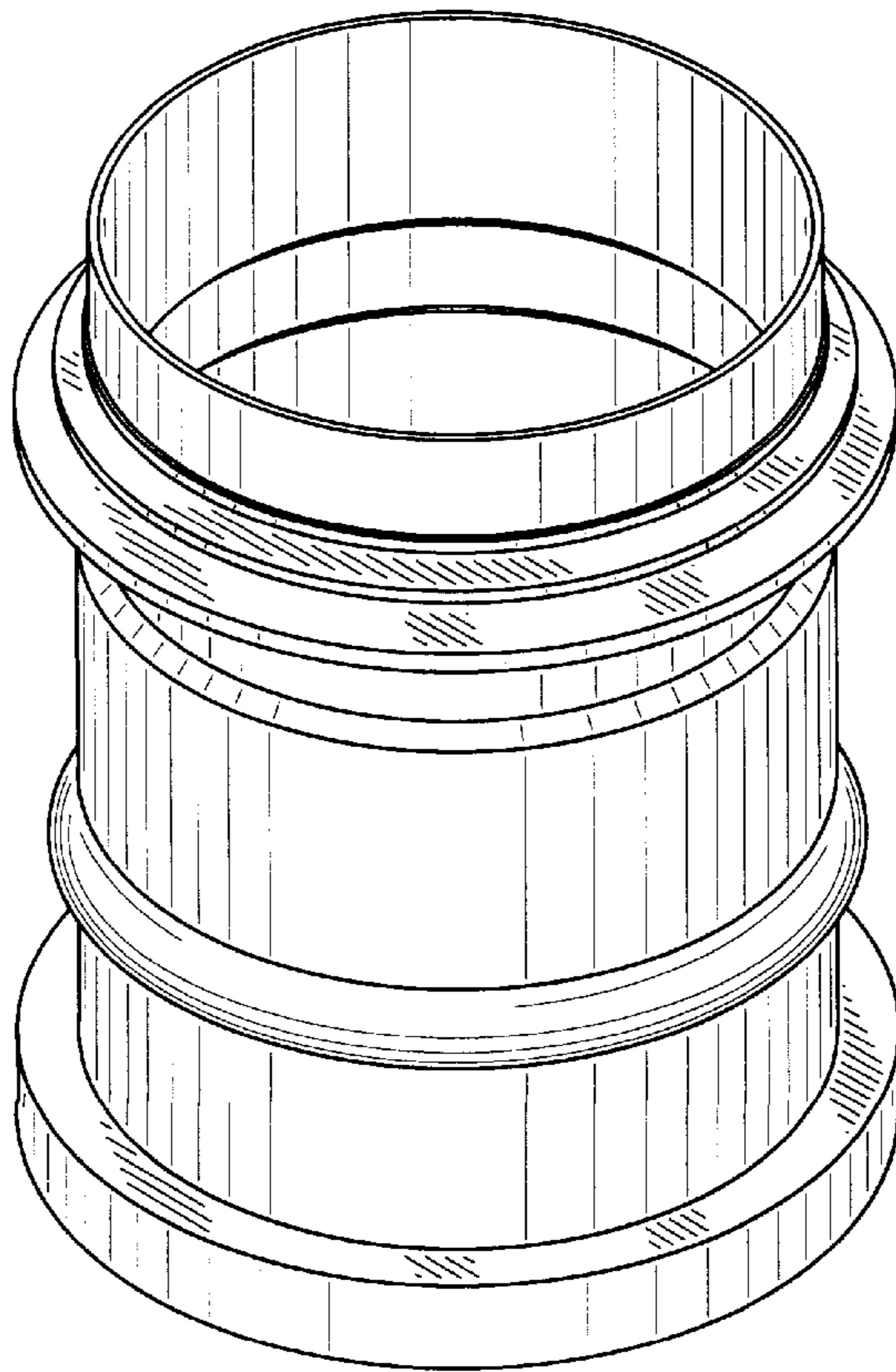


FIG. 18

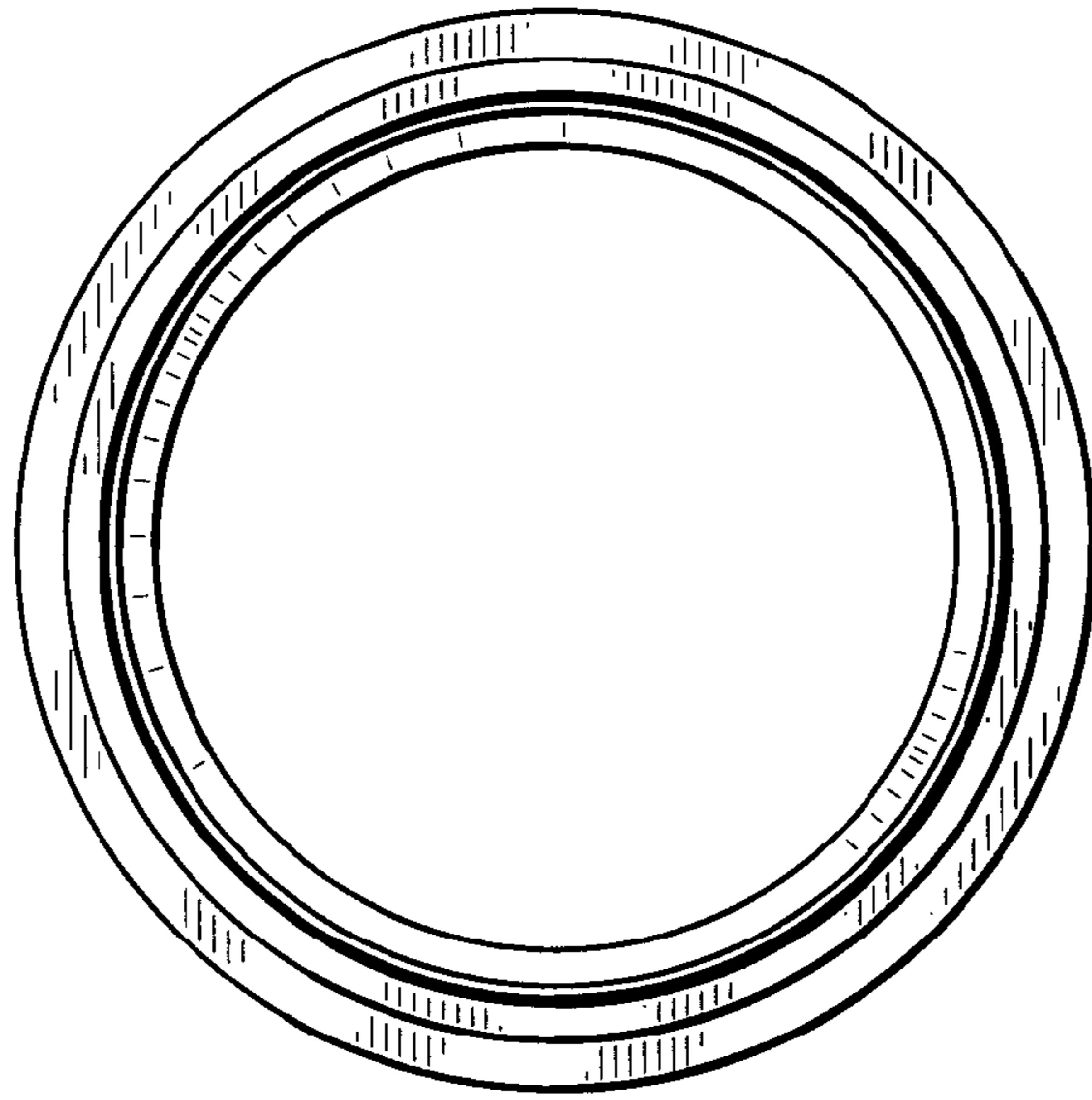


FIG. 19

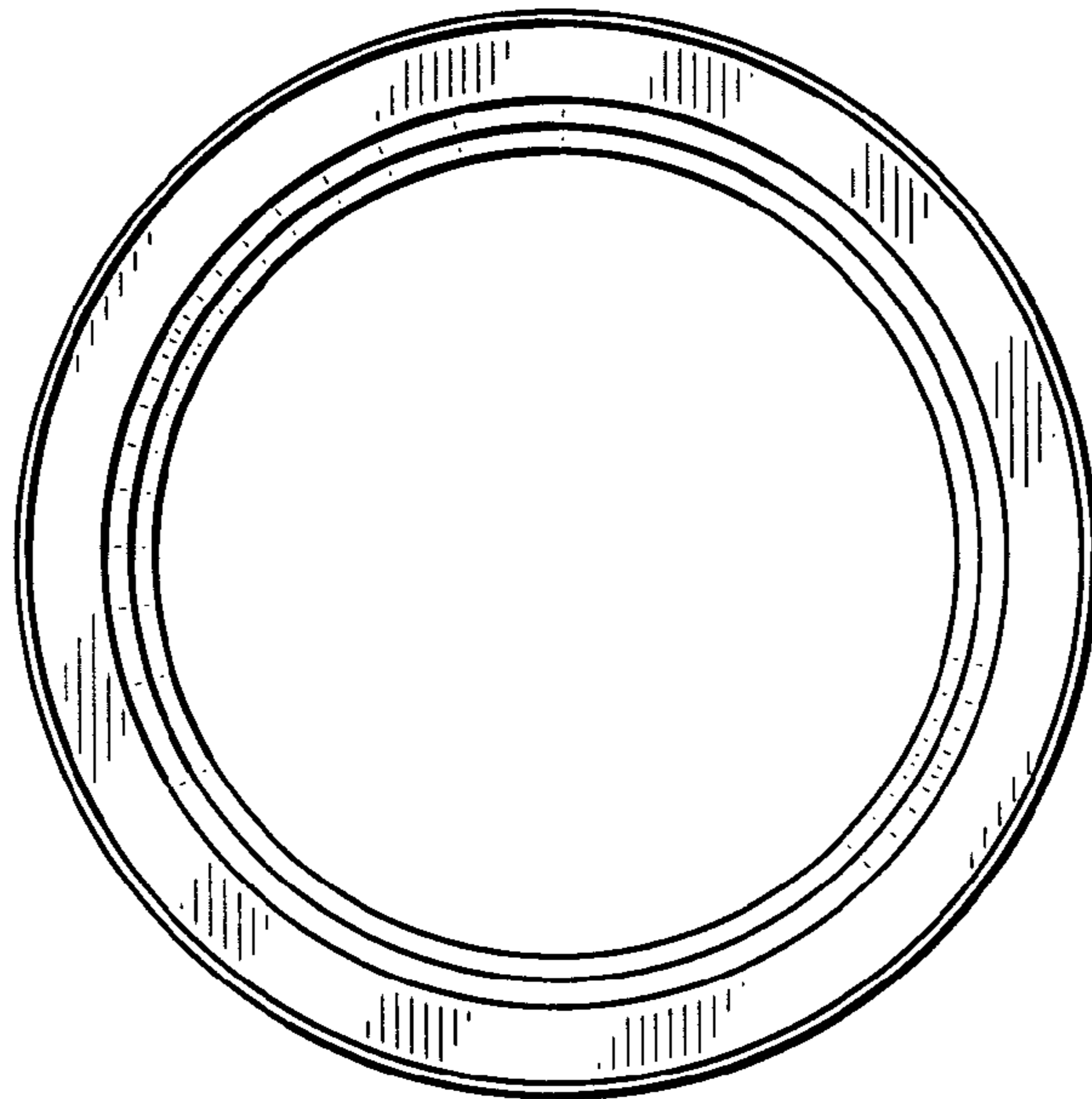


FIG. 20