



US00D430479S

United States Patent [19]
McDonald

[11] **Patent Number: Des. 430,479**

[45] **Date of Patent: ** Sep. 5, 2000**

[54] **BRACKET**

[75] **Inventor: Roderick Raymond McDonald**, New South Wales, Australia

[73] **Assignee: Unistrut Australia Pty Limited**, Mount Druitt, Australia

[**] **Term: 14 Years**

[21] **Appl. No.: 29/117,274**

[22] **Filed: Jan. 21, 2000**

Related U.S. Application Data

[62] Division of application No. 29/097,904, Nov. 17, 1998.

Foreign Application Priority Data

May 18, 1998 [AU] Australia 1432/98

[51] **LOC (7) Cl. 08-05**

[52] **U.S. Cl. D8/354**

[58] **Field of Search D8/349, 354, 373; 248/300, 200**

[56] **References Cited**

U.S. PATENT DOCUMENTS

D. 314,326	2/1991	Sachs	D8/373
D. 369,957	5/1996	Blanton	D8/373
4,467,486	8/1984	Schatz	248/300 X
5,570,880	11/1996	Nordgran	248/300 X

Primary Examiner—Holly Baynham
Attorney, Agent, or Firm—Birch, Stewart, Kolasch & Birch, LLP

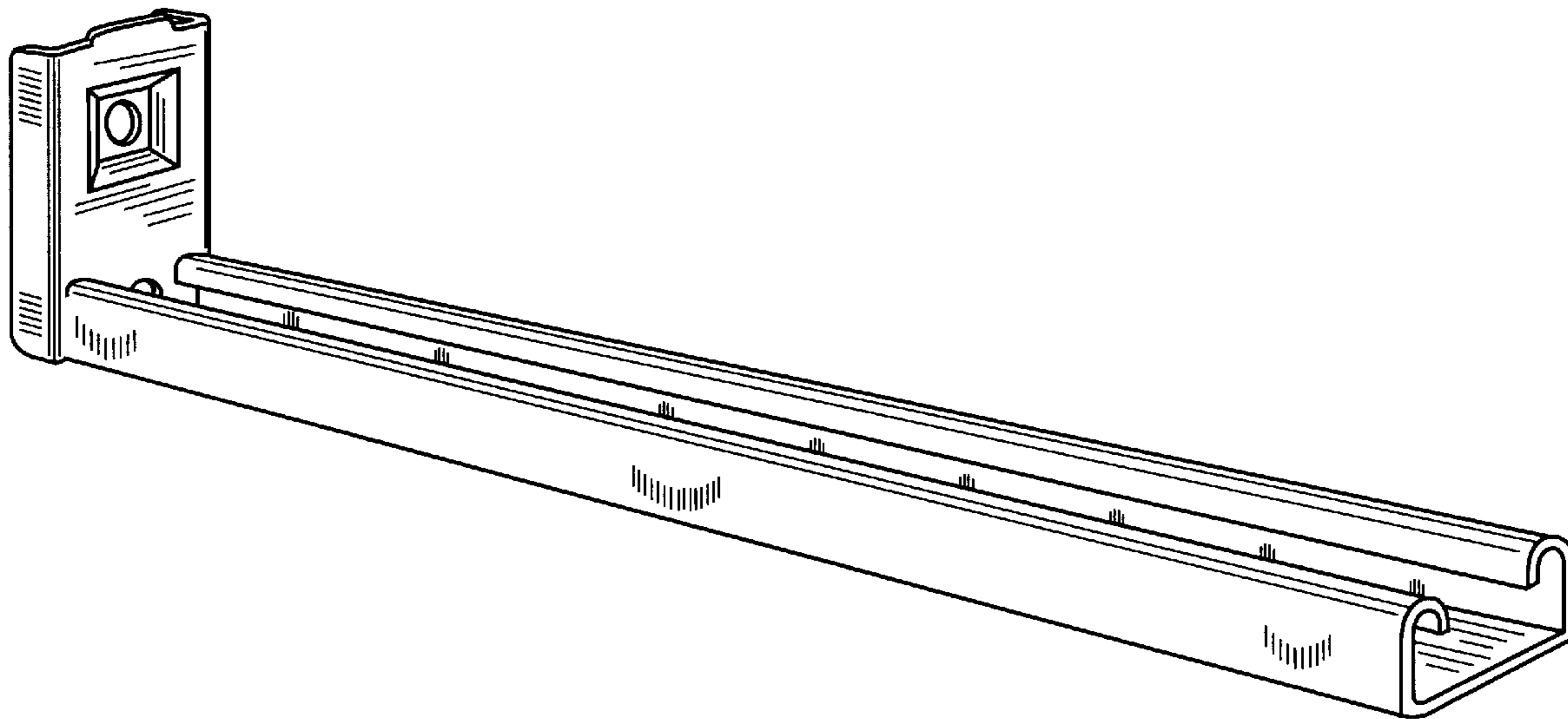
[57] **CLAIM**

The ornamental design for a bracket, as shown.

DESCRIPTION

FIG. 1 is a perspective view thereof;
FIG. 2 is a plan view thereof;
FIG. 3 is a front view thereof;
FIG. 4 is a rear view thereof;
FIG. 5 is a left side view with the right side being a mirror image thereof; and,
FIG. 6 is an inverted plan view thereof.

1 Claim, 2 Drawing Sheets



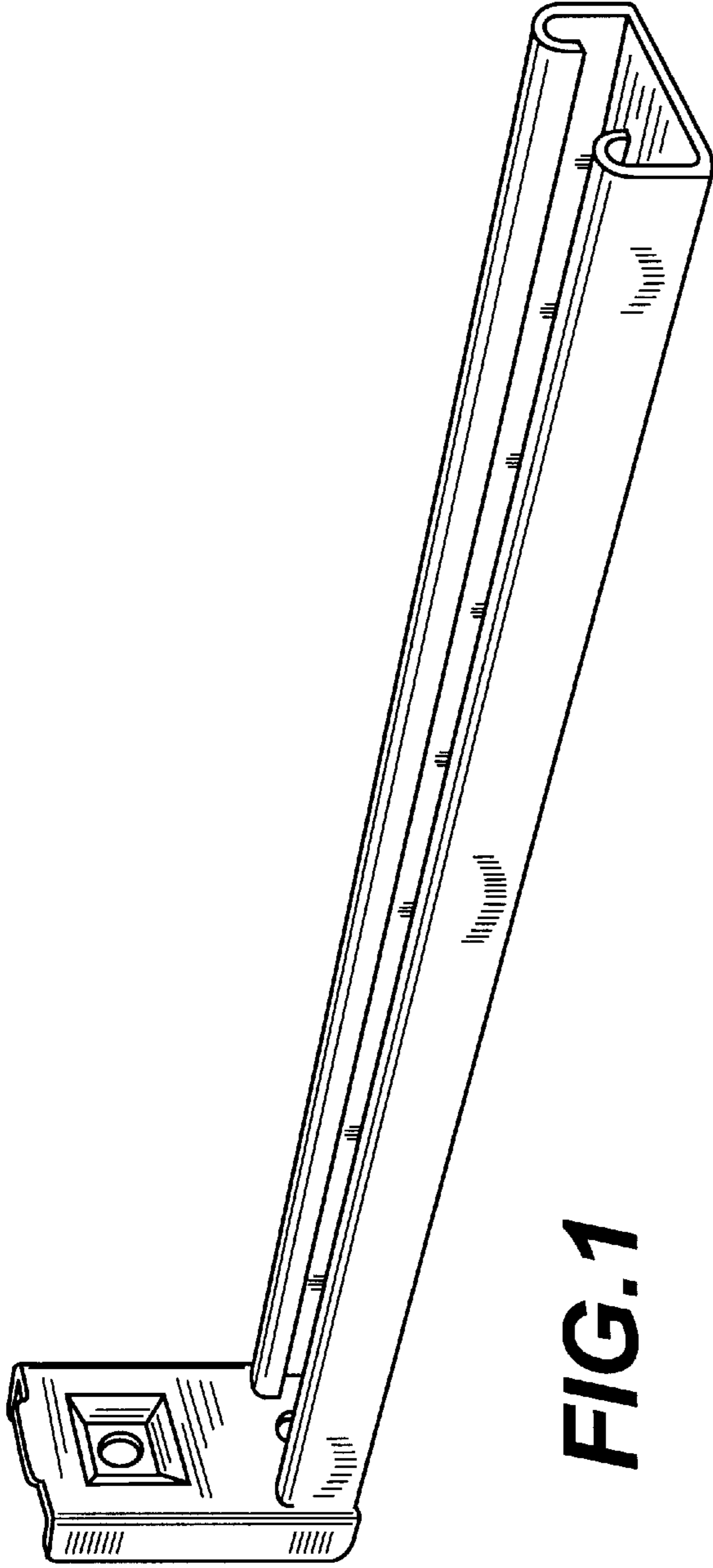


FIG. 1

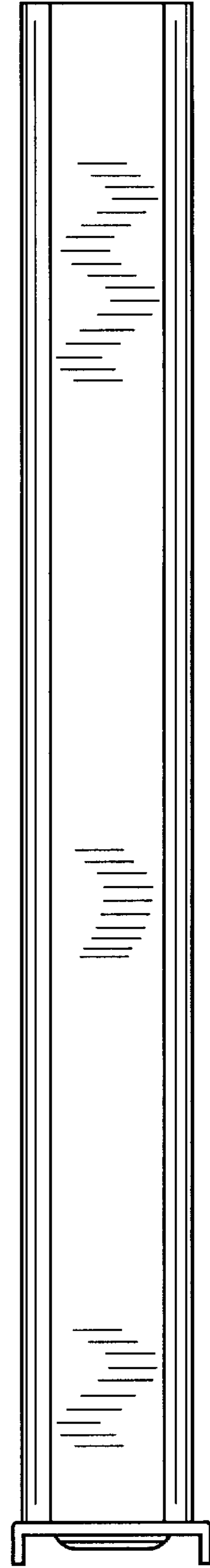


FIG. 2

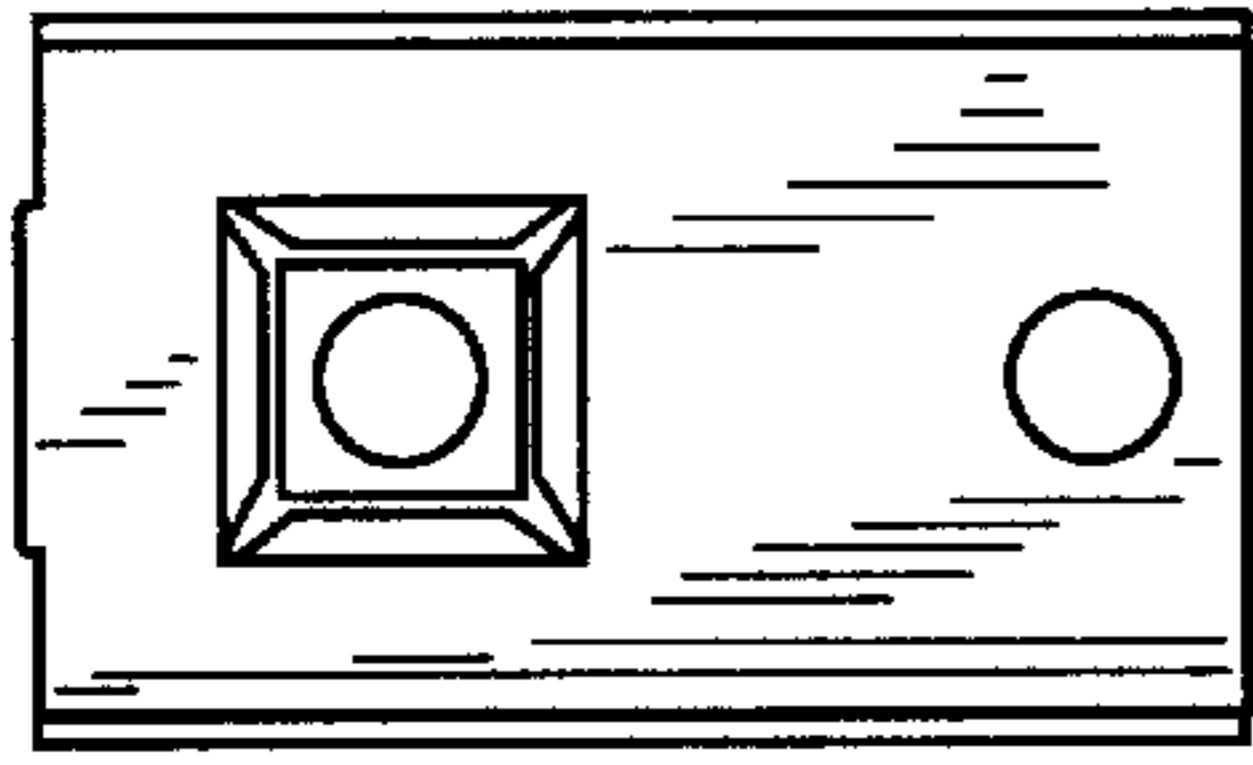


FIG. 3

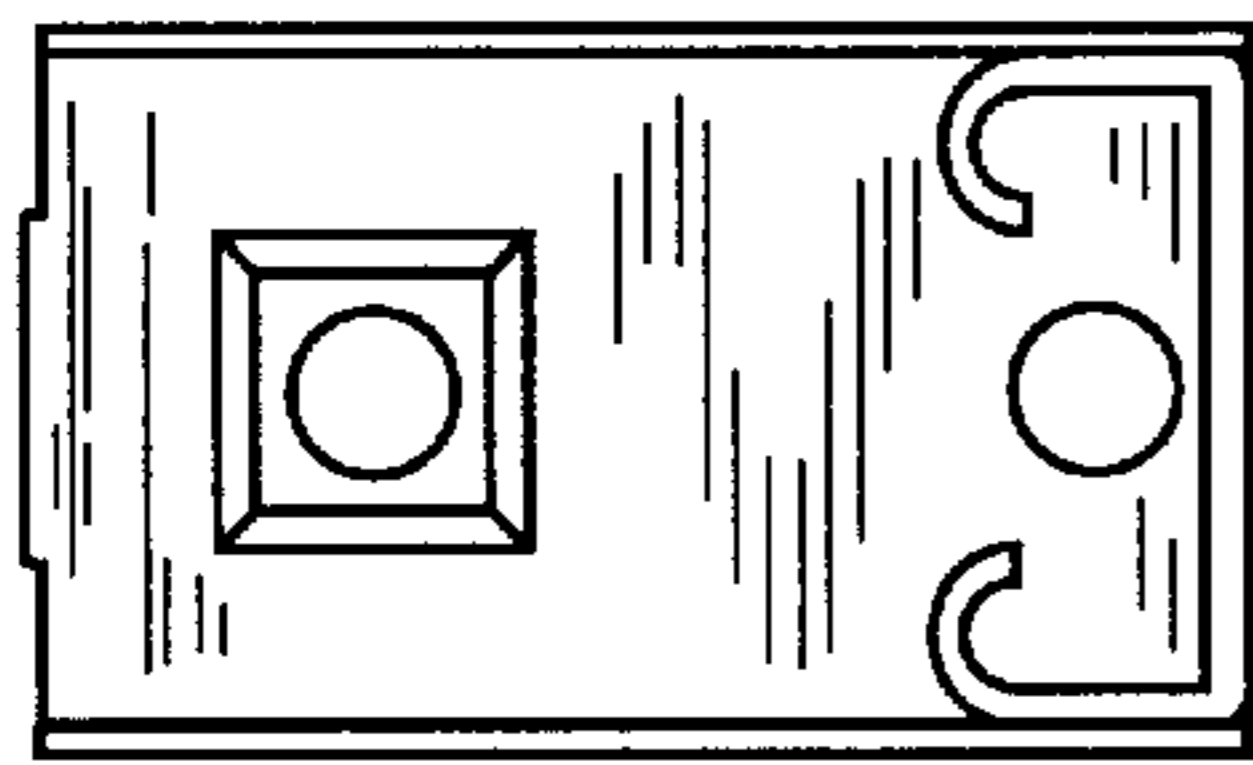


FIG. 4

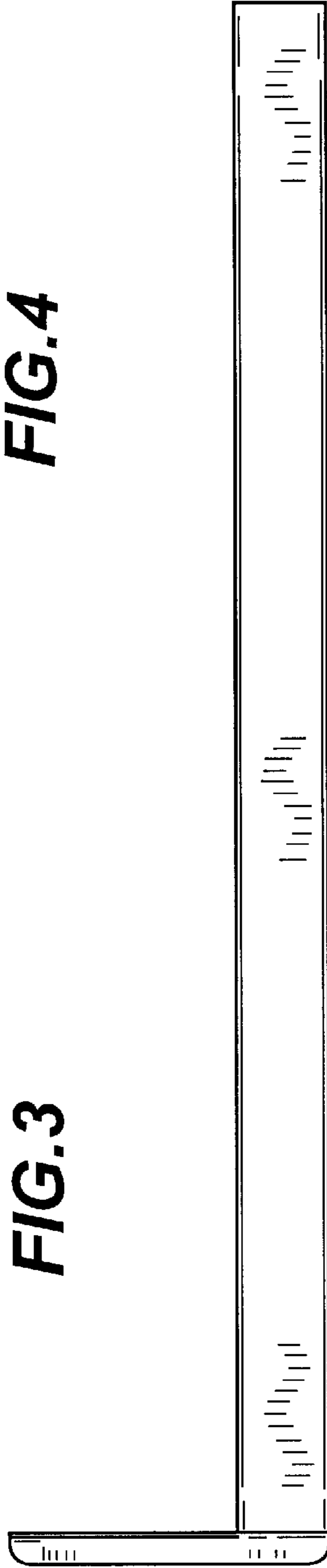


FIG. 5

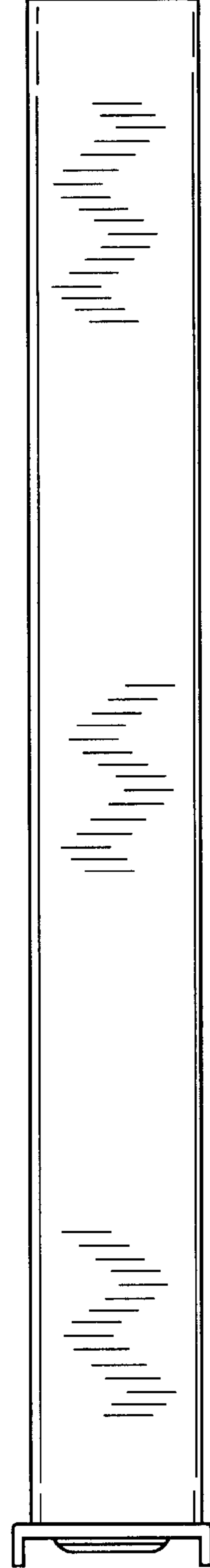


FIG. 6

UNITED STATES PATENT AND TRADEMARK OFFICE
CERTIFICATE OF CORRECTION

PATENT NO. : Des. 430,479
DATED : September 5, 2000
INVENTOR(S) : Roderick McDonald

Page 1 of 1


It is certified that error appears in the above-identified patent and that said Letters Patent is hereby corrected as shown below:

Title page,

Item [30], **Foreign Application Priority Data**, please change the application number from "1432/98" to -- 1433/98 --.

Signed and Sealed this

Eighth Day of April, 2003

A handwritten signature in black ink, appearing to read "James E. Rogan", with a horizontal line drawn underneath it.

JAMES E. ROGAN
Director of the United States Patent and Trademark Office