



US00D430476S

# United States Patent [19]

Thompson et al.

[11] Patent Number: Des. 430,476

[45] Date of Patent: \*\* Sep. 5, 2000

[54] PUTTY KNIFE

[75] Inventors: Steven L. Thompson, Bloomington, Minn.; Arlan D. Lothe, Adams, Wis.

[73] Assignee: Warner Manufacturing Company, Minneapolis, Minn.

[\*\*] Term: 14 Years

[21] Appl. No.: 29/109,476

[22] Filed: Aug. 16, 1999

[51] LOC (7) Cl. .... 08-03

[52] U.S. Cl. .... D8/99; D8/45

[58] Field of Search ..... D8/98, 45; 7/105; 15/236.01; 30/162, 169

### [56] References Cited

#### U.S. PATENT DOCUMENTS

D. 223,401	4/1972	Meisner	.....	D8/99
D. 240,699	7/1976	Gerson	.....	D8/99
D. 248,538	7/1978	Richards	.....	D8/99
D. 282,881	3/1986	Gringer	.....	D8/99
D. 288,898	3/1987	Ousterhout	.....	D8/99
D. 346,319	4/1994	Lavallee et al.	.....	D8/99
4,706,385	11/1987	Iten	.....	30/169
5,924,203	7/1999	Huang	.....	30/142

### OTHER PUBLICATIONS

Warner Cutlery, Warner Tools "Professional Putty Knives and Scrapers" Brochure / Exhibit A (1 sheet with double sided printing).

Warner Tools "When you sell Warner Cutlery, you sell everybody!" Brochure / Exhibit B (1 sheet with single sided printing).

Warner Tools "New Products" Brochure / Exhibit C (1 sheet with double sided printing).

Warner Tools "Safety 1<sup>st</sup> Utility Scraper" Brochure / Exhibit D (1 sheet with single sided printing).

Primary Examiner—Philip S. Hyder  
Attorney, Agent, or Firm—Merchant and Gould P.C.

### [57] CLAIM

The ornamental design for a putty knife, as shown.

### DESCRIPTION

FIG. 1 is a perspective view of a putty knife in accordance with our new design;

FIG. 2 is a top elevational view thereof;

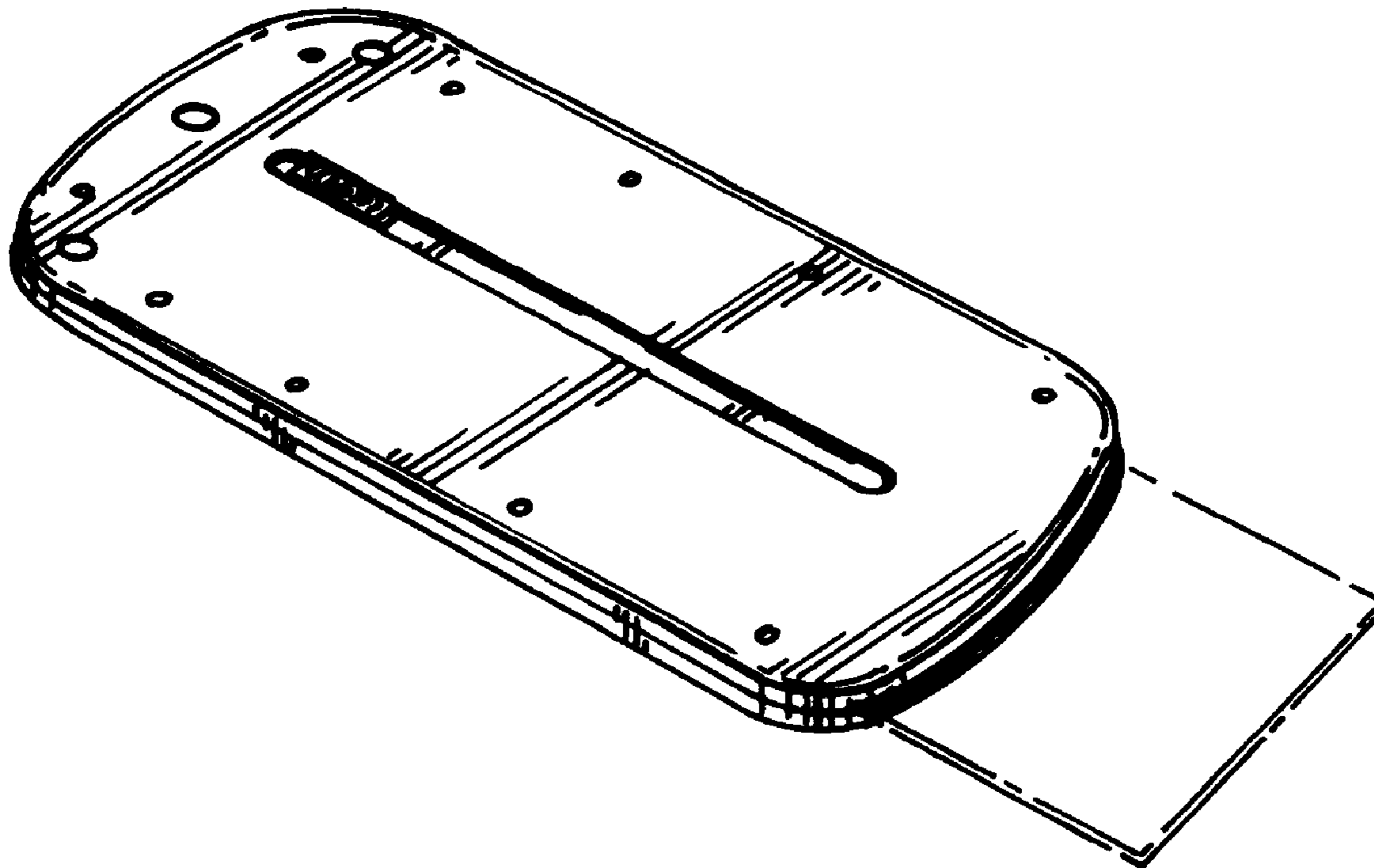
FIG. 3 is a rear elevational view thereof;

FIG. 4 is a front elevational view thereof;

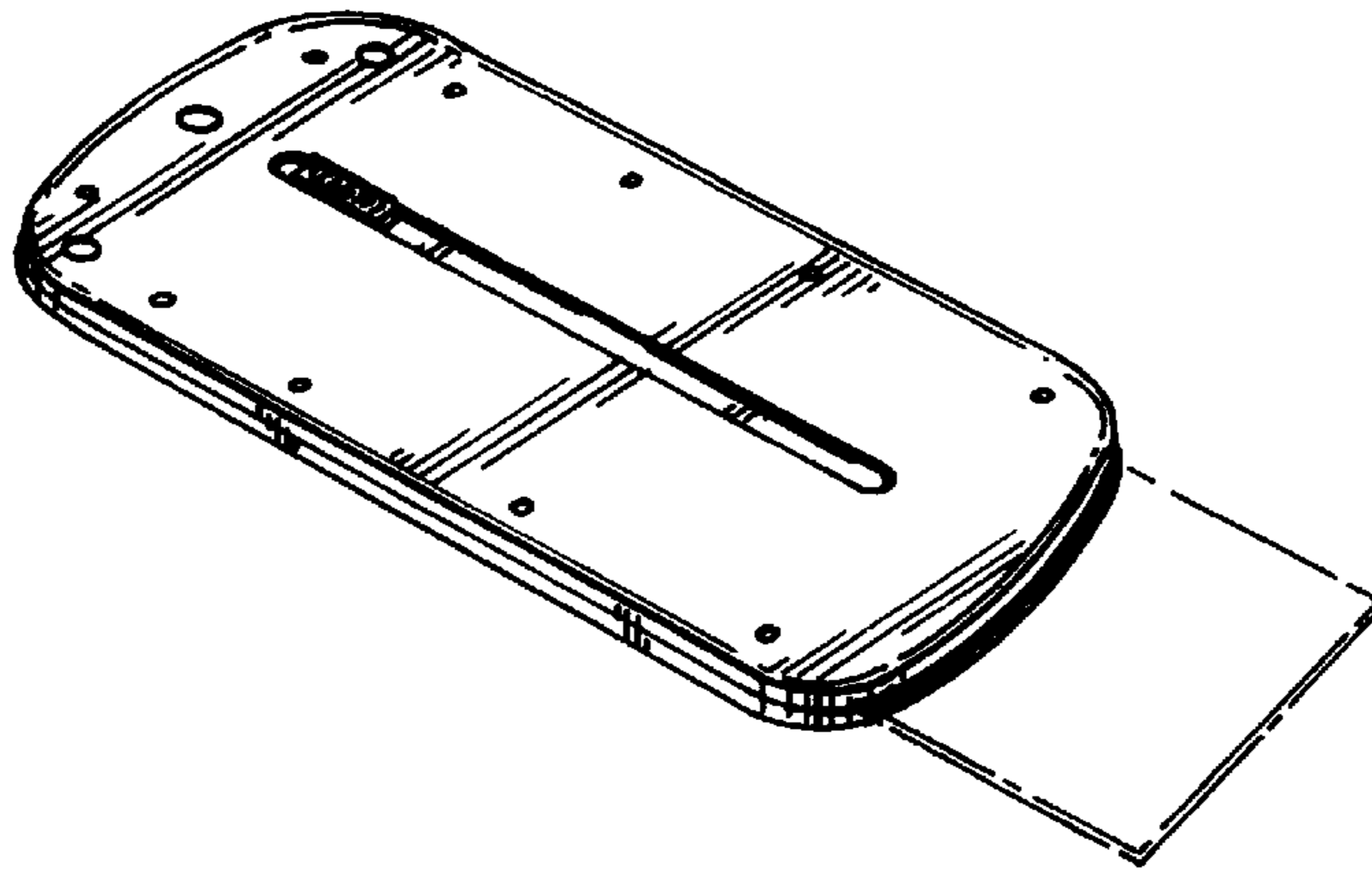
FIG. 5 is a side elevational view thereof; and,

FIG. 6 is a bottom elevational view thereof.

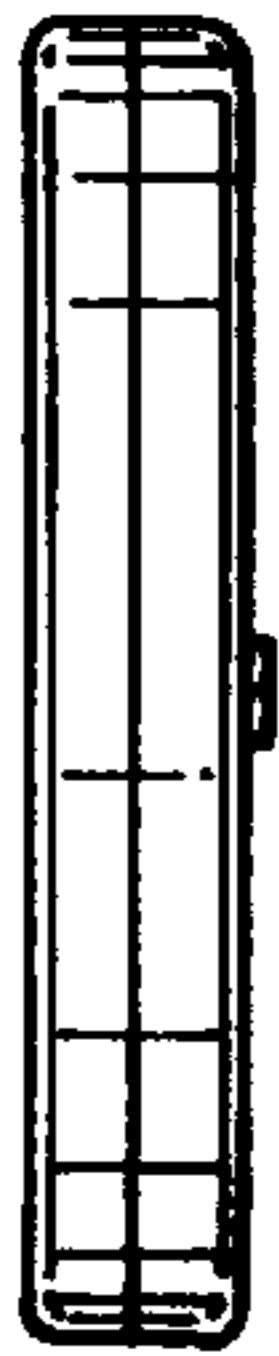
1 Claim, 1 Drawing Sheet



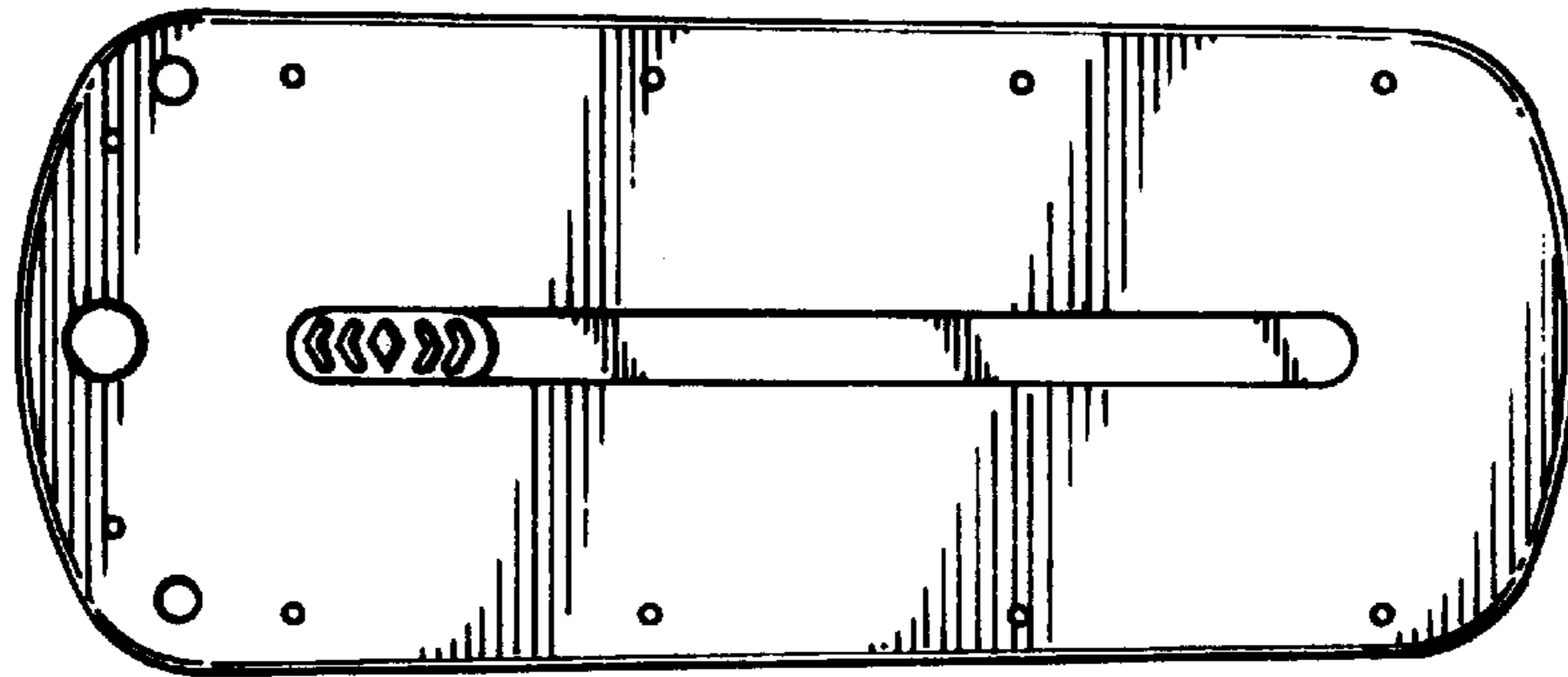
**FIG. 1**



**FIG. 3**



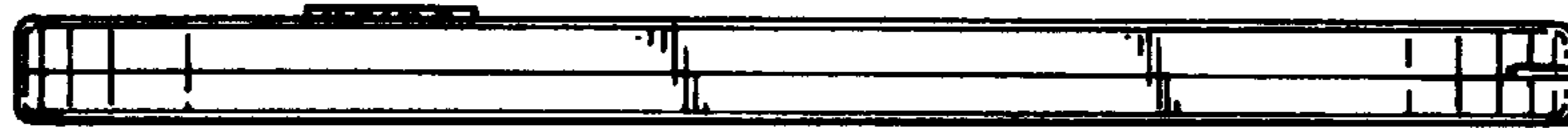
**FIG. 2**



**FIG. 4**



**FIG. 5**



**FIG. 6**

