



US00D430468S

United States Patent [19] Federighi

[11] Patent Number: **Des. 430,468**

[45] Date of Patent: **** Sep. 5, 2000**

[54] **AUTOMATIC CORK EXTRACTOR**

[76] Inventor: **George J. Federighi**, 70-13th St., San Francisco, Calif. 94103

[**] Term: **14 Years**

[21] Appl. No.: **29/110,445**

[22] Filed: **Sep. 7, 1999**

[51] **LOC (7) Cl.** **07-99**

[52] **U.S. Cl.** **D8/36**

[58] **Field of Search** D8/33-43, 18, D8/19; 30/400-443, 1.5; 81/3.07-3.49; 7/151-156; D21/720; D15/123, 199

[56] **References Cited**

U.S. PATENT DOCUMENTS

D. 212,769	11/1968	Samuels	D21/720
D. 269,894	7/1983	Hirabayashi et al.	D21/720
D. 351,635	10/1994	Sherman	D21/720
D. 355,425	2/1995	Weaver	D15/123
2,005,410	6/1935	Balz	81/3.25
2,709,936	6/1955	Brennan	81/3.2
3,867,854	2/1975	MacLeod	81/3.2
4,230,000	10/1980	Downs	81/3.2

4,358,970	11/1982	Jacobson	81/3.2
4,615,241	10/1986	Grabarski et al.	81/3.2
4,766,780	8/1988	Sechen	81/3.2
4,926,717	5/1990	Gomes	81/3.2
5,299,408	4/1994	Dupont	53/432
5,372,054	12/1994	Federighi, Sr.	
5,481,946	1/1996	Nishikawa et al.	81/3.2

Primary Examiner—Jeffrey Asch
Attorney, Agent, or Firm—Harris Zimmerman

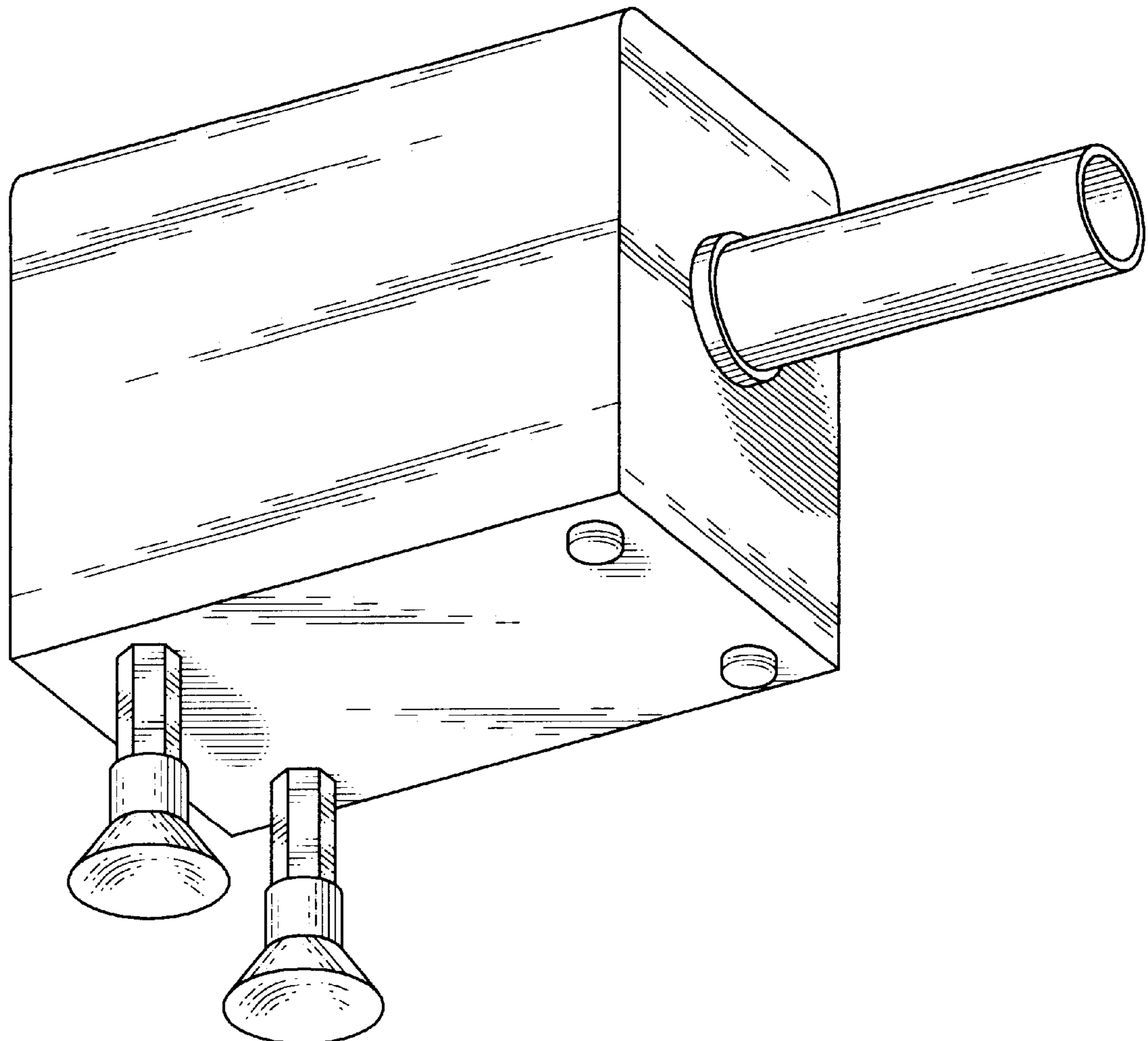
[57] **CLAIM**

The ornamental design for a automatic cork extractor, as shown and described.

DESCRIPTION

FIG. 1 is a perspective view of an automatic cork extractor showing my new design;
FIG. 2 is a rear elevational view;
FIG. 3 is a front elevational view;
FIG. 4 is a top view;
FIG. 5 is a right side view (the left side view being a mirror image thereof); and,
FIG. 6 is a bottom view.

1 Claim, 2 Drawing Sheets



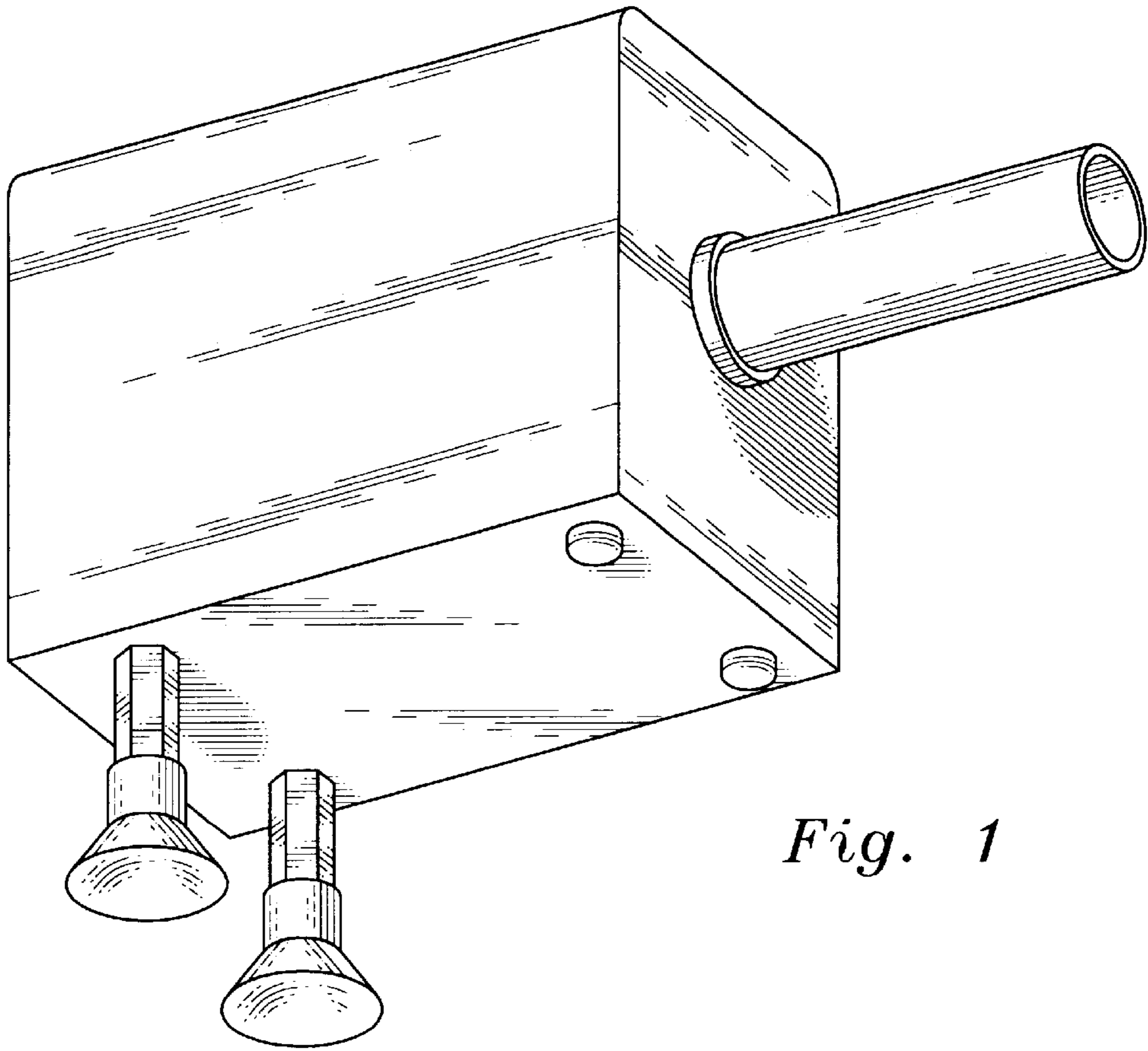


Fig. 1

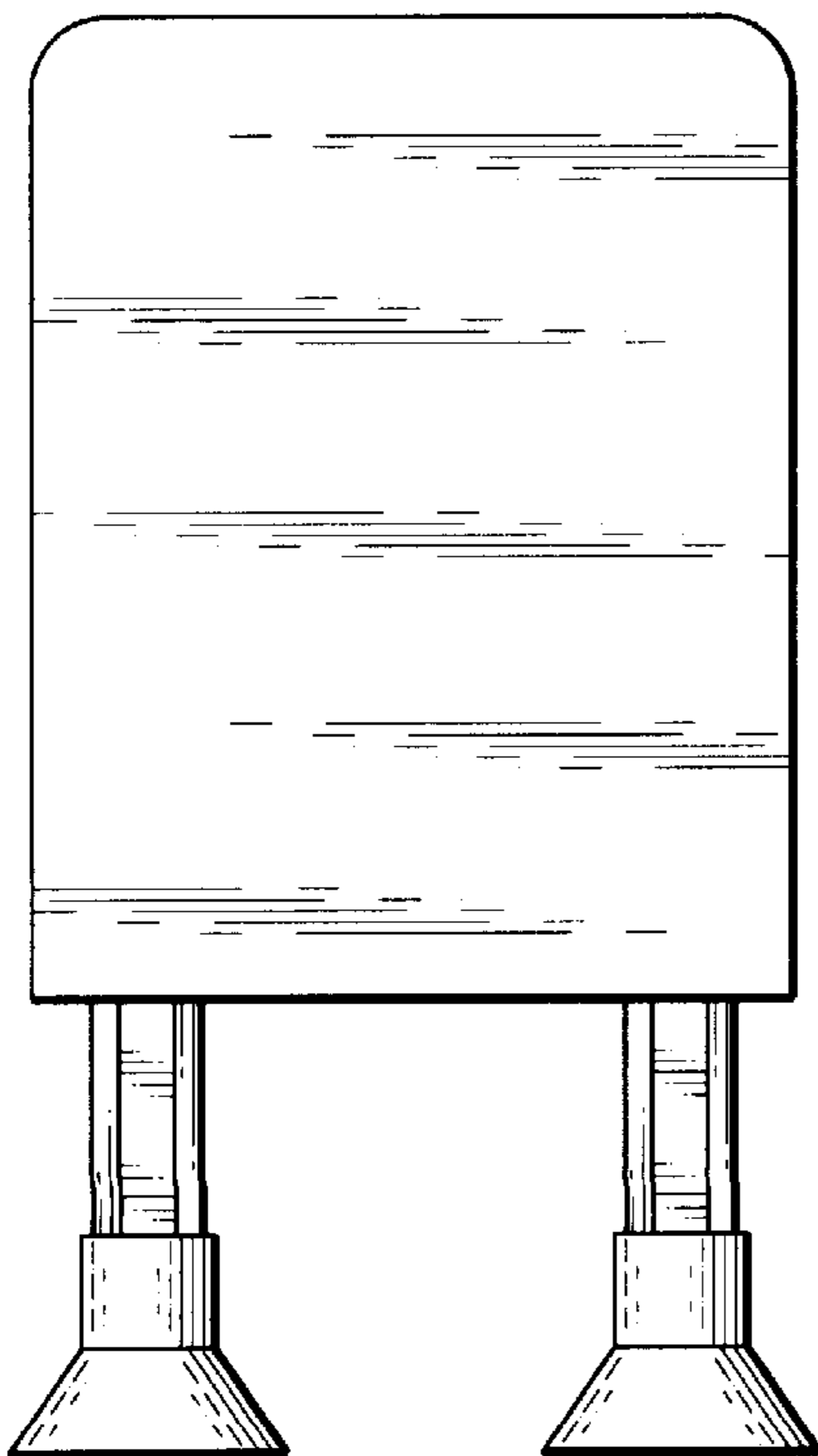


Fig. 2

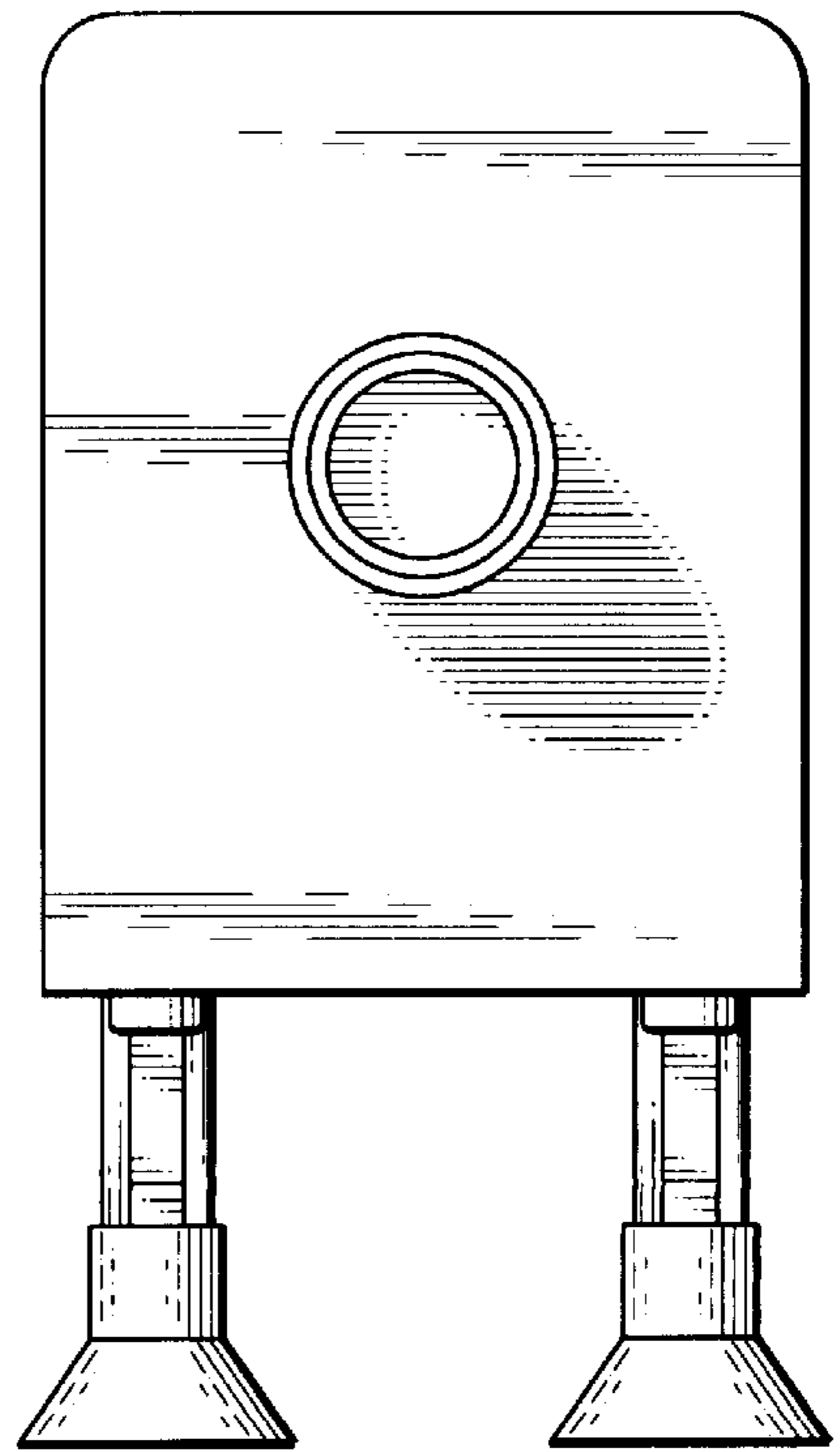


Fig. 3

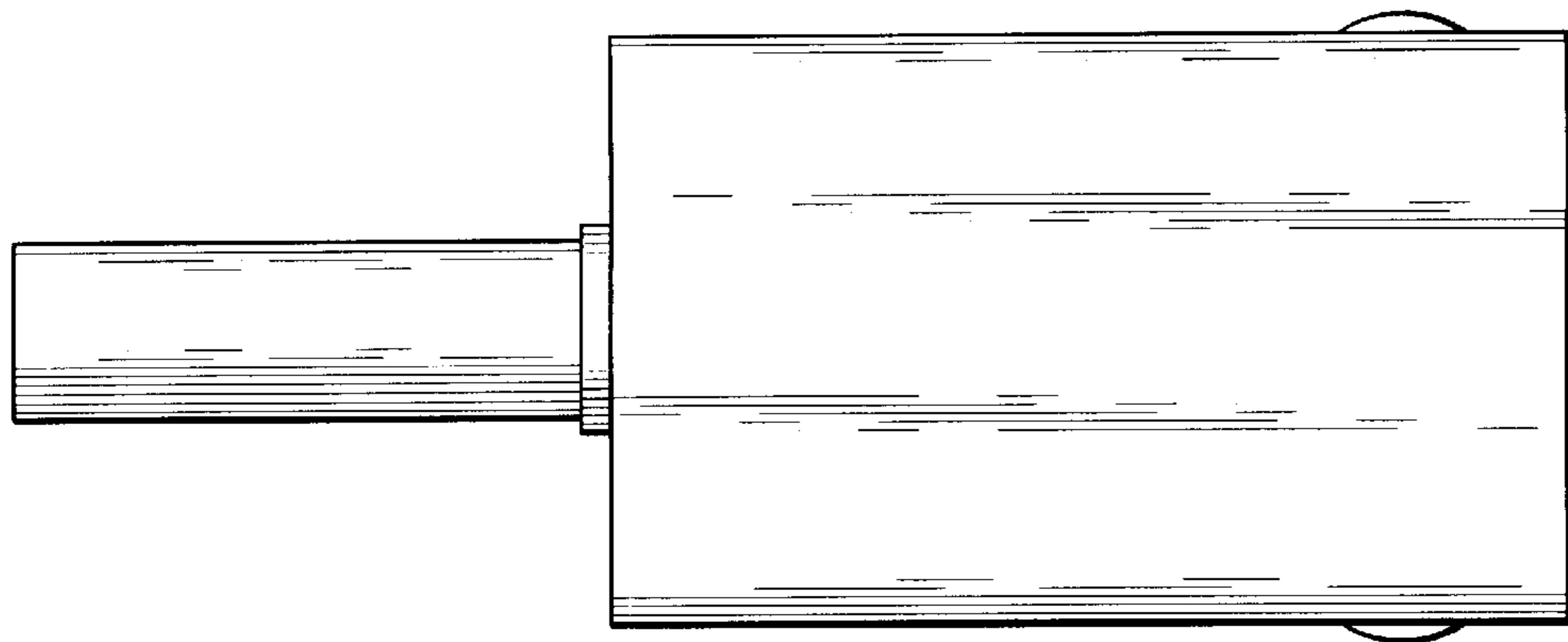


Fig. 4

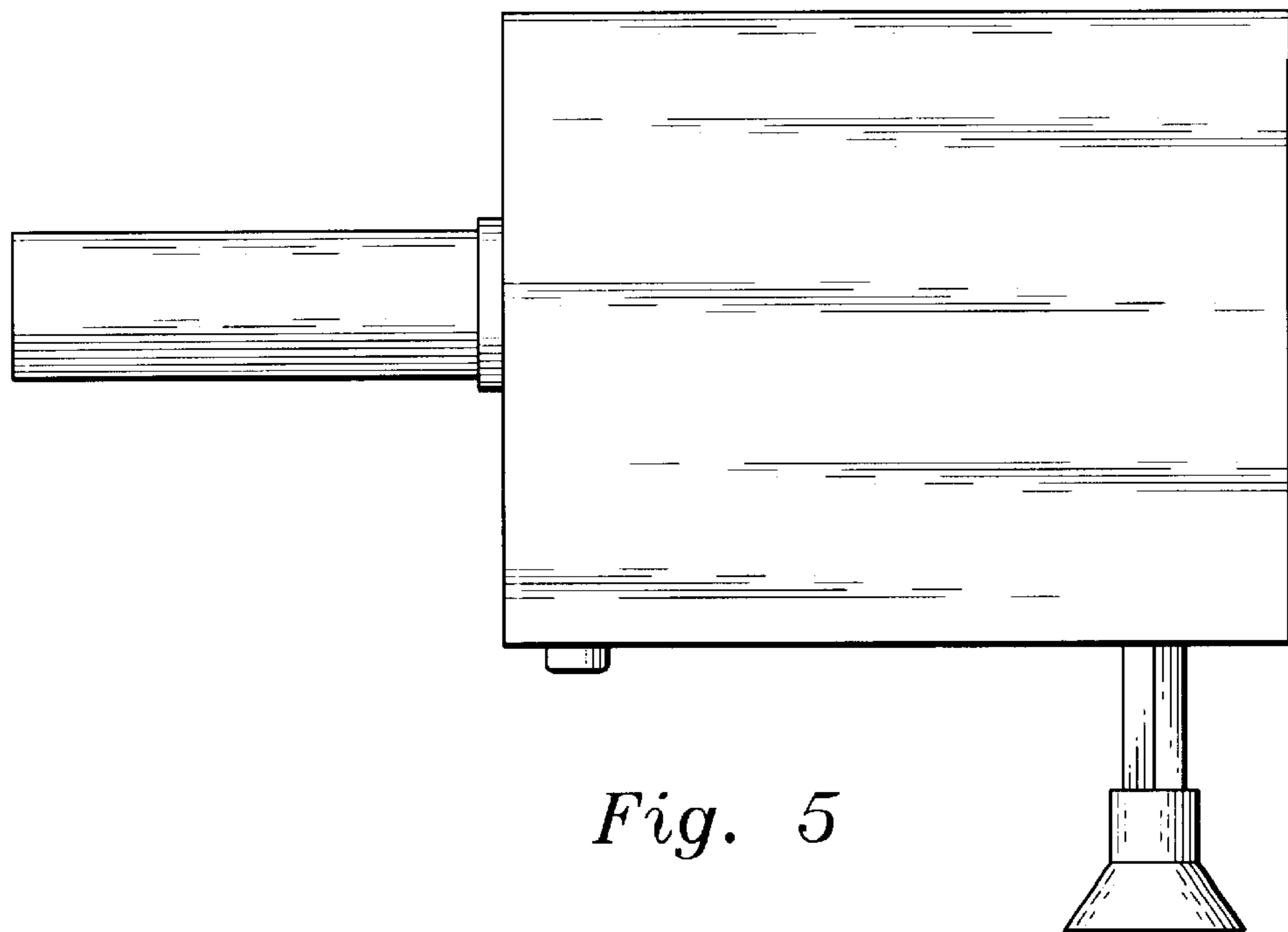


Fig. 5

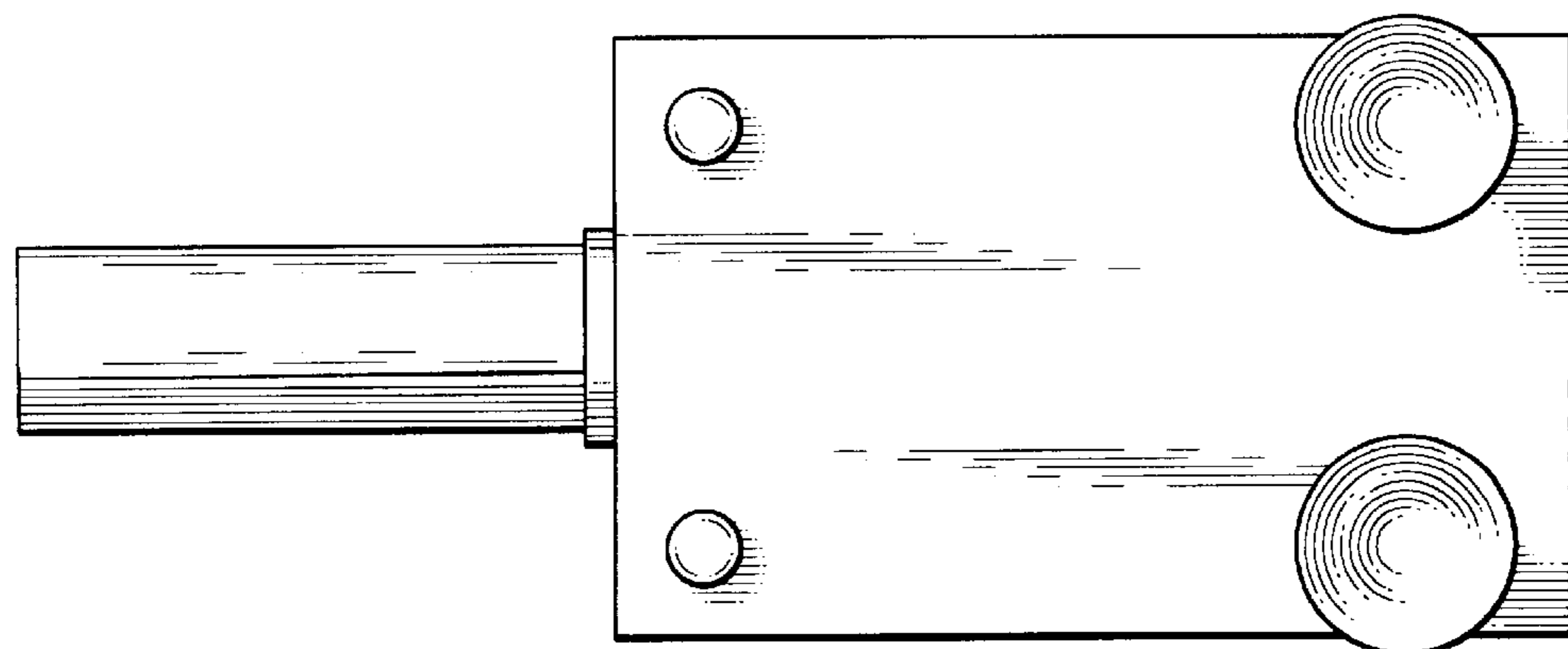


Fig. 6